



LAVATORY FAUCET

- Stiletto Collection
- **Single-Handle Lavatory Faucet**
- **1 or 3-Hole Installation**

STANDARD SPECIFICATIONS

- Low lead brass body
- Zinc handle
- 25mm ceramic cartridge
- 30.6" flexible stainless steel inlet hose with female 3/8"

compression fitting

- Neoperl aerator
- With 50/50 brass lift pop up waste
- Flow Rate: 1.2gpm @ 60psi

FINISHES INCLUDE

- Chrome (UF30600)
- PVD Brushed Nickel (UF30603)
- Oil Rubbed Bronze (UF30605)

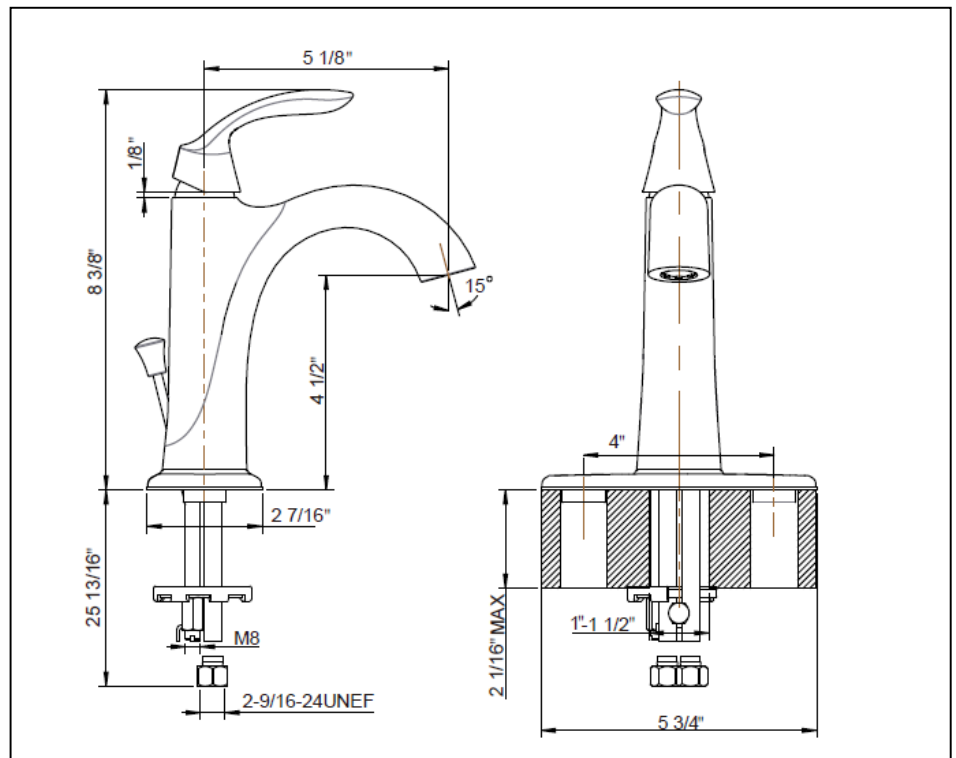
WARRANTY

- Limited lifetime warranty on workmanship and materials to the original purchaser



COMPLIES WITH

- NSF 61-9
- ASME A112.18.1
- CSA B125.1
- IAPMO/UPC/cUPC
- AB1953
- EPA WaterSense
- ADA



tel. 888-OK-ULTRA (658-5872) • fax. 949-252-9989 • <http://www.ultrafaucets.com>

This specification is provided for reference only. Ultra Faucets reserves the right to modify specifications and materials without notice or obligation.