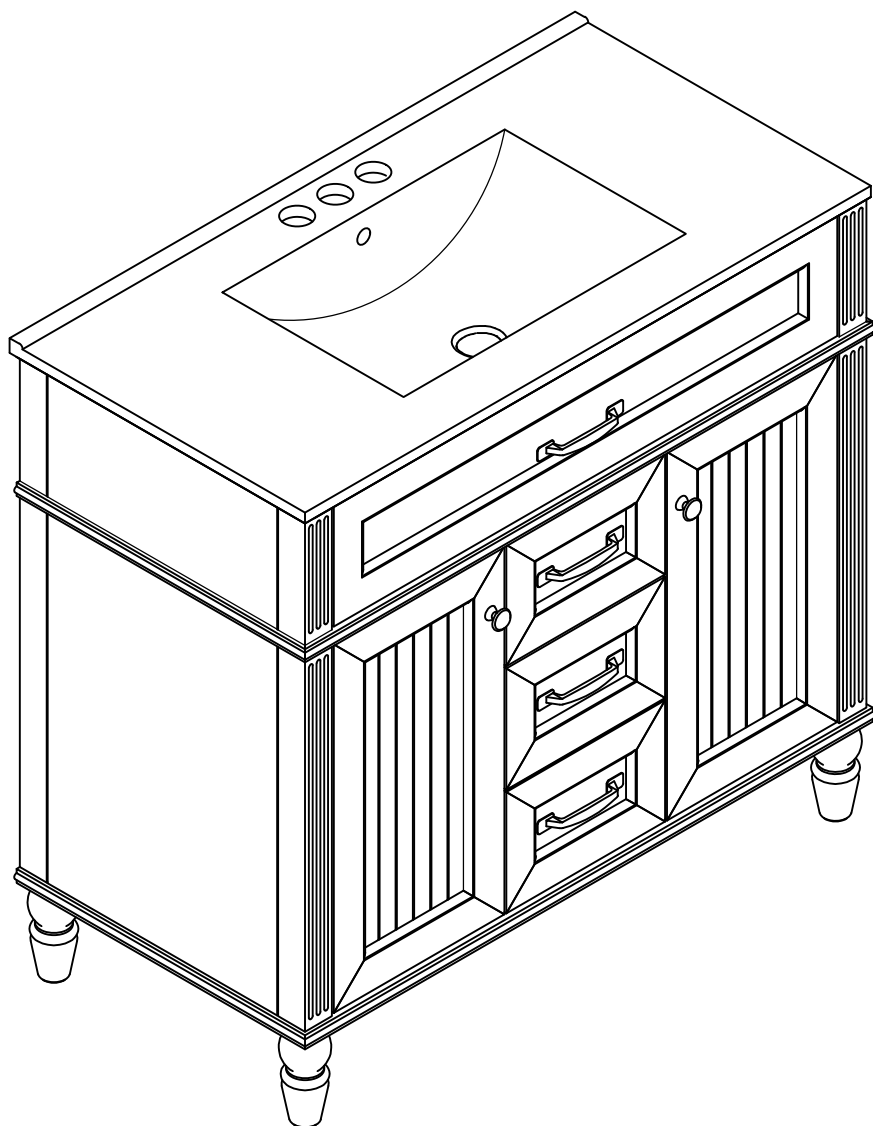


# ASSEMBLY INSTRUCTION

## 36 INCH BATH VANITY

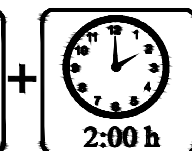
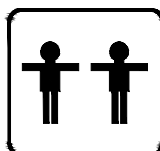
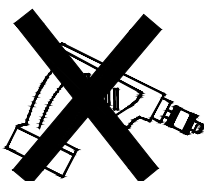


Thank you for purchasing this quality product. Be sure to check all packing material carefully for small parts which may have come loose inside the carton during shipment. Separate, identify and count all parts and hardware.

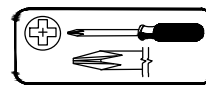
Compare with the parts list to be sure all parts are present.

**"DO NOT TIGHTEN SCREWS UNTIL COMPLETELY ASSEMBLED"**

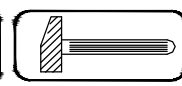
**\* Use of power tool to assemble this product will invalidate any claim and damage this product making unsafe !!!**  
**\* Please assemble on a clean soft surface to avoid damage.**



### Tools Required



(Not included)



(Not included)

**IMPORTANT:**

**PLEASE READ INSTRUCTION BEFORE STARTING THE ASSEMBLY**

Thank you for buying our products.

Please read the installation manual carefully before installation,

we need you to follow the instructions on the accessories and hardware

step by step assembly complete, our instructions are very detailed.

Products are environmentally friendly products,

Please rest assured that you do not soak in water, do not place very heavy items,

do not malicious push and pull,

if you have any problems in the process of assembly and use, please contact us.

Thank you again for your purchase of our products,

I wish you a happy life.

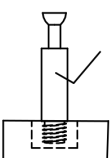
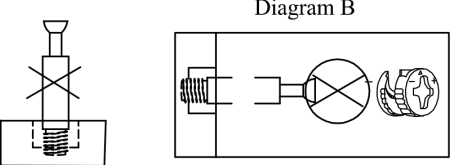
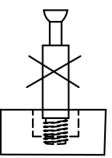
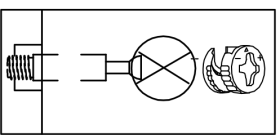
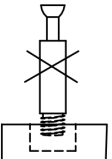
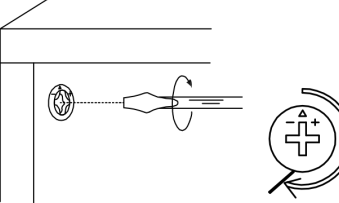
# Before Installation

Important – Please read these instructions fully before starting assembly

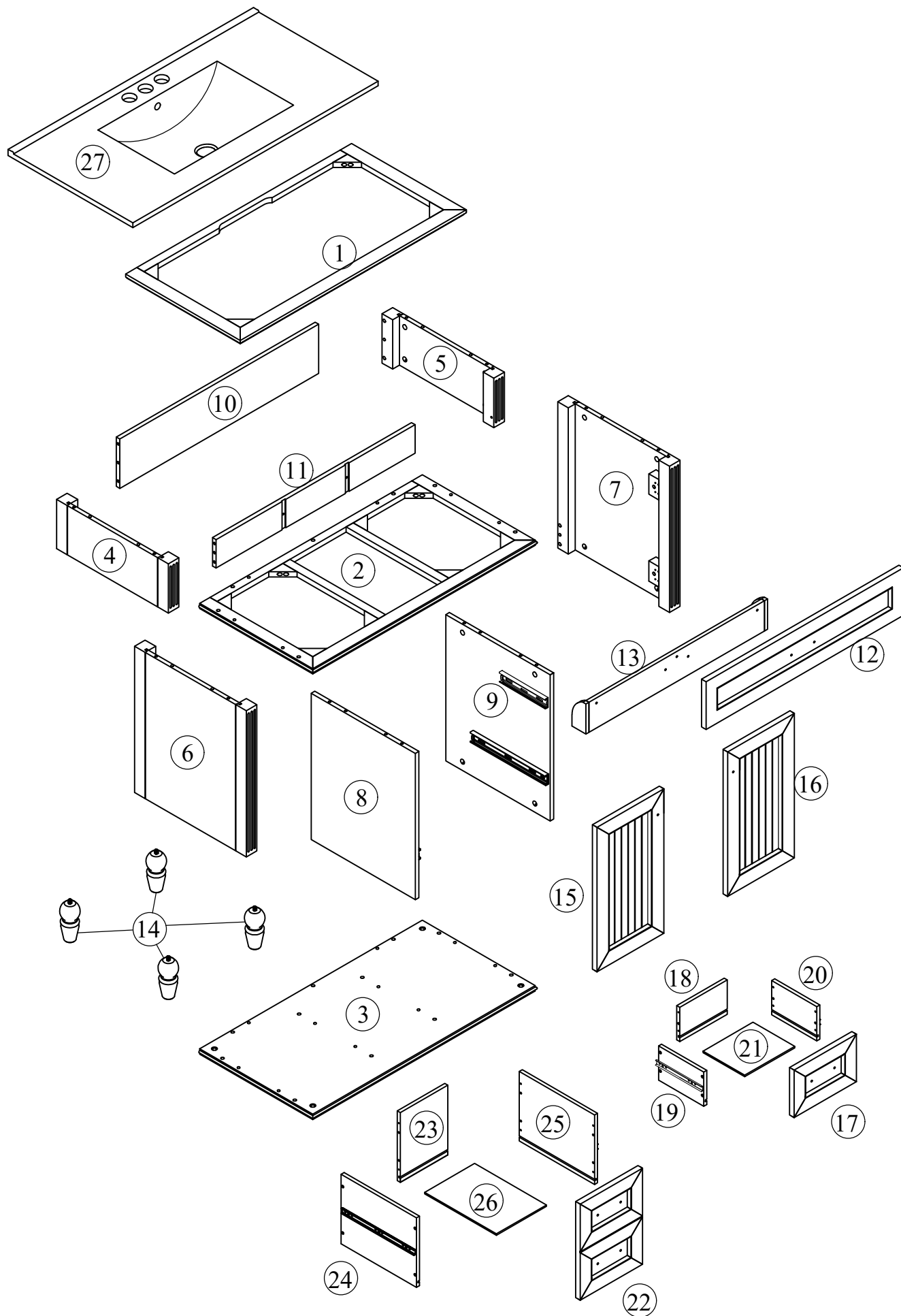
Thank you for purchasing this quality product. Be sure to check all packing materials carefully for small parts, which may have come loose inside the carton during shipment. Identify and count all items according to the PARTS LIST and/or HARDWARE LIST shown below. Check you have all the components and tools listed on the following pages.

- We recommend that you assemble this product with the assistance of another person; this will make the assembly easier, and will help eliminate damage to the product or injury to persons during assembly.
- Please do not over tighten screws or bolts until the assembly is completed.
- Keep children and animal away from the work area, small parts could choke if swallowed.
- Please put all parts on a non-abrasive floor before assembly, and follow the assembly steps to assemble your newly purchased product correctly and efficiently.

## Cam Lock Assembly Instructions

	<p>Diagram A</p>	<p>Insert Cam Bolt into hole as shown in diagram A.</p>
	<p>Diagram B</p>	<p>Make sure not to insert the Cam Bolt: Too deep as shown in figure B as this will cause the Cam Lock to be misaligned and unable to interlock properly.</p>
	<p>Diagram C</p>	<p>Also avoid inserting the Cam Bolt too close to the surface of the hole as shown in figure C, as this will cause the Cam Lock to be too loose, and not interlock properly.</p>
		<p>Connect the panels together.</p>
	<p>ARROW SIGN</p>	<p>Insert the Cam Lock so the side opening fits over the head of the Cam Bolt.</p>
		<p>To tighten the Cam Lock, turn it clockwise on half a turn with a flat screwdriver. <i>*Do not use an automatic screwdriver as it may bend or break if too much power is imposed.</i></p>

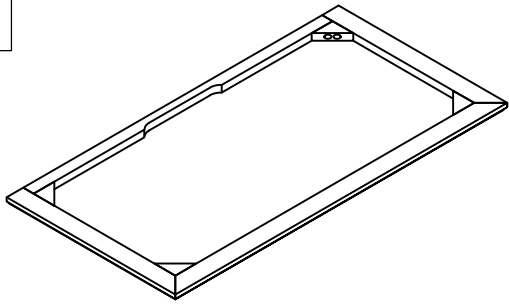
# Detail View - VANITY



**Identifying the Hardware - Identify the hardware using the illustrations below.**

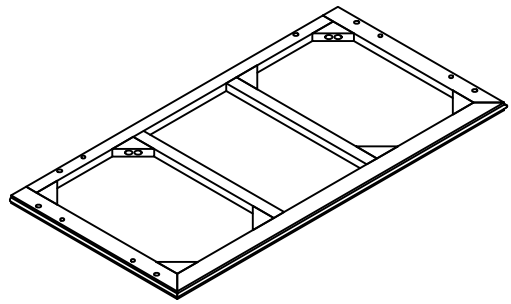
# Part List

1



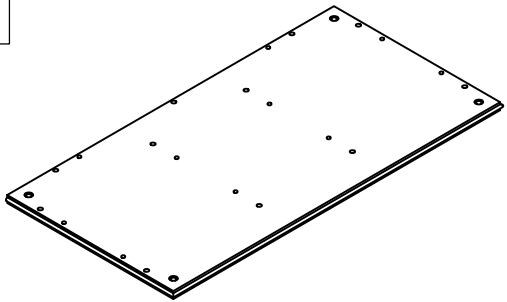
Frame Top - 1pc

2



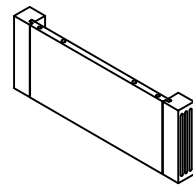
Frame Mid - 1pc

3



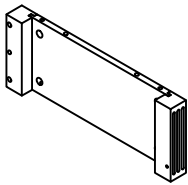
Bottom Panel - 1pc

4



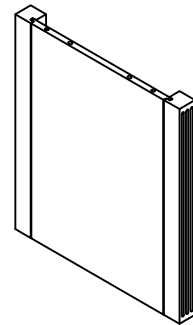
Top Side Panel (L) - 1pc

5



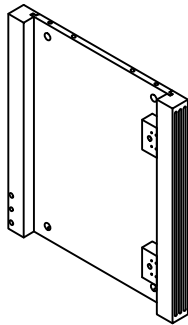
Top Side Panel (R) - 1pc

6



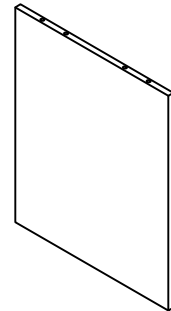
Bottom Side Panel (L) - 1pc

7



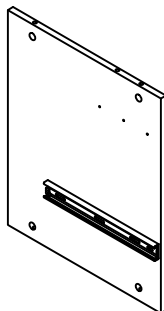
Bottom Side Panel (R) - 1pc

8



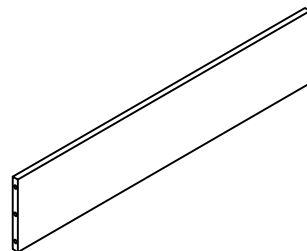
Mid Panel (L) - 1pc

9



Mid Panel (R) - 1pc

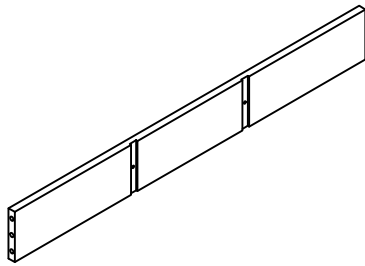
10



Top Rear Bar - 1pc

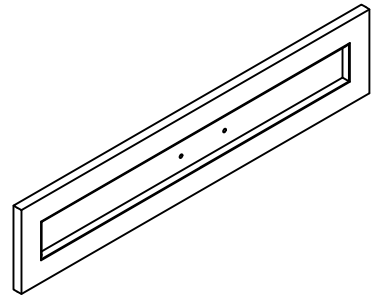
# Part List

11



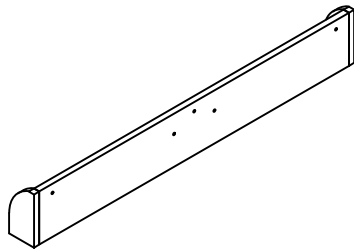
Bottom Rear Bar - 1pc

12



Flip Drawer Face - 1pc

13



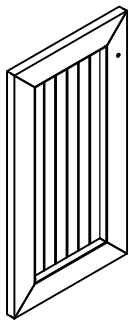
Flip Drawer - 1pc

14



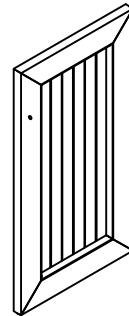
Legs- 4pcs

15



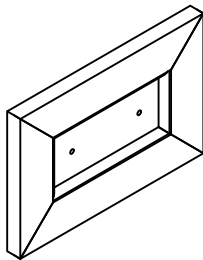
Left Door - 1pc

16



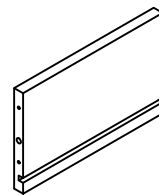
Right Door - 1pc

17



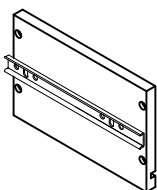
Top Drawer Face - 1pc

18



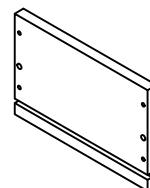
Top Back Drawer - 1pc

19



Top Side Drawer (L) - 1pc

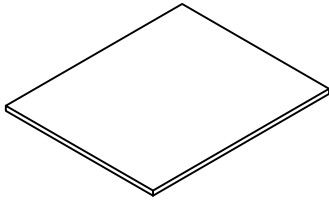
20



Top Side Drawer (R) - 1pc

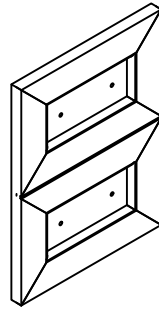
# Part List

21



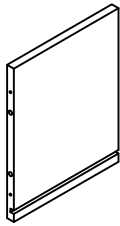
Top Bottom Drawer - 1pc

22



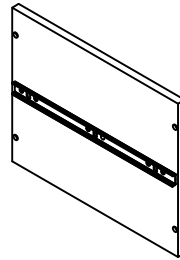
Bottom Drawer Face - 1pc

23



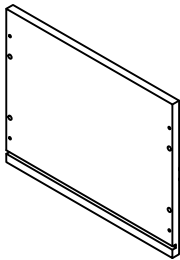
Bottom Back Drawer - 1pc

24



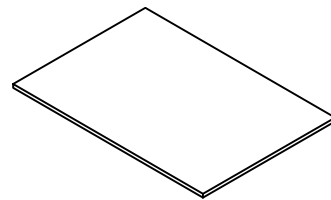
Bottom Side Drawer (1) - 2pc

25



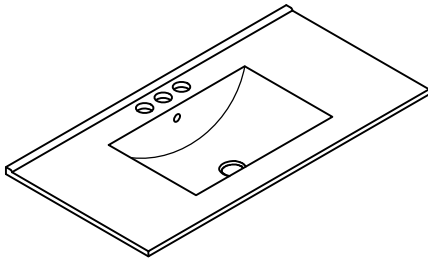
Bottom Side Drawer (R) - 1pc

26








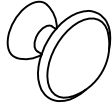
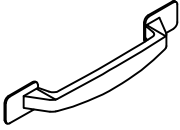
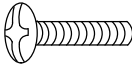
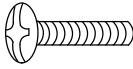
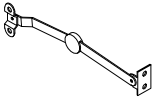
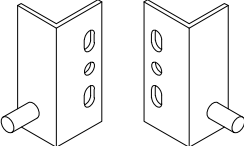

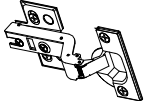
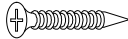


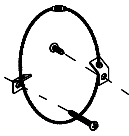
Bottom Bottom Drawer - 1pc

27

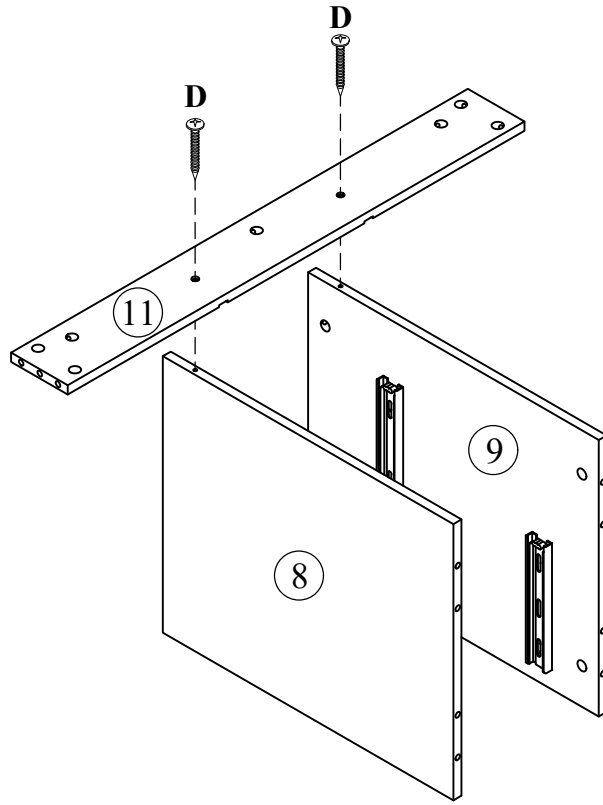


Sink - 1pc

# Hardware List

<p><b>A</b></p>  <p>ø6x35mm</p> <p>Three in one bolts - 38pcs</p>	<p><b>B</b></p>  <p>ø14.5x12mm</p> <p>Three in one lock - 38pcs</p>	<p><b>C</b></p>  <p>ø8xø4x15mm</p> <p>Round head screw - 3pcs</p>
<p><b>D</b></p>  <p>ø8xø4x25mm</p> <p>Round head screw - 2pcs</p>	<p><b>E</b></p>  <p>ø8xø4x32mm</p> <p>Round head screw - 16pcs</p>	<p><b>F</b></p>  <p>Handle - 2pcs</p>
<p><b>G</b></p>  <p>Handle - 4pcs</p>	<p><b>H</b></p>  <p>ø5/32"x25mm</p> <p>Handle screw - 8pcs</p>	<p><b>I</b></p>  <p>ø5/32"x30mm</p> <p>Handle screw - 2pcs</p>
<p><b>J</b></p>  <p>Duo Forte (1pc)</p>	<p><b>K</b></p>  <p>Rotary Hinge(2pcs)</p>	<p><b>L</b></p>  <p>ø6xø3x12mm</p> <p>Round head screw(8pcs)</p>
<p><b>M</b></p>  <p>Damping hinge - 4pcs</p>	<p><b>N</b></p>  <p>ø7xø3.5x15mm</p> <p>Flat head screw - 24pcs</p>	<p><b>O</b></p>  <p>ø8x30mm</p> <p>Wood dowel - 32pcs</p>
<p><b>P</b></p>  <p>ø6x30mm</p> <p>Wood dowel - 12pcs</p>	<p><b>Q</b></p>  <p>Anti fall hardware (2sets)</p>	

# STEP: 1

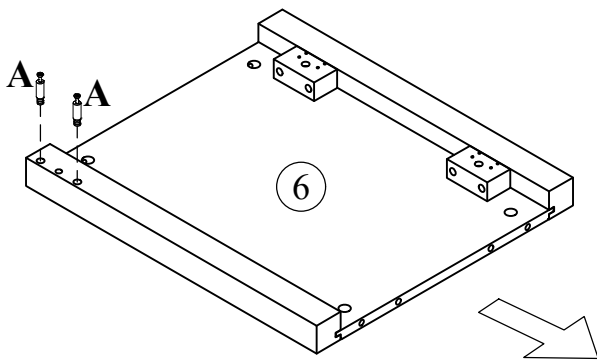


**D**

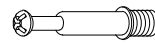


**2PCS**

# STEP: 2



**A**



**2PCS**

**B**

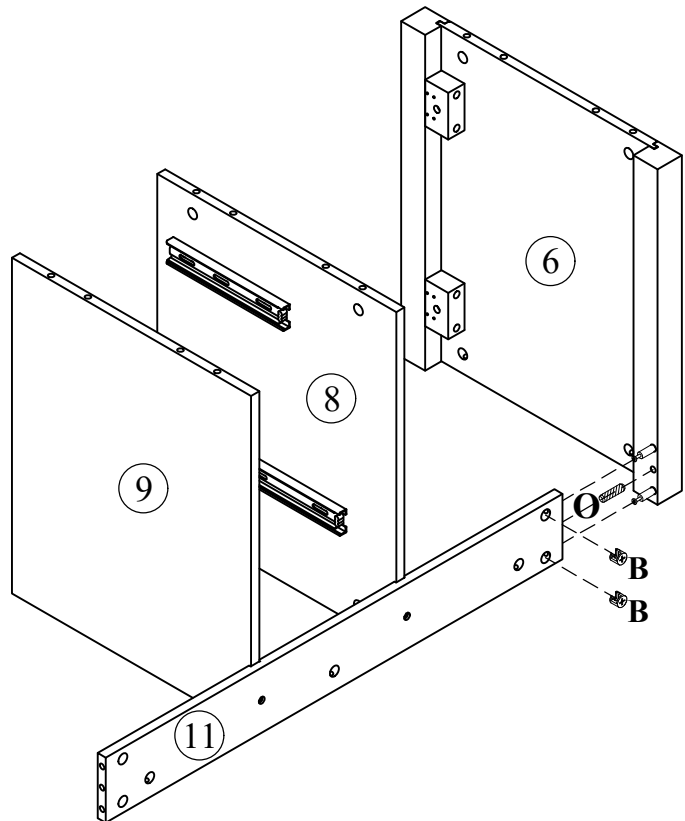


**2PCS**

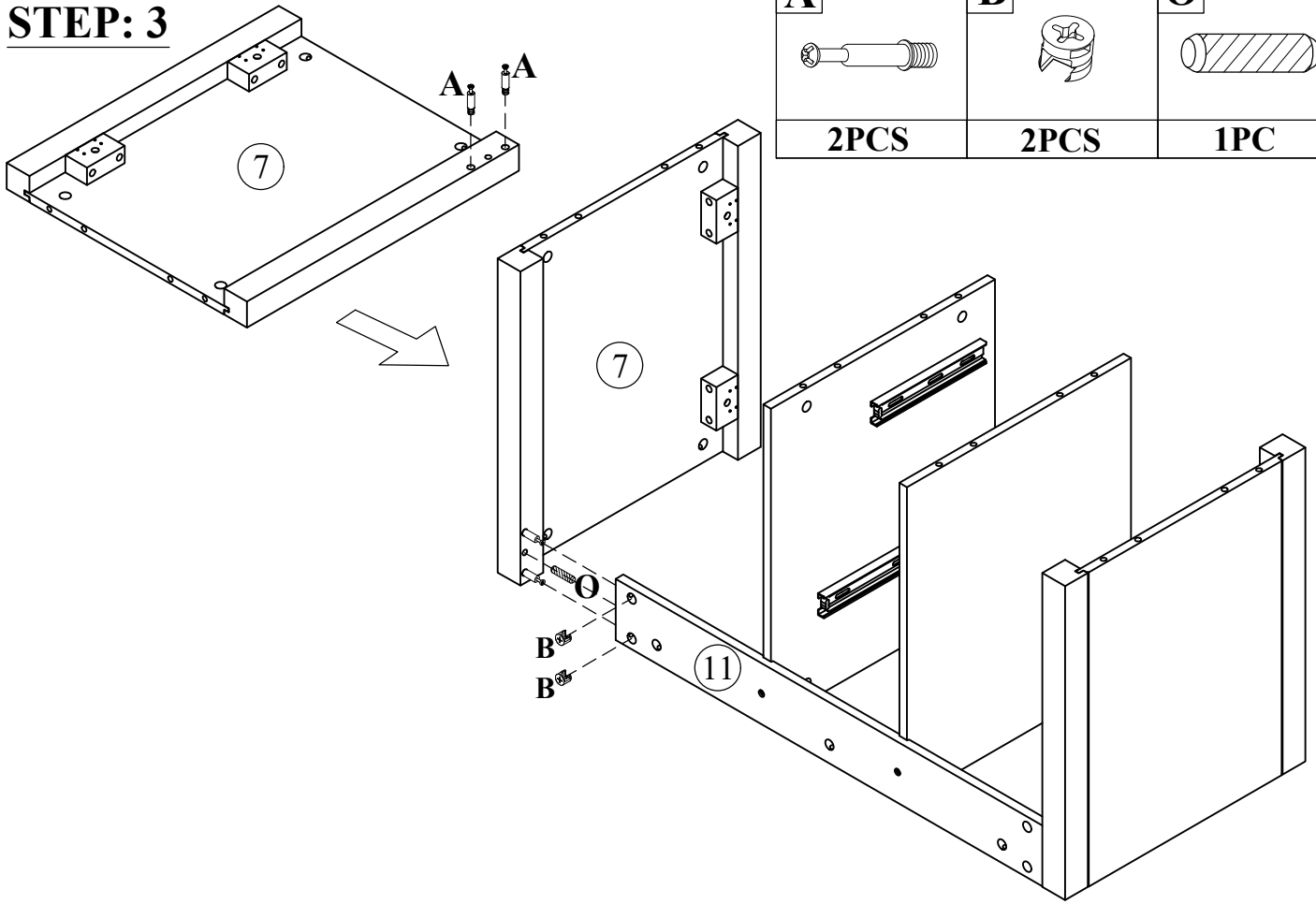
**O**



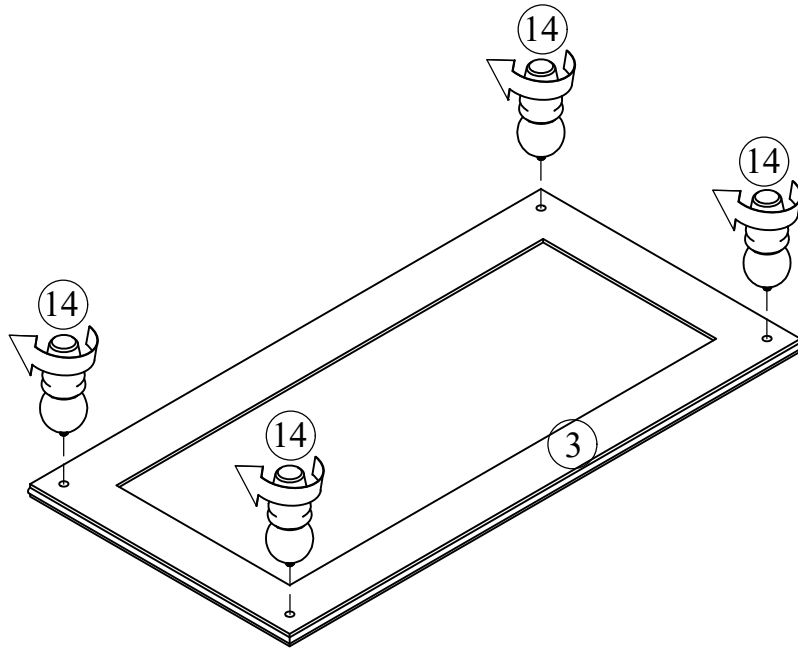
**1PC**



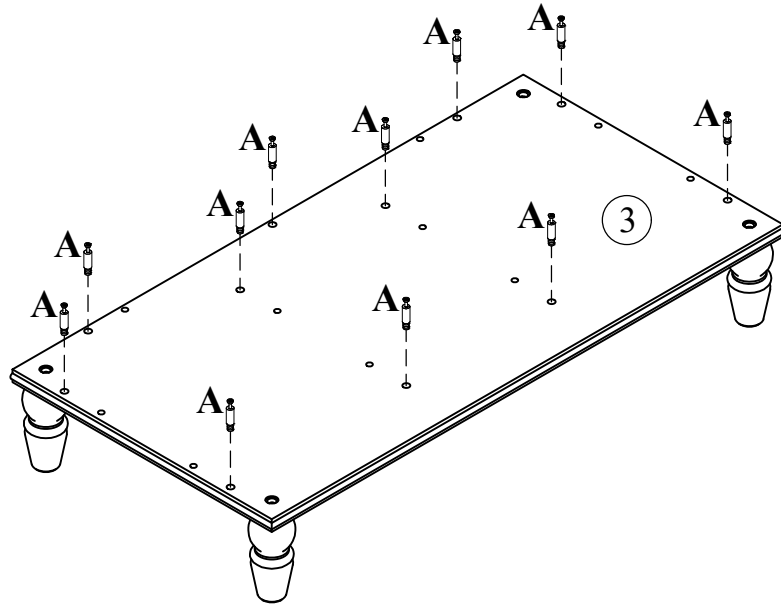
### STEP: 3

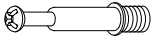


### STEP: 4

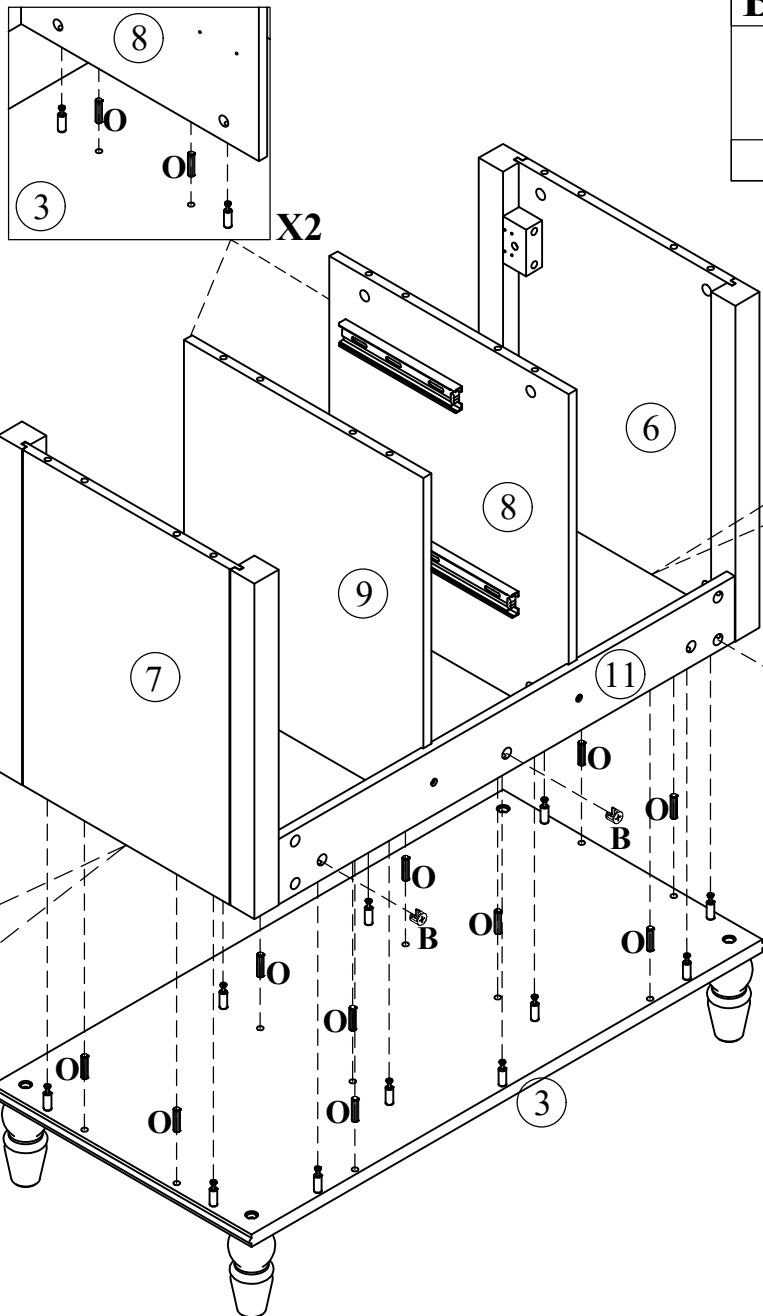



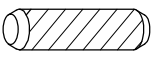
# STEP: 5




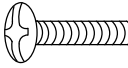
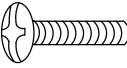

<b>A</b>

<b>11PCS</b>

# STEP: 6

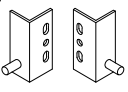


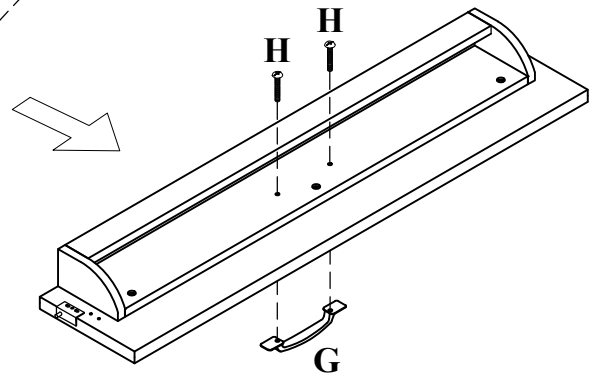
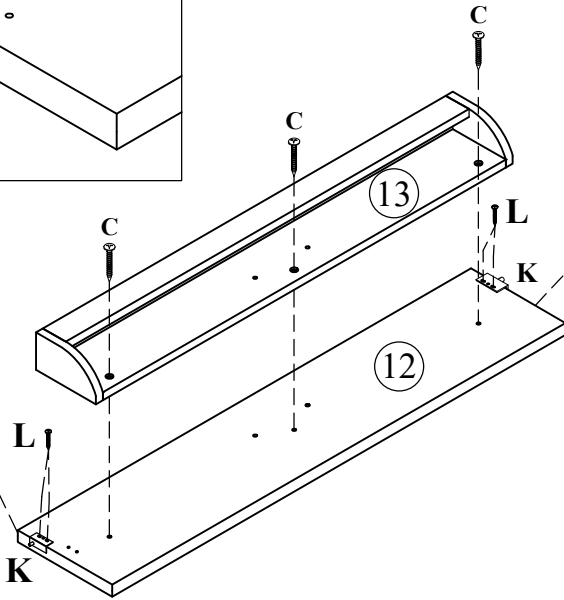
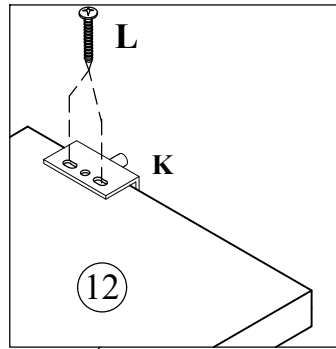
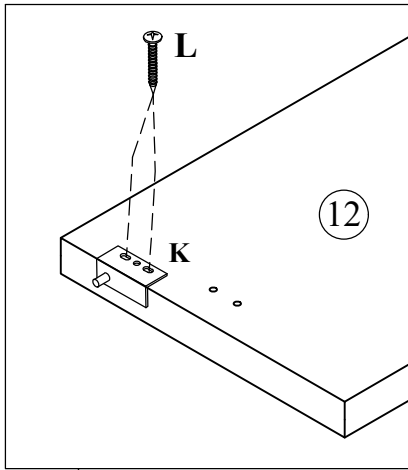
<b>B</b>	<b>O</b>
	
<b>11PCS</b>	<b>10PCS</b>

# STEP: 7

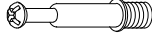

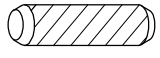
<b>L</b>	<b>H</b>	<b>G</b>	<b>C</b>
			
<b>4PCS</b>	<b>2PCS</b>	<b>1PC</b>	<b>3PCS</b>

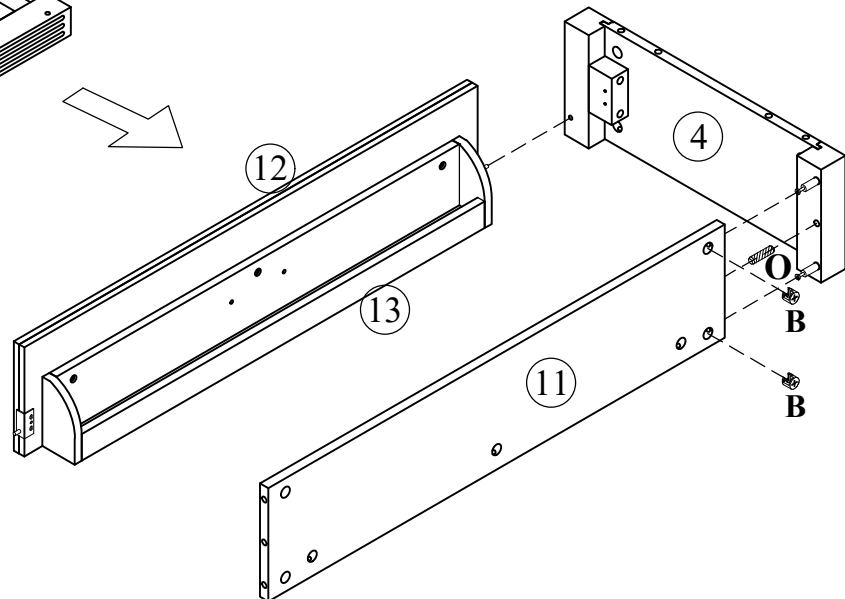
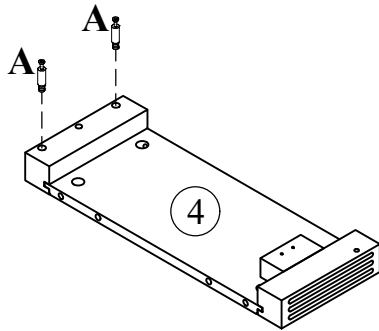
  

<b>K</b>

<b>2PCS</b>

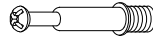




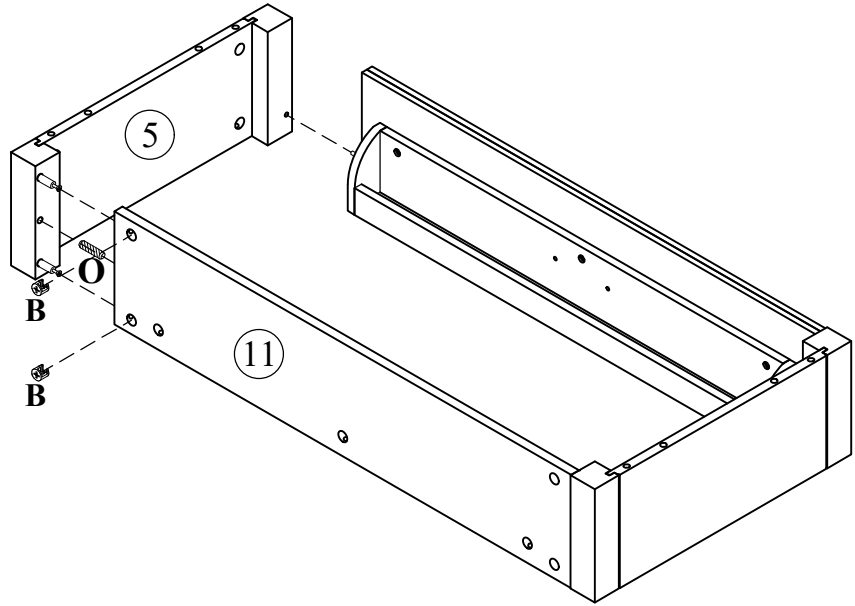
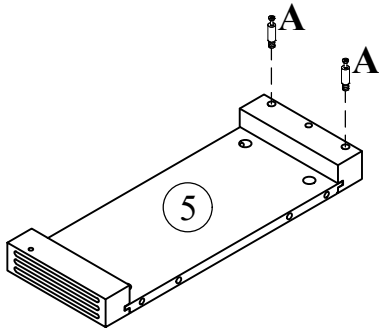
# STEP: 8

<b>A</b>	<b>B</b>	<b>O</b>
		
<b>2PCS</b>	<b>2PCS</b>	<b>1PC</b>




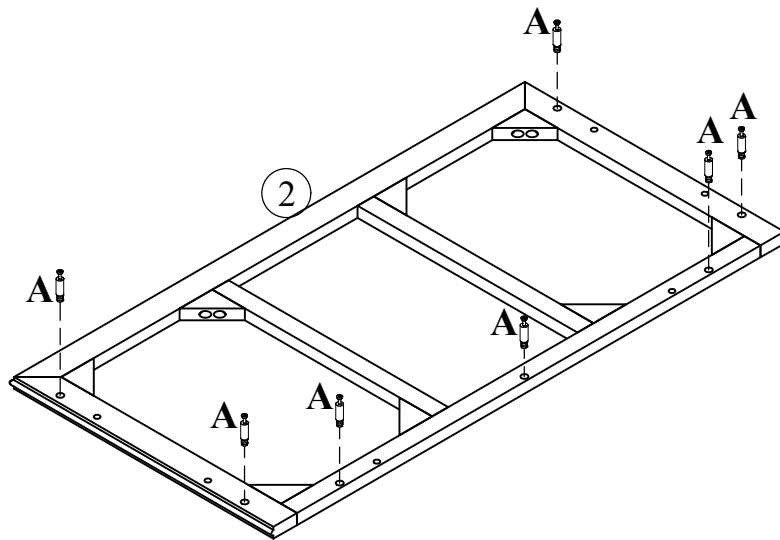
# STEP: 9

<b>A</b> 	<b>B</b> 	<b>O</b> 
<b>2PCS</b>	<b>2PCS</b>	<b>1PC</b>


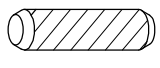


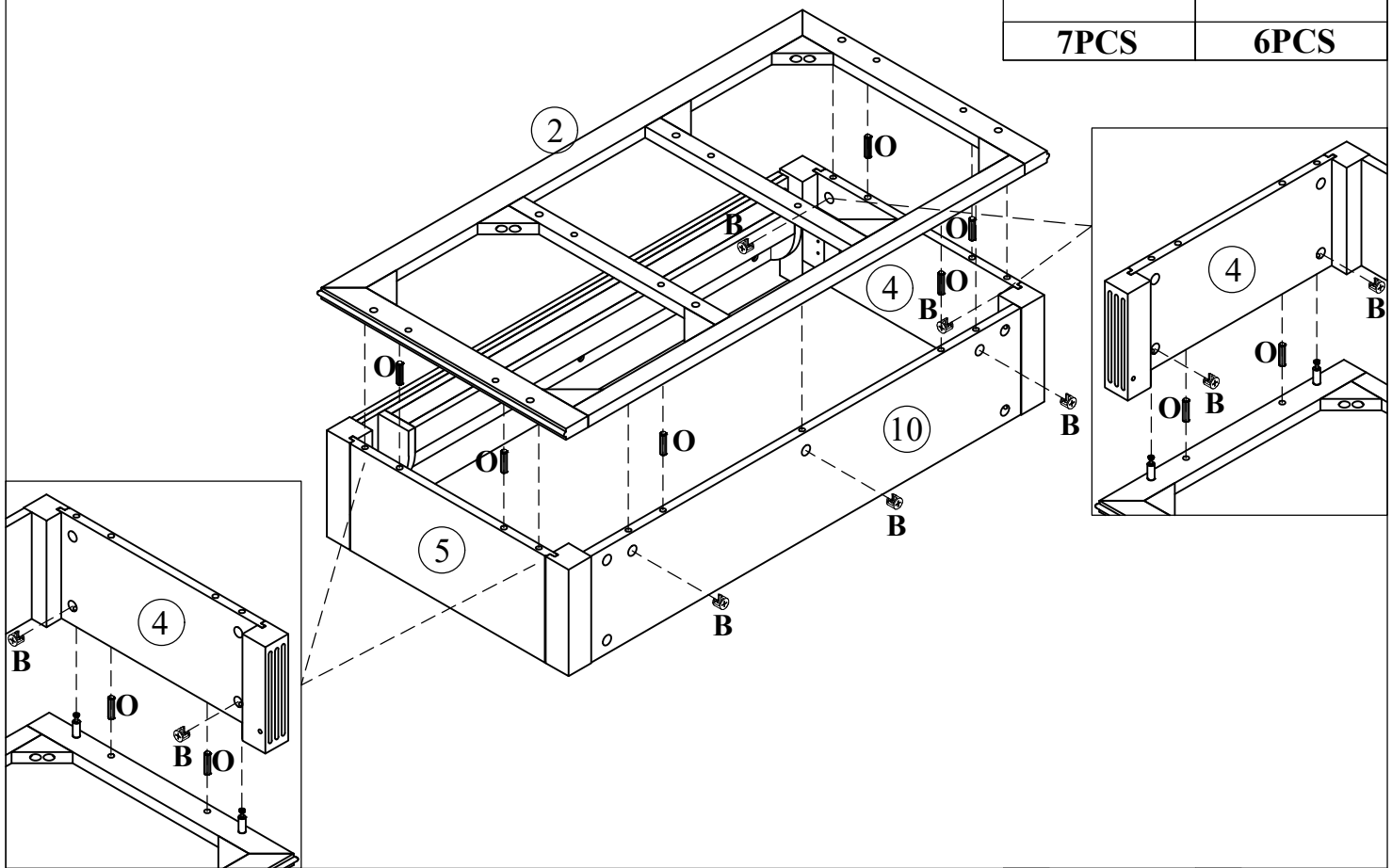
# STEP: 10

<b>A</b> 
<b>7PCS</b>


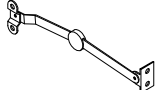


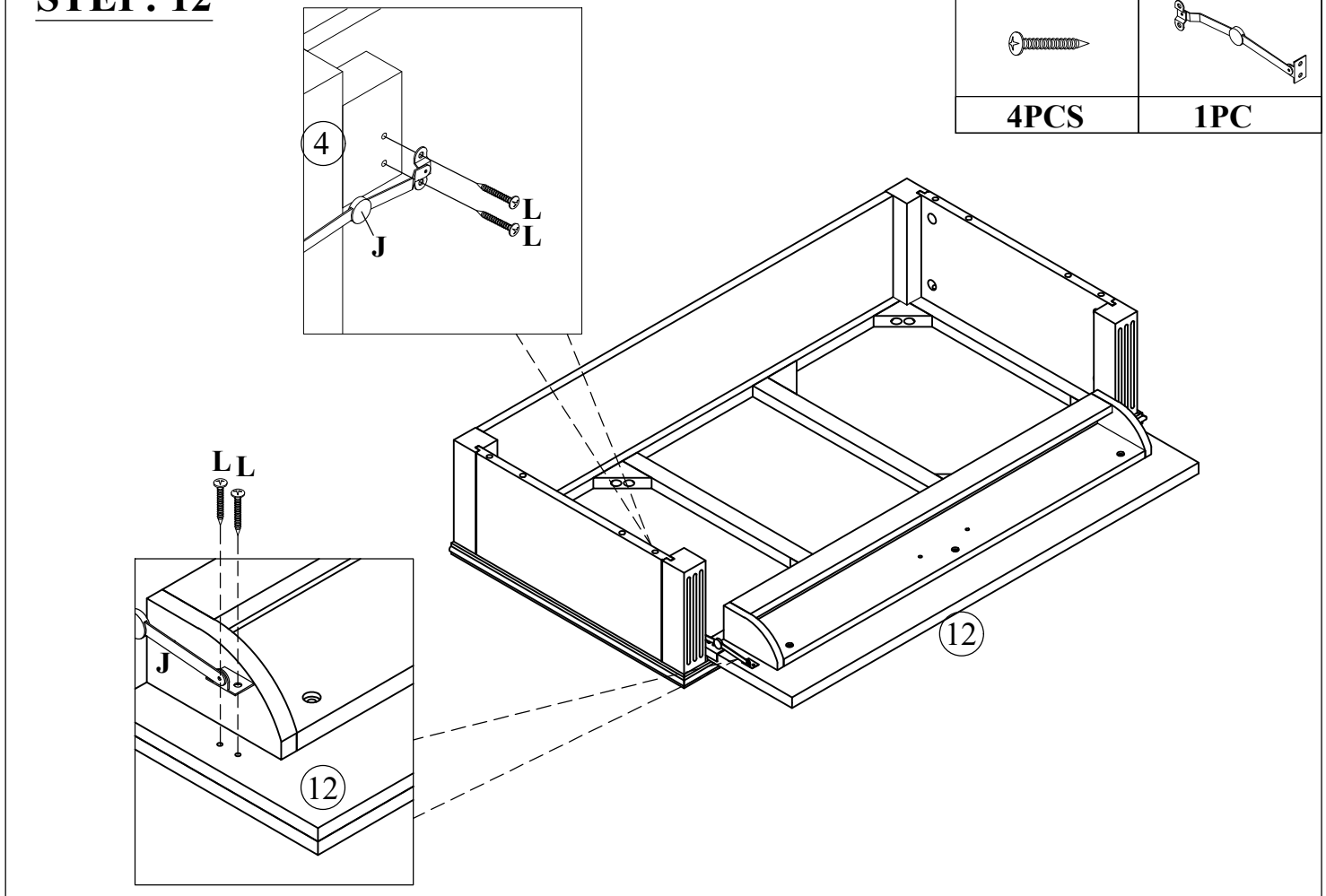
# STEP: 11

<b>B</b>		<b>O</b>	
	7PCS		6PCS

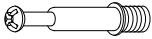


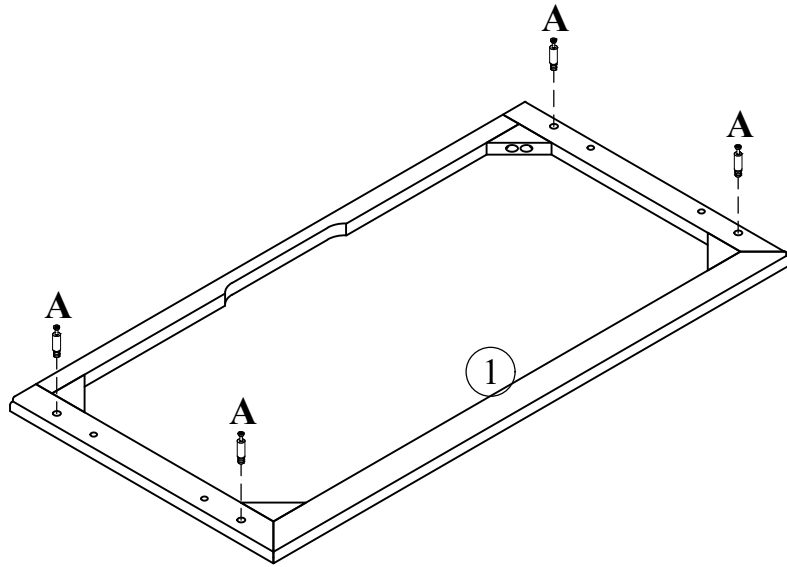
# STEP: 12

<b>L</b>		<b>J</b>	
	4PCS		1PC





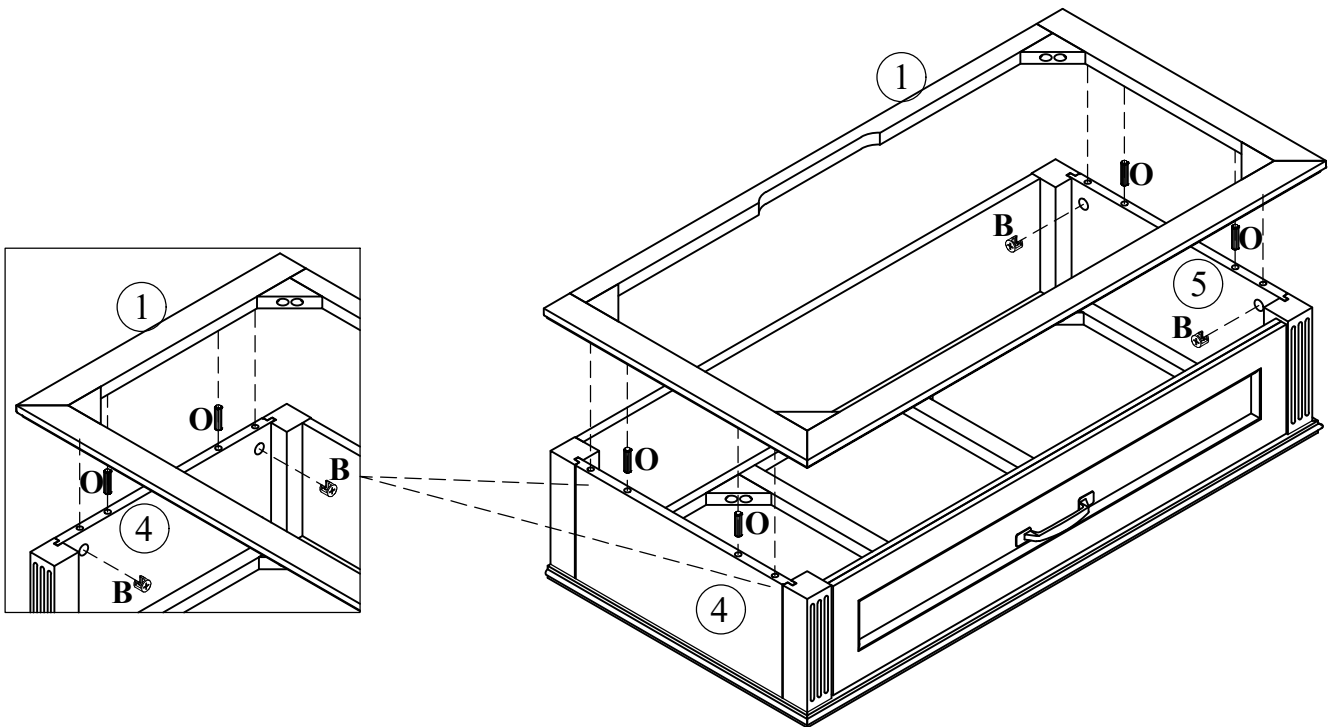
# STEP: 13

<b>A</b>

<b>4PCS</b>



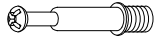
# STEP: 14

<b>B</b>	<b>O</b>
	
<b>4PCS</b>	<b>4PCS</b>

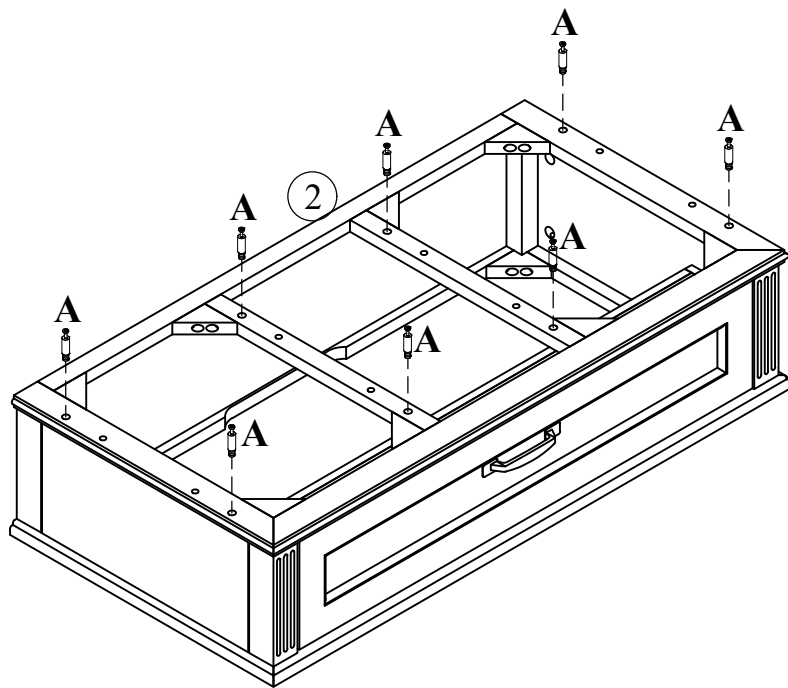


**STEP: 15**


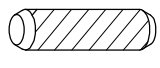
**A**

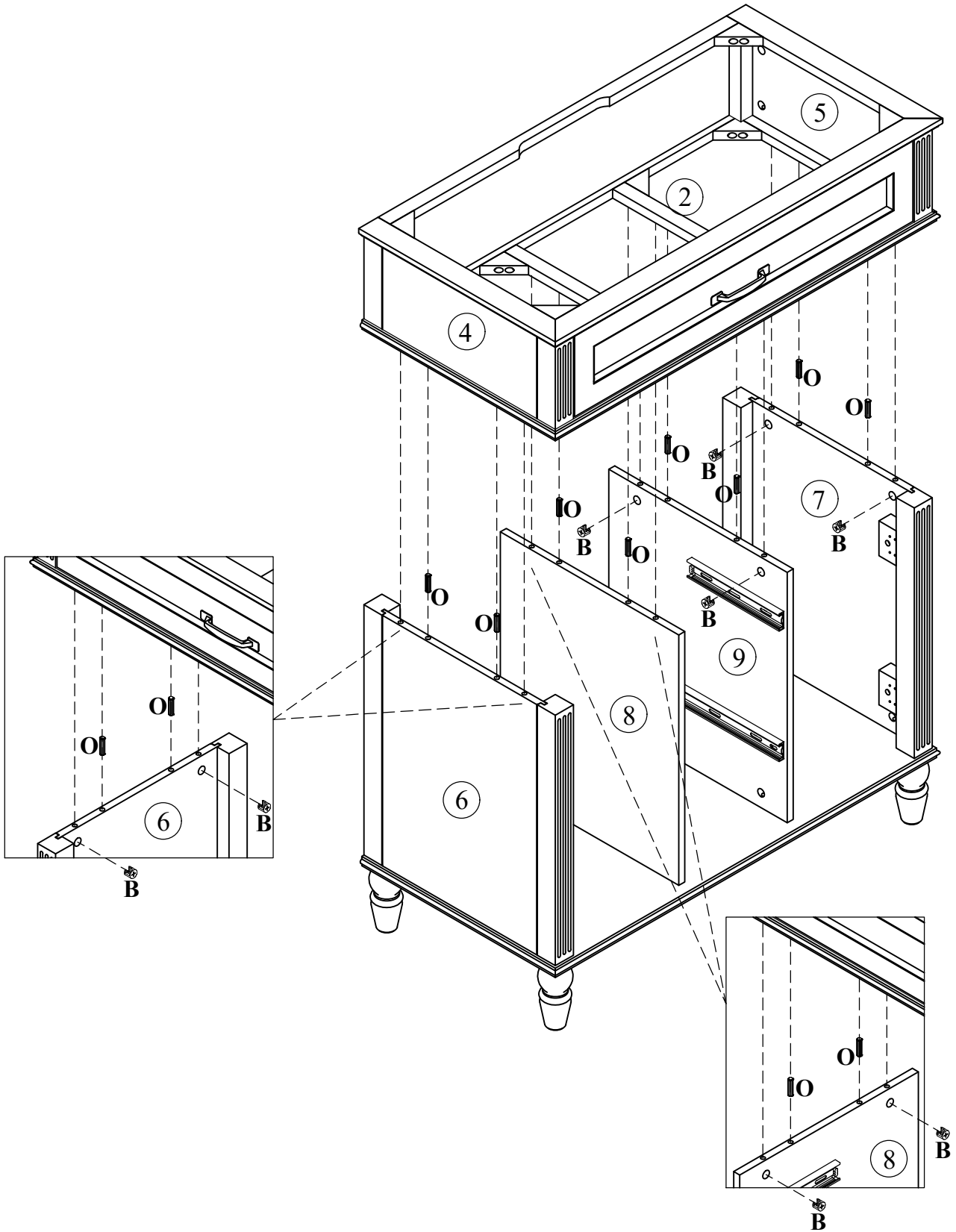


**8PCS**

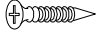



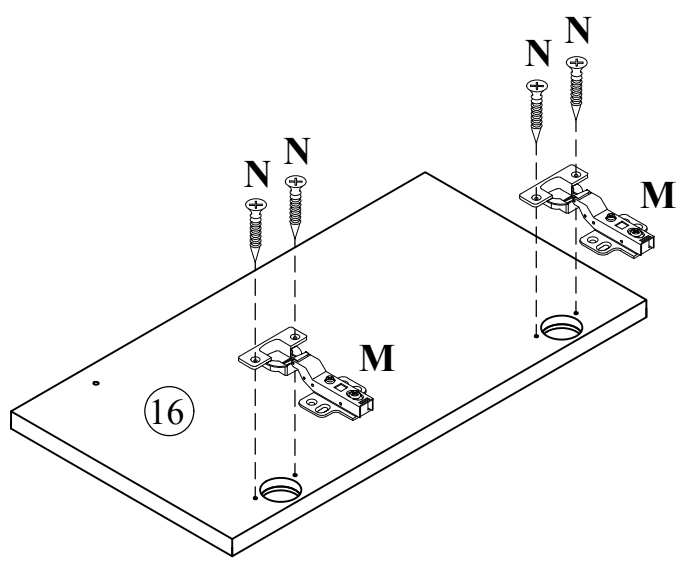
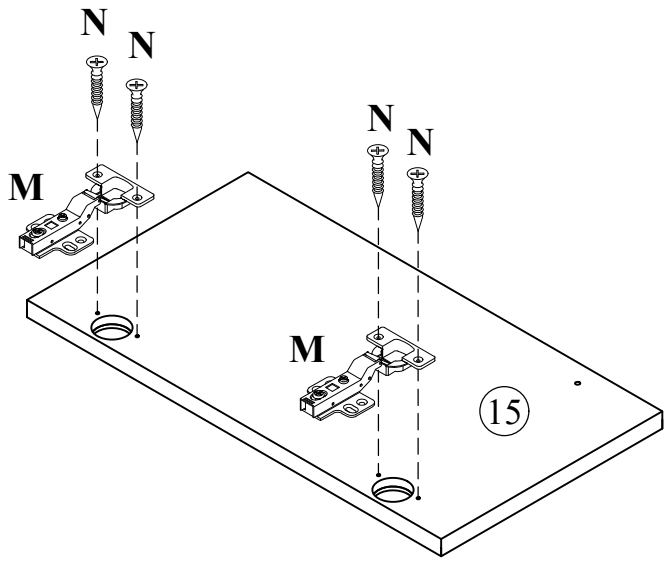
# STEP: 16

<b>B</b>		<b>O</b>	
<b>8PCS</b>		<b>8PCS</b>	


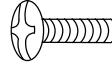
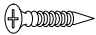


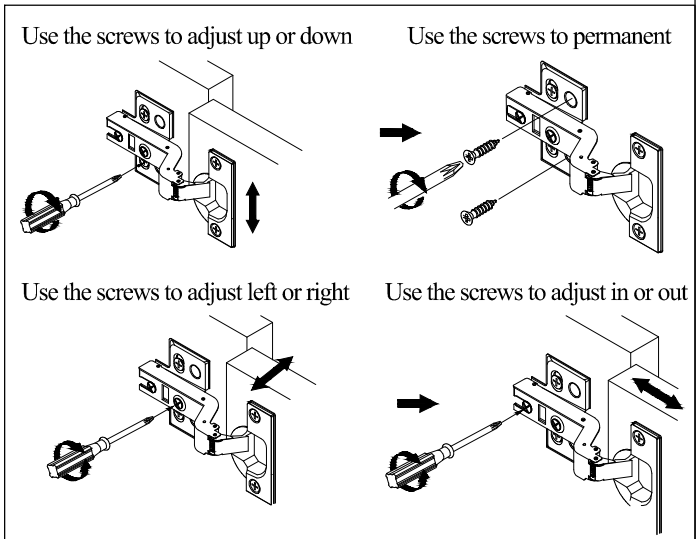
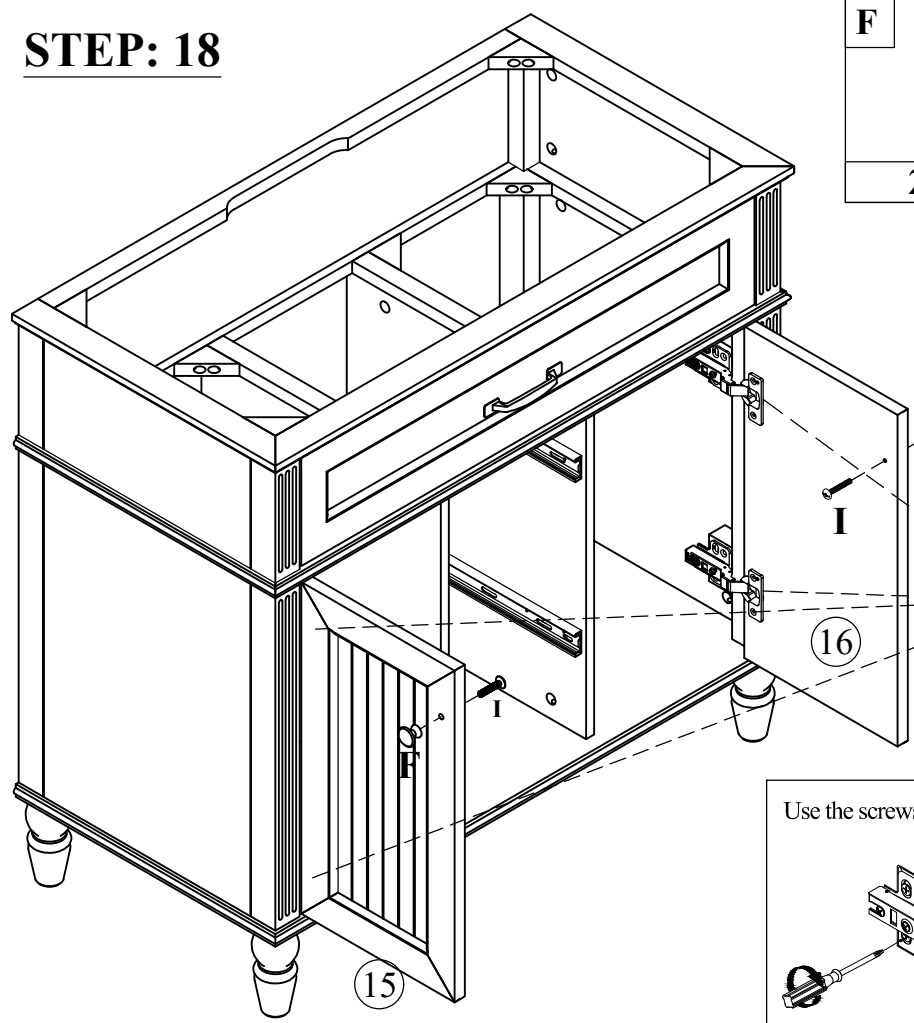
# STEP: 17

<b>N</b>	<b>M</b>
	
<b>8PCS</b>	<b>4PCS</b>


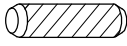
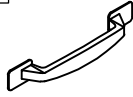
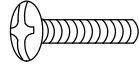


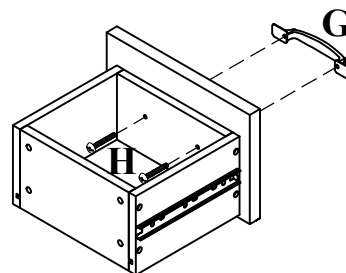
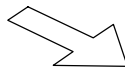
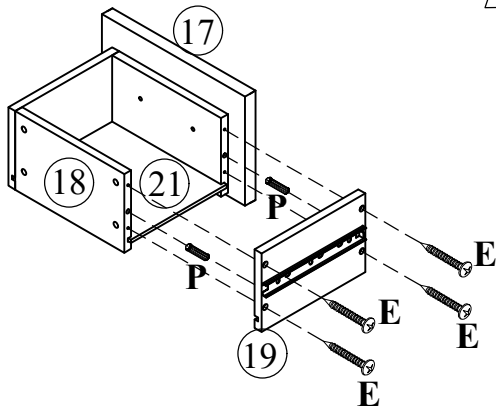
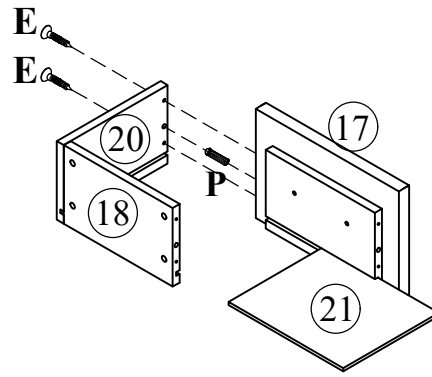
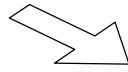
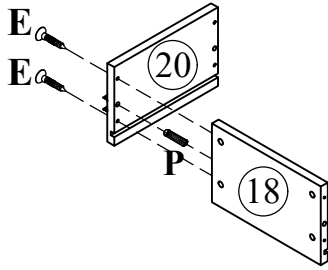
# STEP: 18

<b>F</b>	<b>I</b>	<b>N</b>
		
<b>2PCS</b>	<b>2PCS</b>	<b>16PCS</b>


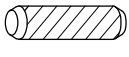
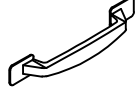
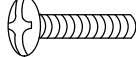


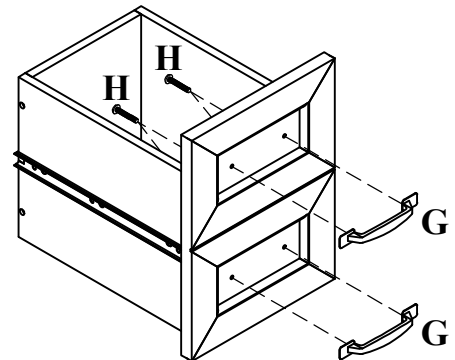
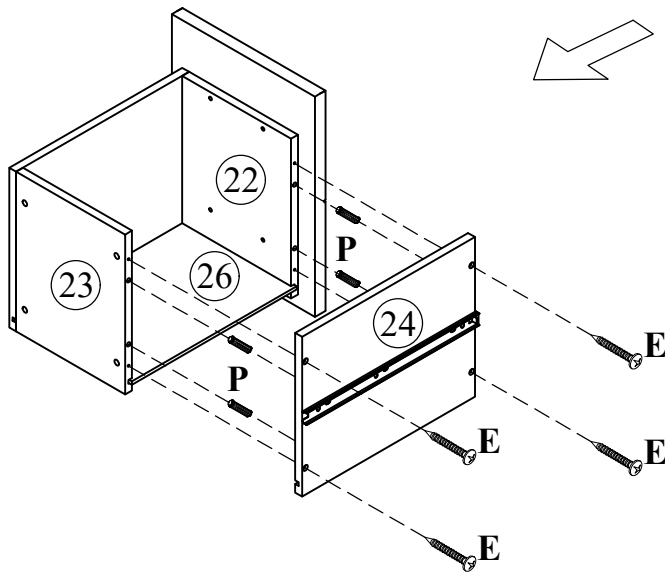
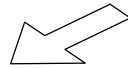
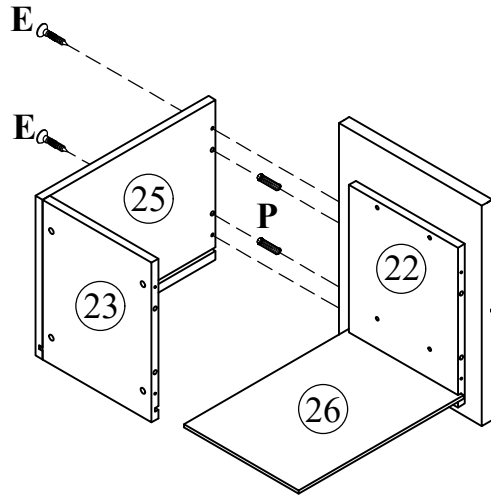
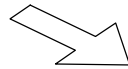
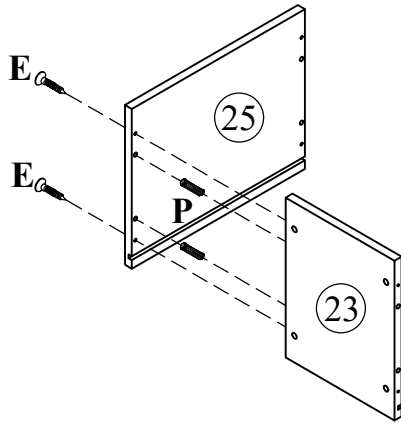
# STEP: 19

<b>E</b> 	<b>P</b> 	<b>G</b> 	<b>H</b> 
<b>8PCS</b>	<b>4PCS</b>	<b>1PC</b>	<b>2PCS</b>

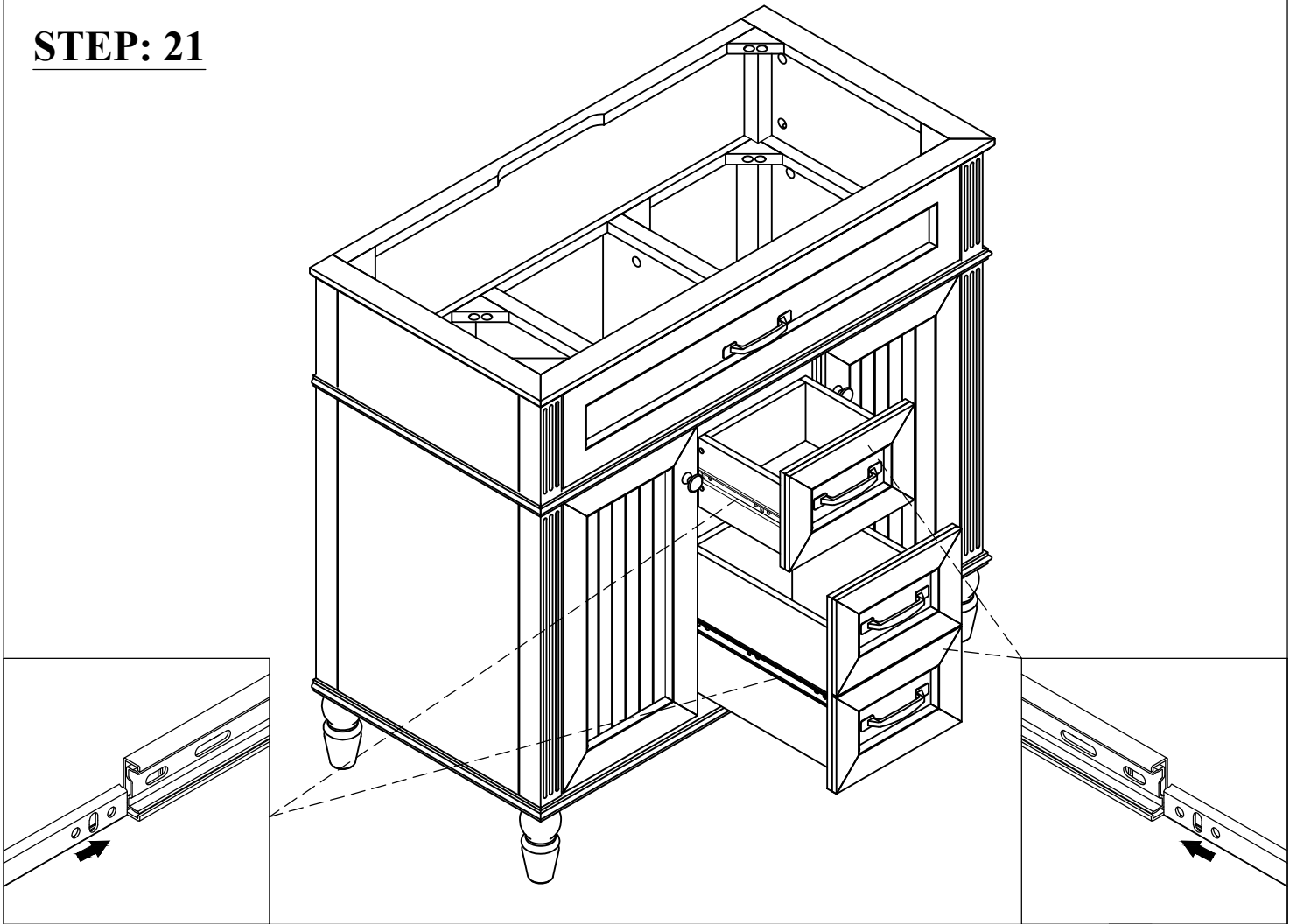


# STEP: 20

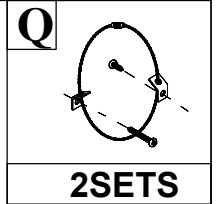
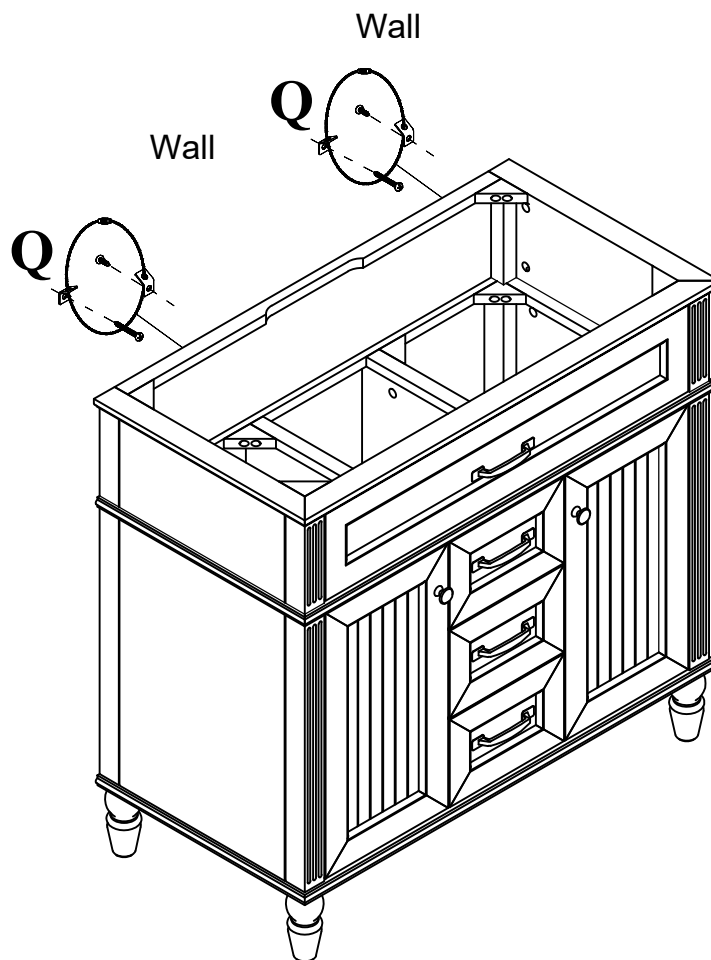
E	P	G	H
			
8PCS	4PCS	2PCS	4PCS



**STEP: 21**



**STEP: 22**



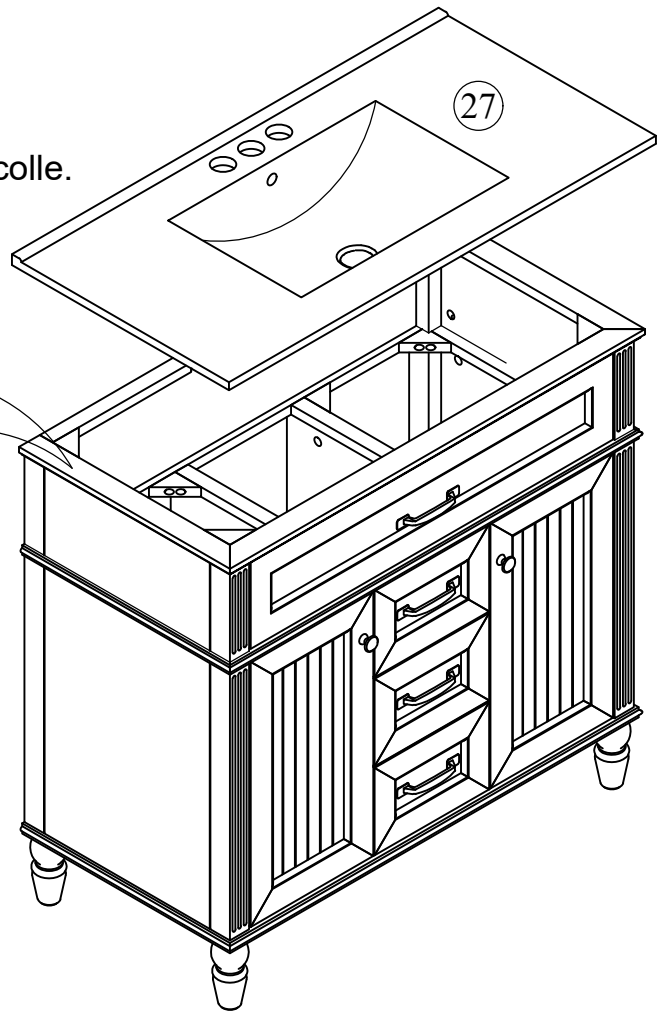
## **STEP: 23**

Install the sink on the cabinet with glue.

Let stand for 24 hours

(Installez l'évier sur le meuble avec de la colle.

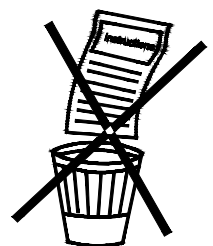
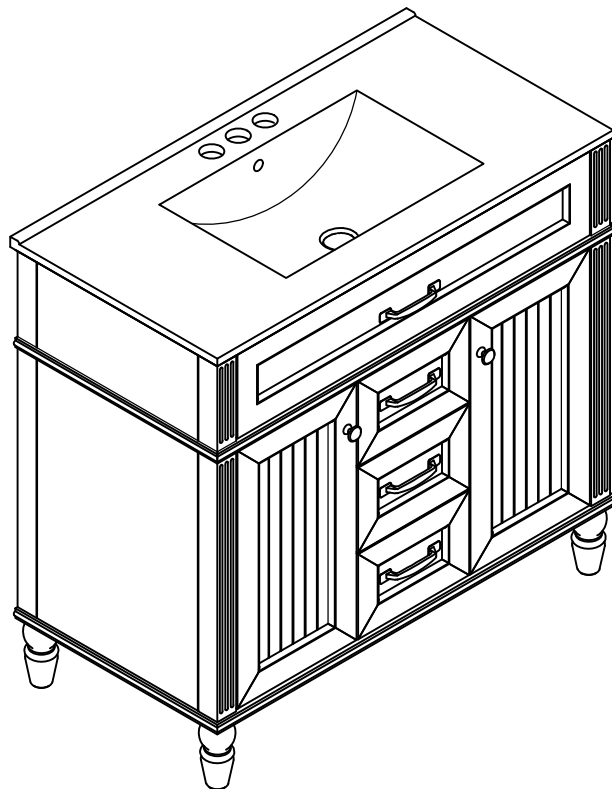
Laissez reposer 24 heures)



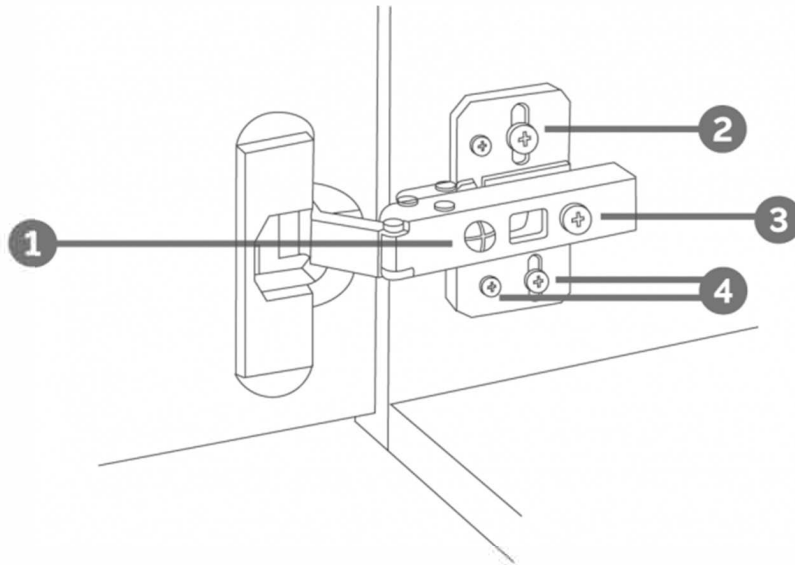
\*Silicone glue is not included in the package to comply with safety regulations in certain shipping conditions.

\*La colle silicone n'est pas incluse dans le colis afin de respecter les règles de sécurité dans certaines conditions d'expédition.

## **STEP: 24**

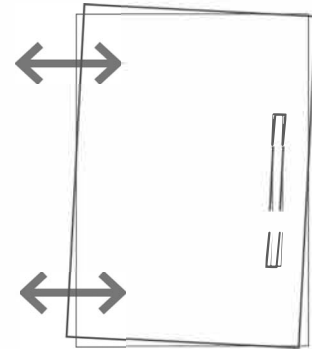


# HINGE ADJUSTMENTS



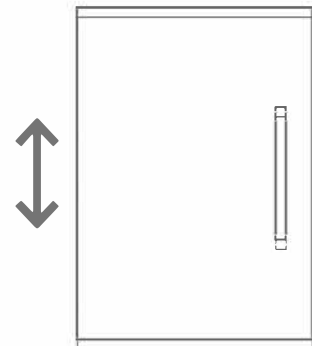
## 1 Sideways / Tilt adjustment

Turn the screw  
**clockwise** to move the door further away from  
the side of the cabinet  
**anticlockwise** to move the door closer to the  
side of the cabinet



## 2 4 Height adjustment

While supporting the weight of the door, turn the  
screws  
**clockwise** to move the door up  
**anticlockwise** to move the door down



## 3 Forward and back adjustment

If the gap between the back of the door and the  
cabinet is too small, and the door may not close  
fully. Turn the screw  
**clockwise** to decrease the gap between the  
door and the cabinet  
**anticlockwise** to increase the gap between the  
door and the cabinet

