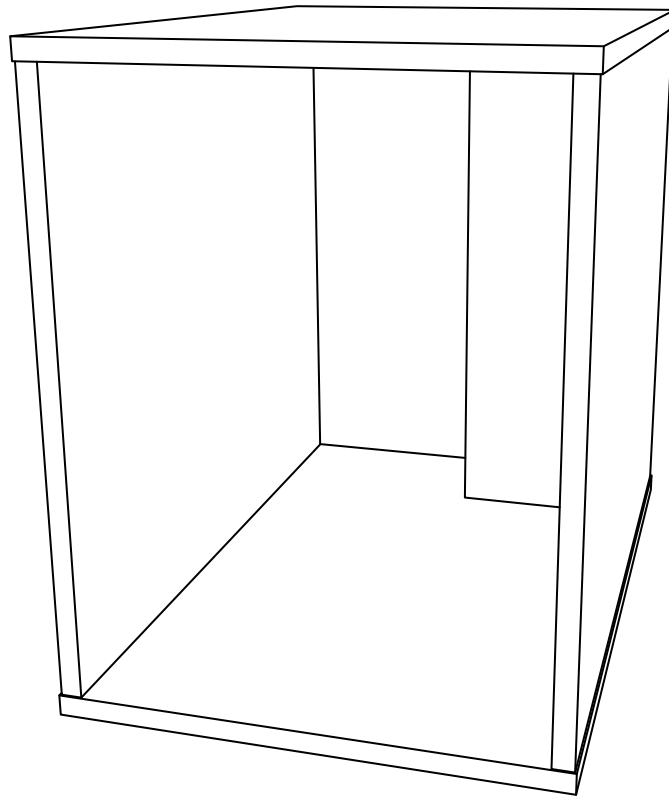
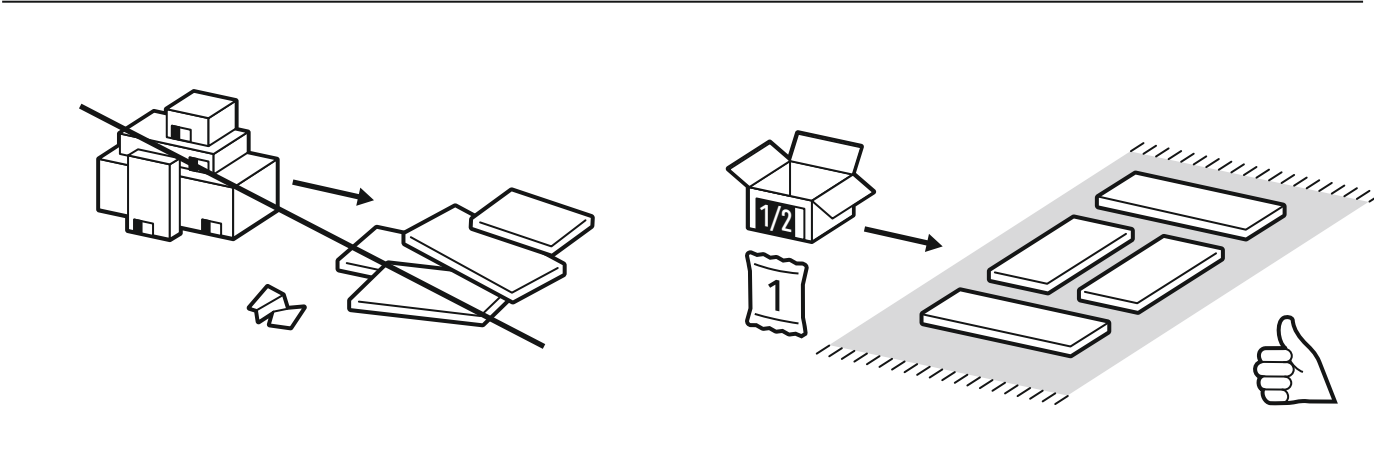
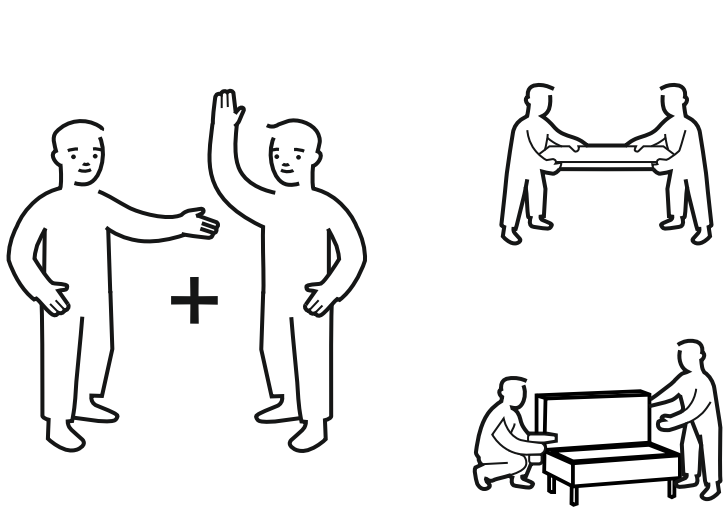
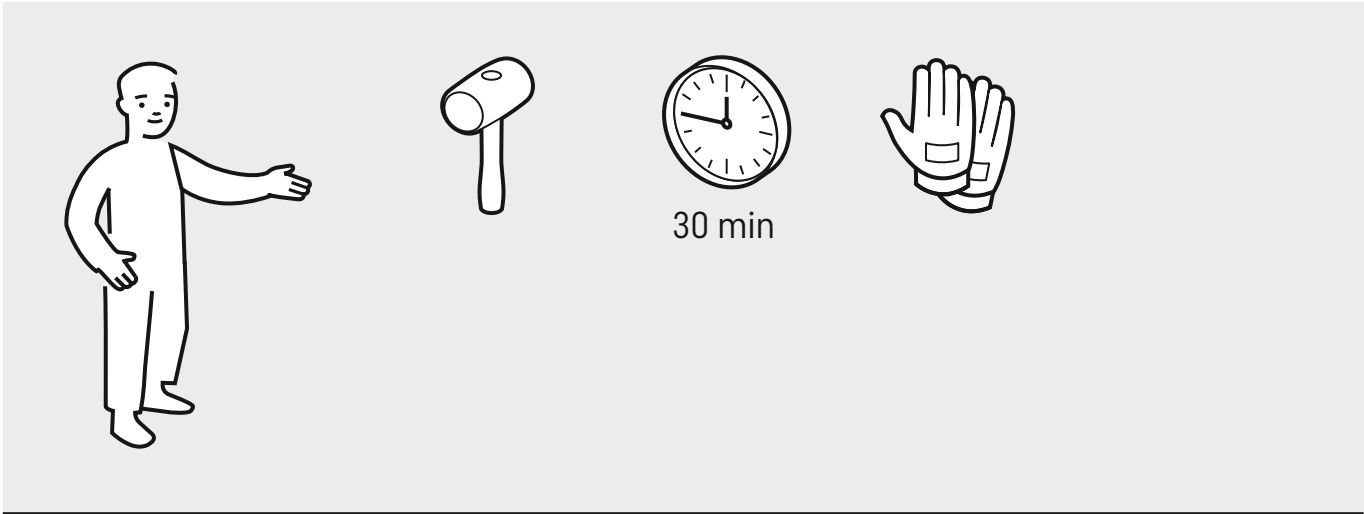
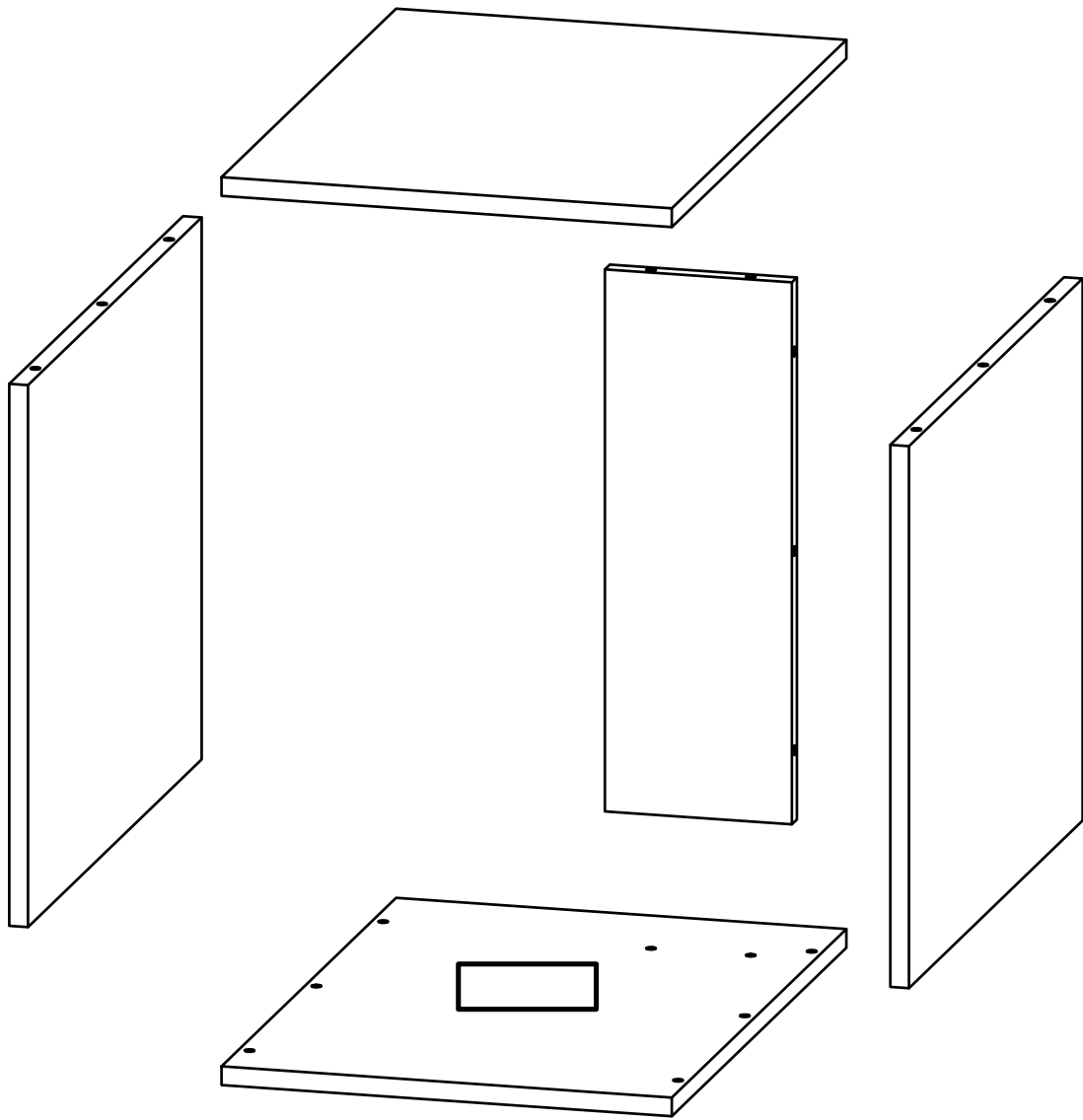
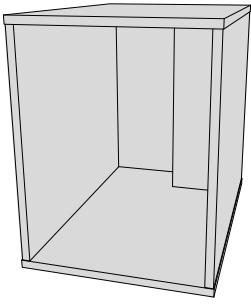
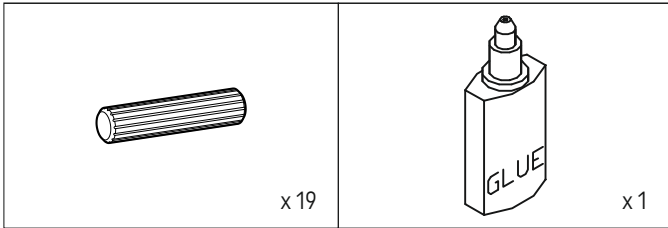
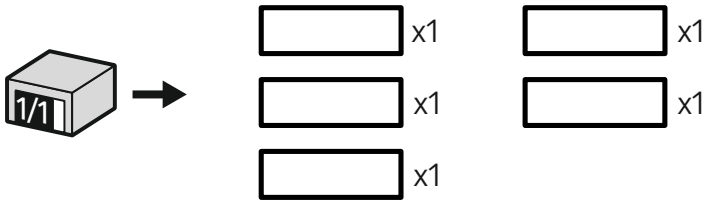
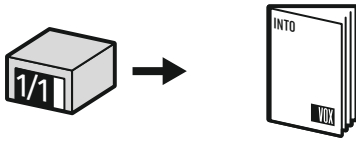


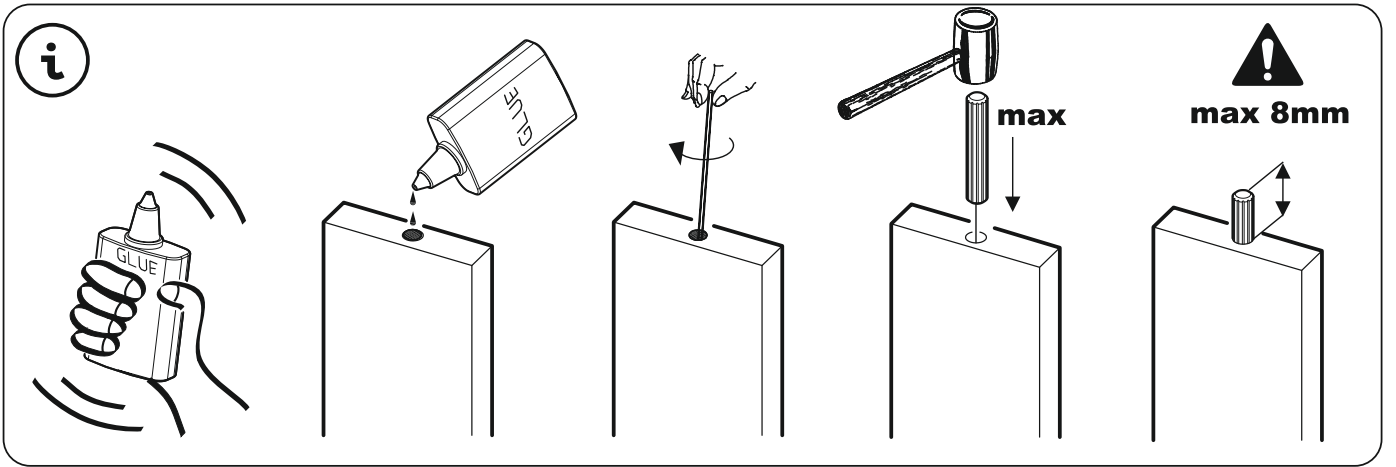
29x42x38 cm
11 1/2x16 1/2x15"



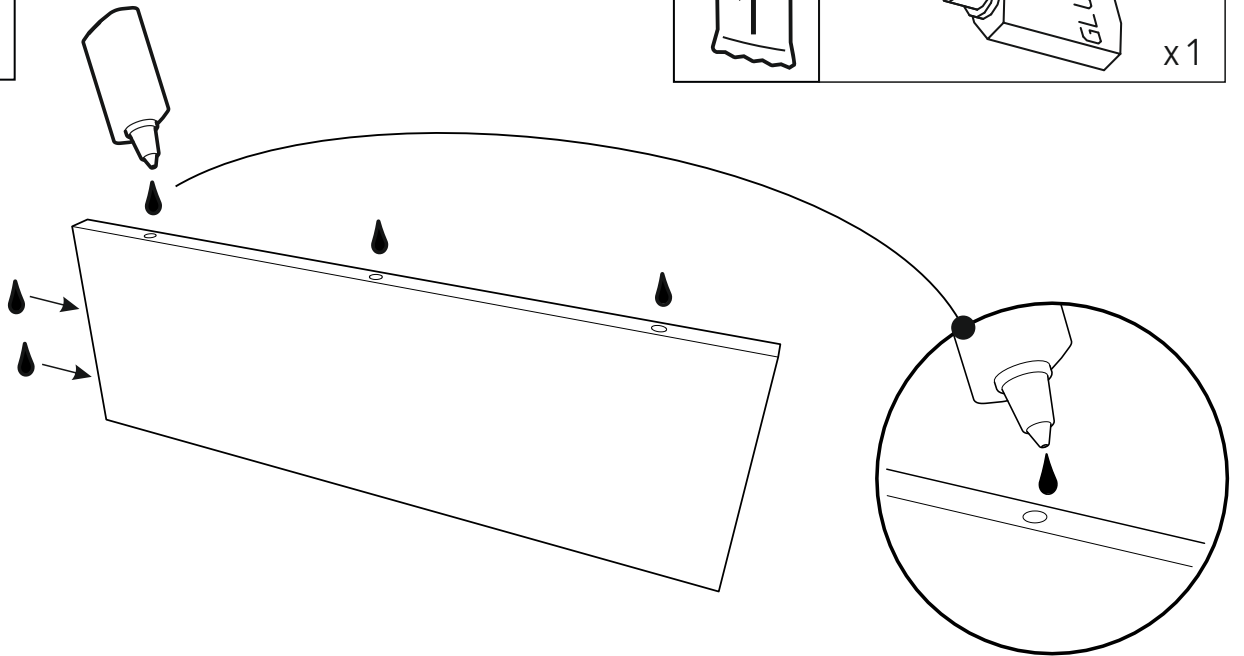
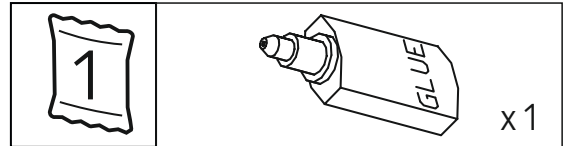




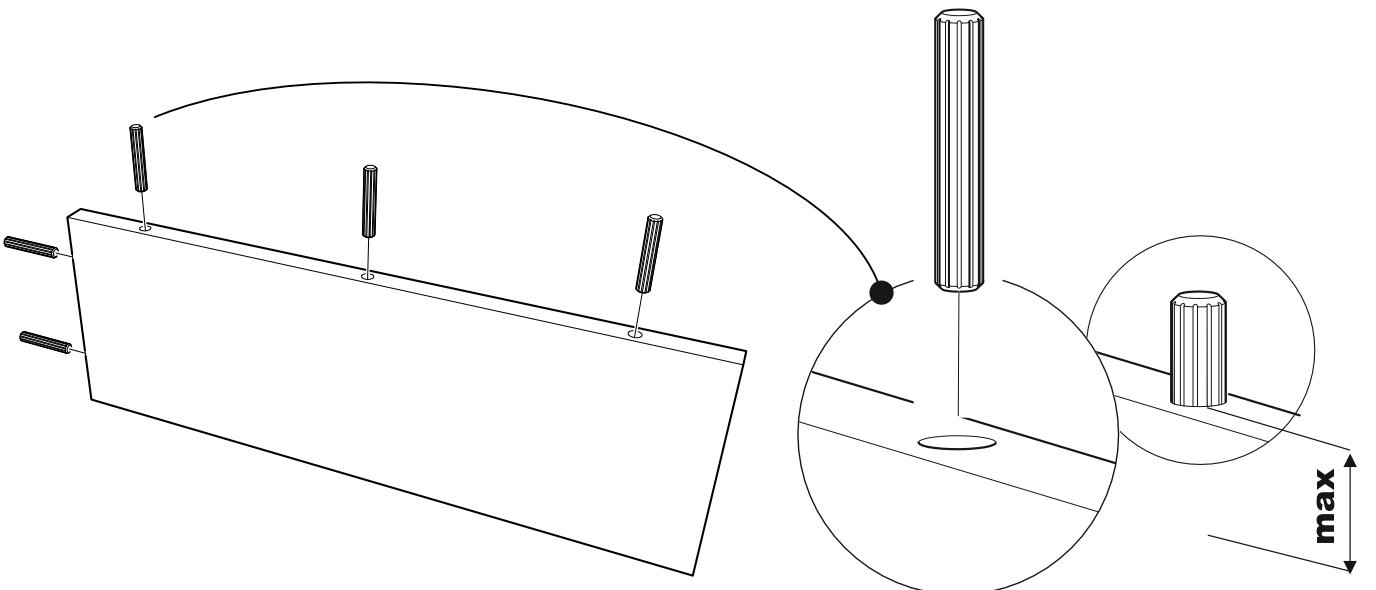
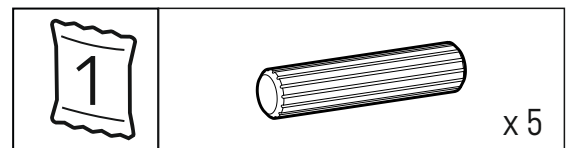




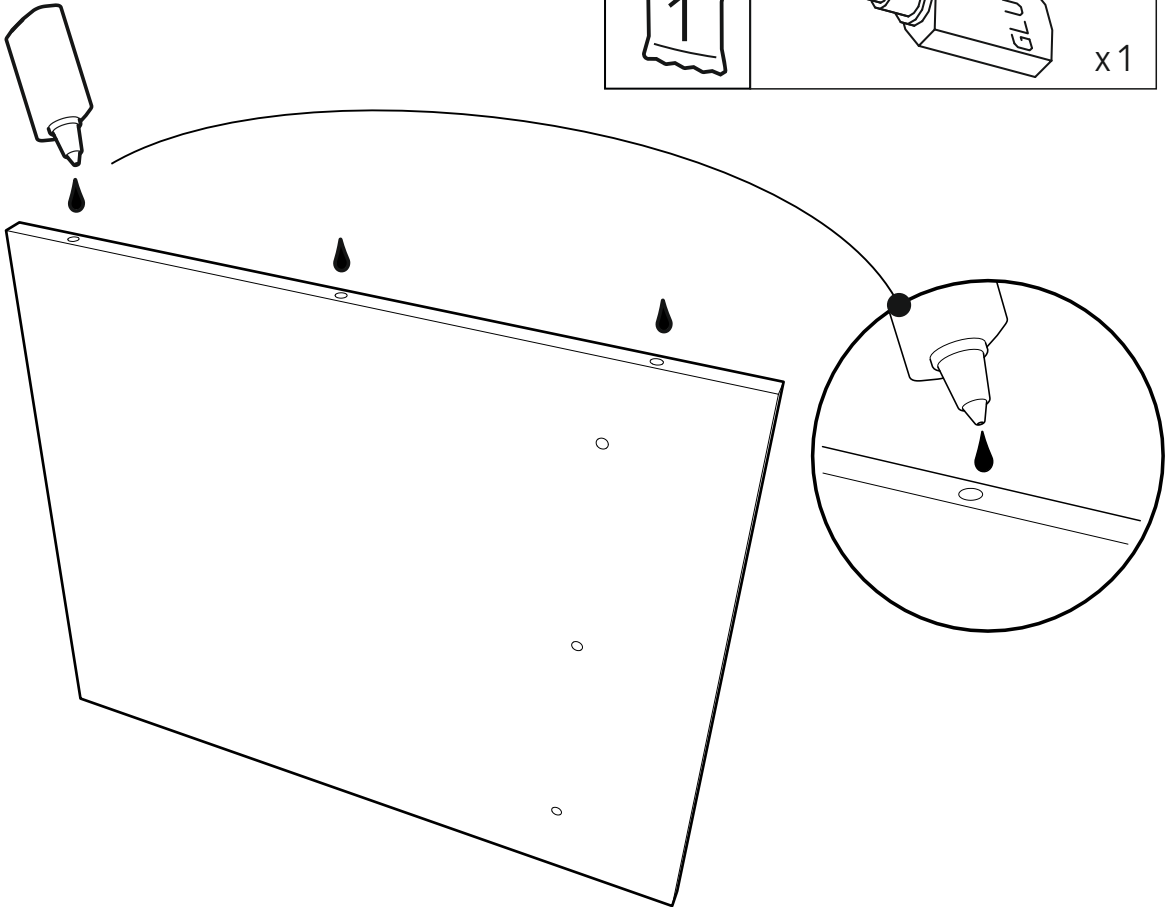
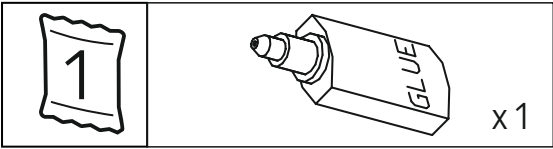
1



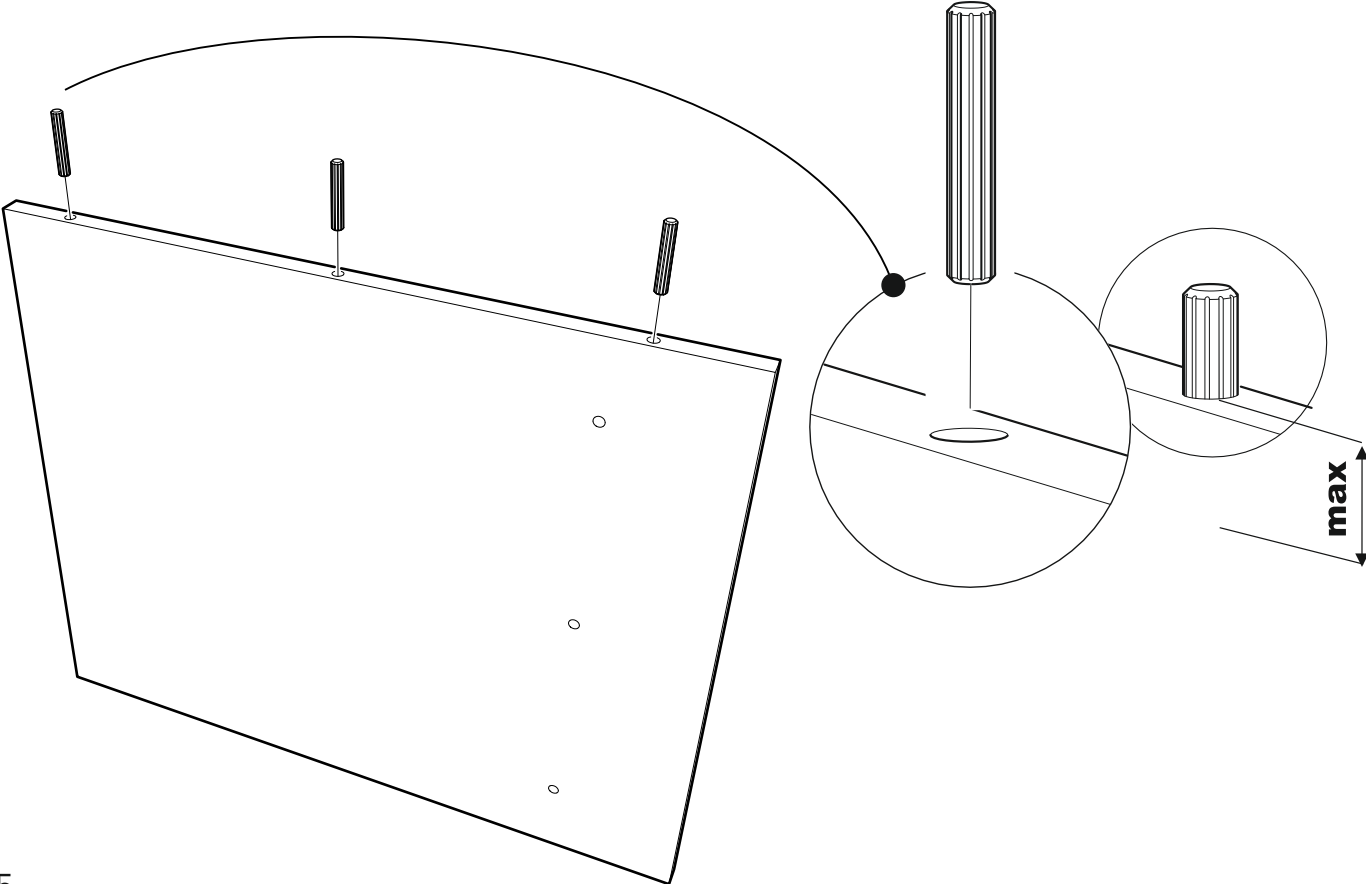
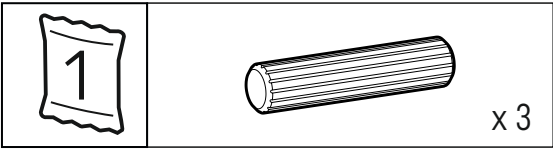
2



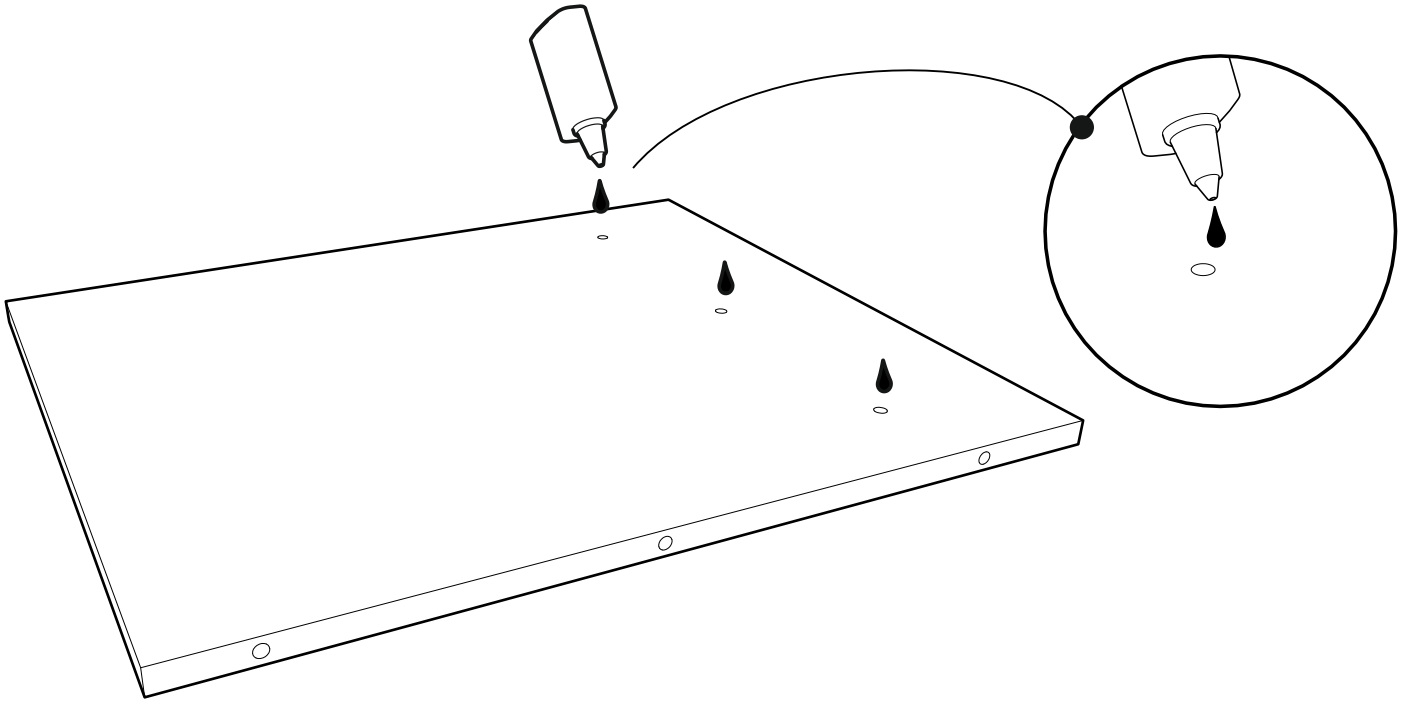
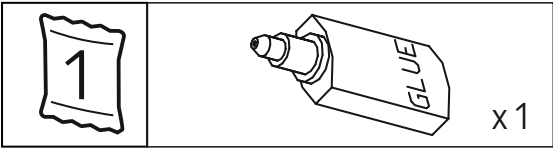
3



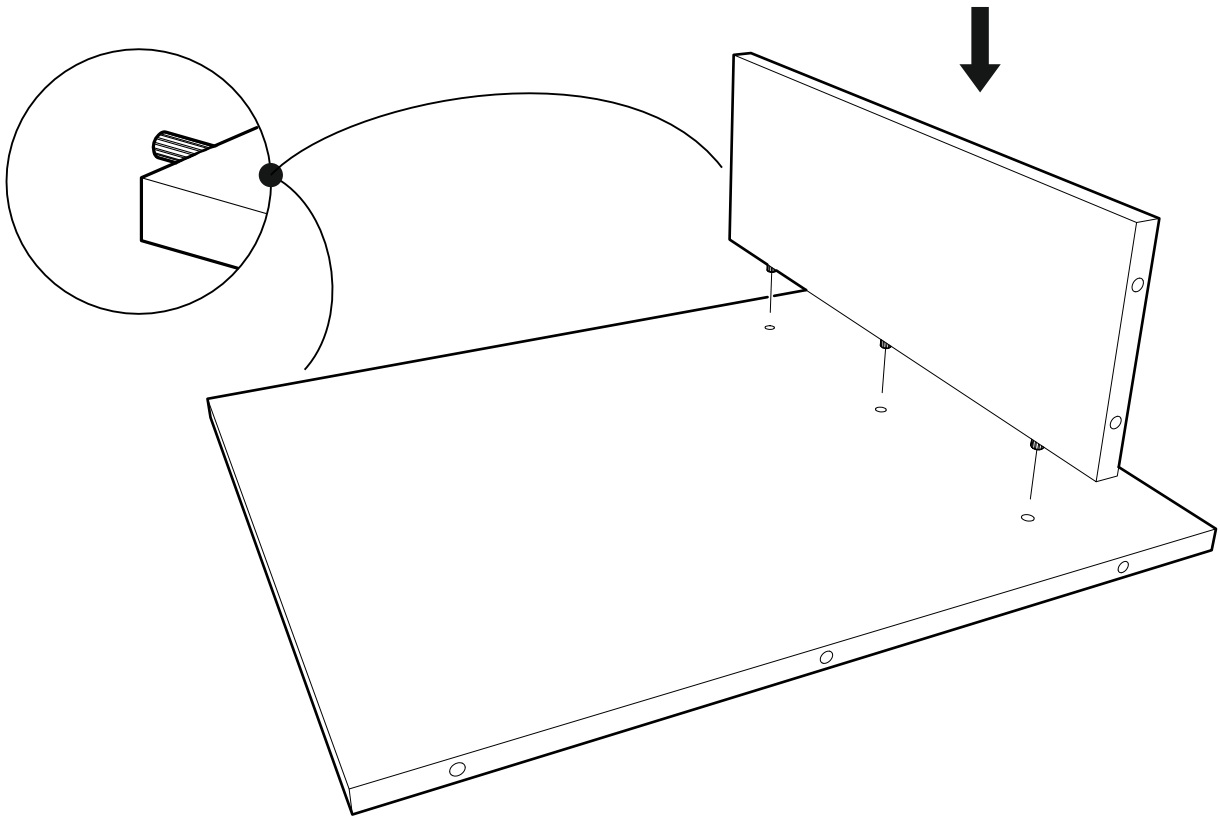
4



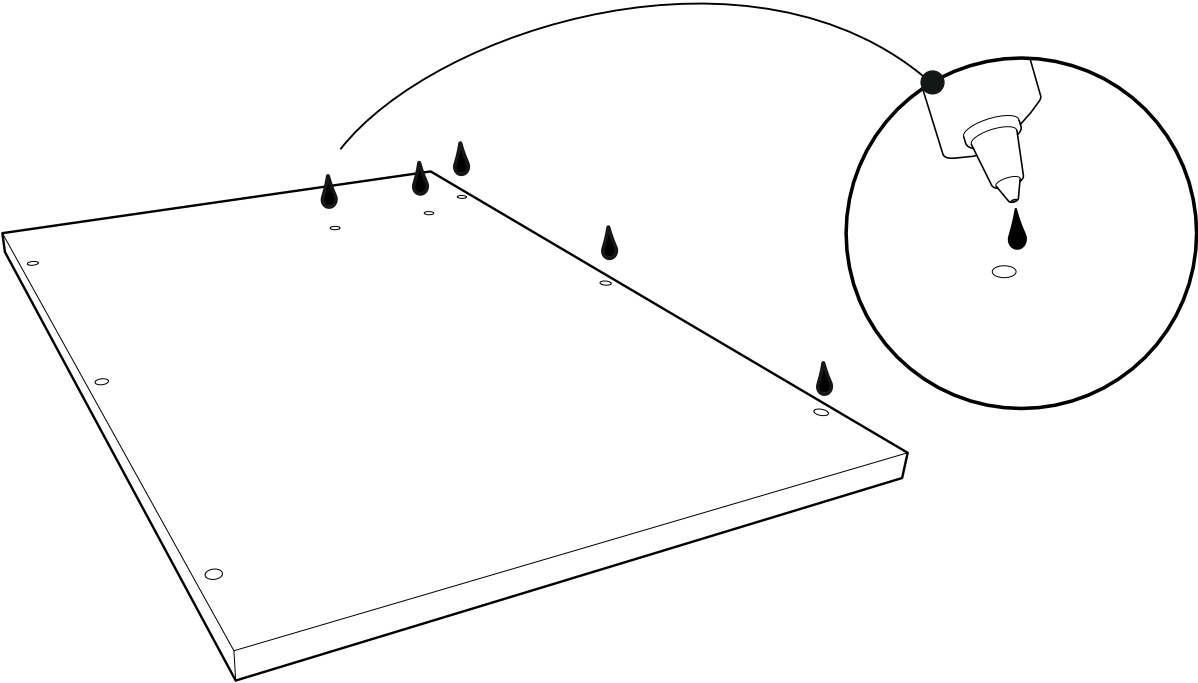
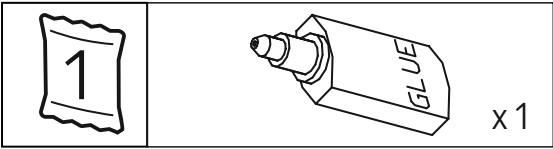
5



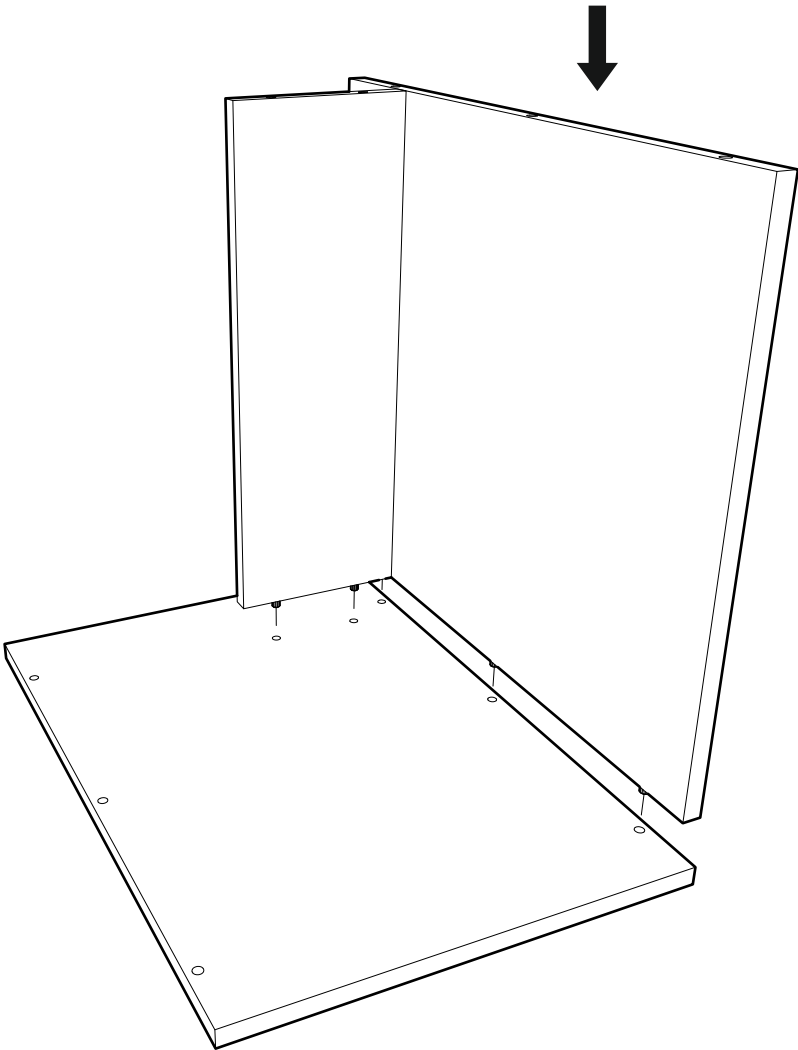
6



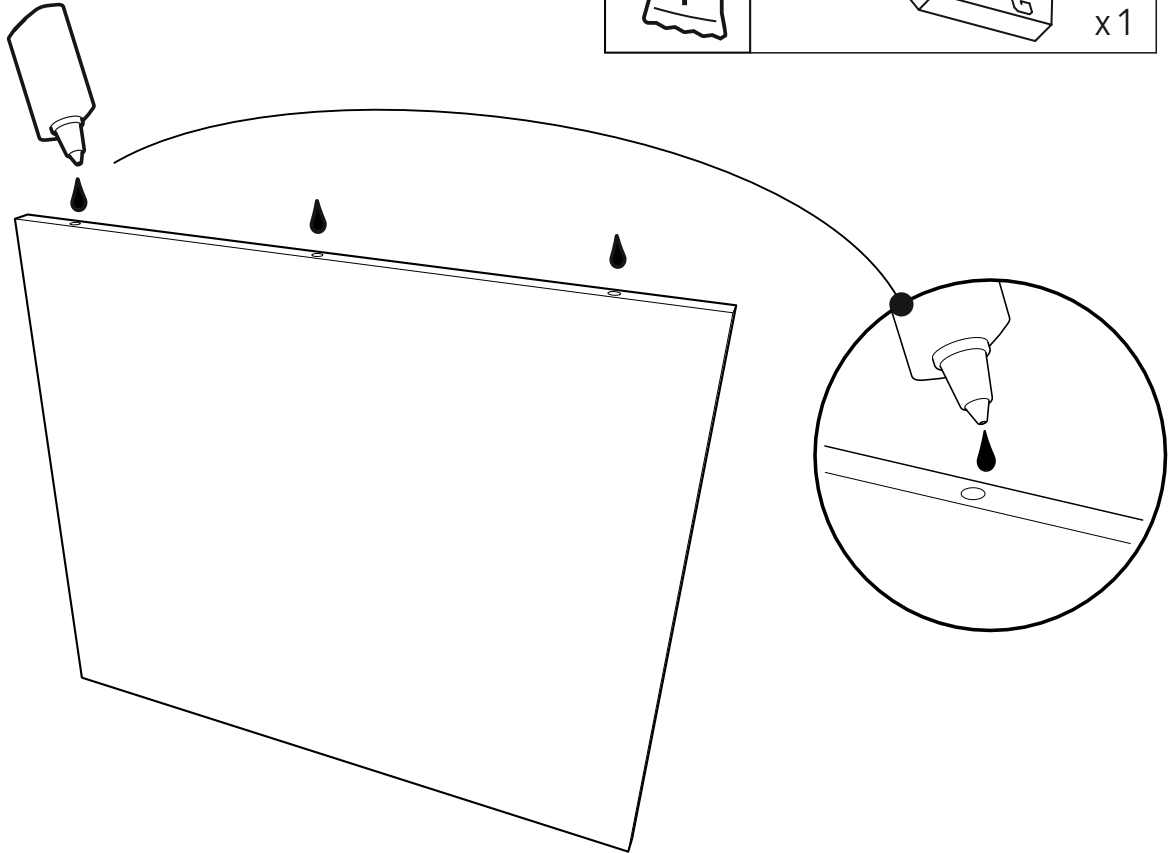
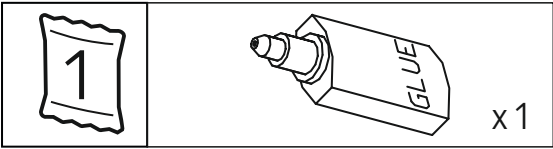
7



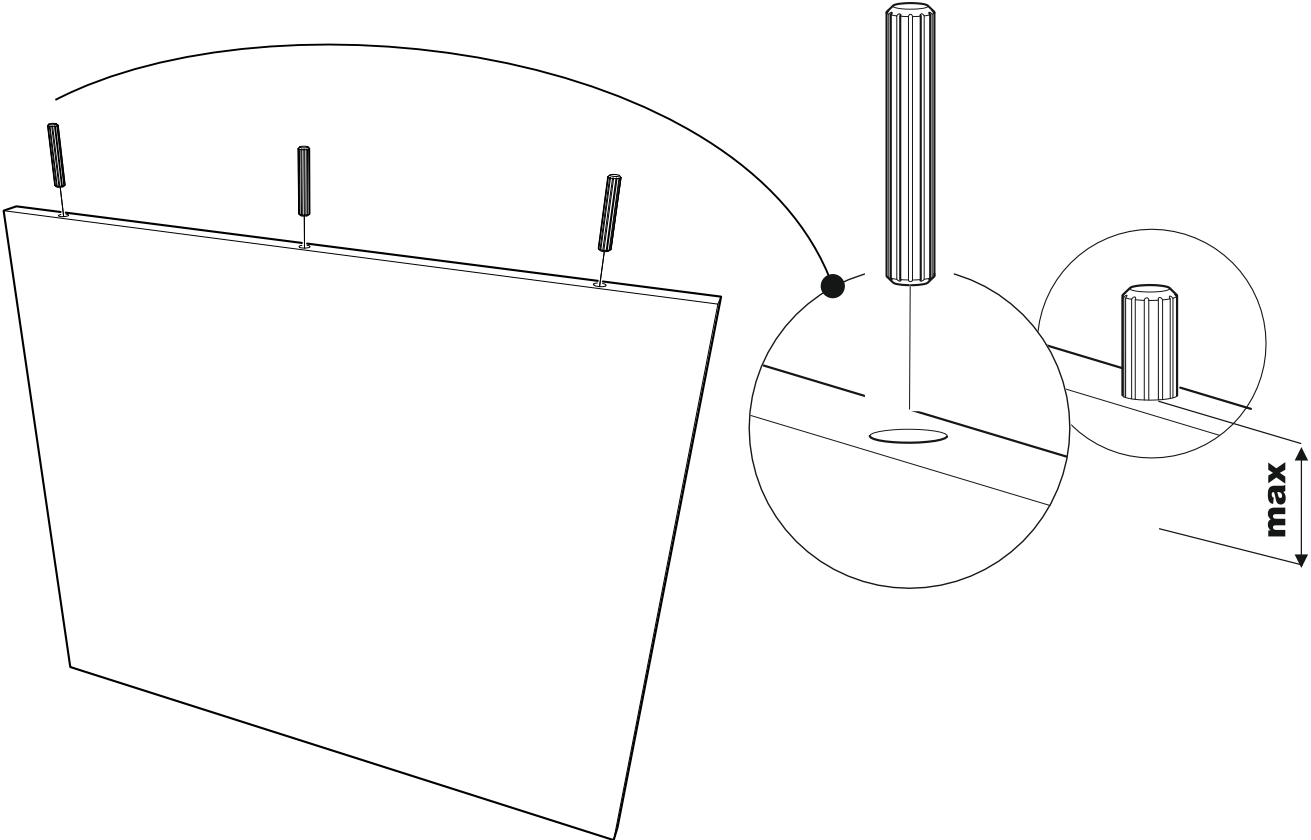
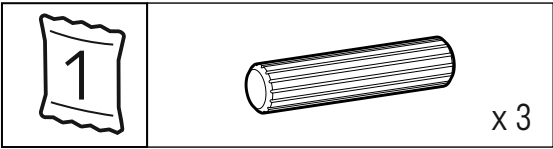
8



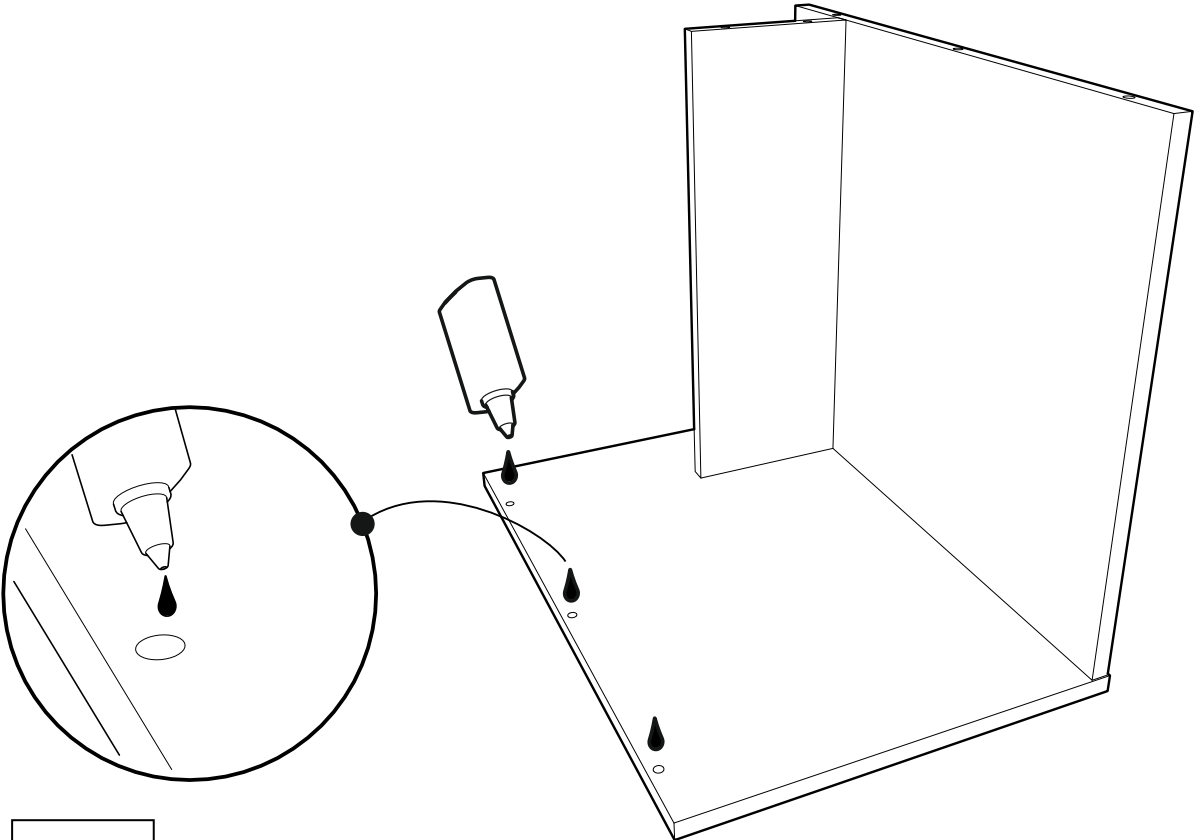
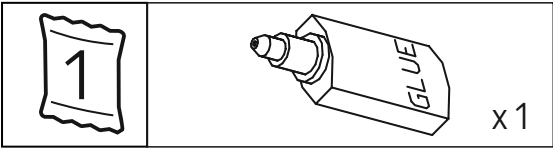
9



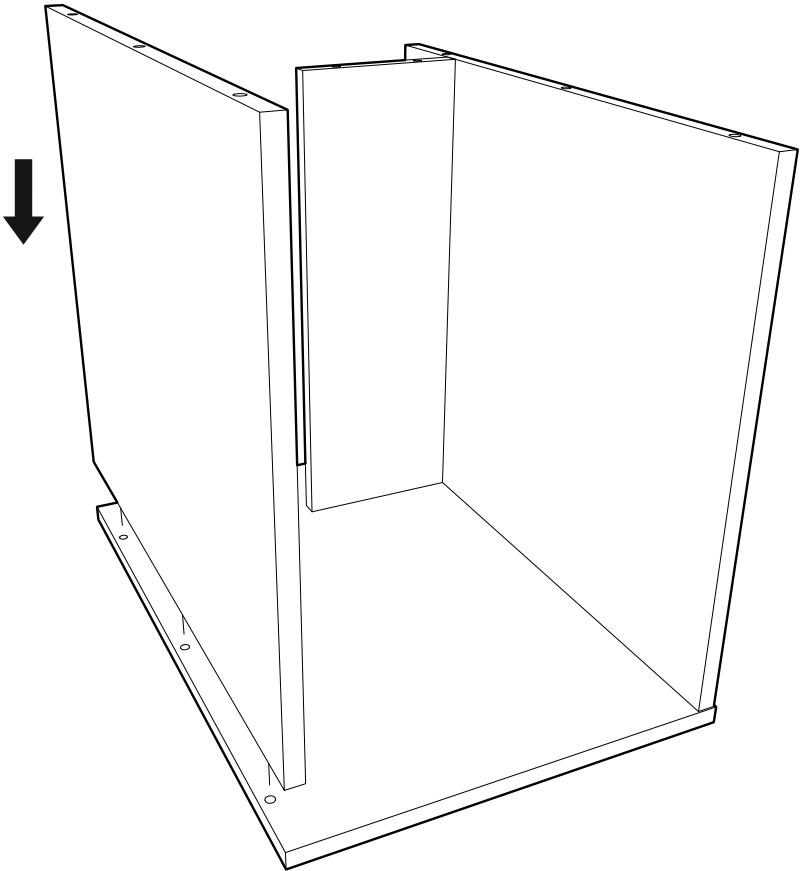
10



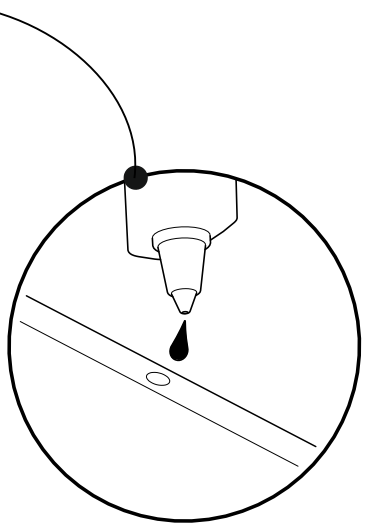
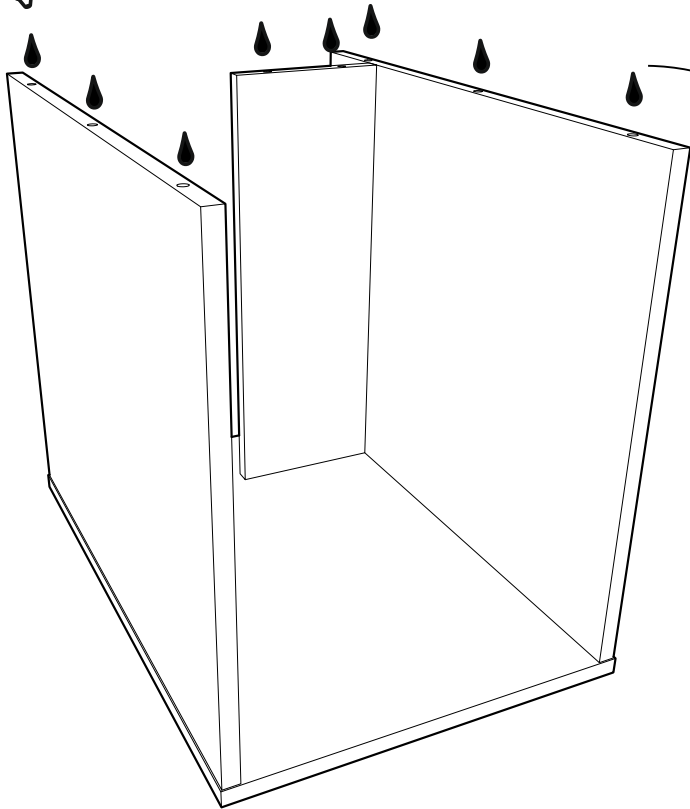
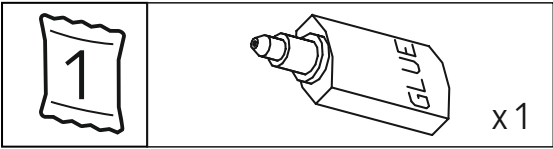
11



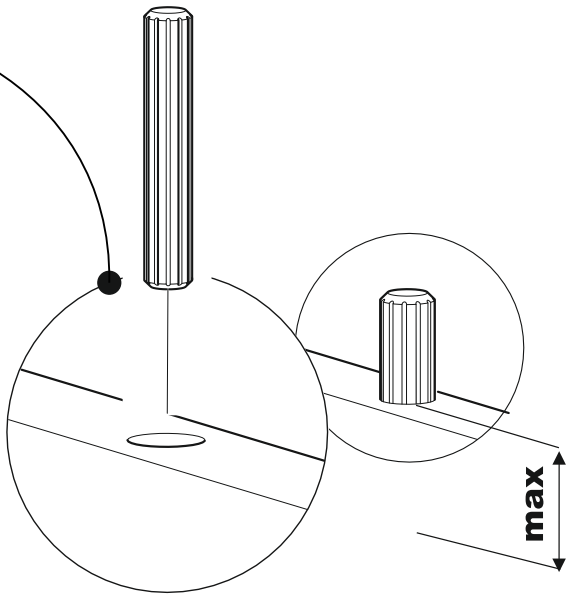
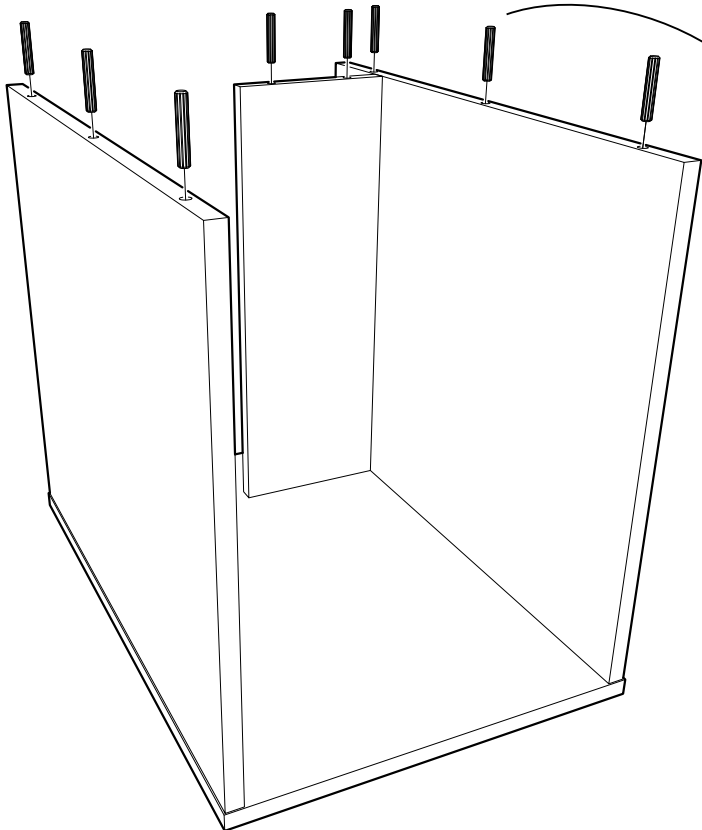
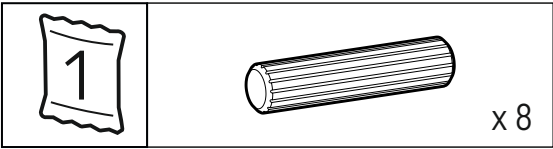
12



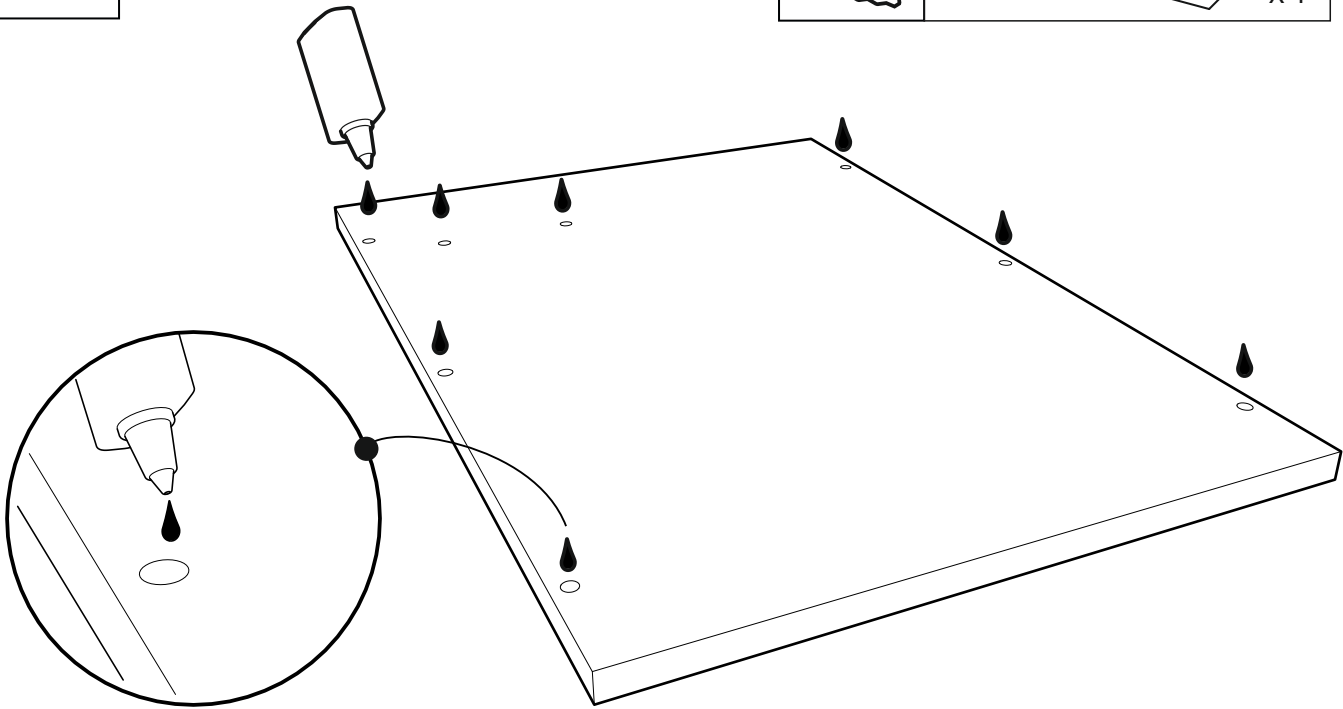
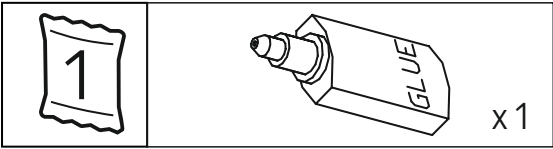
13



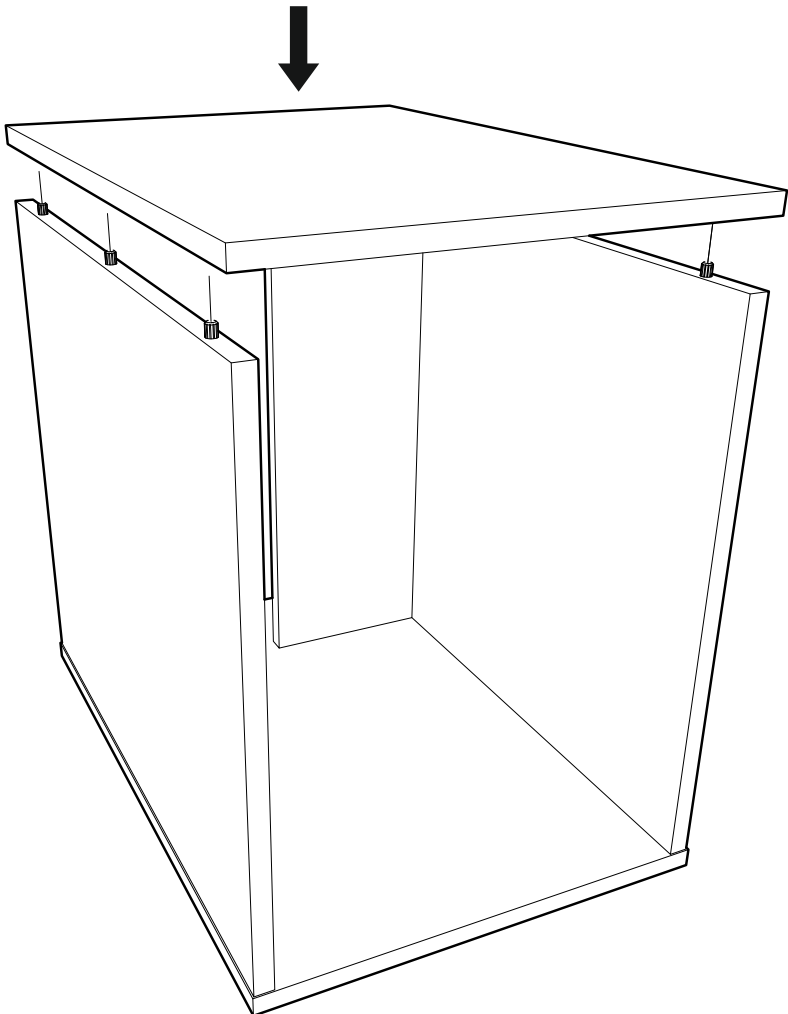
14

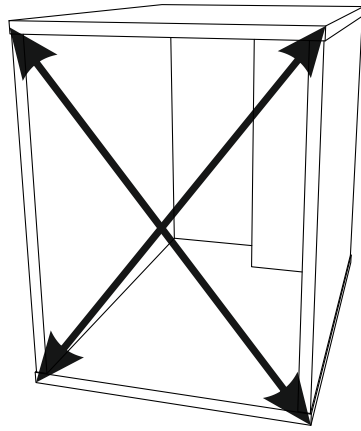


15



16





$$x = y$$



2h

17

