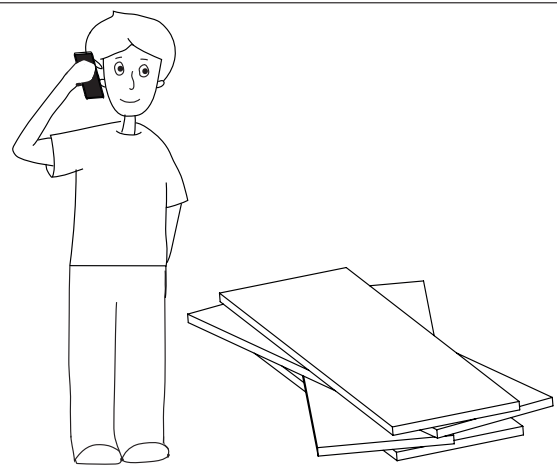
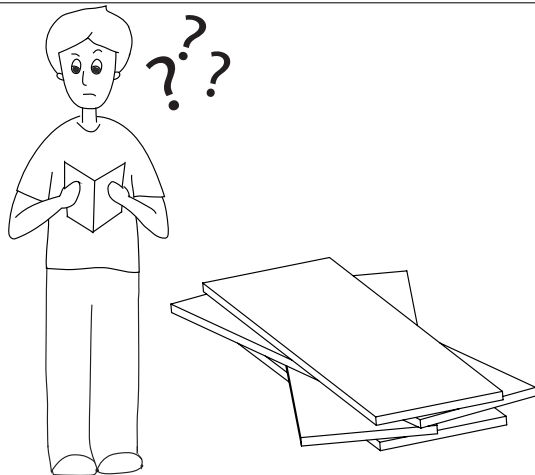
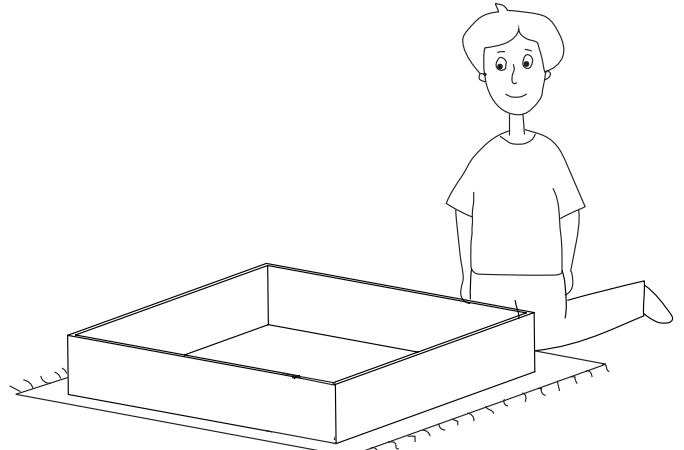
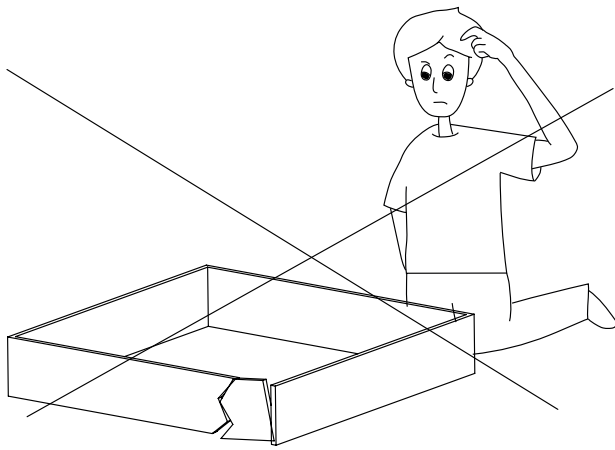
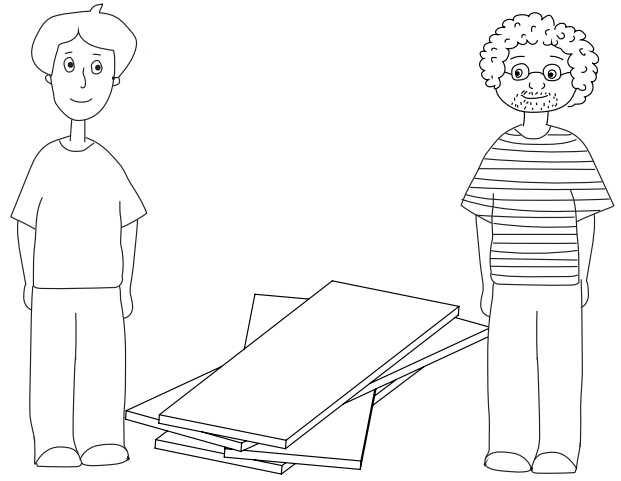
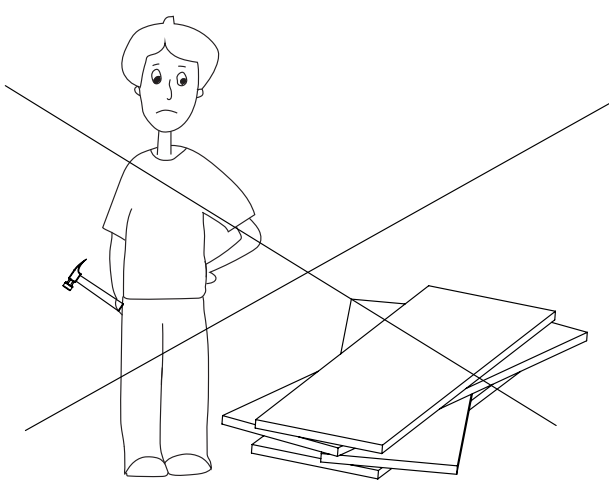
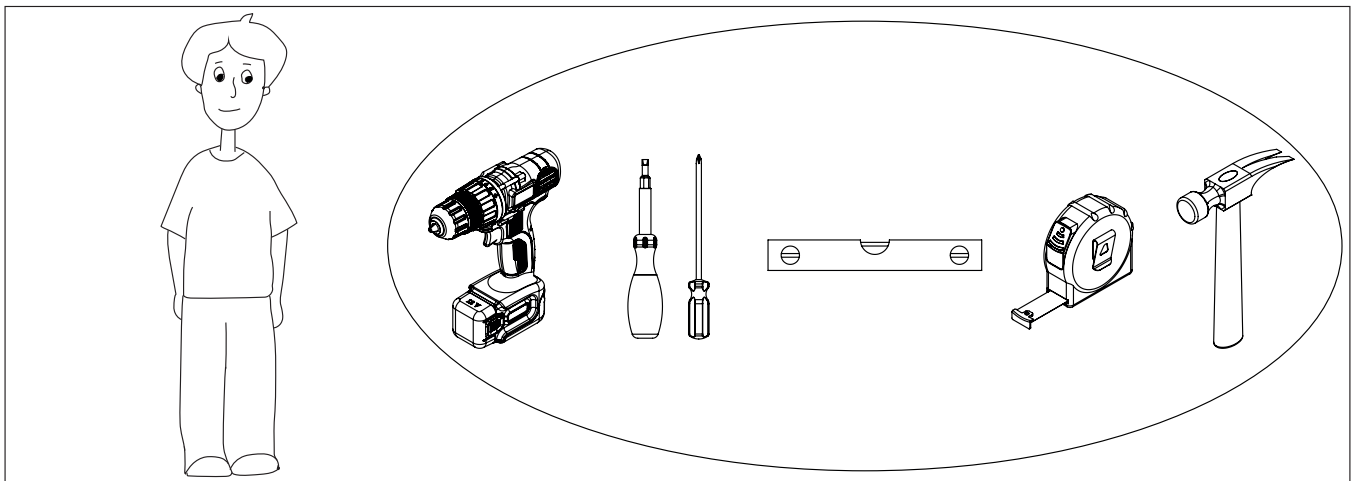
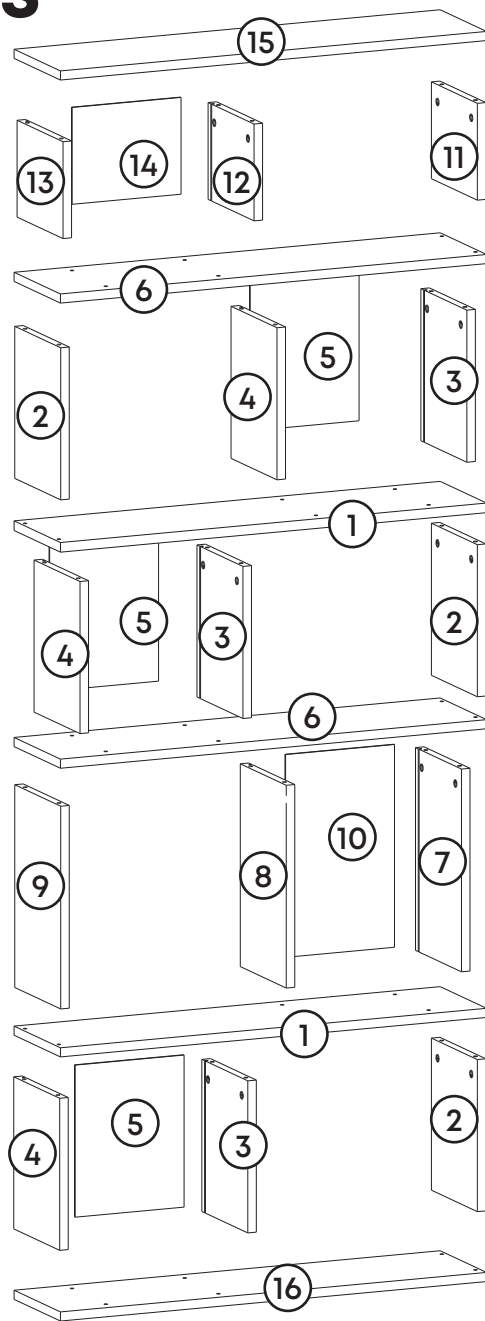


Assembly guide

# Prepare To Start

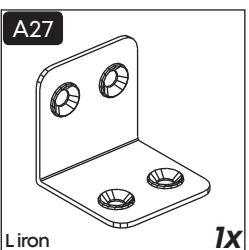
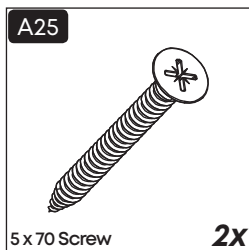
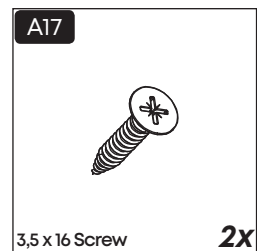
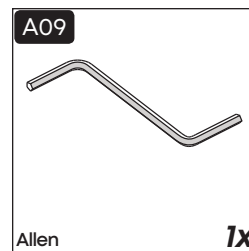
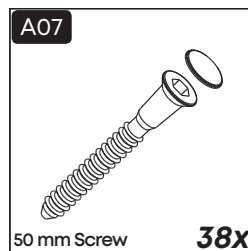
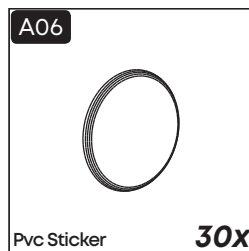
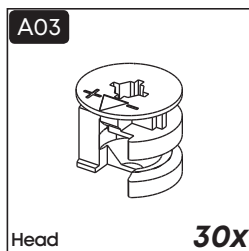
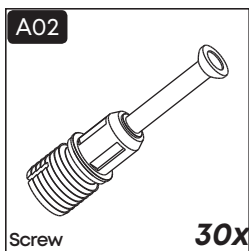


# Components



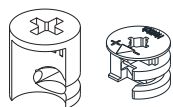
Part1	2x
Part2	3x
Part3	3x
Part4	3x
Part5	3x
Part6	2x
Part7	1x
Part8	1x
Part9	1x
Part10	1x
Part11	1x
Part12	1x
Part13	1x
Part14	1x
Part15	1x
Part16	1x
<b>Total</b>	<b>26x</b>

# Accessory Parts

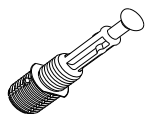


# How to instal Components

\*Before starting, please check the below figures



HEAD

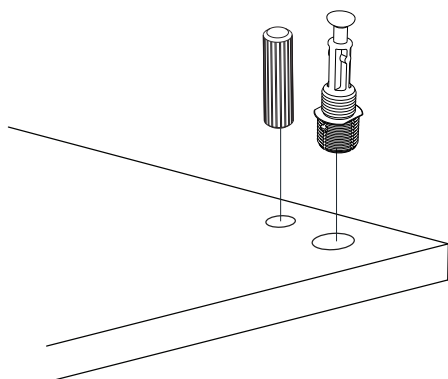


SCREW

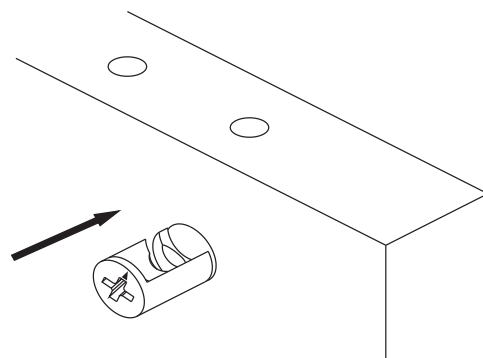


DOWEL

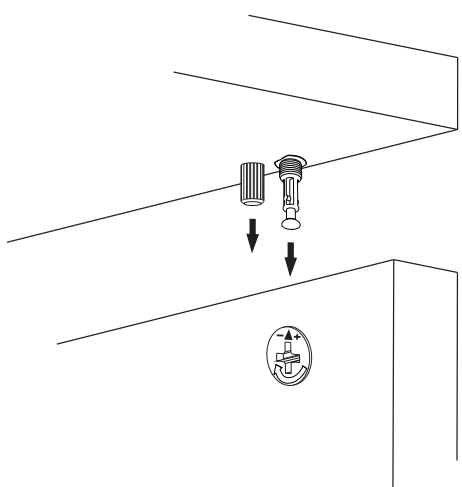
If the dowel is not required during the installation phase, it is not included in the package.



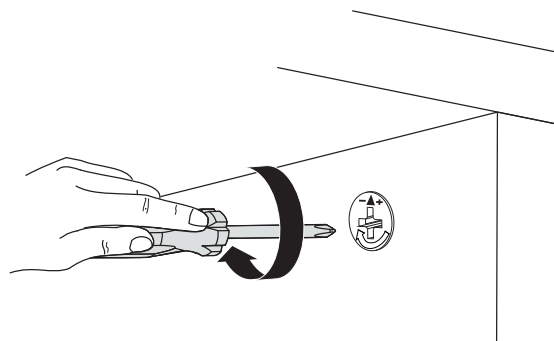
\*Please notice that there is an small arrow on A03 (head). This arrow should show the direction of upper hole.



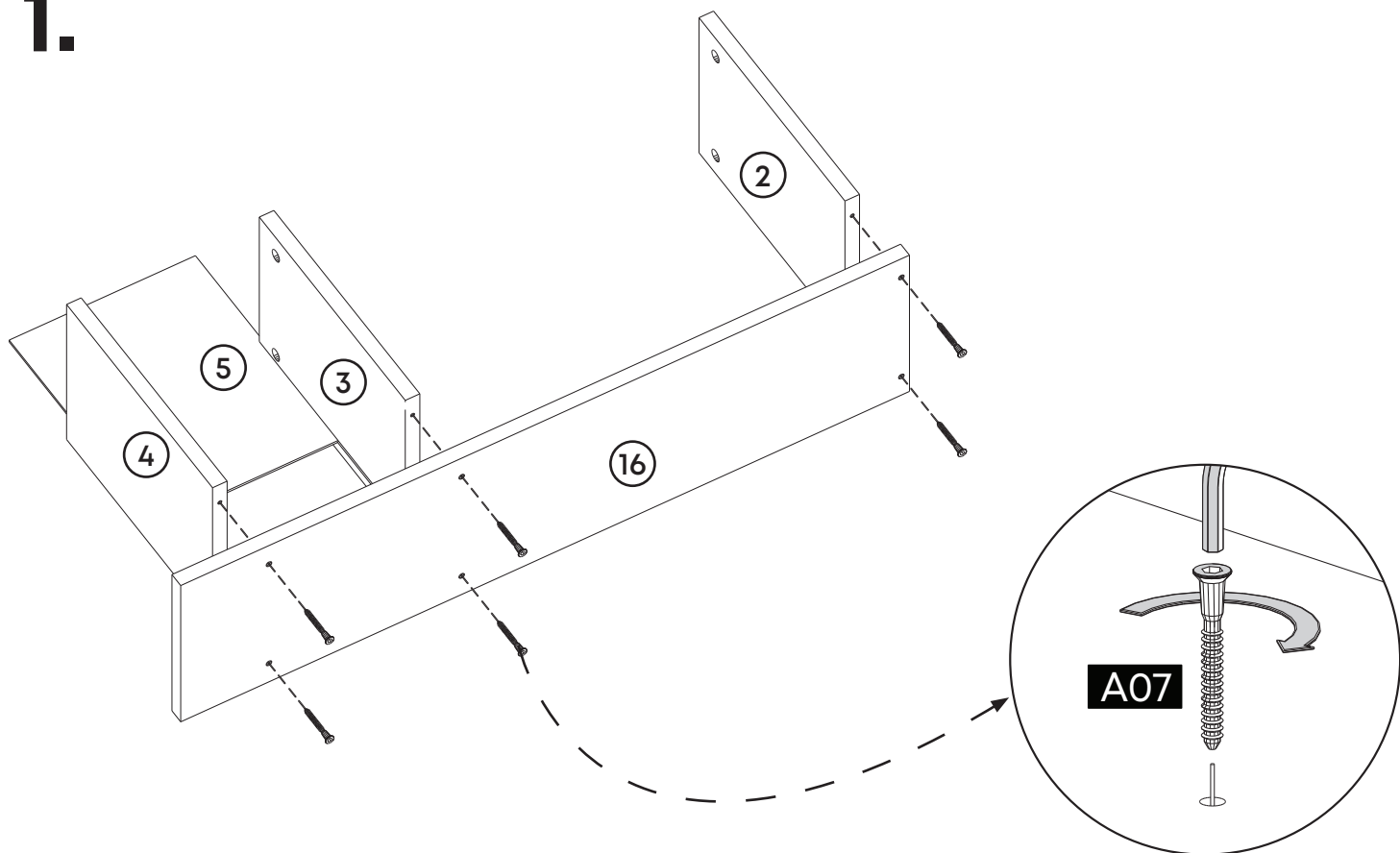
\*After attaching two pieces please turn the A03 (head) clockwise direction with the help of a screwdriver.



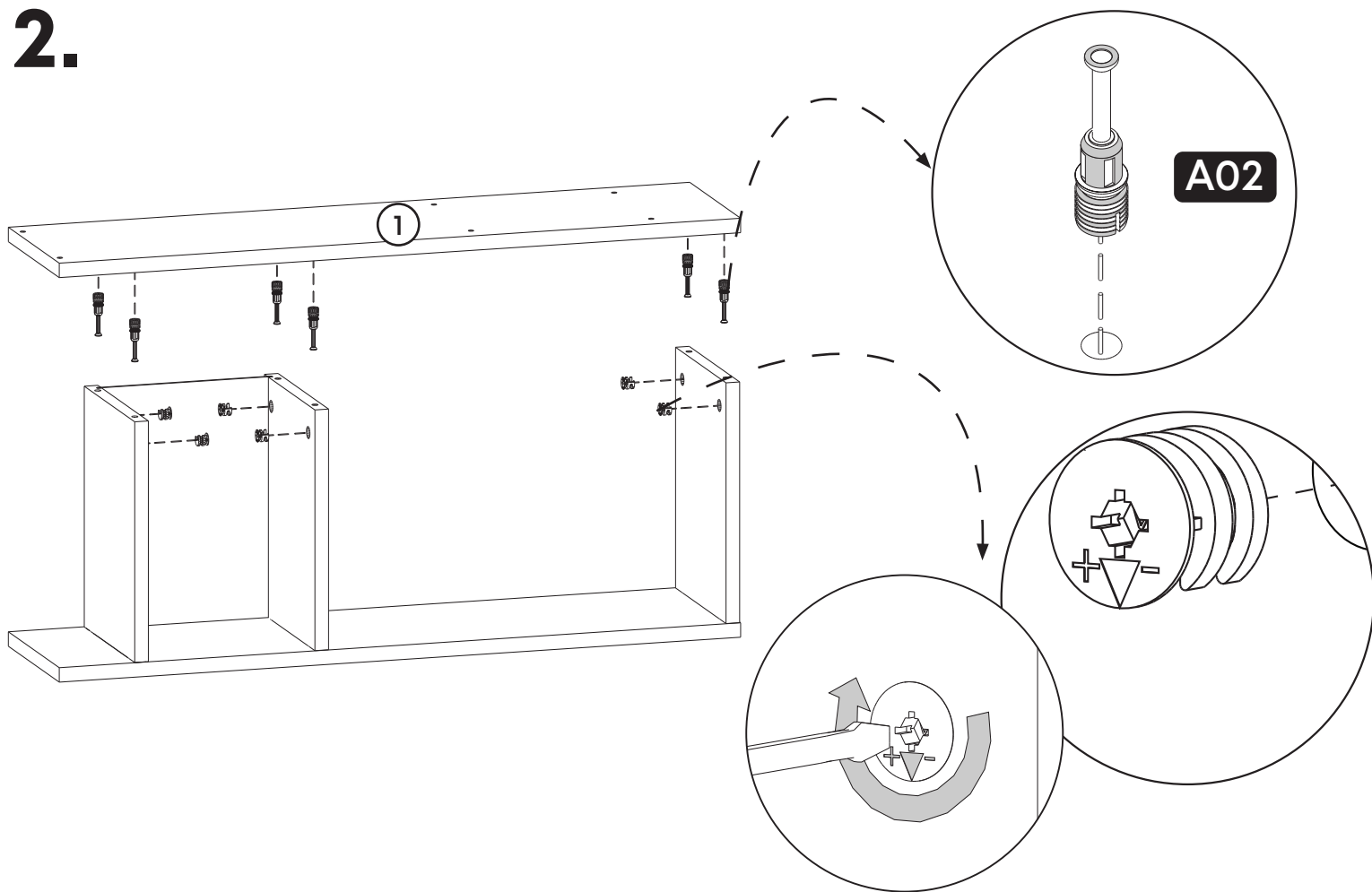
\*Please do not over screw the head since it may be broken if too much power is imposed. Just make sure that it is screwed to the direction "+" do not go any further.



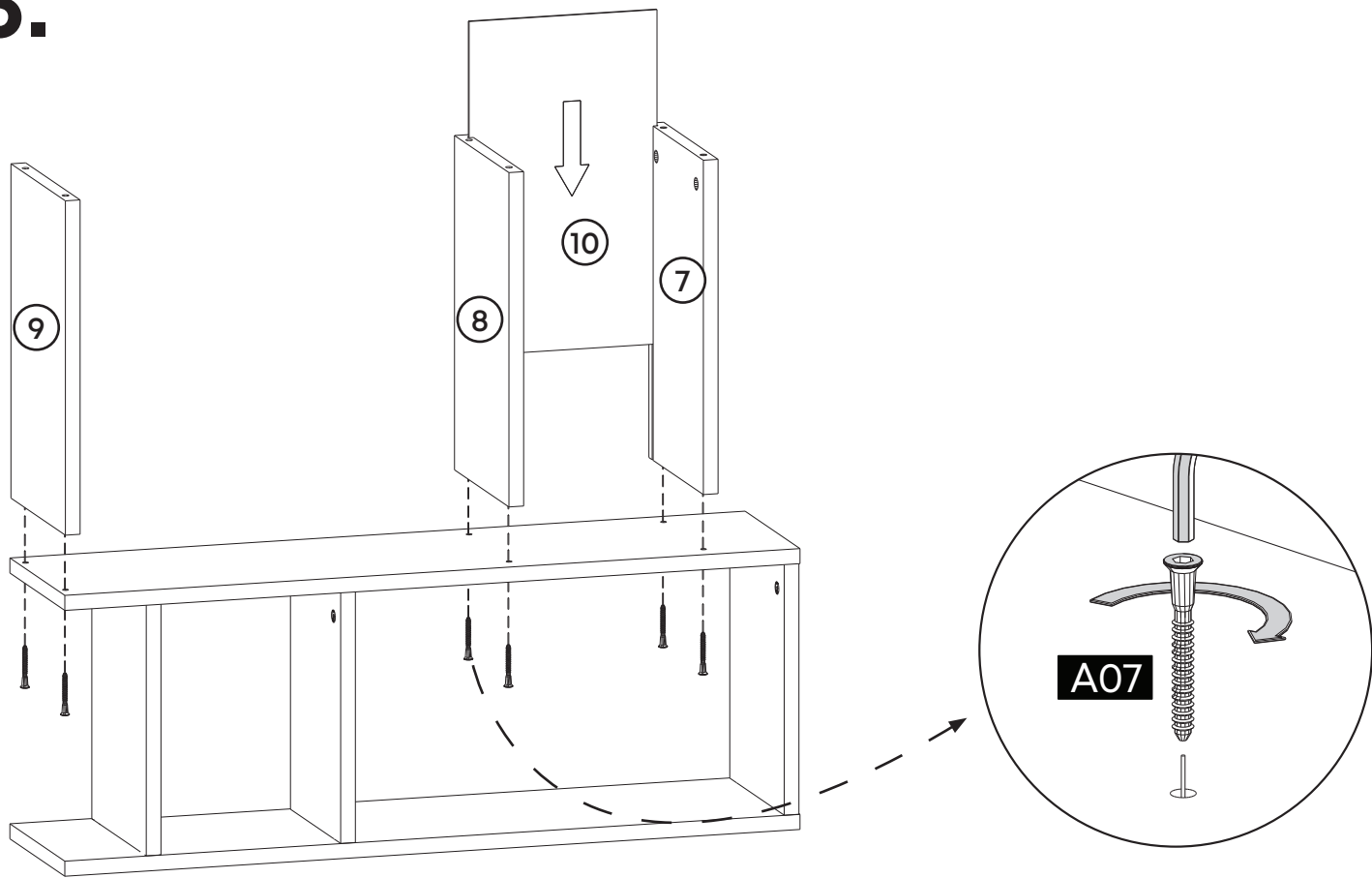
1.



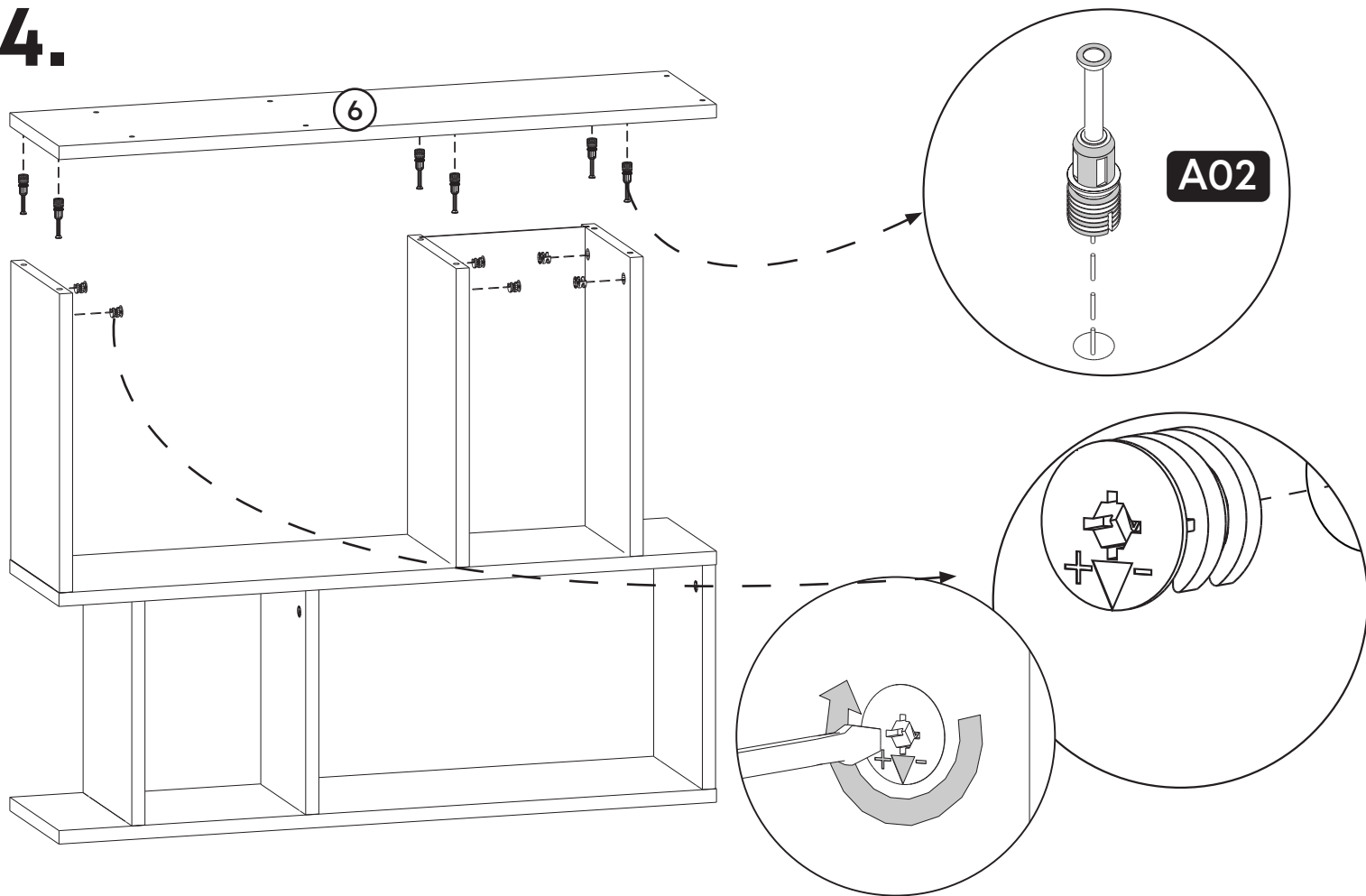
2.



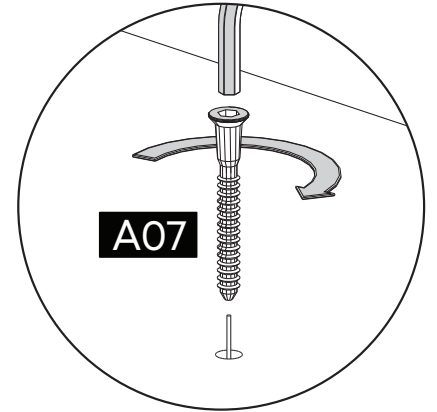
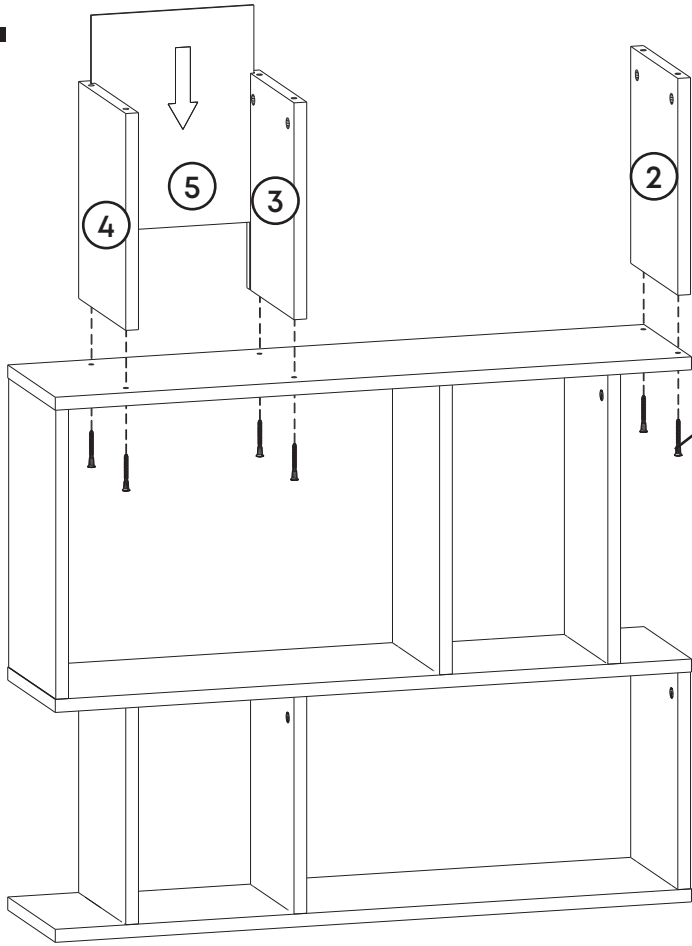
3.



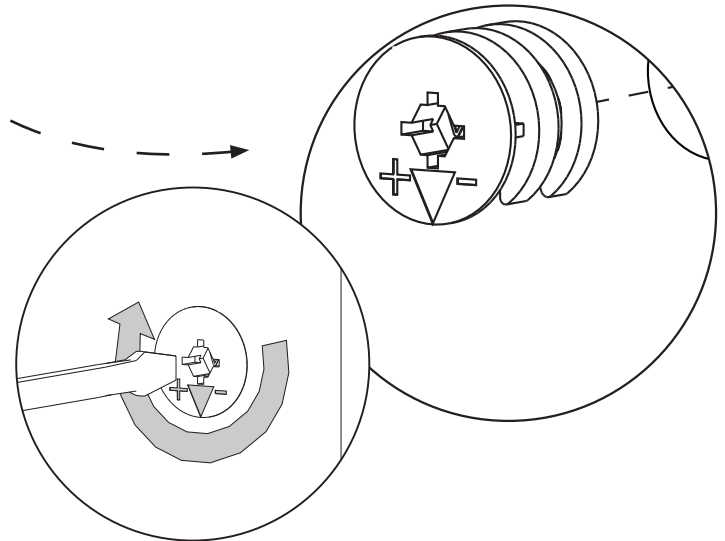
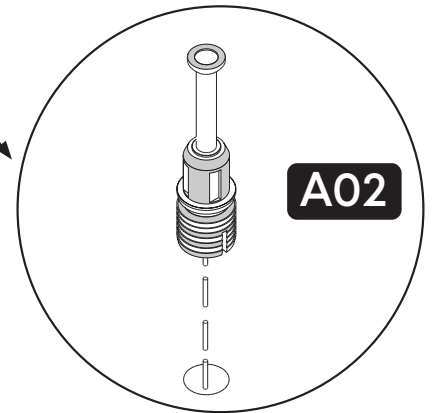
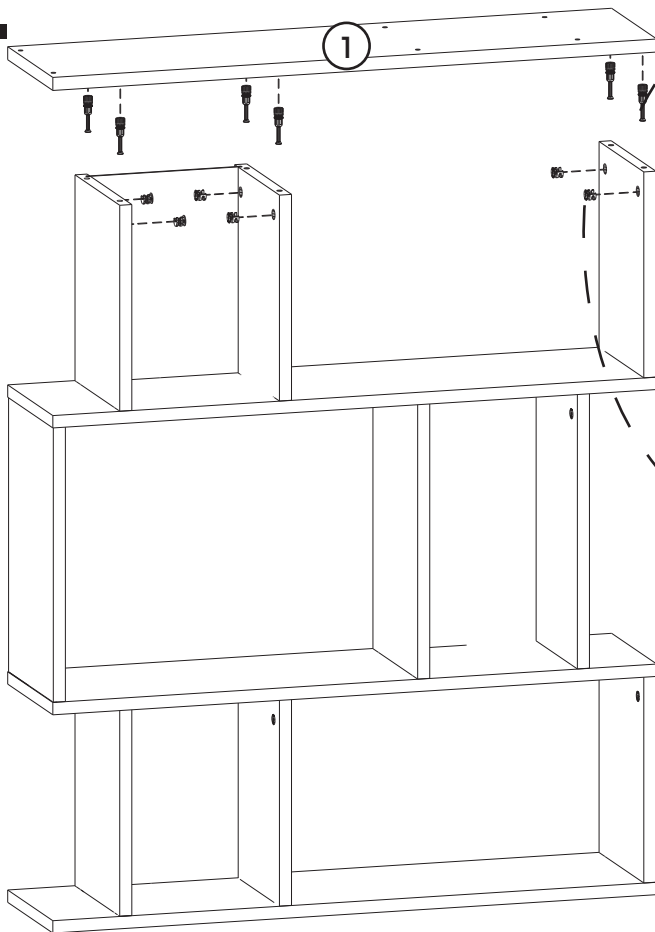
4.



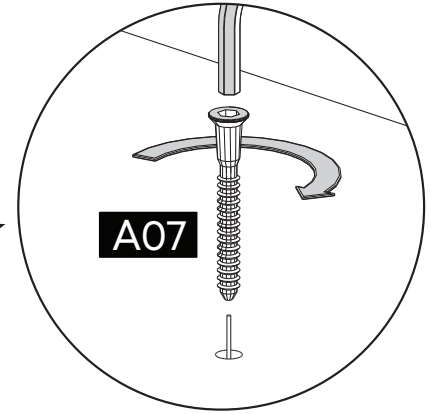
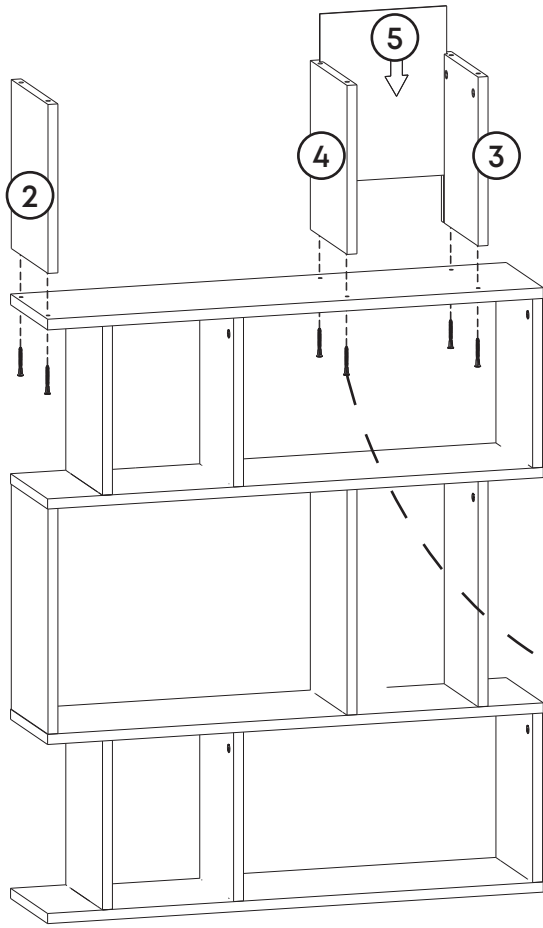
5.



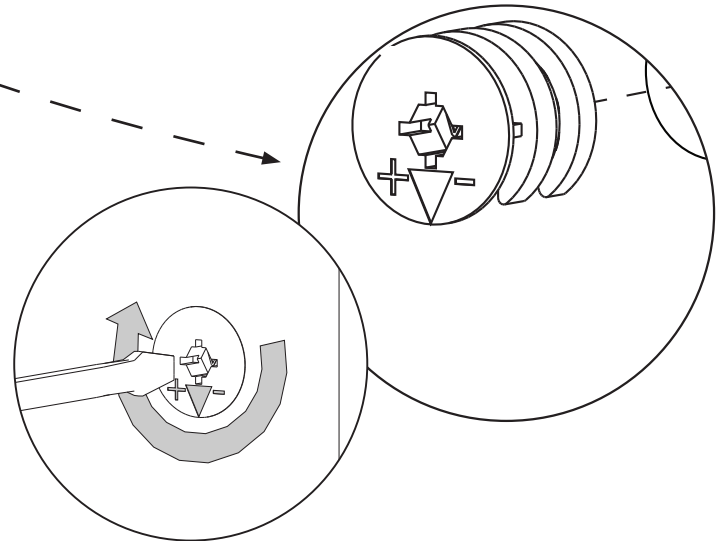
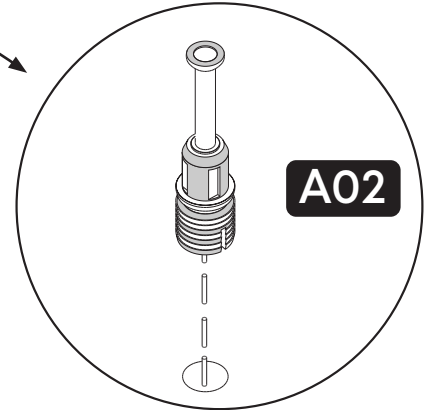
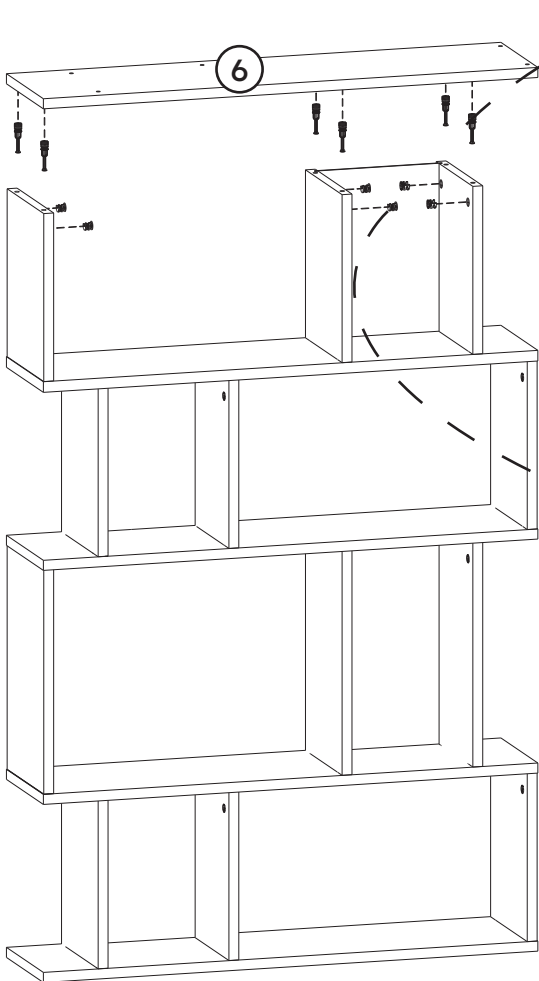
6.



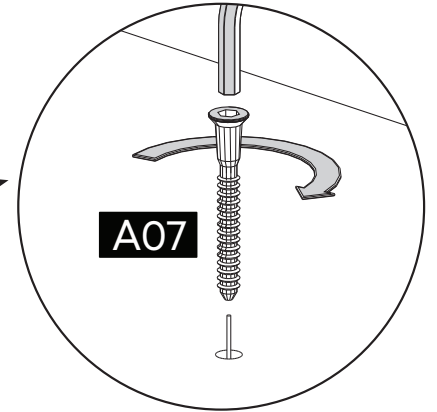
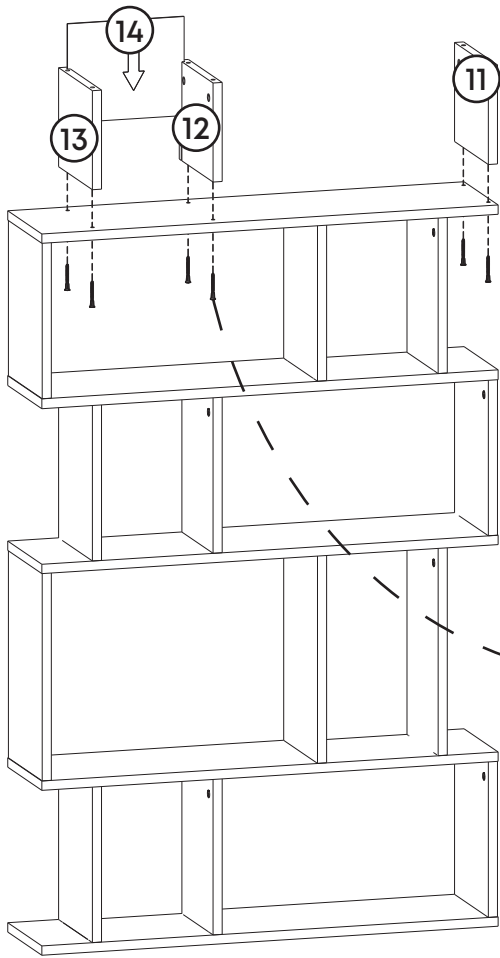
7.



8.

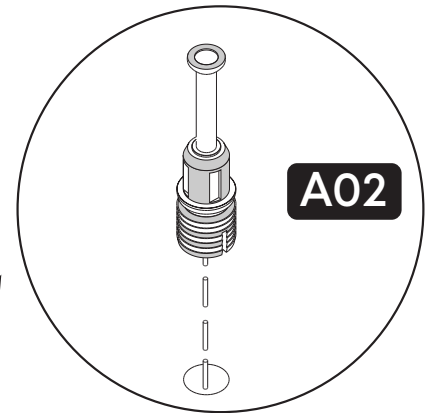
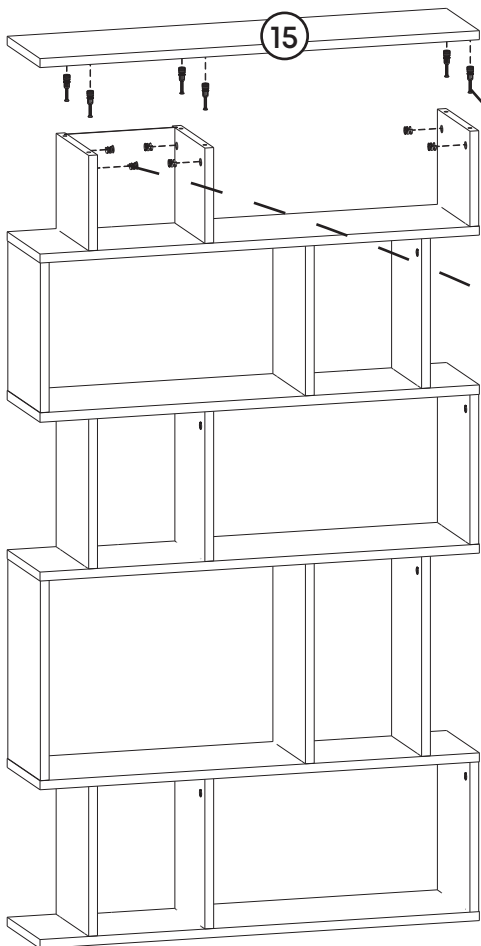


9.

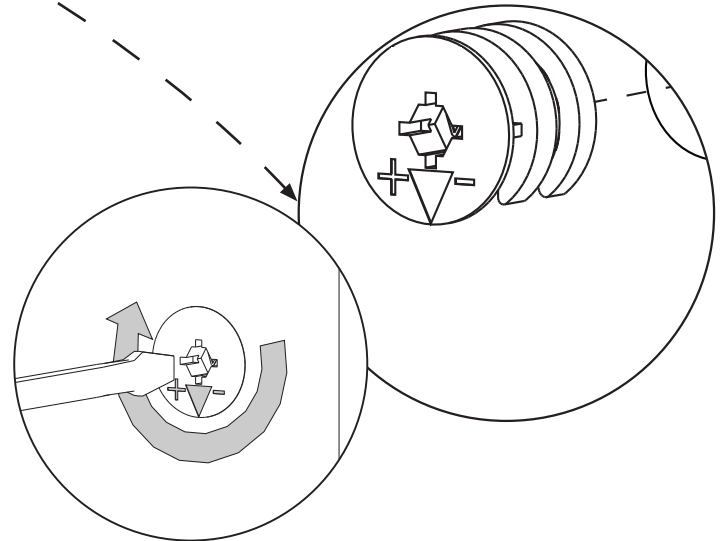


A07

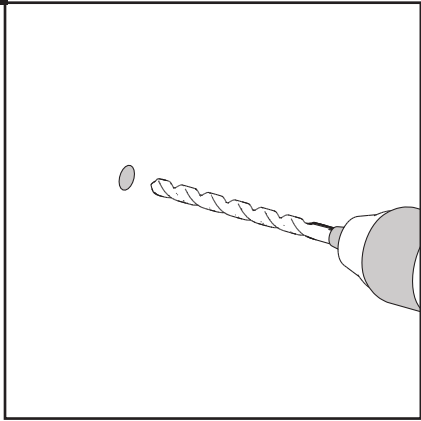
10.



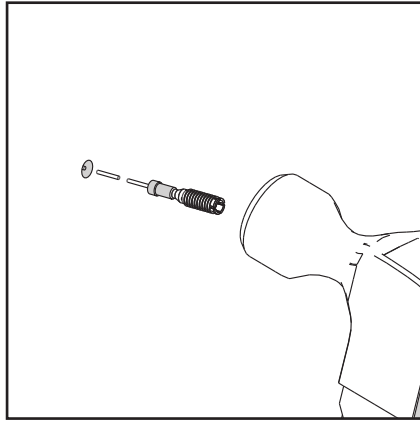
A02



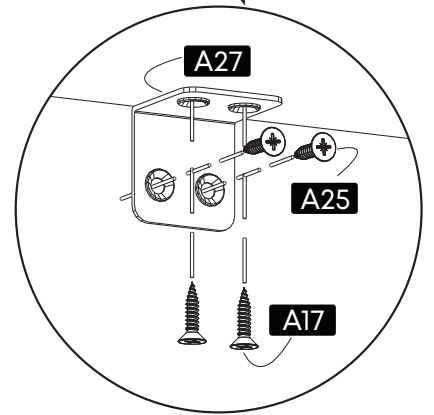
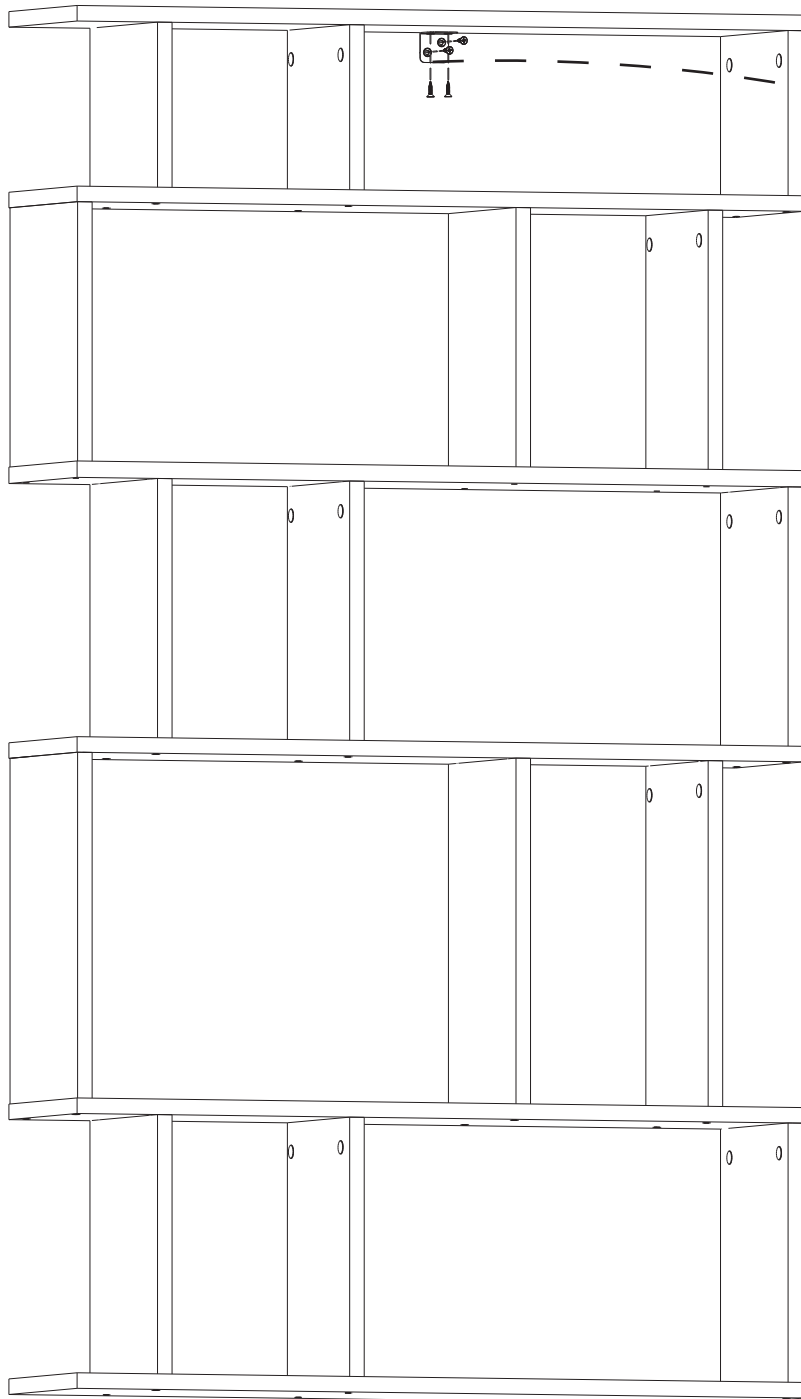
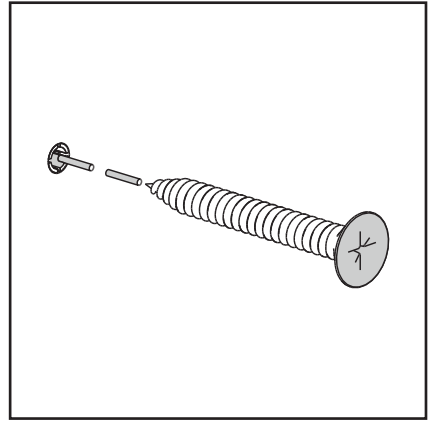
# 11 Drill The Wall



# Install The Dowel



# Install The Screw



# 12.

