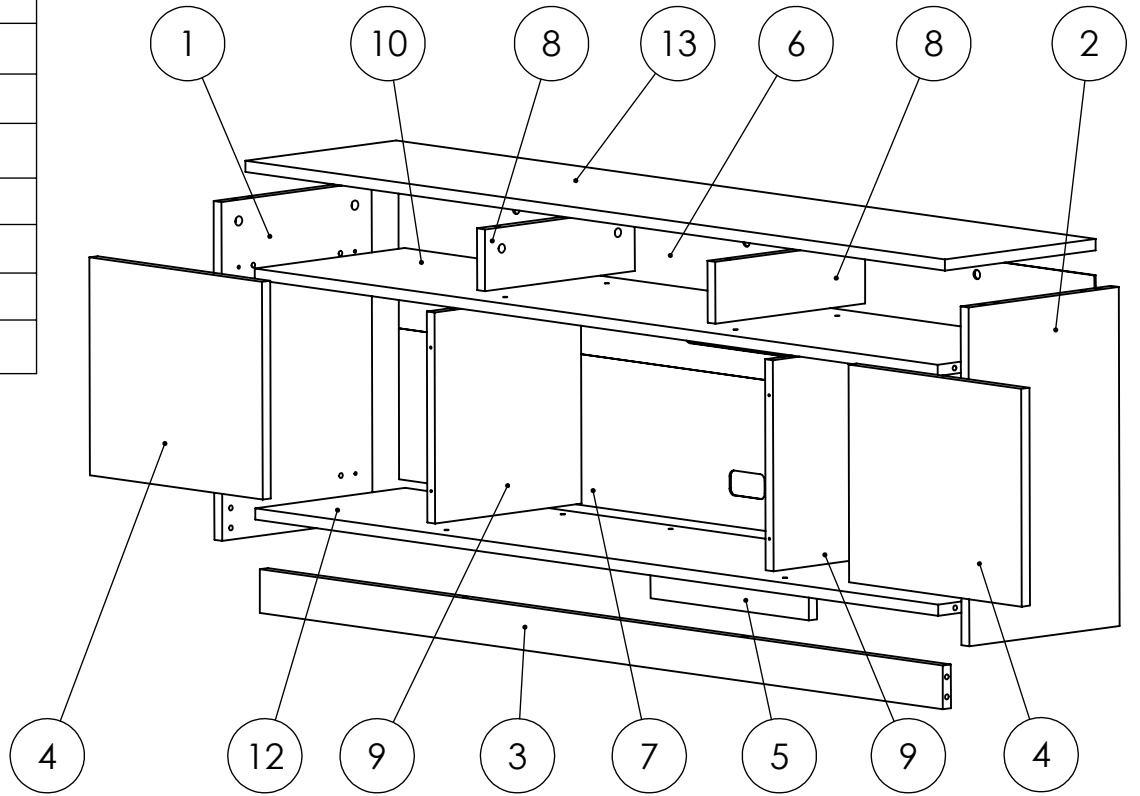
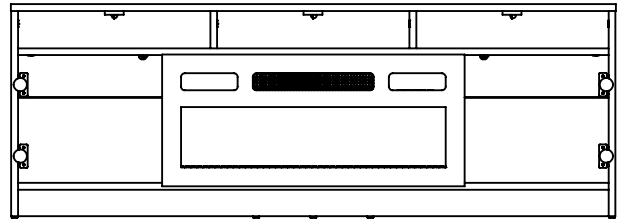
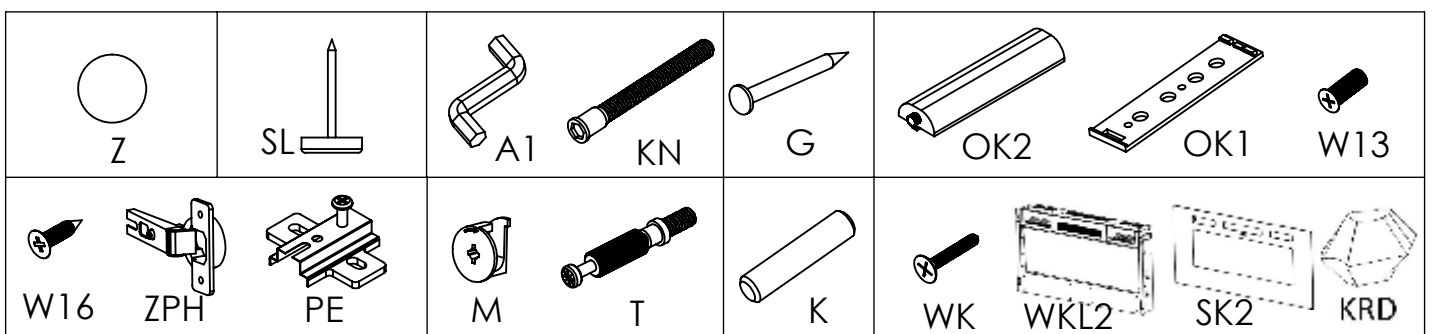


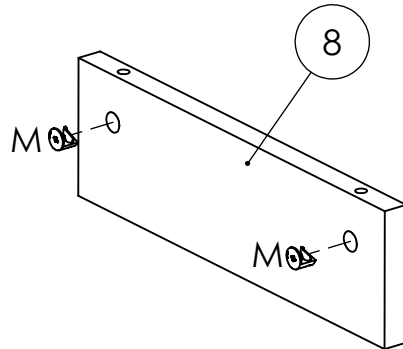
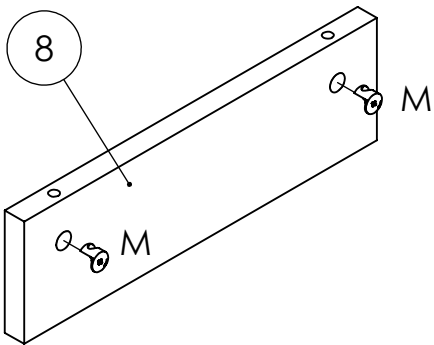
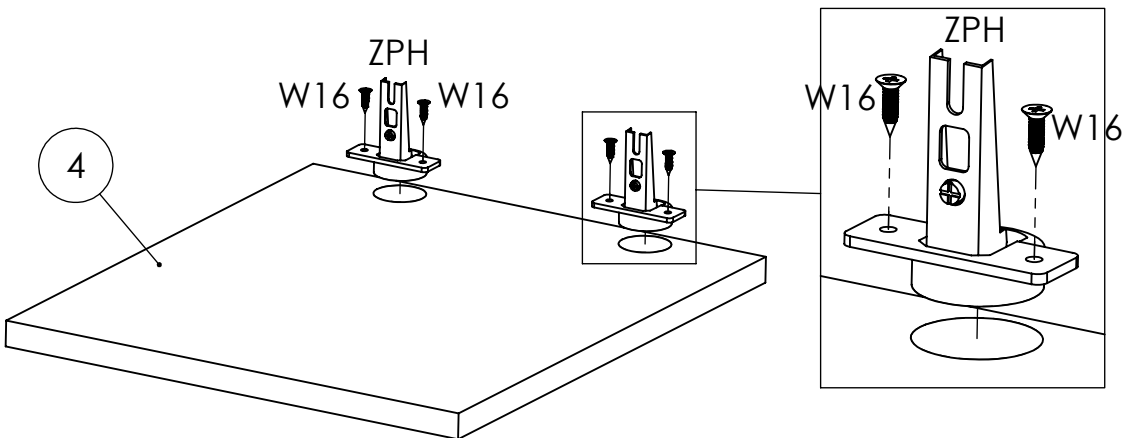
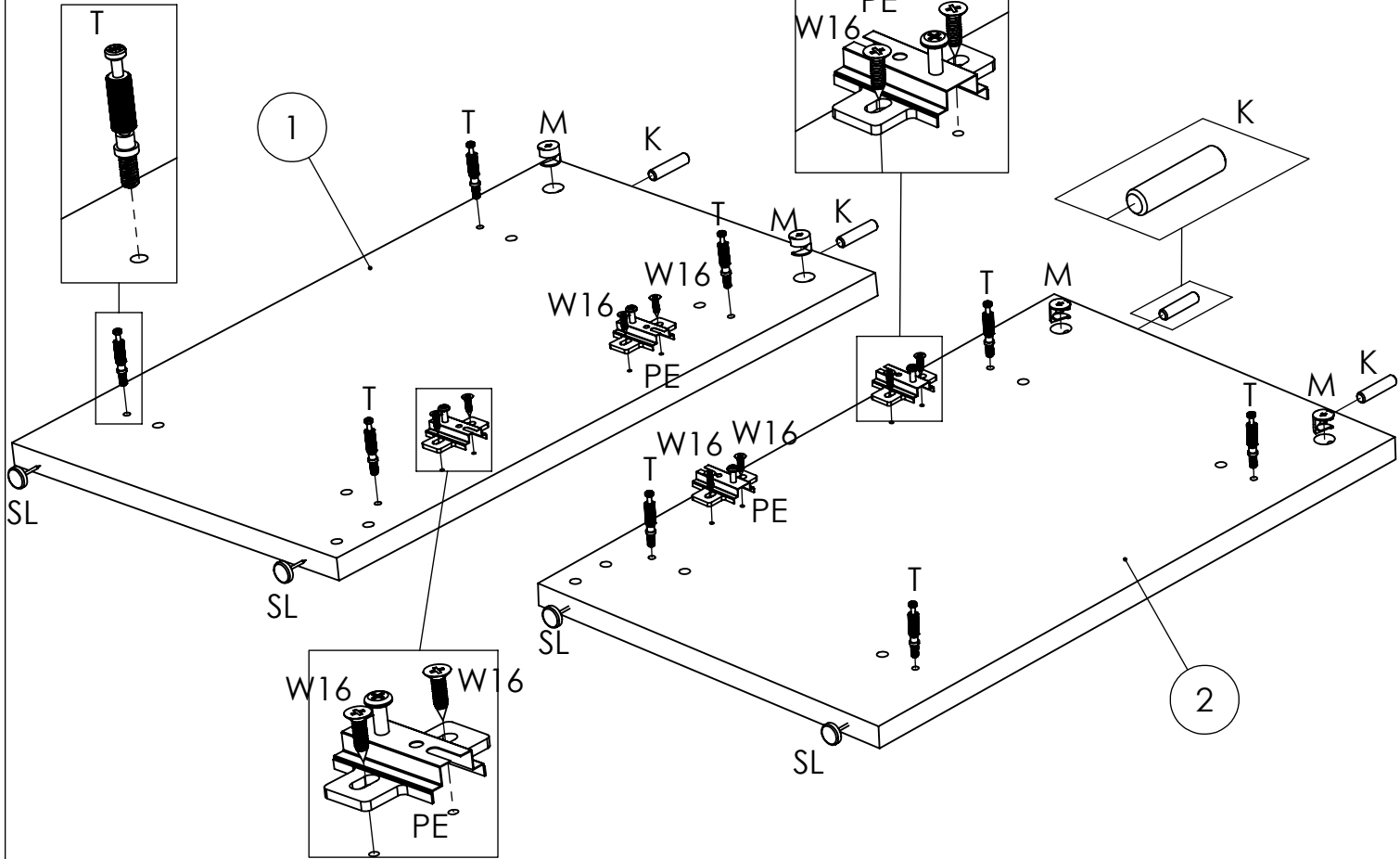
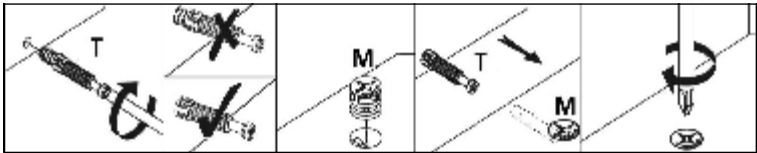
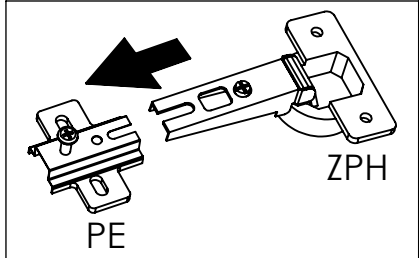
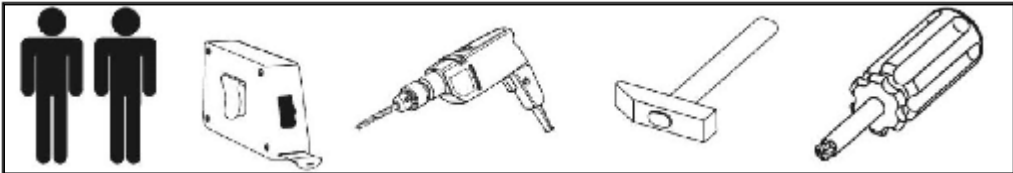
ELEMENTS	QTY
1	1
2	1
3	1
4	2
5	1
6	1
7	1
8	2
9	2
10	1
12	1
13	1

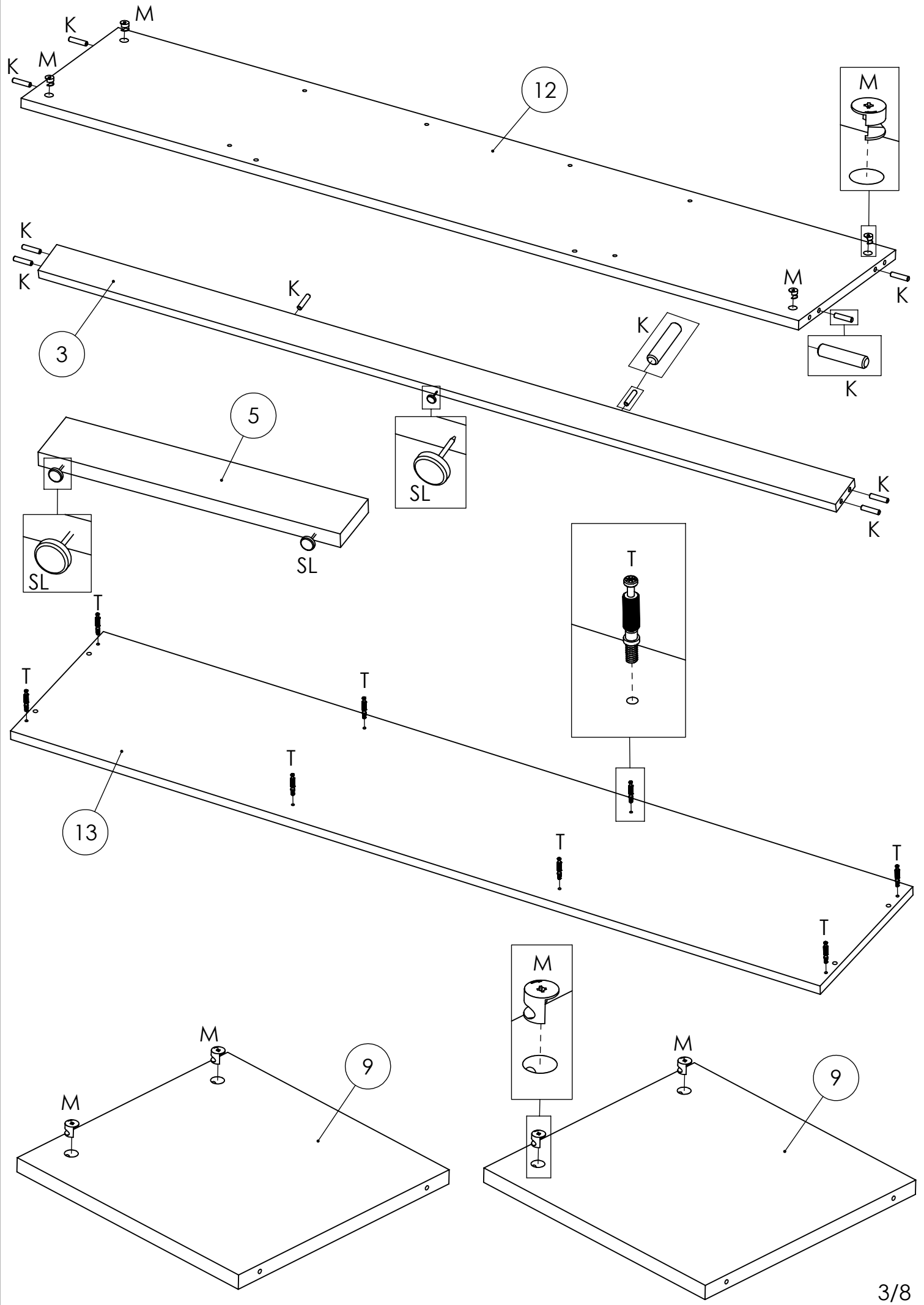


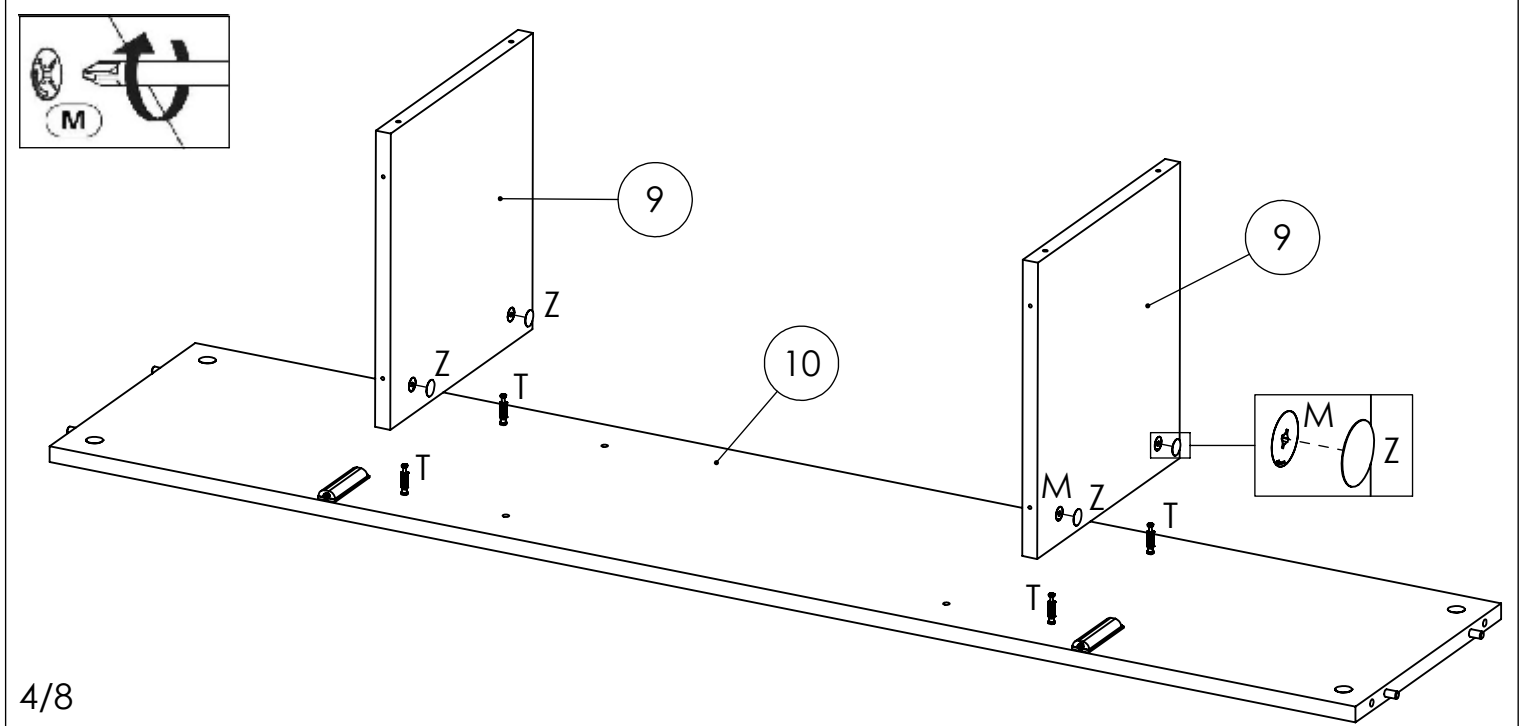
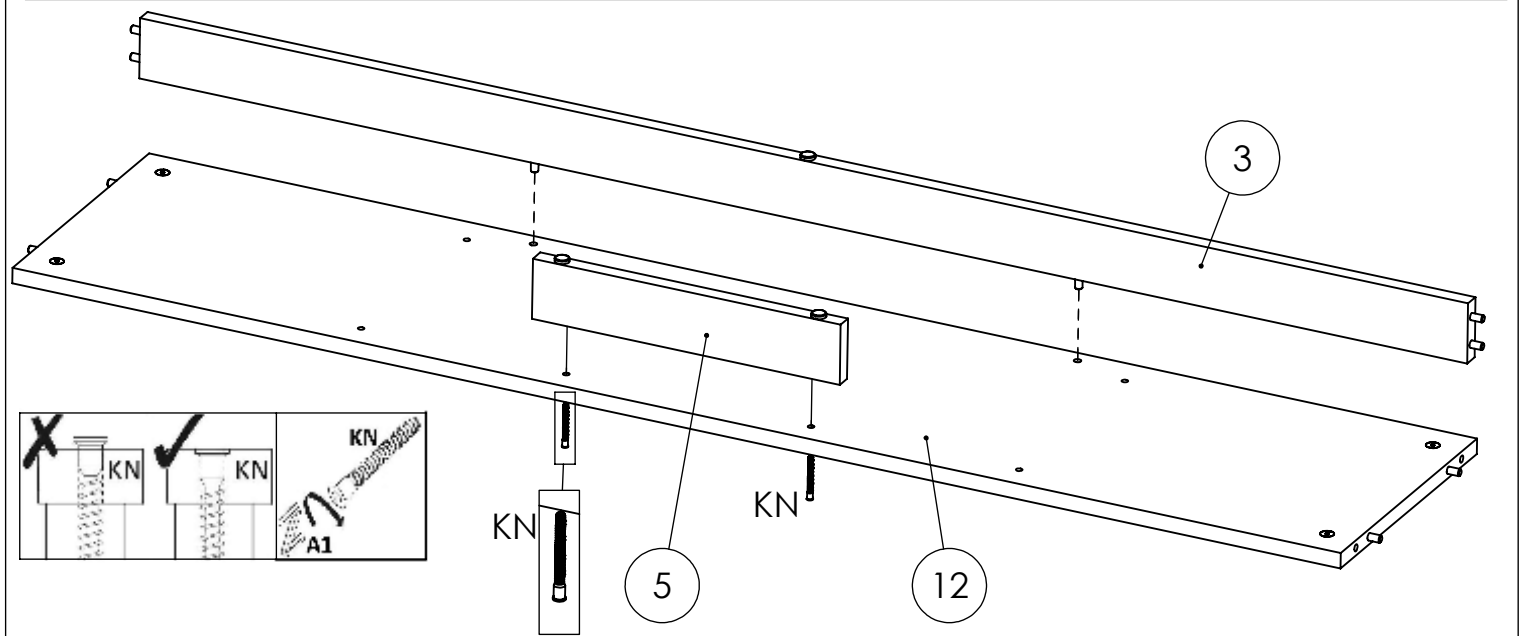
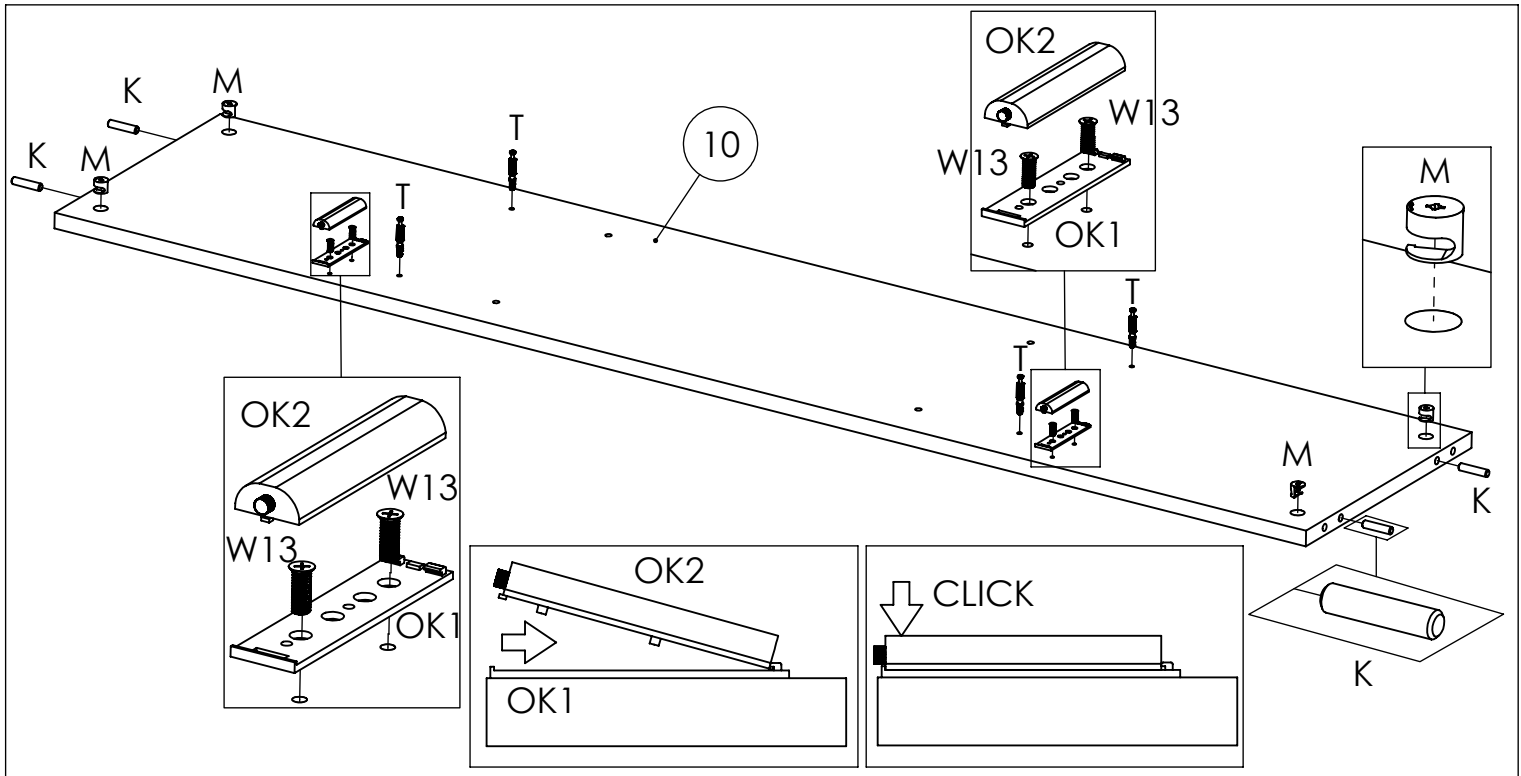
Element attached to the electric fireplace	Symbol	SK2	WKL2	WK	KRD
	QTY	1	1	4	110

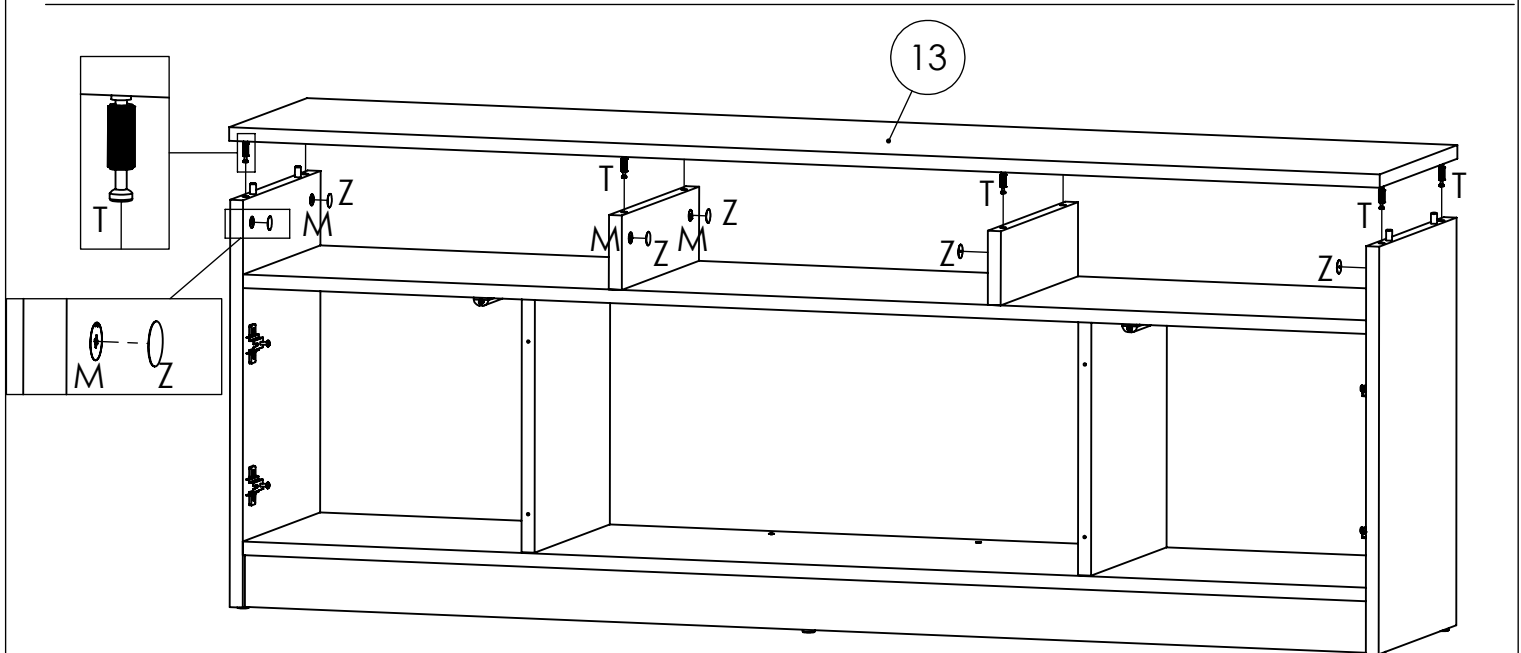
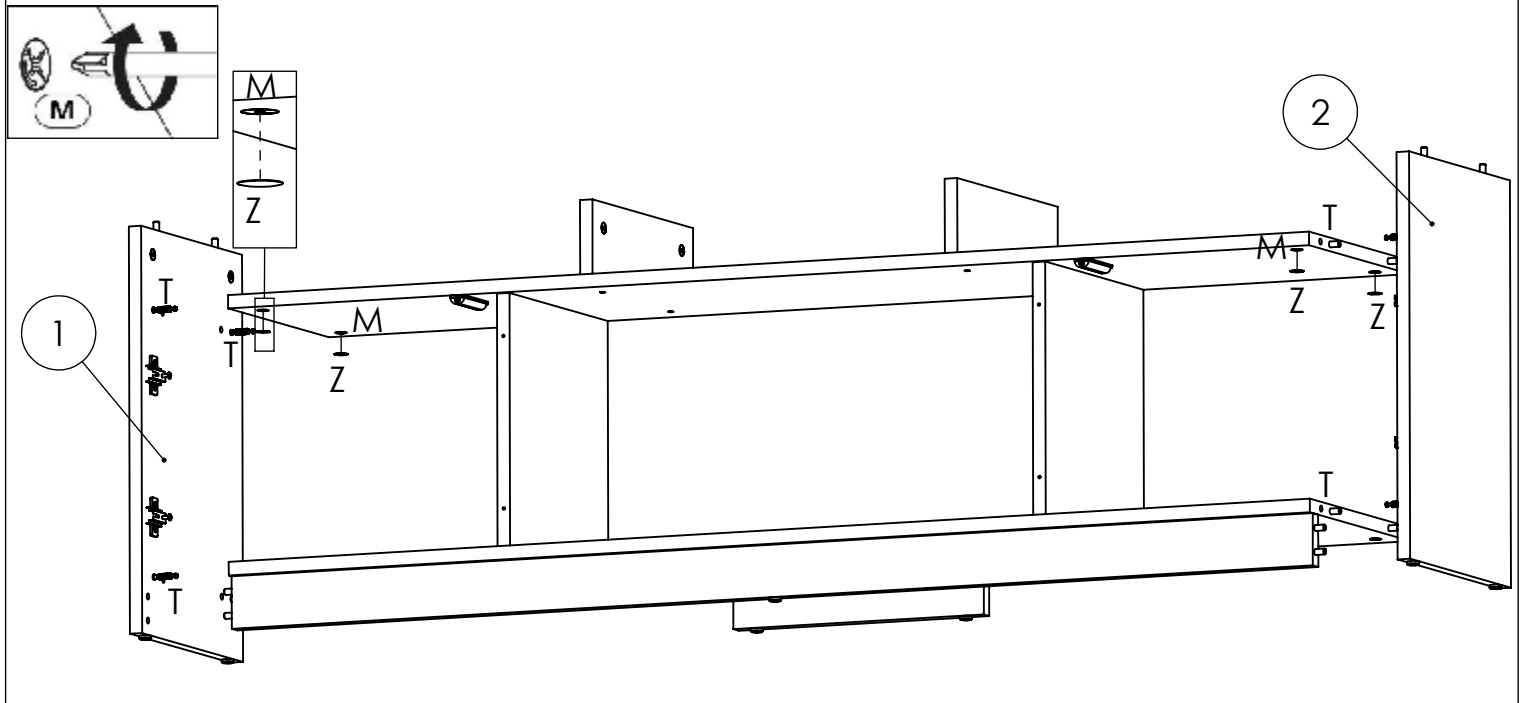
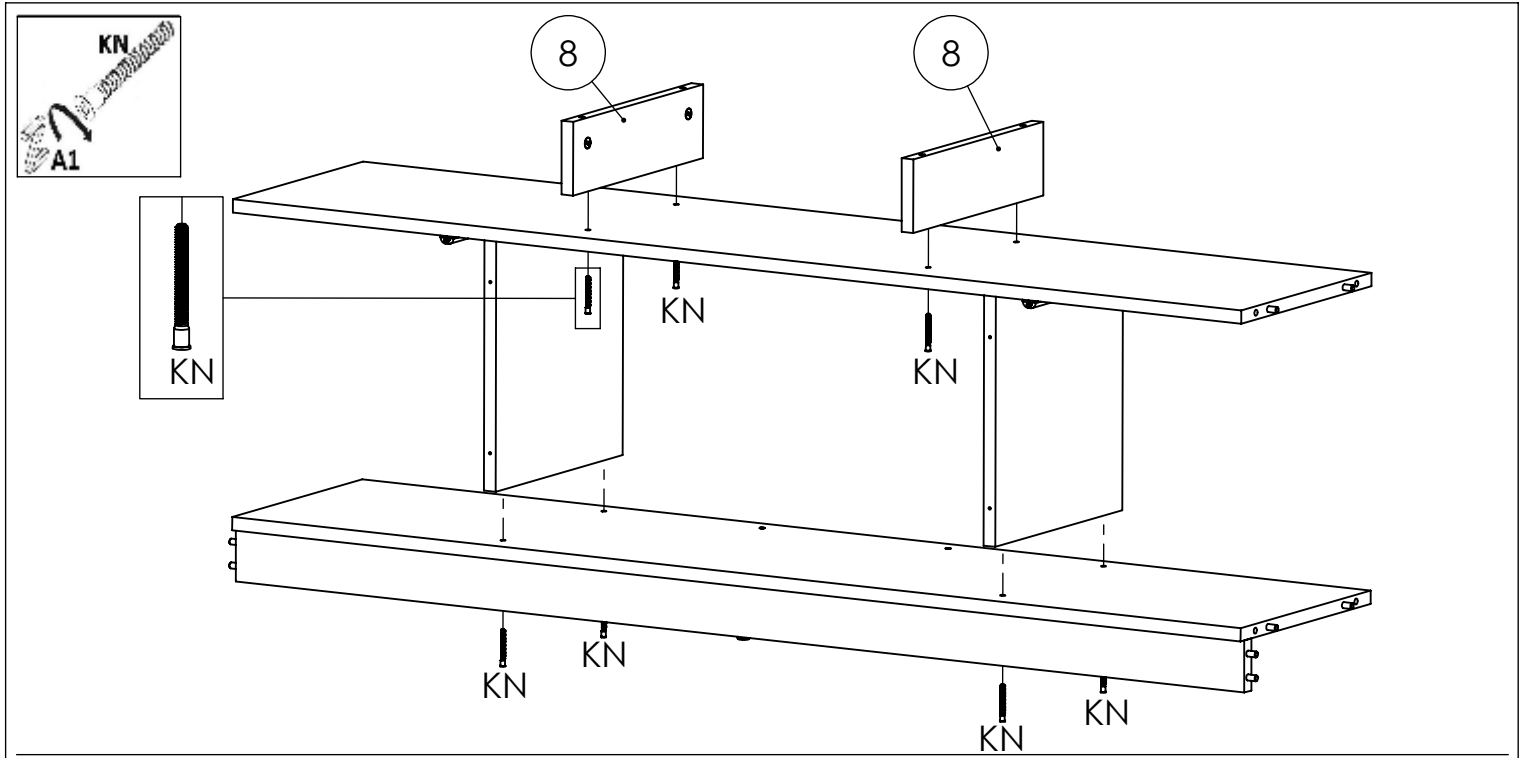
Accessories	Symbol	G	K	KN	M	OK1	OK2	SL	T	W16	W13	Z	PE	ZPH	A1
	QTY	28	18	10	20	2	2	7	20	16	4	16	4	4	4

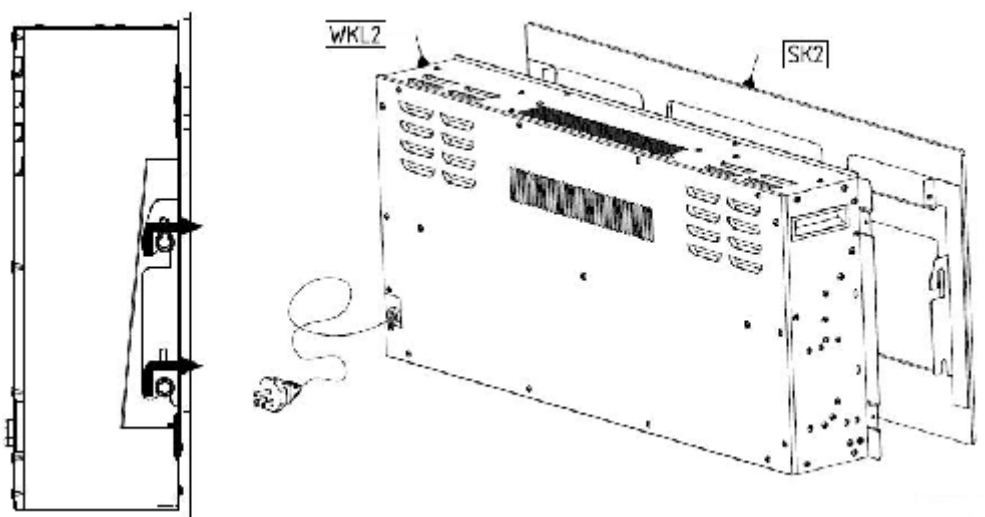
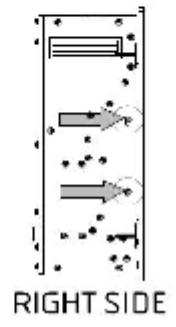
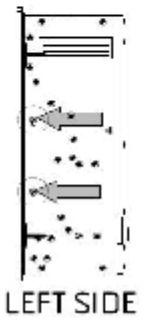
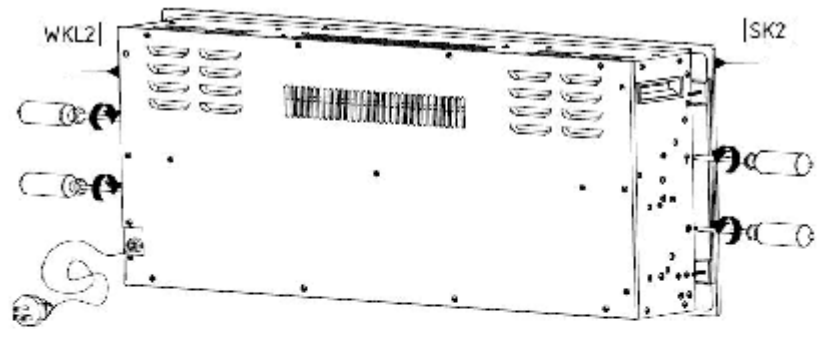
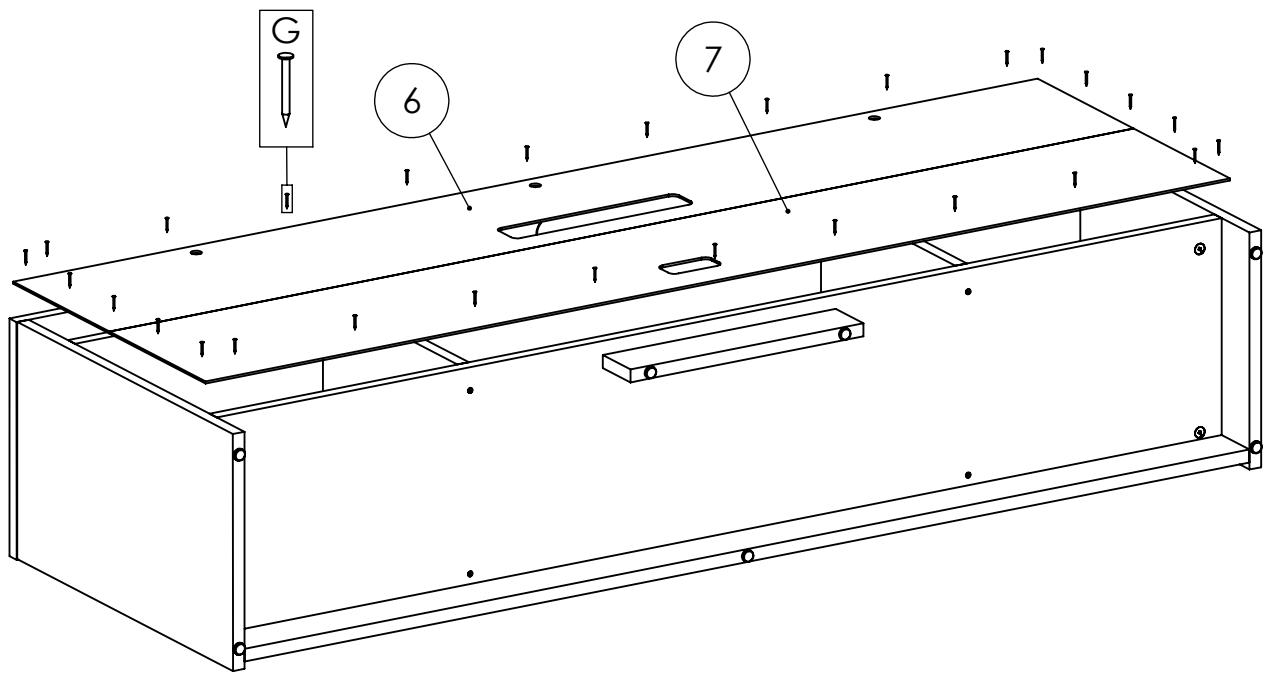
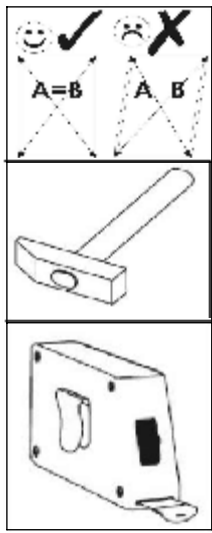


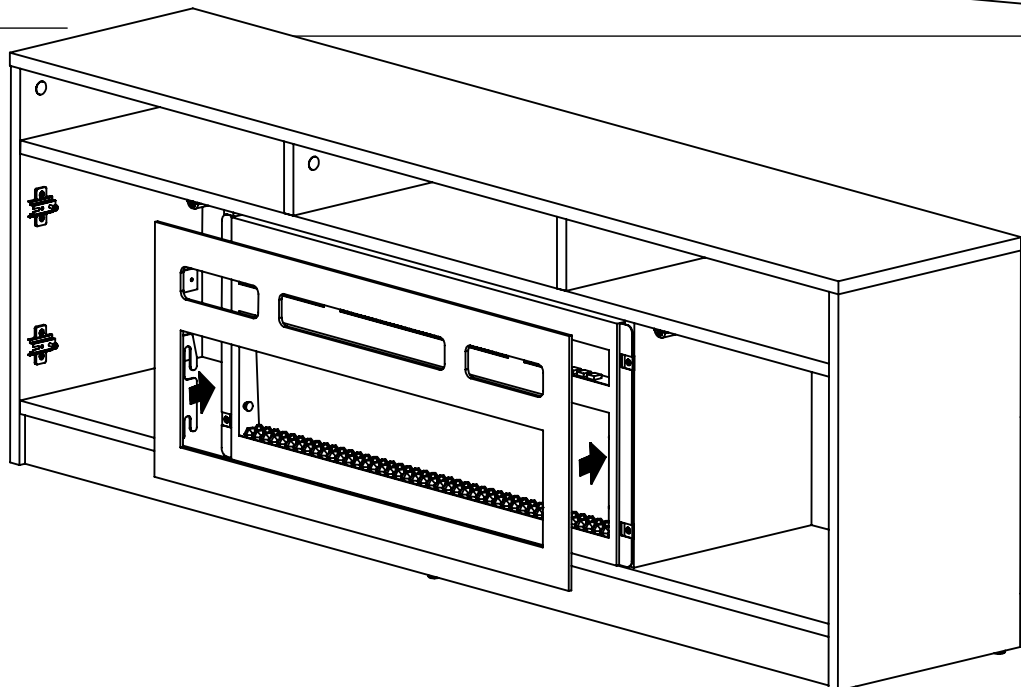
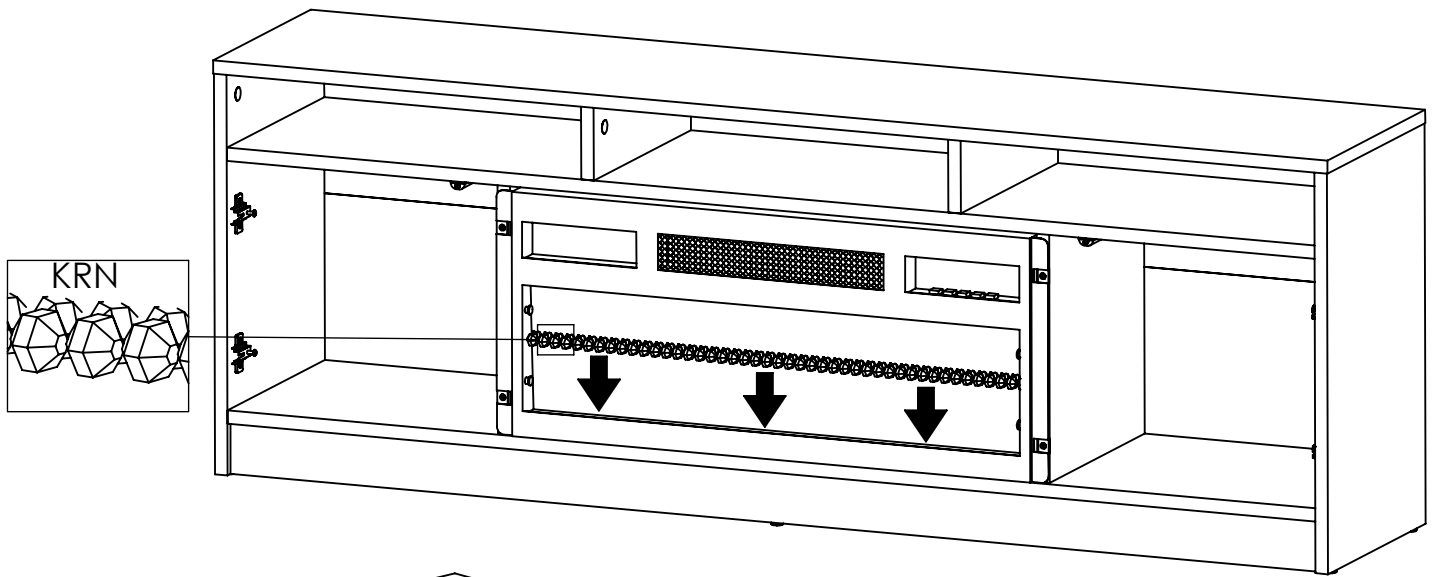
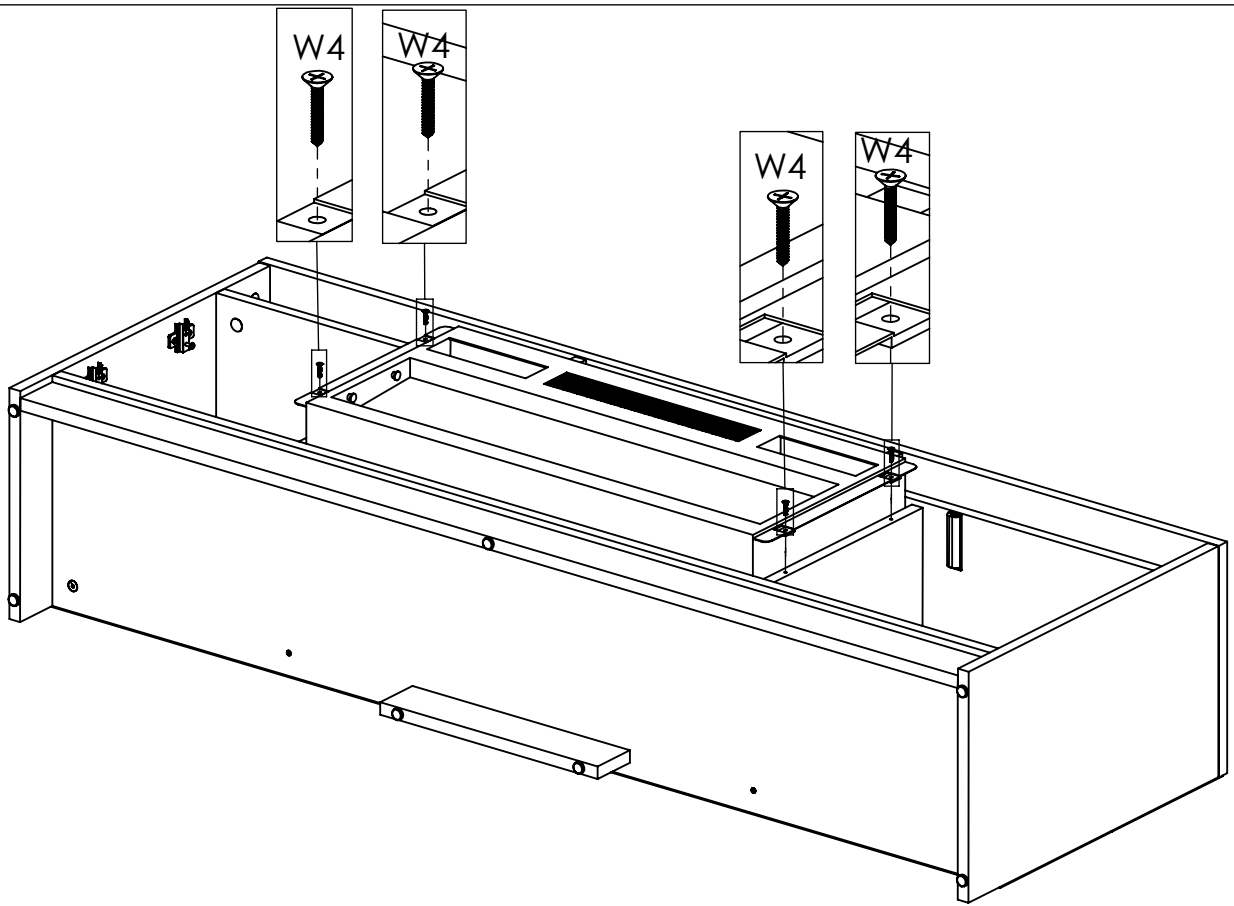


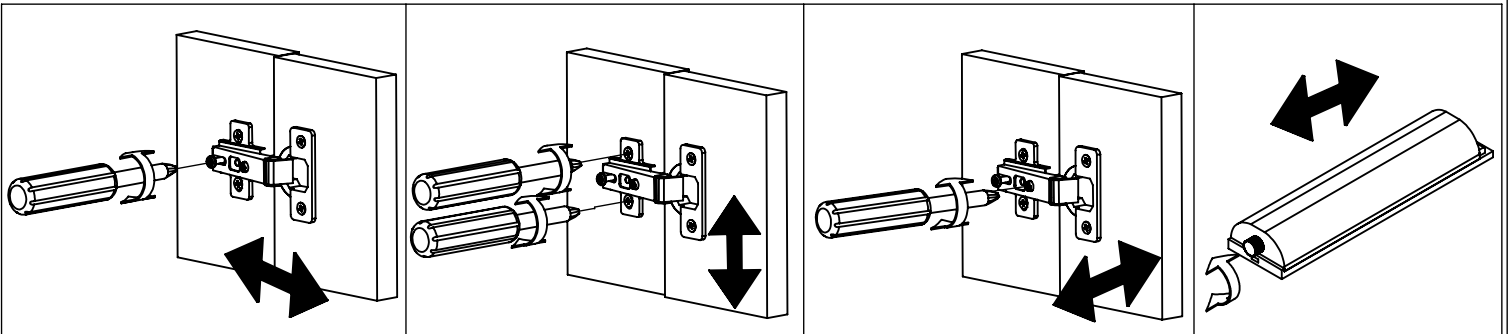
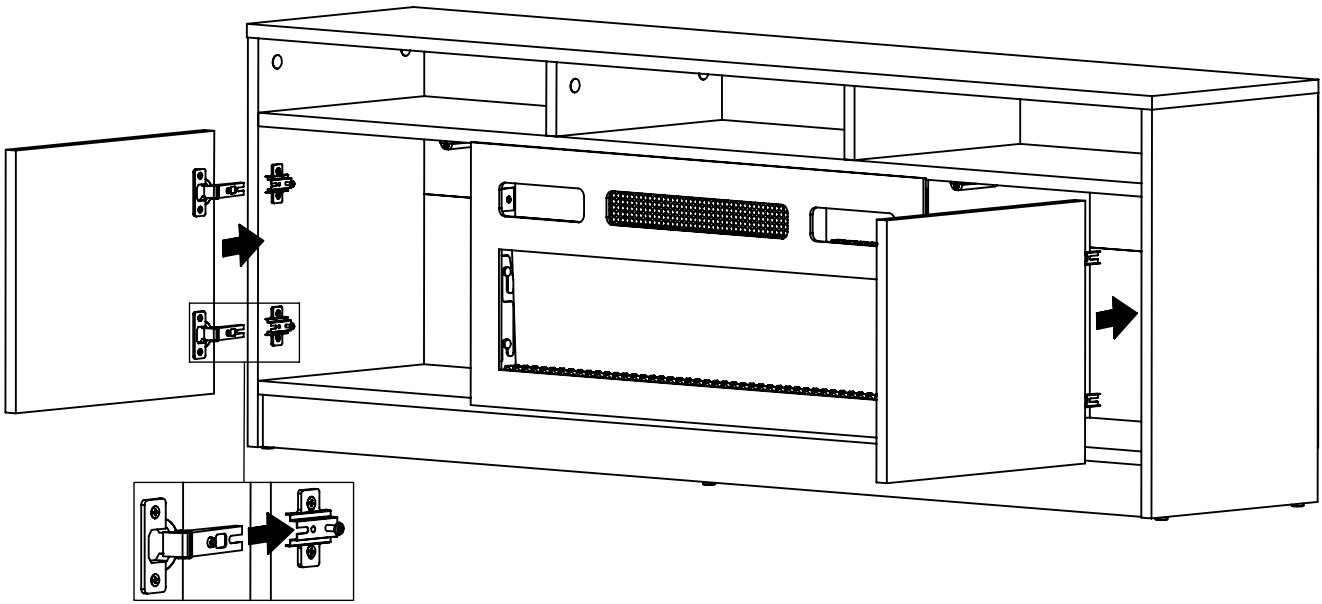
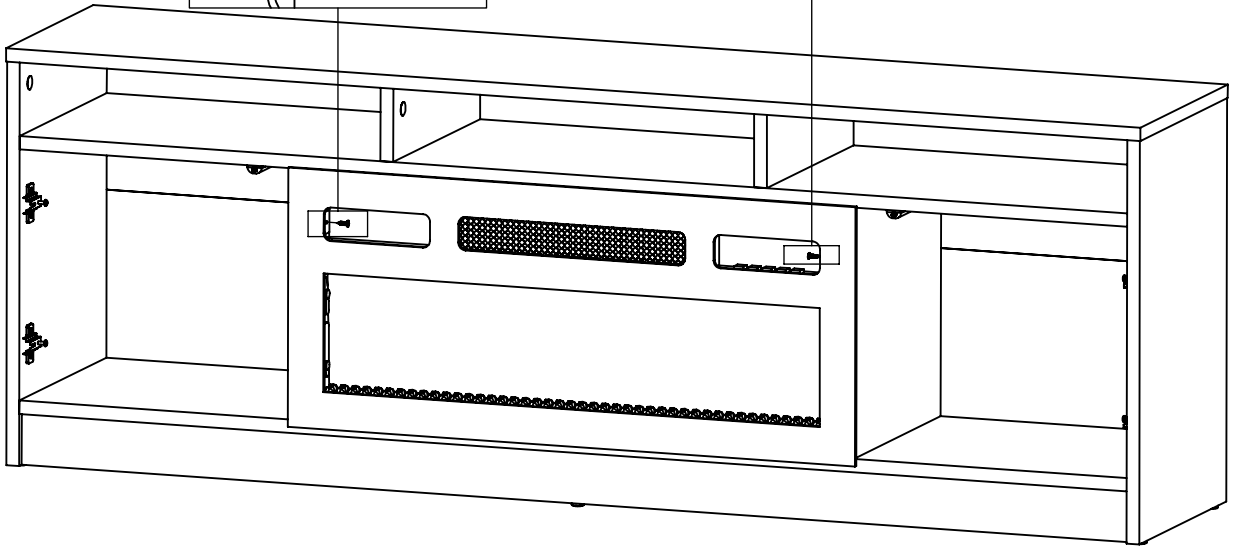
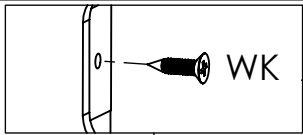












LED UNDER TOP

