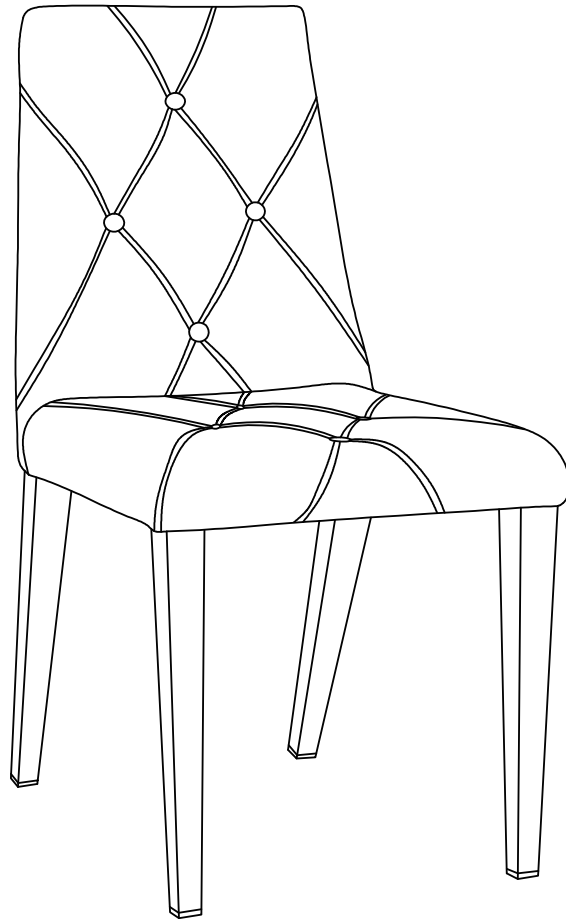


# INSTRUCTION MANUAL





## **Attention :**

If you encounter any problems during installation or use, pls feel free to contact us on shopping platform. We will provide you with a satisfactory solution within 24 hours.

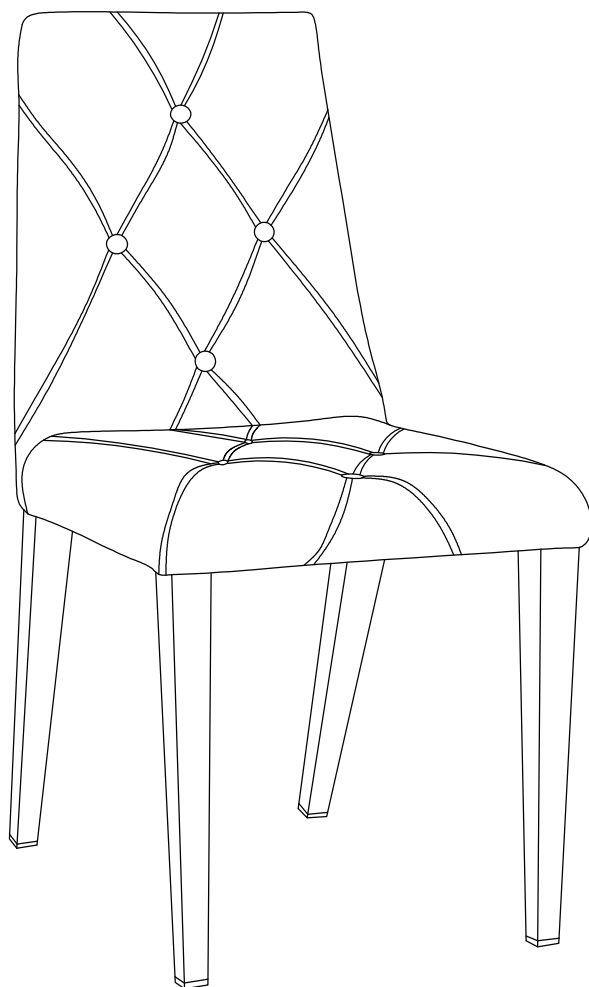
# Dining chair

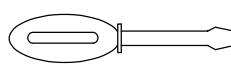
 1 - ITEMS DELIVERED-TECHNICAL DATA


 2 - ASSEMBLY

 3 - CLEANING AND MAINTENANCE

 1 - ITEMS DELIVERED-TECHNICAL DATA



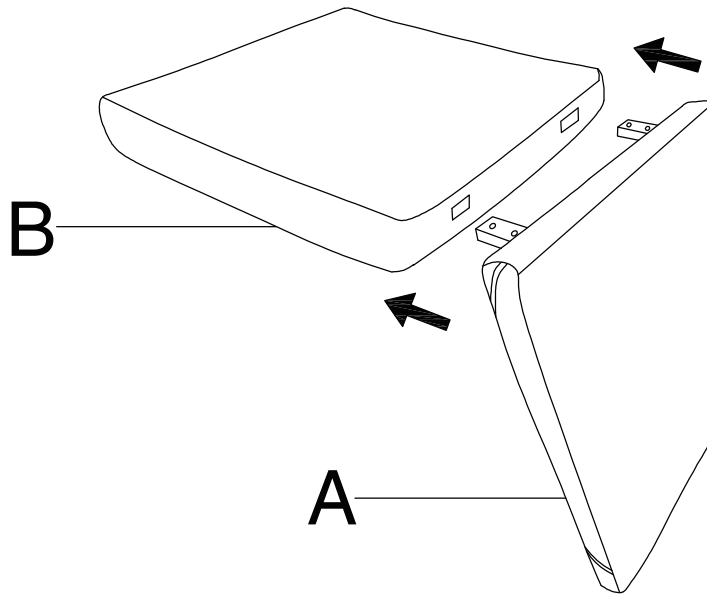
TO RISE  
  
YOURSELF

  
ASSEMBLY

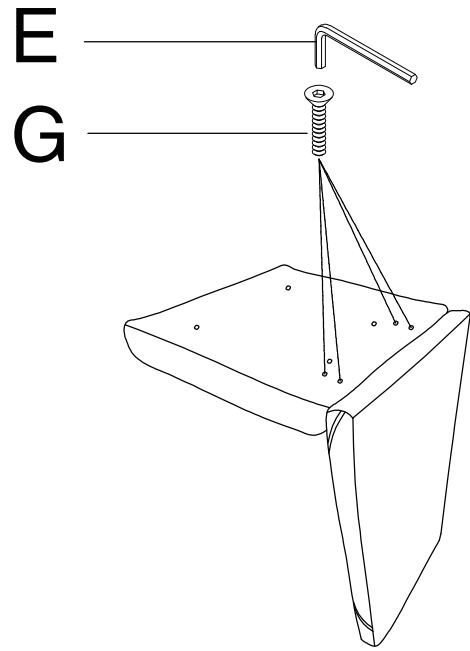
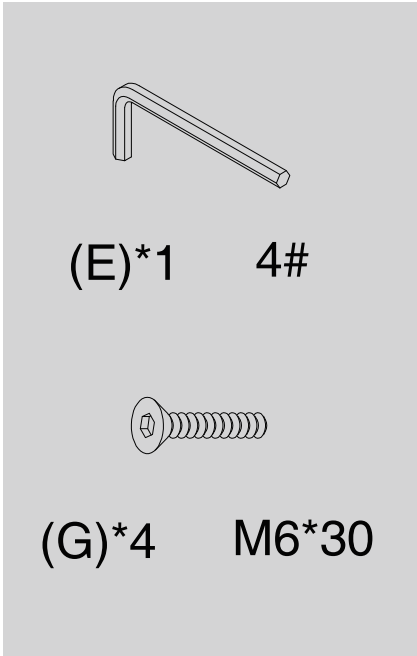


## 2 - ASSEMBLY

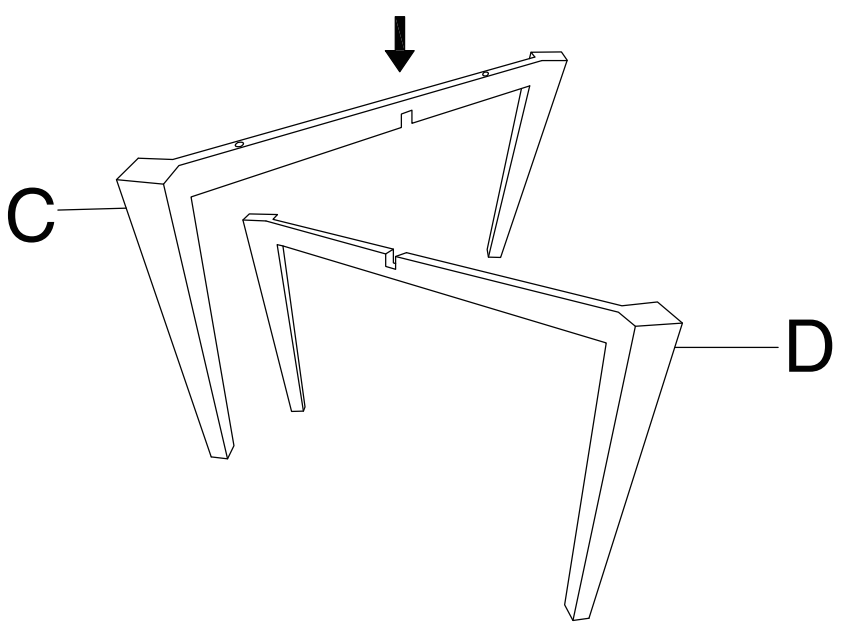
(A)*1		(B)*1	
(C)*1		(D)*1	
(E)*1		4# (F)*1	5#
(G)*4		M6*30 (H)*4	
(I)*4		M6*13 (J)*8	
(K)*1		100*100*3 (L)*1	



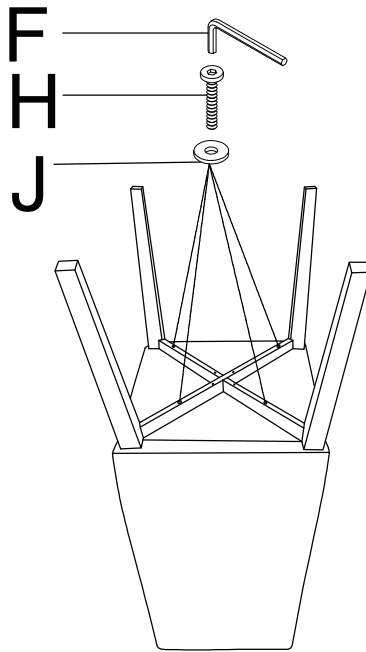
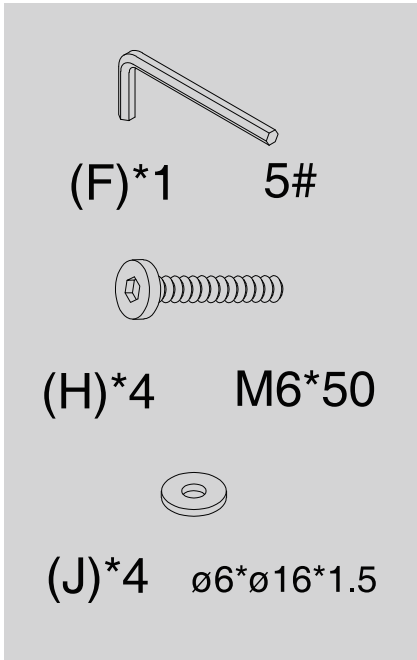
**1**



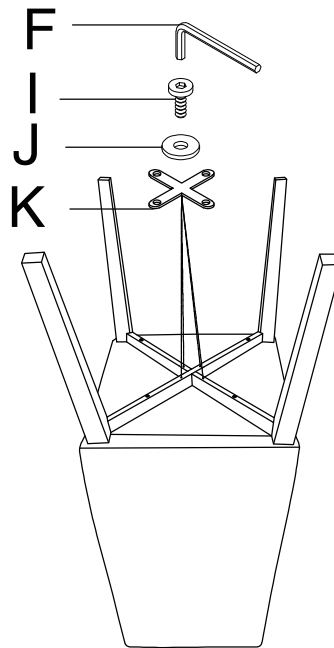
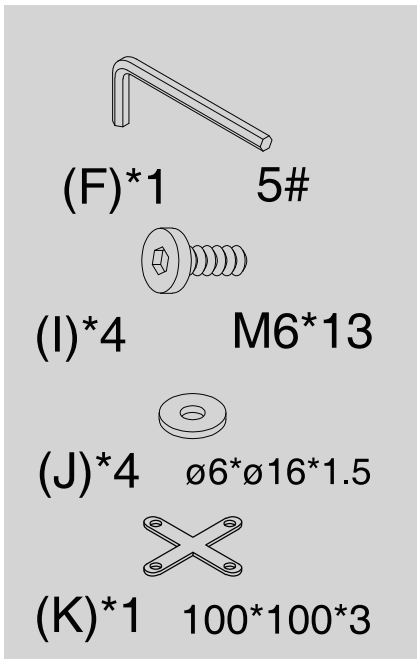
**2**



**3**



**4**



**5**



### 3 - CLEANING AND MAINTENANCE

- Do not use corrosive or abrasive for cleaning products.
- Clean with a soft cloth
- Don't interfere with metal objects in a mechanism, so that they are threatened with serious deterioration.