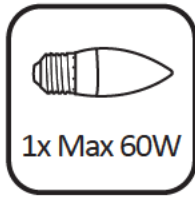


# Instruction Manual



220-240V  
50HZ

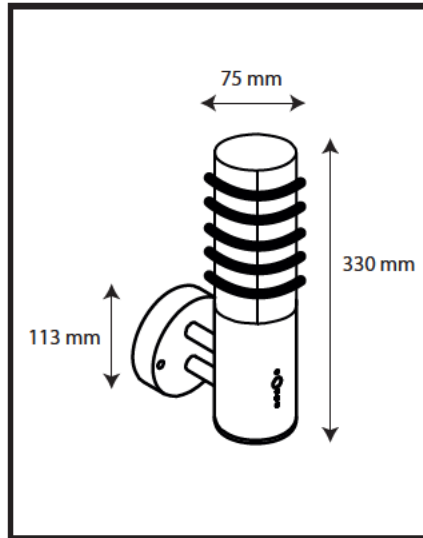


This product needs to be installed by a qualified electrician to current building regulations.

### PIR Settings:

**Sensitivity**  
**Time**

**Sensitivity:** 2m (Anti-clockwise) - 8m (Clockwise)  
 **Time:** 8 secs (Anti-clockwise) - 5 mins (Clockwise)



<b>1</b> 	<b>2</b> 	<b>3</b> 	<b>4</b> 
<b>5</b> 	<b>6</b> 	<b>7</b> 	<b>8</b> 