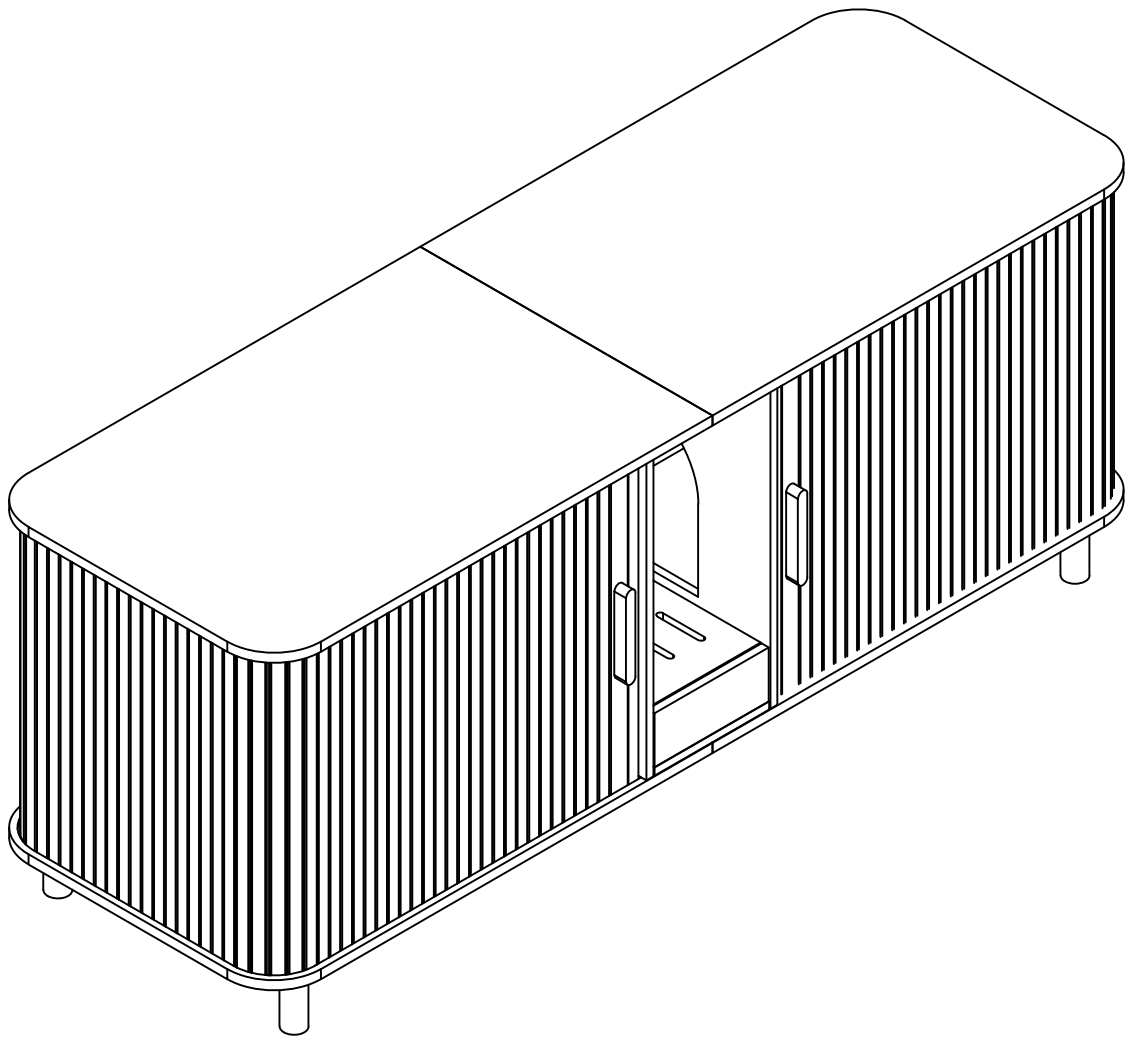


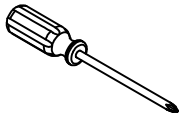
# Installation Instruction



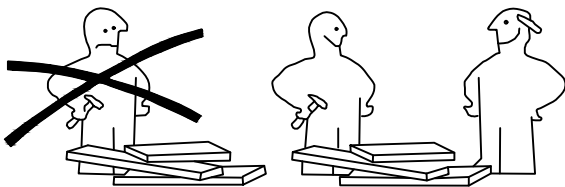
# Assembling

## What you need

- Use the packaging carton as a working surface to prevent product damage during assembly
- Phillips head screwdriver



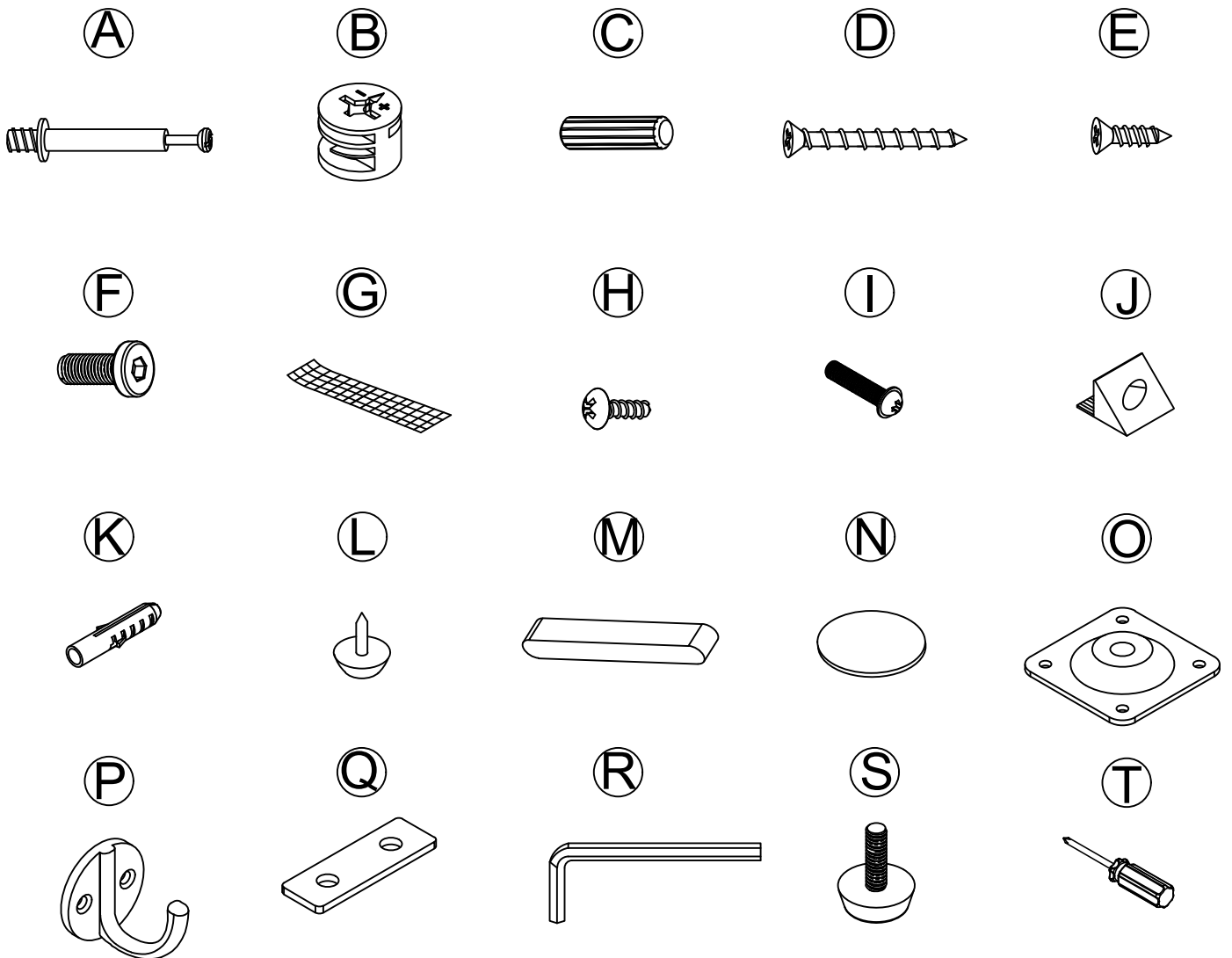
## Weight Limitation



# What' included

Code	Description	Qty
A	Cam Bolt M6X35MM	22
B	Cam Lock 15X10MM	22
C	Wooden Dowel M8X30MM	26
D	Screw M4X40MM	20
E	Screw M3.5X14MM	26
F	The screw M6X12MM	4
G	Metal connector	2
H	Screw M4.0X14MM	20
I	Cam Bolt M4X12MM	4
J	The back button	20
K	Anchor	2
L	MATS	4
M	Solid wood handle	2
N	Self-adhesive hole sticker	22
O	The metal plate	5
P	Metal hook	2
Q	Metal connection iron sheet	2
R	Wrench M4X55MM	1
S	Adjustable foot pads	1
T	Cross-head screwdriver	1

# The Hardwares



## IMPORTANT:

1. Do not tighten bolts / screws completely until all bolts / screws are lined up and inserted into holes.
2. Do not over tighten screws and bolts to avoid stripping
3. You can use a screwdriver. Power tools can also be used. (Be careful with power tools)

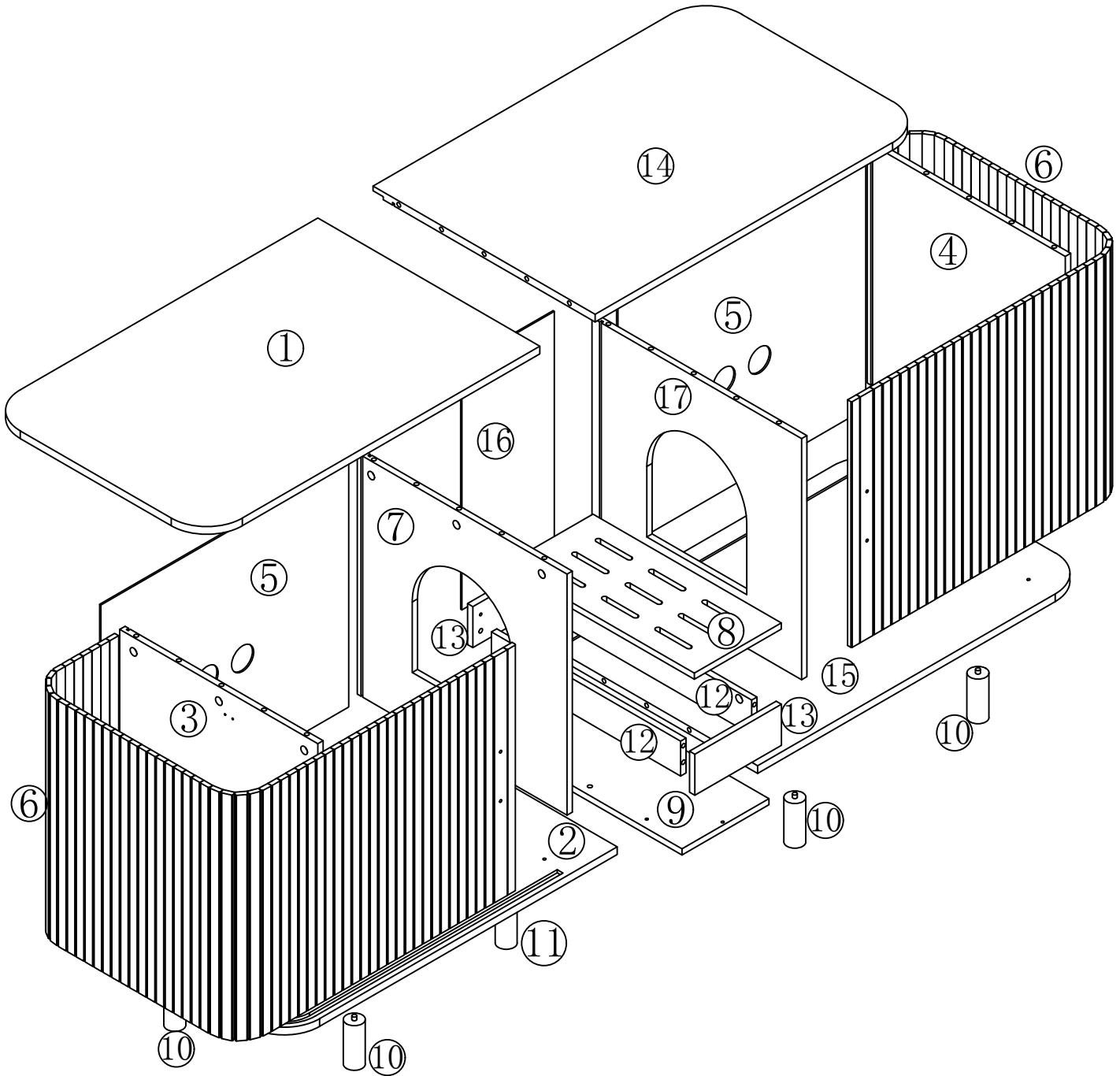
# Included Accessories

---

Code	Description	Qty
1	Left panel	1
2	Left base plate	1
3	Left Side Panel	1
4	Right Side Panel	1
5	Left and right back plates	2
6	Curved sliding door	2
7	Left partition	1
8	Cat litter box panel	1
9	The bottom plate of the cat litter box	1
10	Solid wood feet	4
11	Medium solid wood feet	1
12	Side panel of the cat litter box	2
13	Front and back panels of the cat litter box	2
14	Right panel	1
15	Right bottom plate	1
16	Middle backplate	1
17	Right partition	1

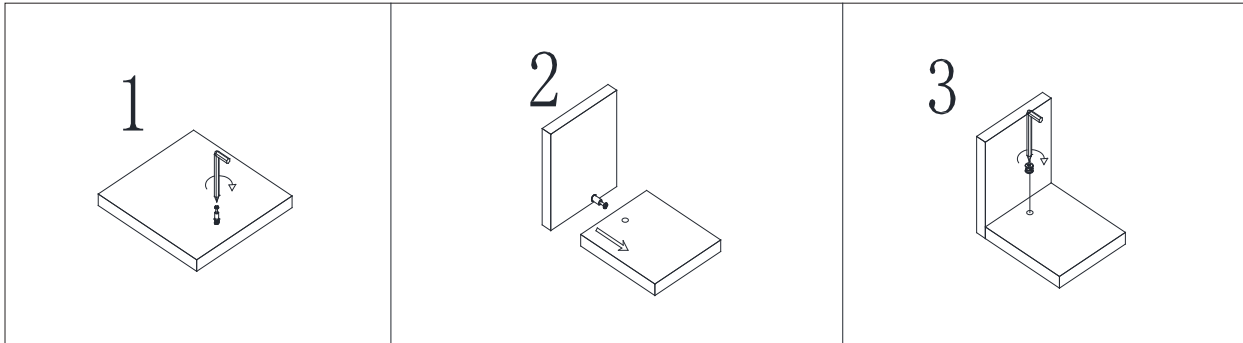
---

# The Accessories

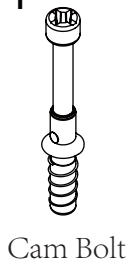


# HARDWARE USAGE GUIDE

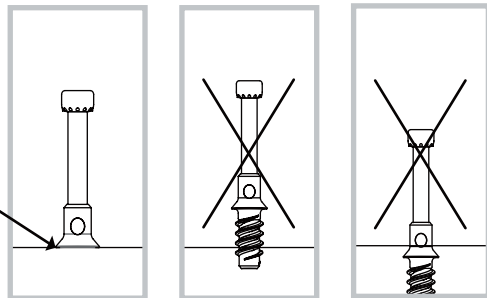
## Hidden Cam Bolt/Cam Lock Usage Instructions



### Step 1

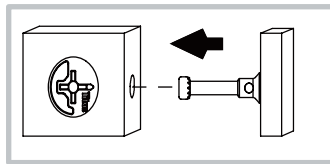


Turn the Cam Bolt until the shoulder is firmly against the part.

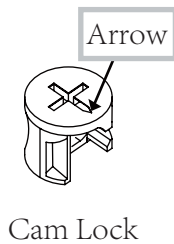


### Step 2

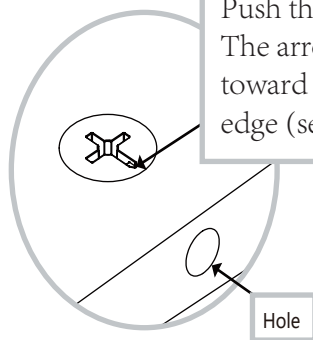
Connect the two plates at 90 degrees.



### Step 3.1

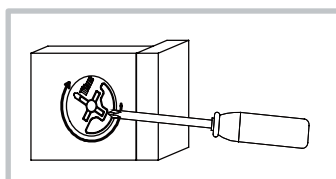


Push the cam lock into the part. The arrow must point directly toward the hole on the board's edge (see diagram).

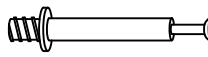



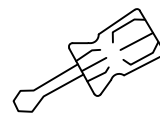
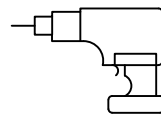
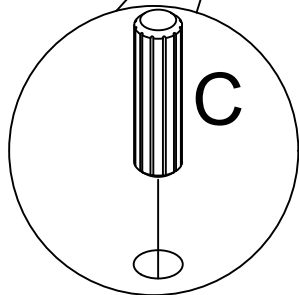
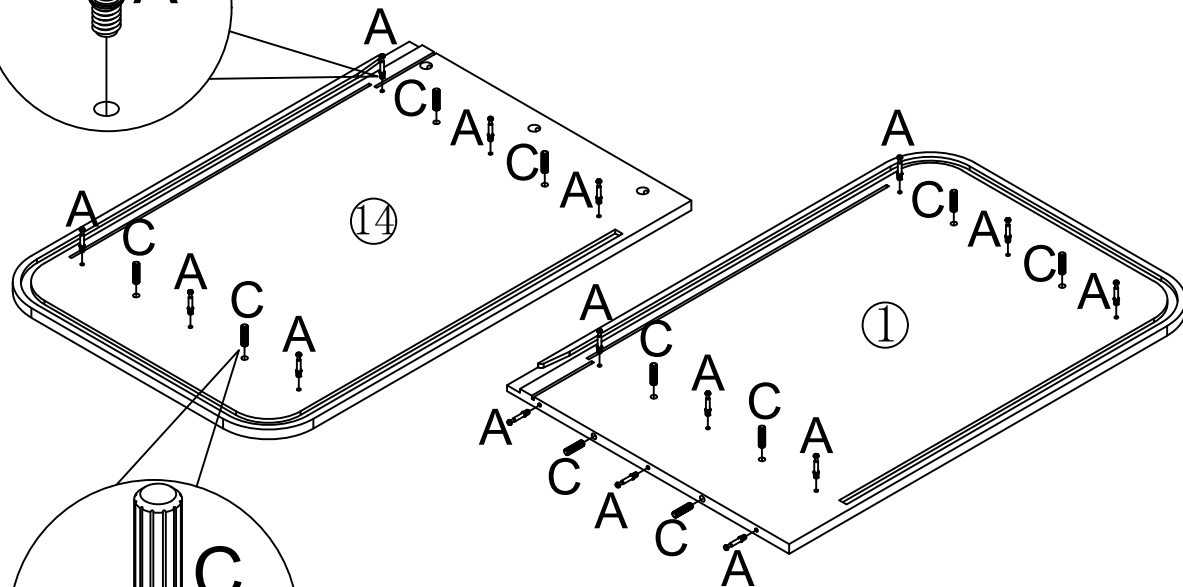
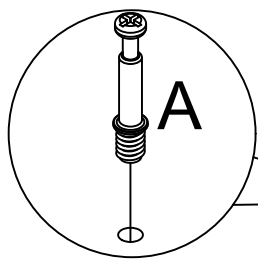
### Step 3.2

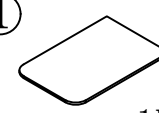
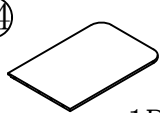
Install the cam lock nut and fix it by rotation.




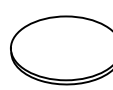
# Step 1

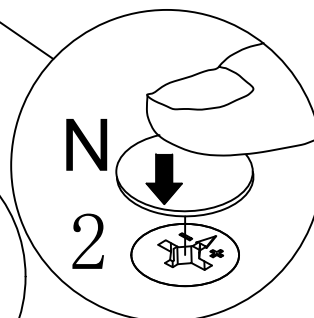
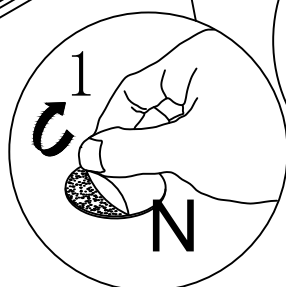
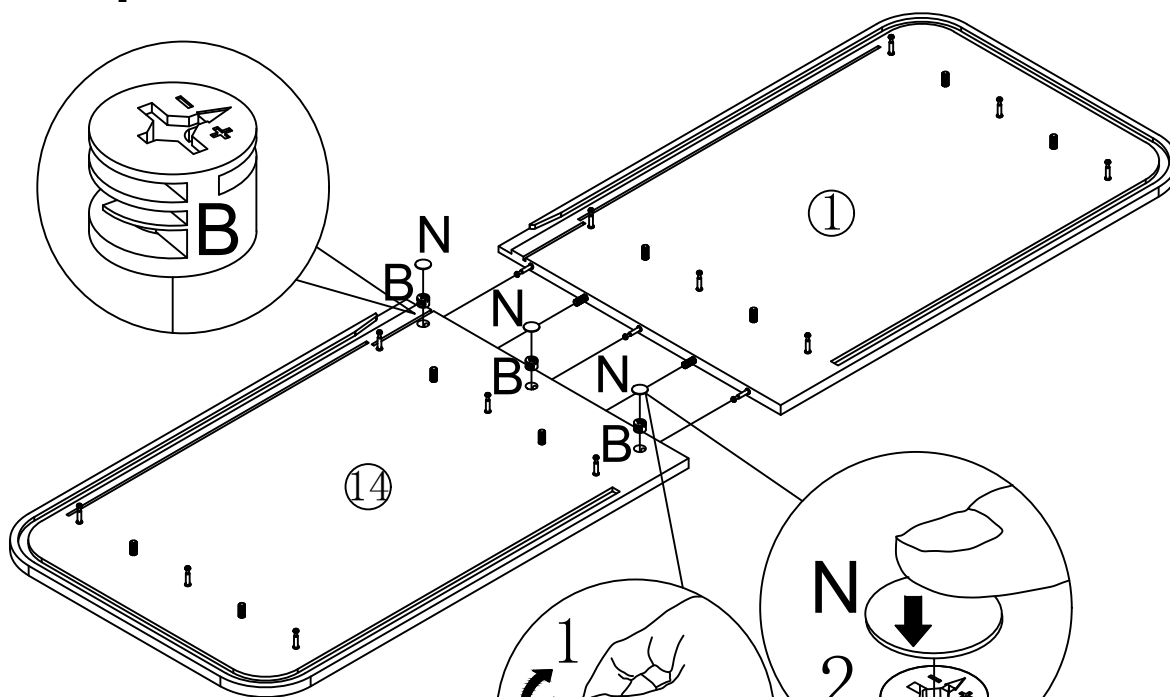
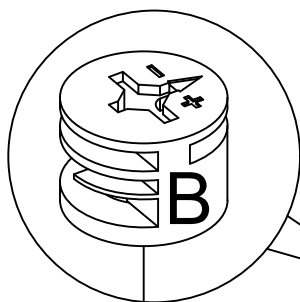
A	×15	C	×10
			

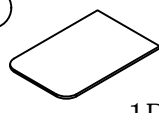
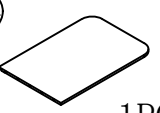


①	⑭
	
1PC	1PC


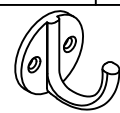
# Step 2

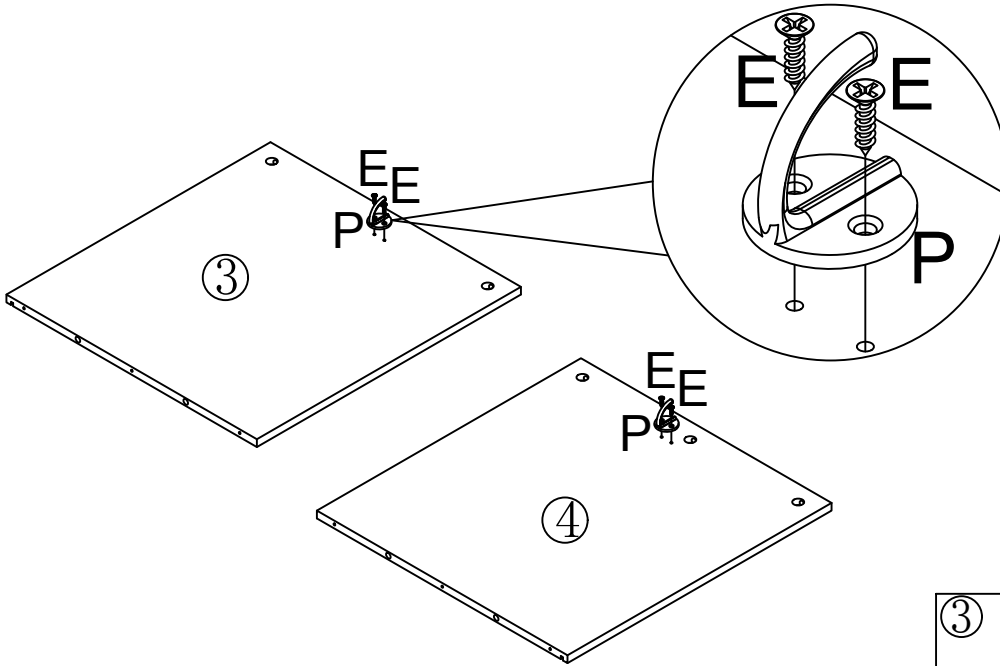
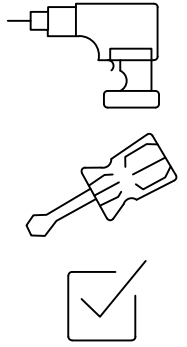
B	×3
	
N	×3
	

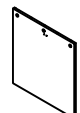
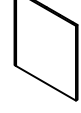


①	⑭
	
1PC	1PC


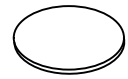
# Step 3

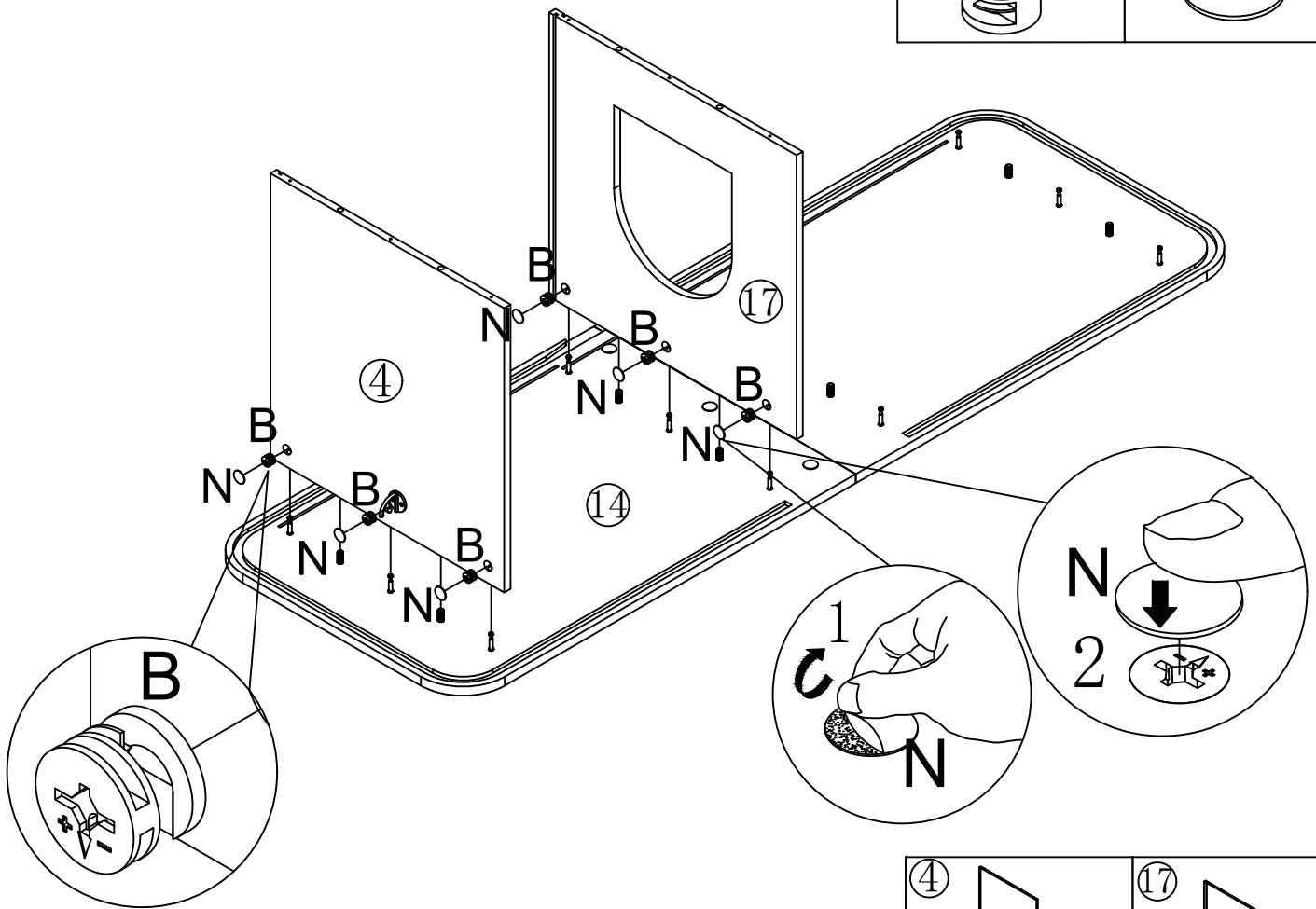
E	×4	P	×2
			

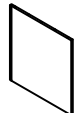



③		1PC	④		1PC
---	---	-----	---	---	-----


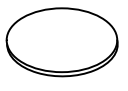
# Step 4

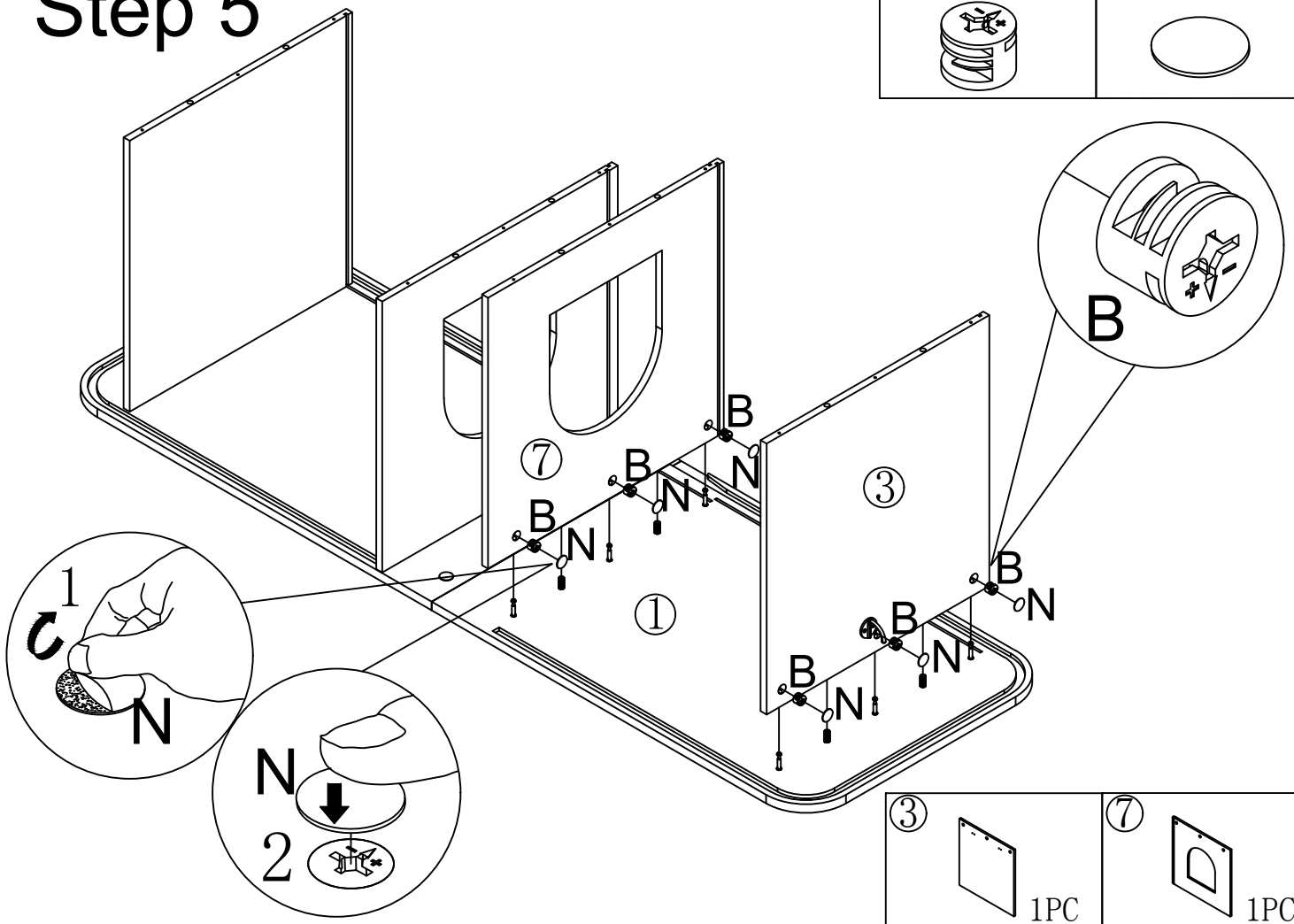
B	×6	N	×6
			

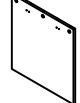



④		1PC	⑰		1PC
---	---	-----	---	---	-----


# Step 5

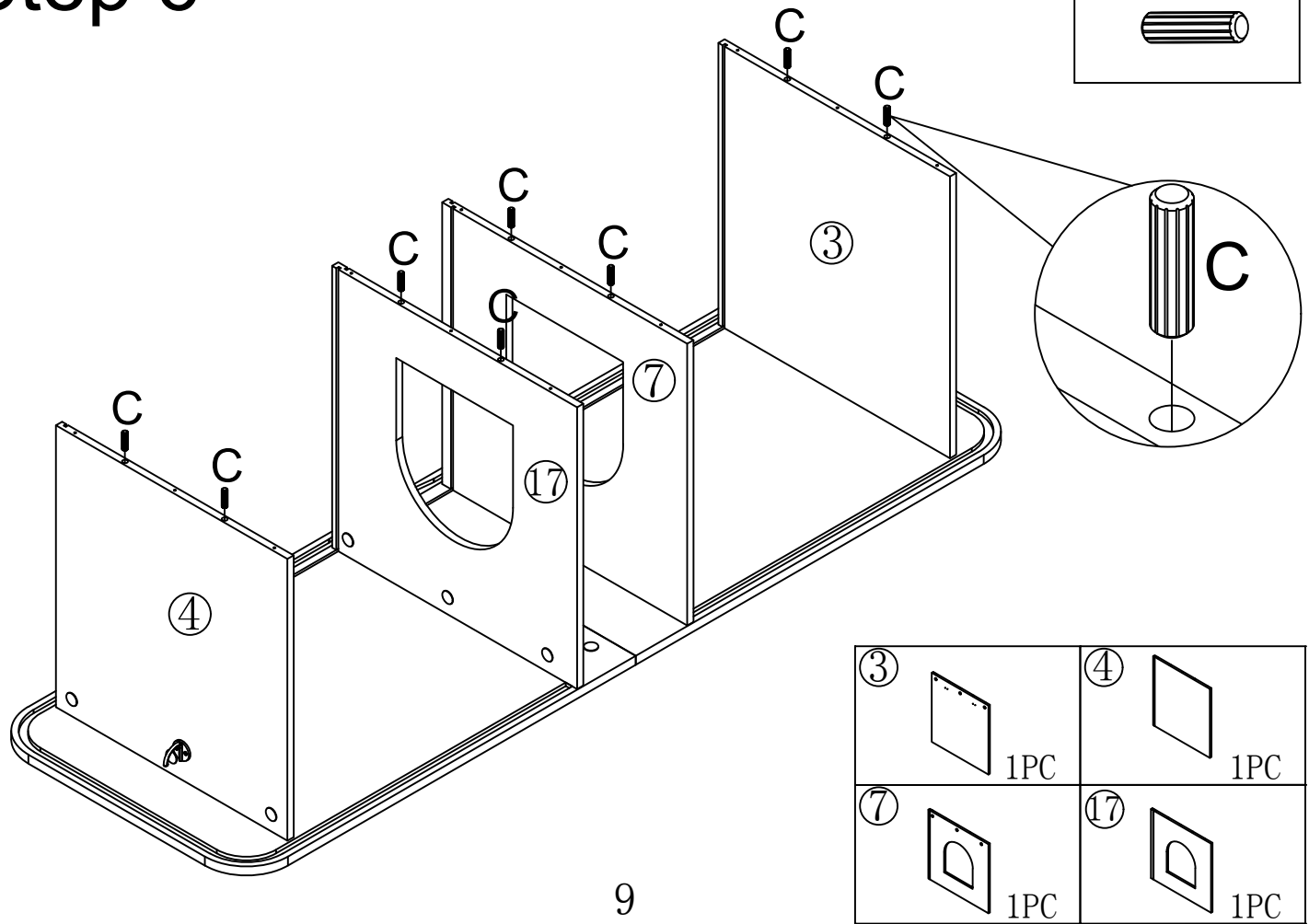
B	×6	N	×6
			

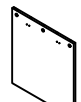





③	1PC	⑦	1PC
			

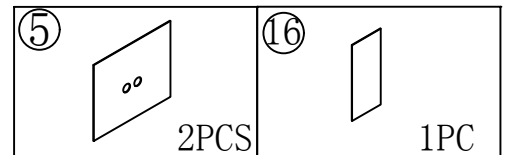
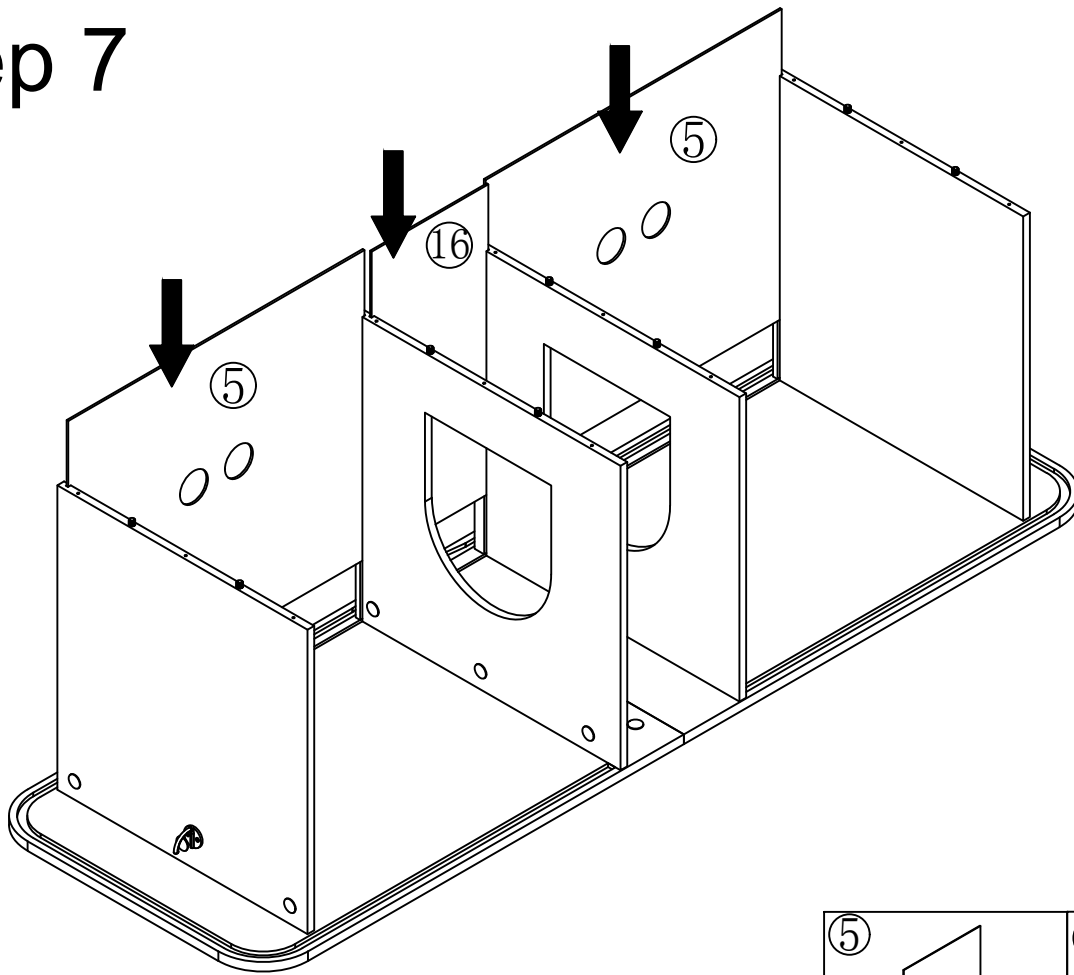
# Step 6

C	×8
	

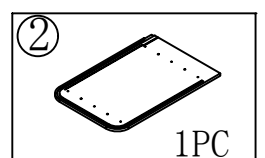
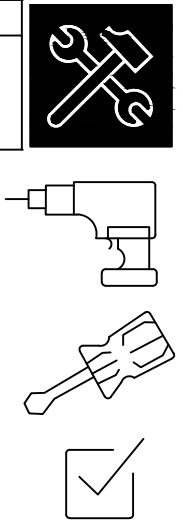
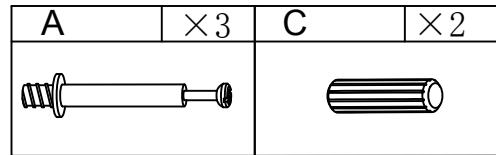
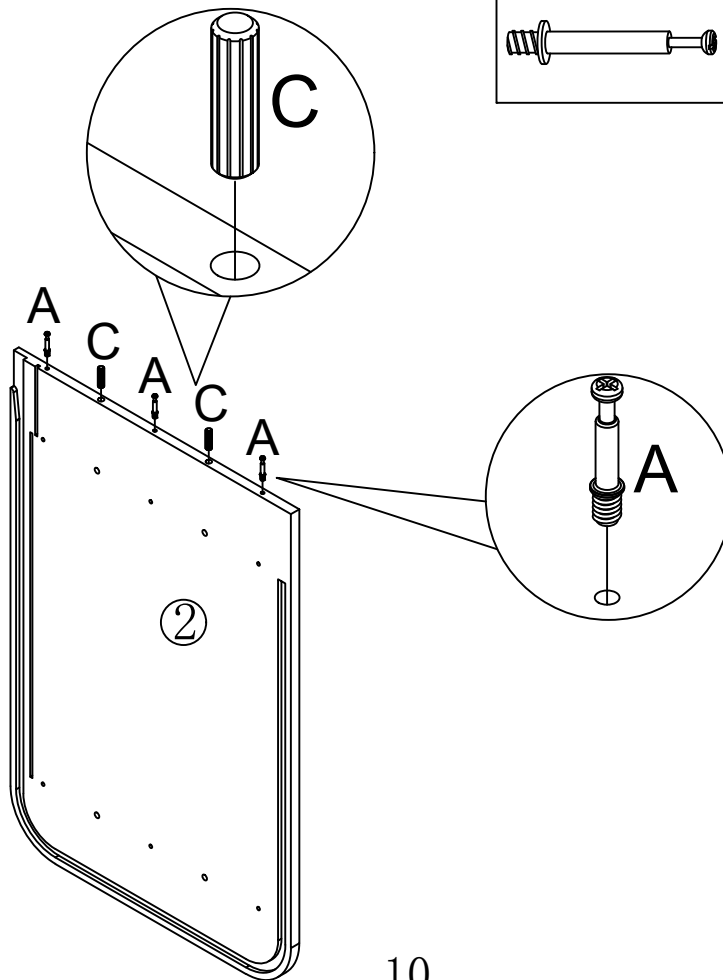


③	1PC	④	1PC
			
⑦	1PC	⑰	1PC
			

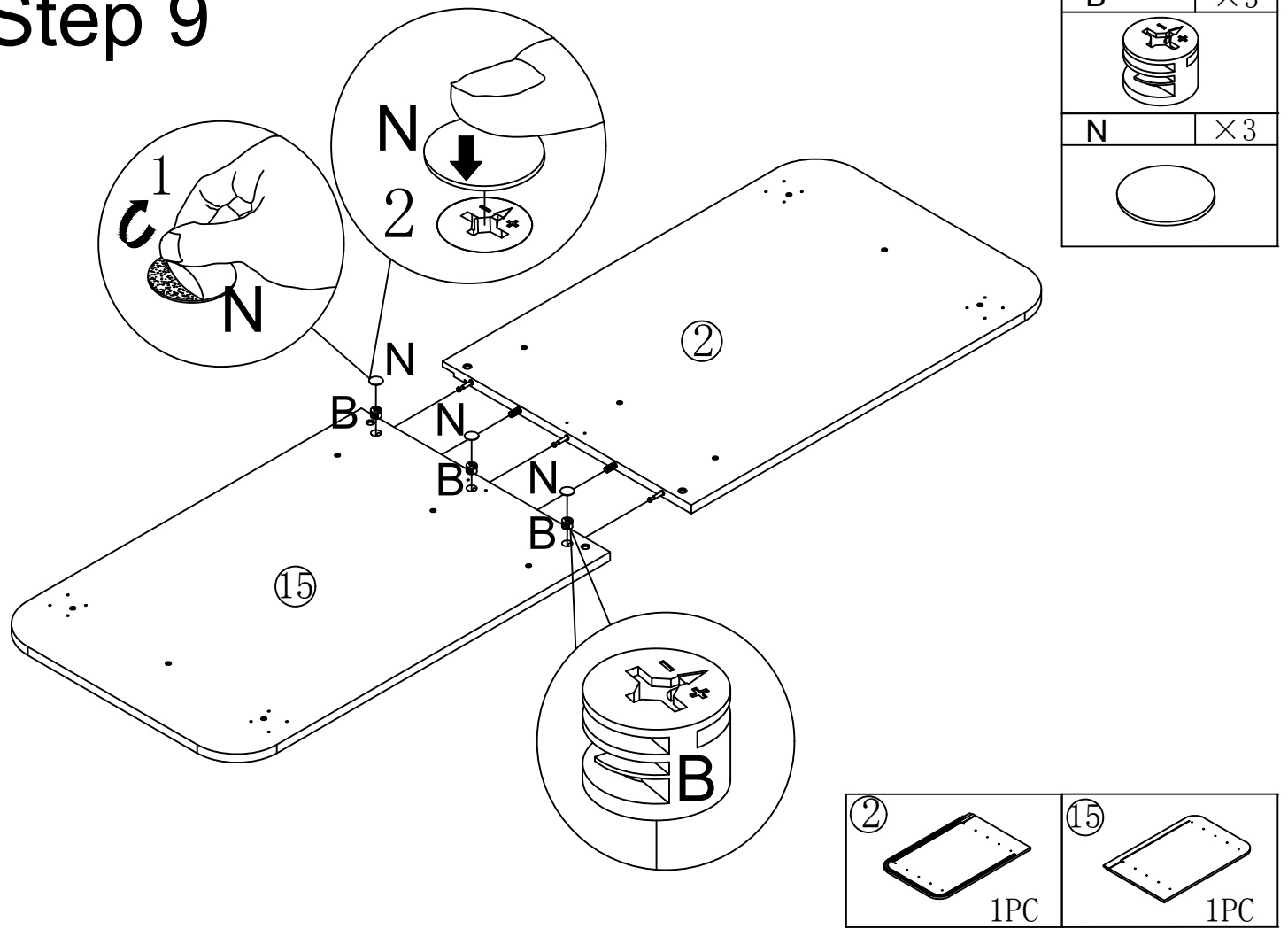
# Step 7



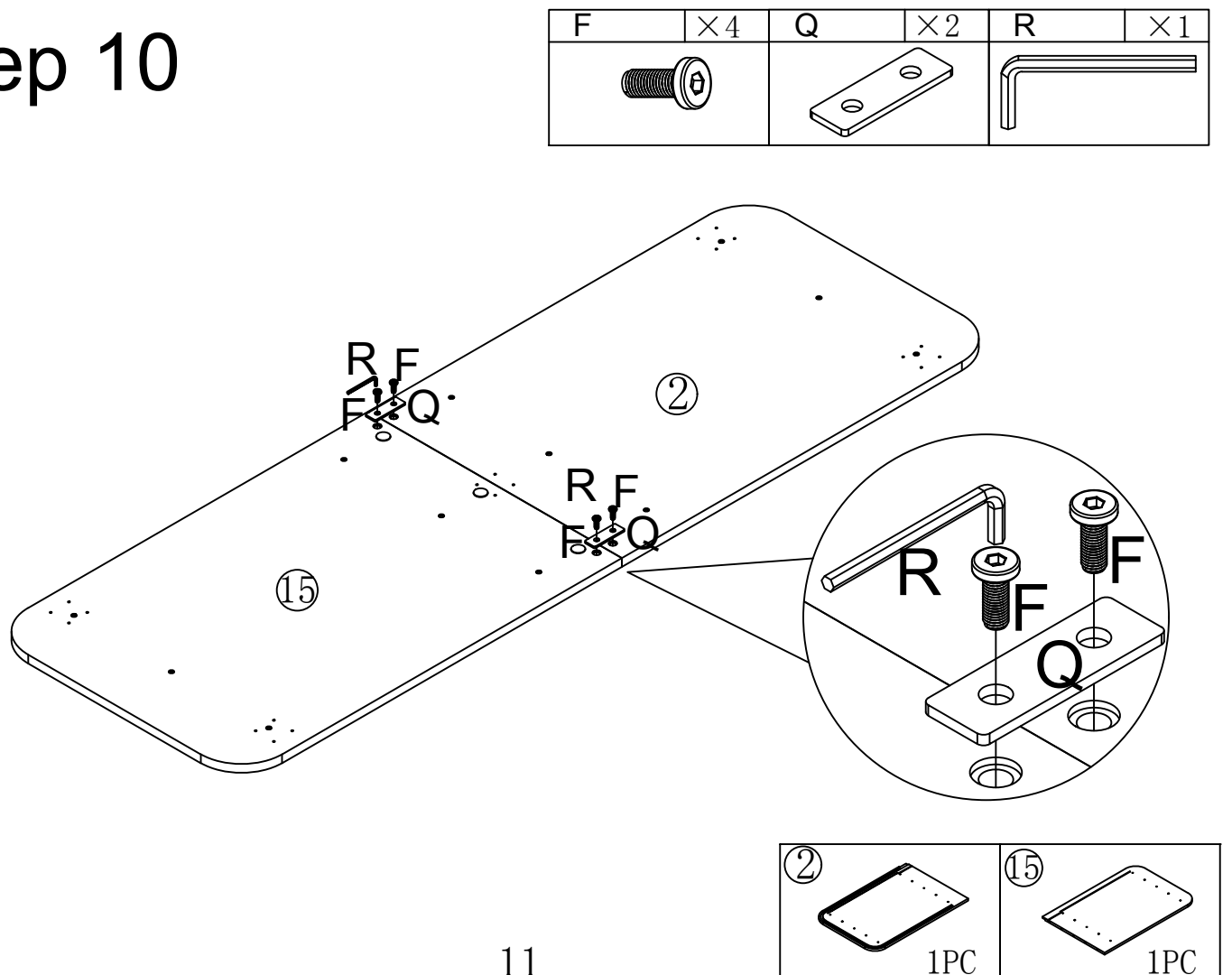
# Step 8




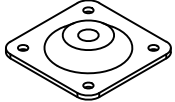
# Step 9

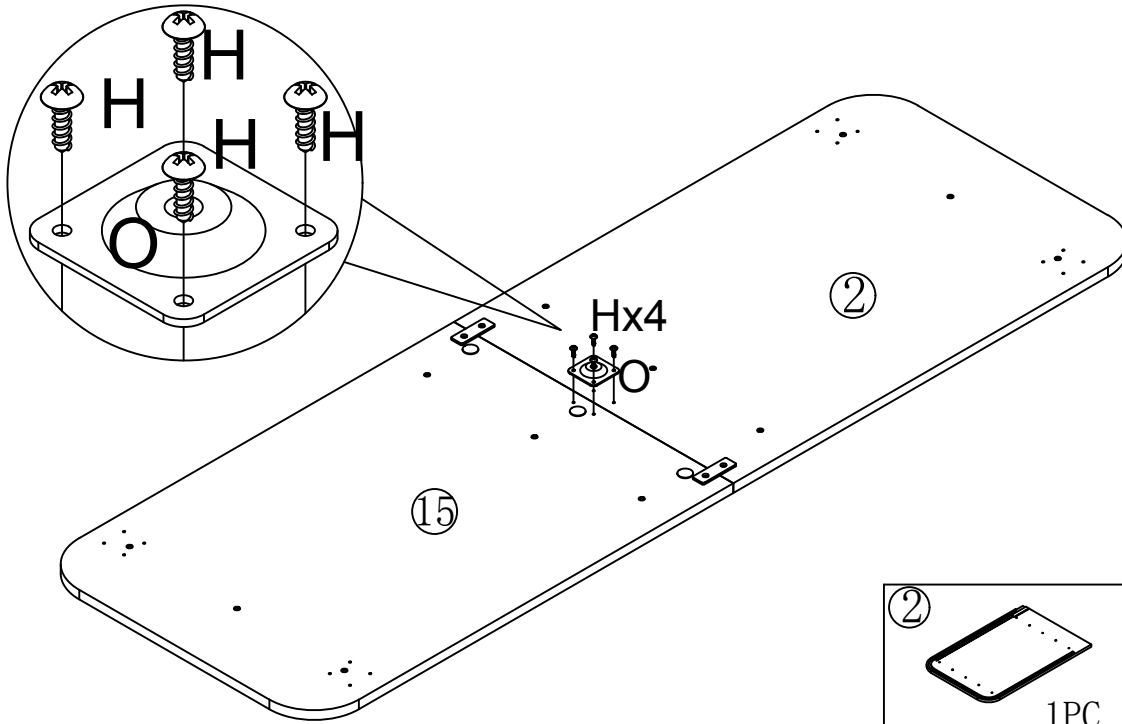
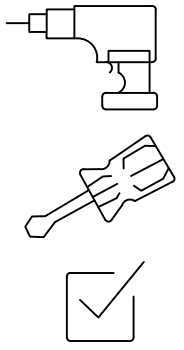



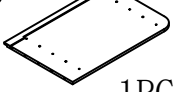
# Step 10



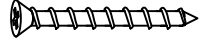
# Step 11

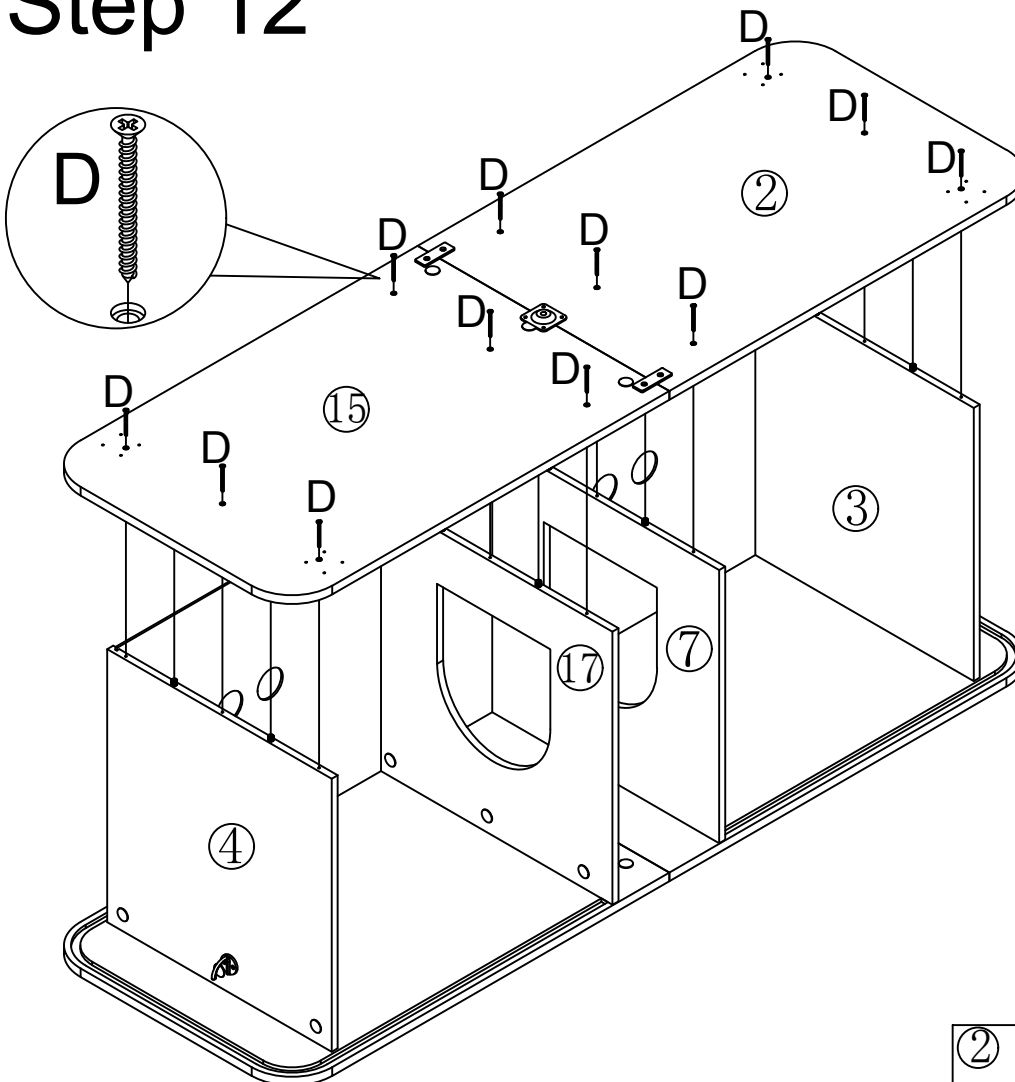
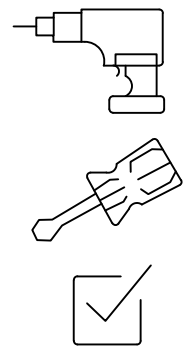
H	×4	O	×1
			



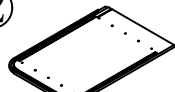

②		1PC
⑮		1PC

# Step 12

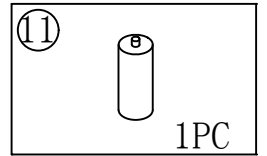
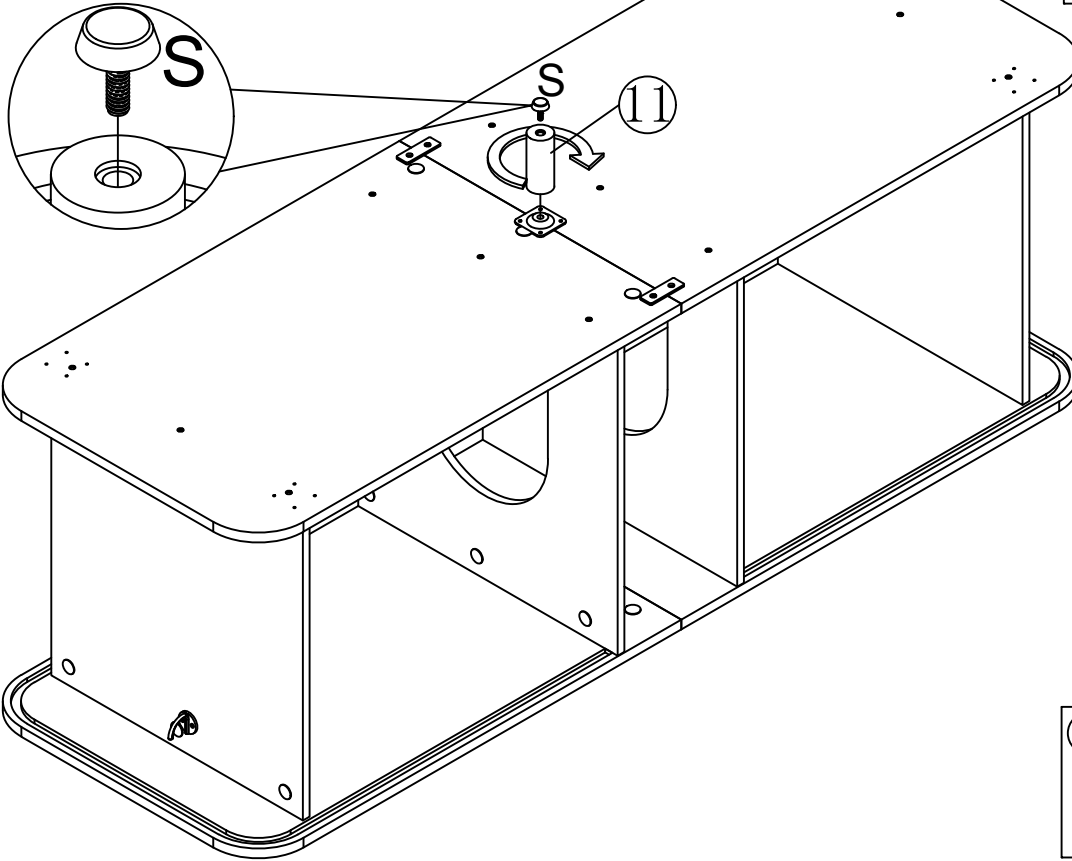
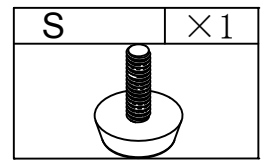
D	×12
	



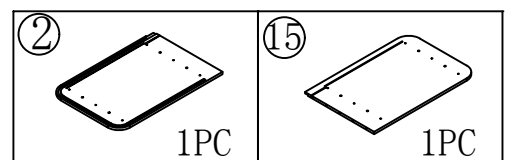
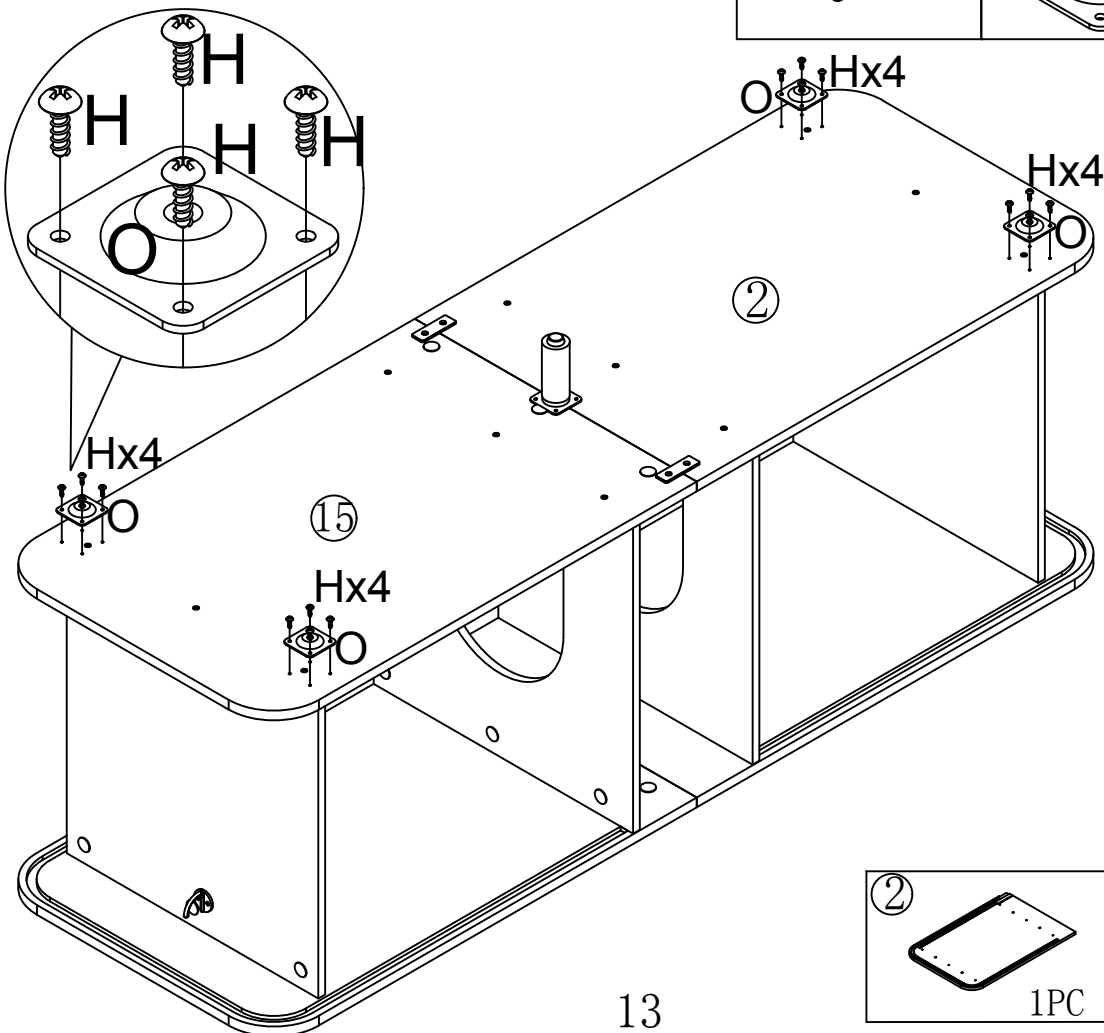
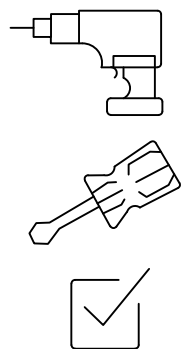
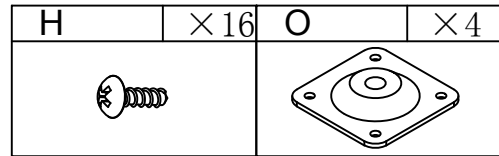
At this step, be careful not to damage Board ② and Board ⑮. It is safer for two people to assemble

②		1PC
⑮		1PC

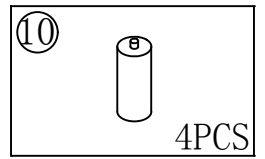
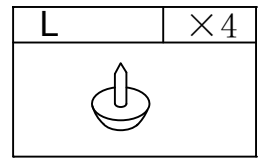
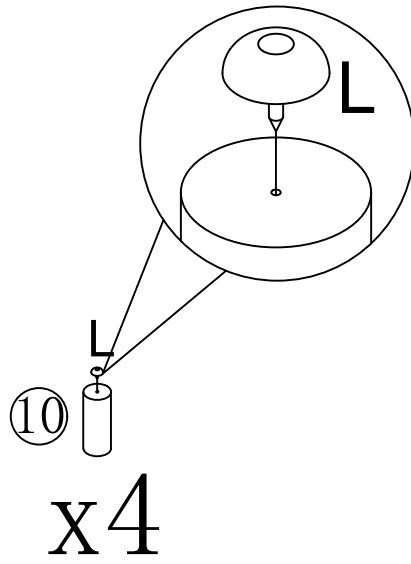
# Step 13



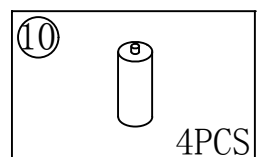
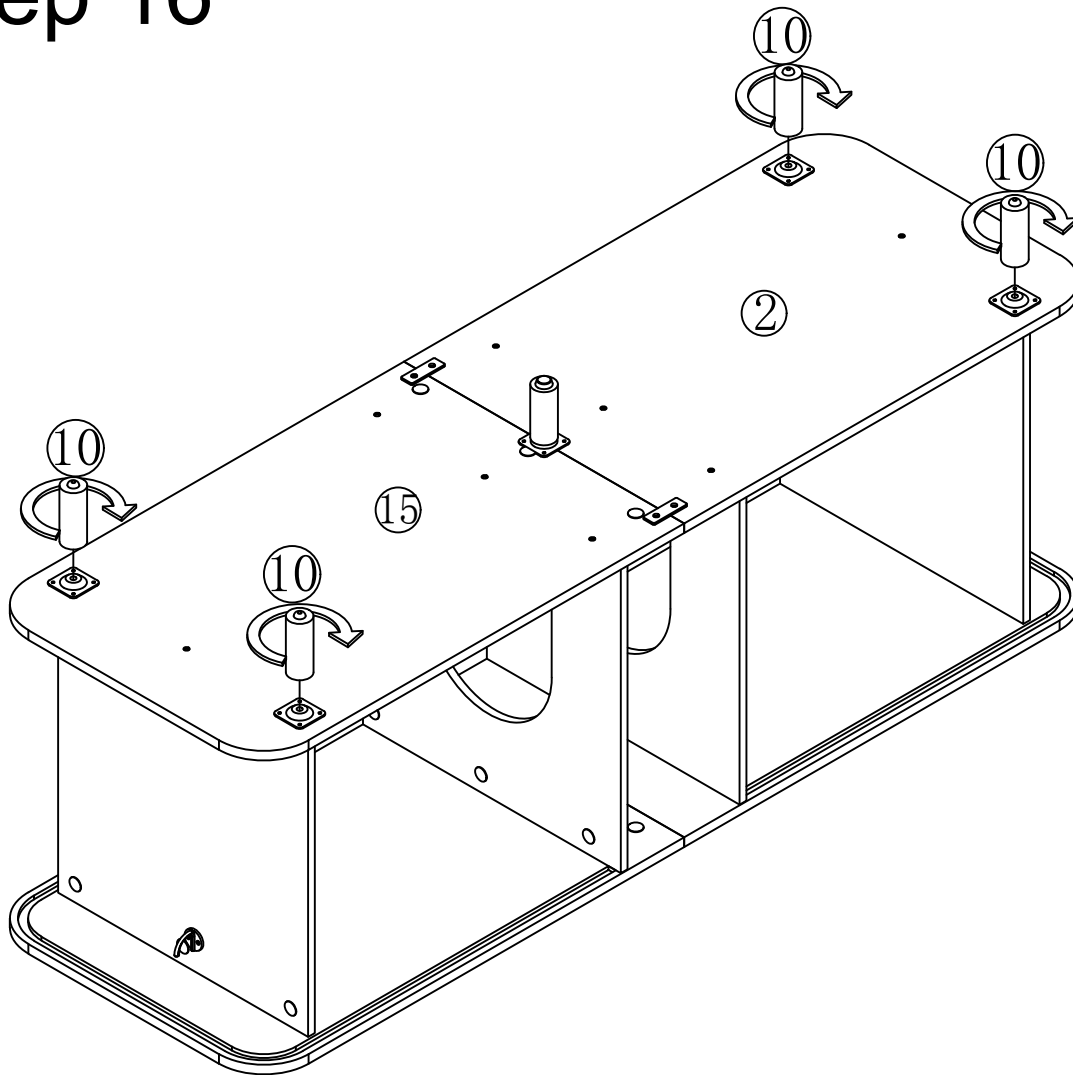
# Step 14



# Step 15

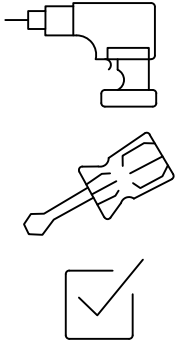
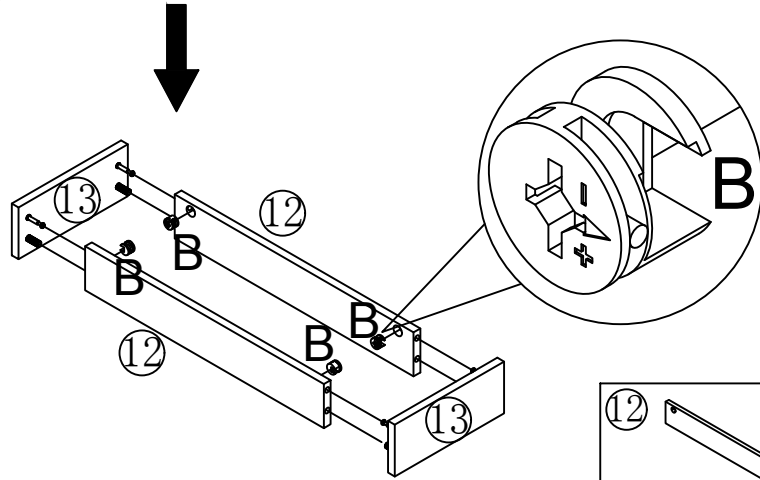
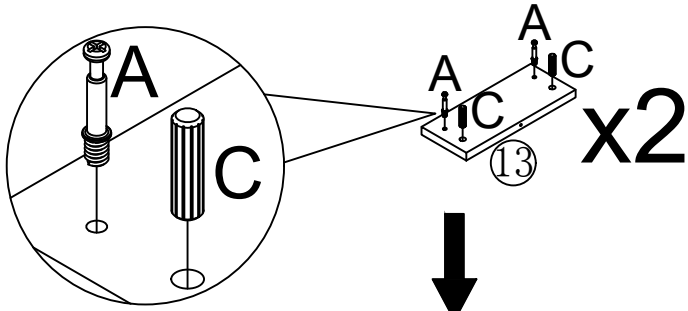


# Step 16



# Step 17

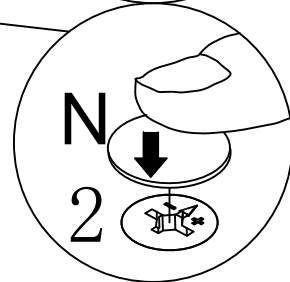
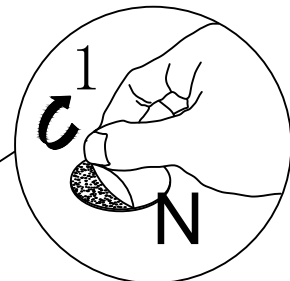
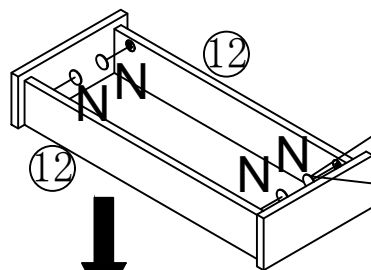
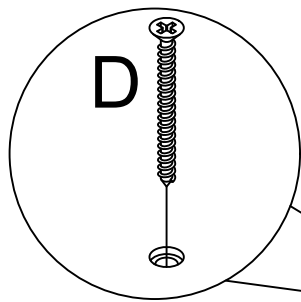
A	×4	B	×4	C	×4	



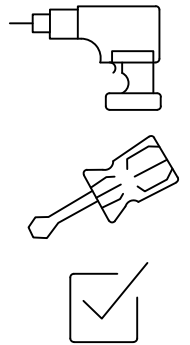
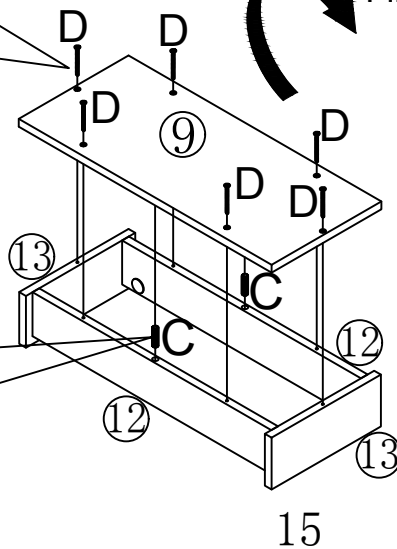
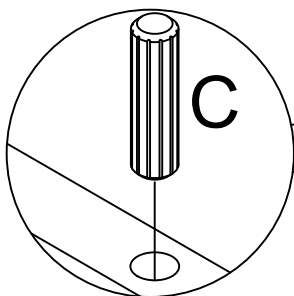
⑫		⑬	
	2PCS		2PCS

# Step 18

D	×6	C	×2	N	×4	

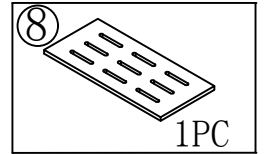
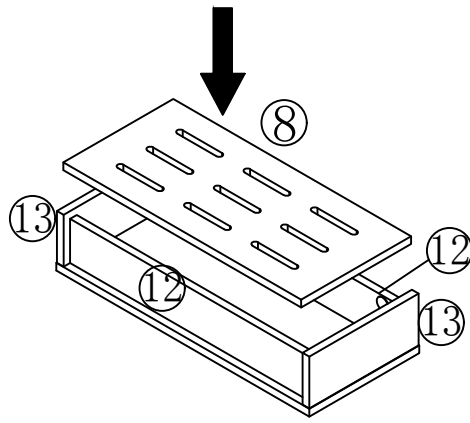


Flip 180°

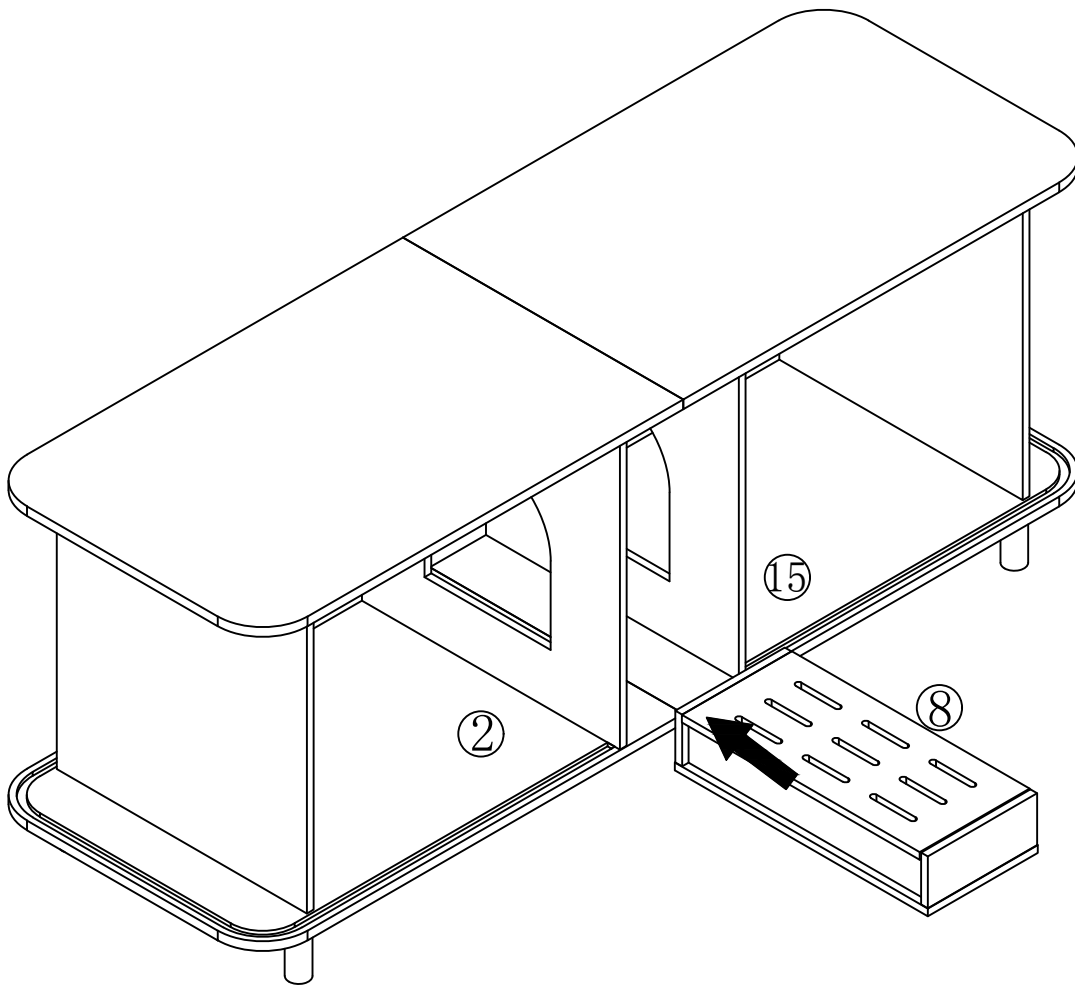


⑨		⑫		⑬	
	1PC		2PCS		2PCS


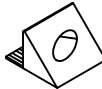
# Step 19

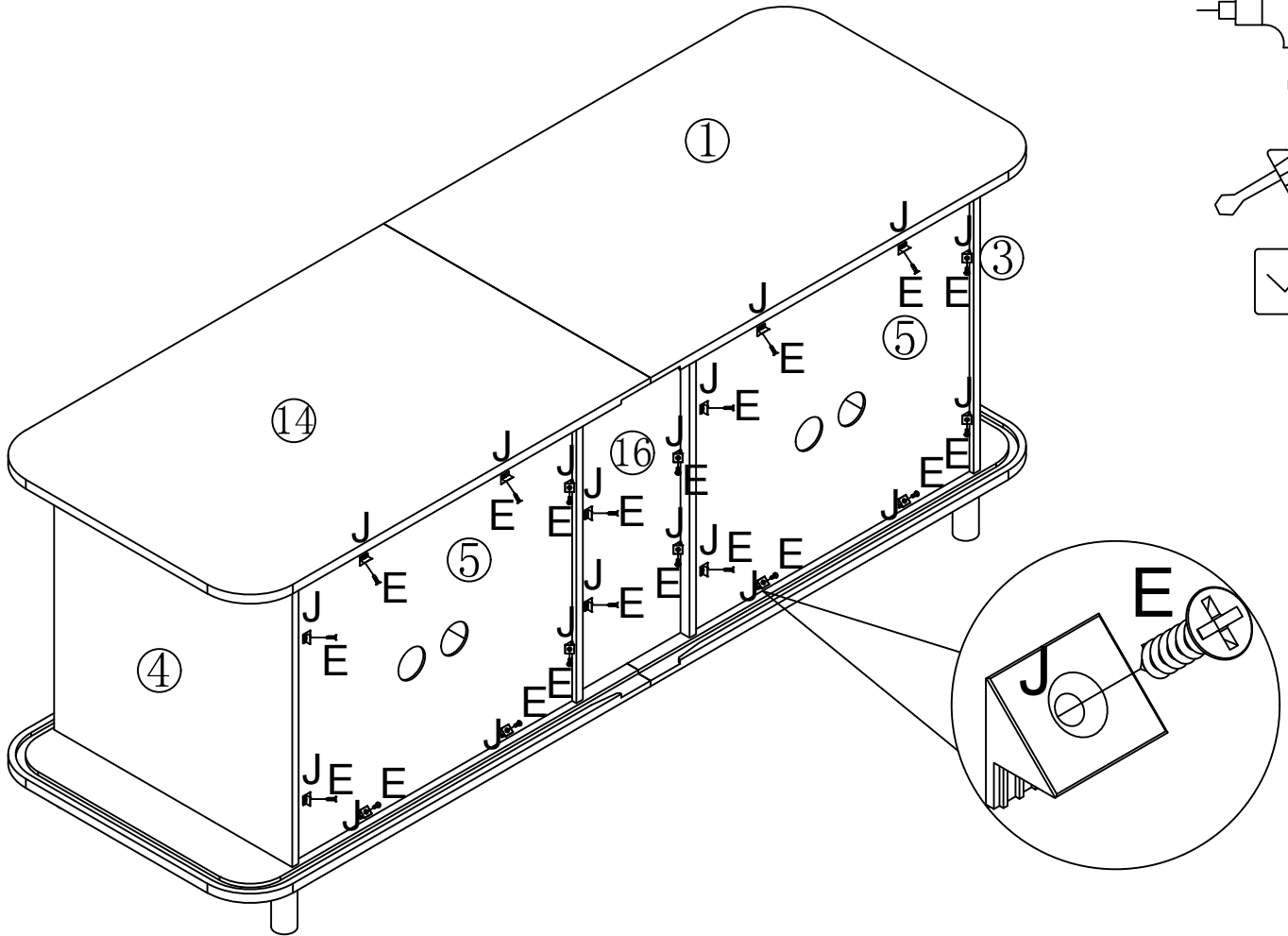
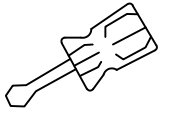
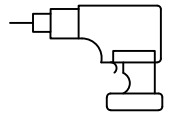


# Step 20




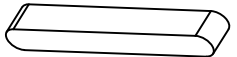
# Step 21

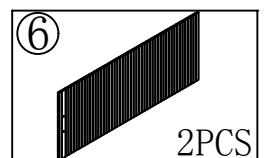
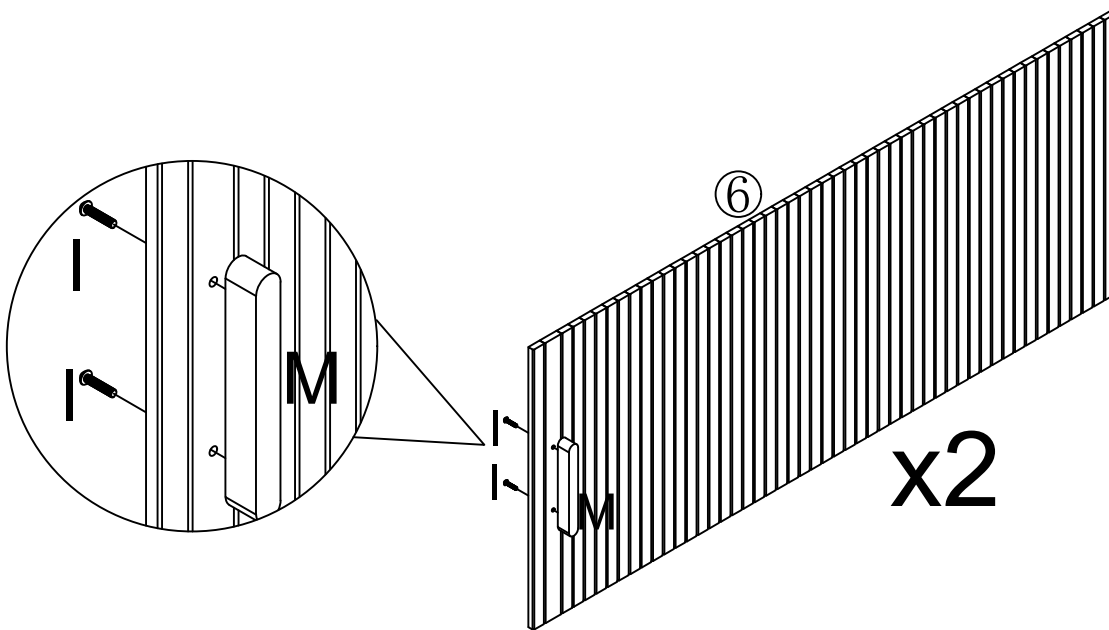
E	×20	J	×20
			



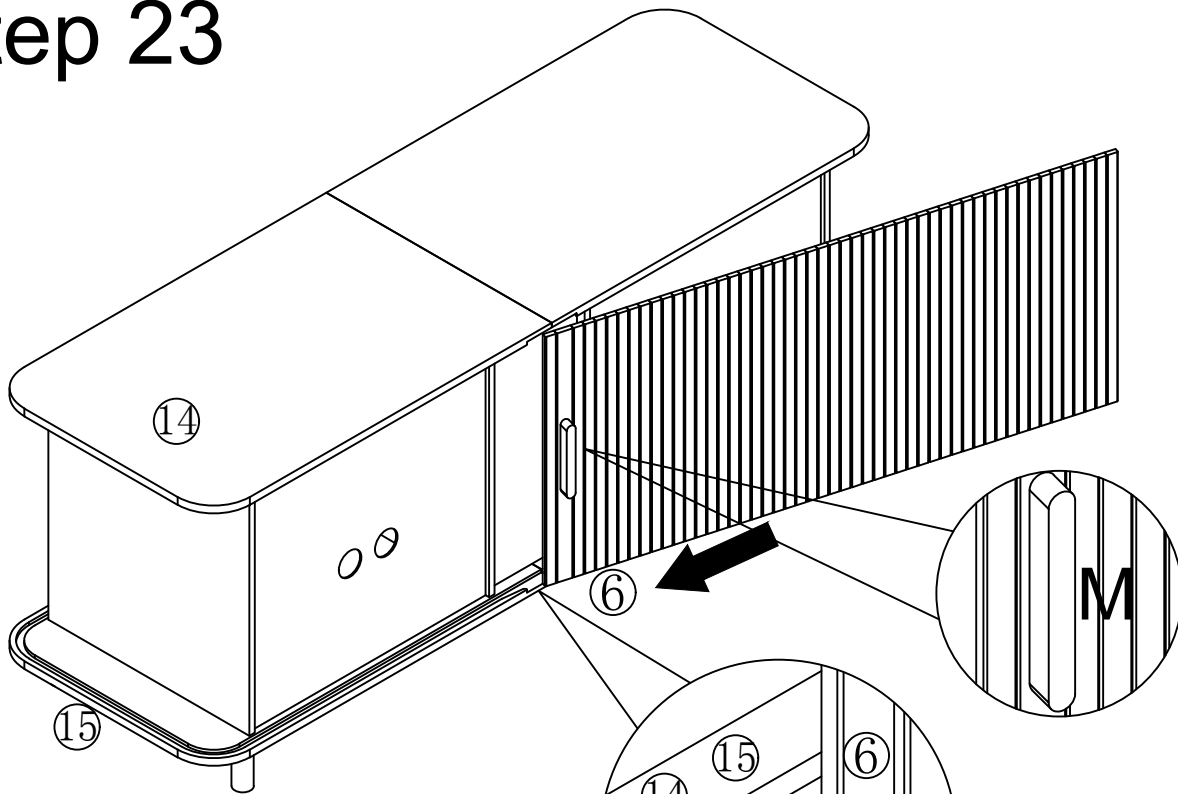
# Step 22

I	×4
	

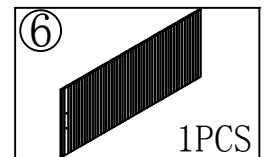
M	×2
	



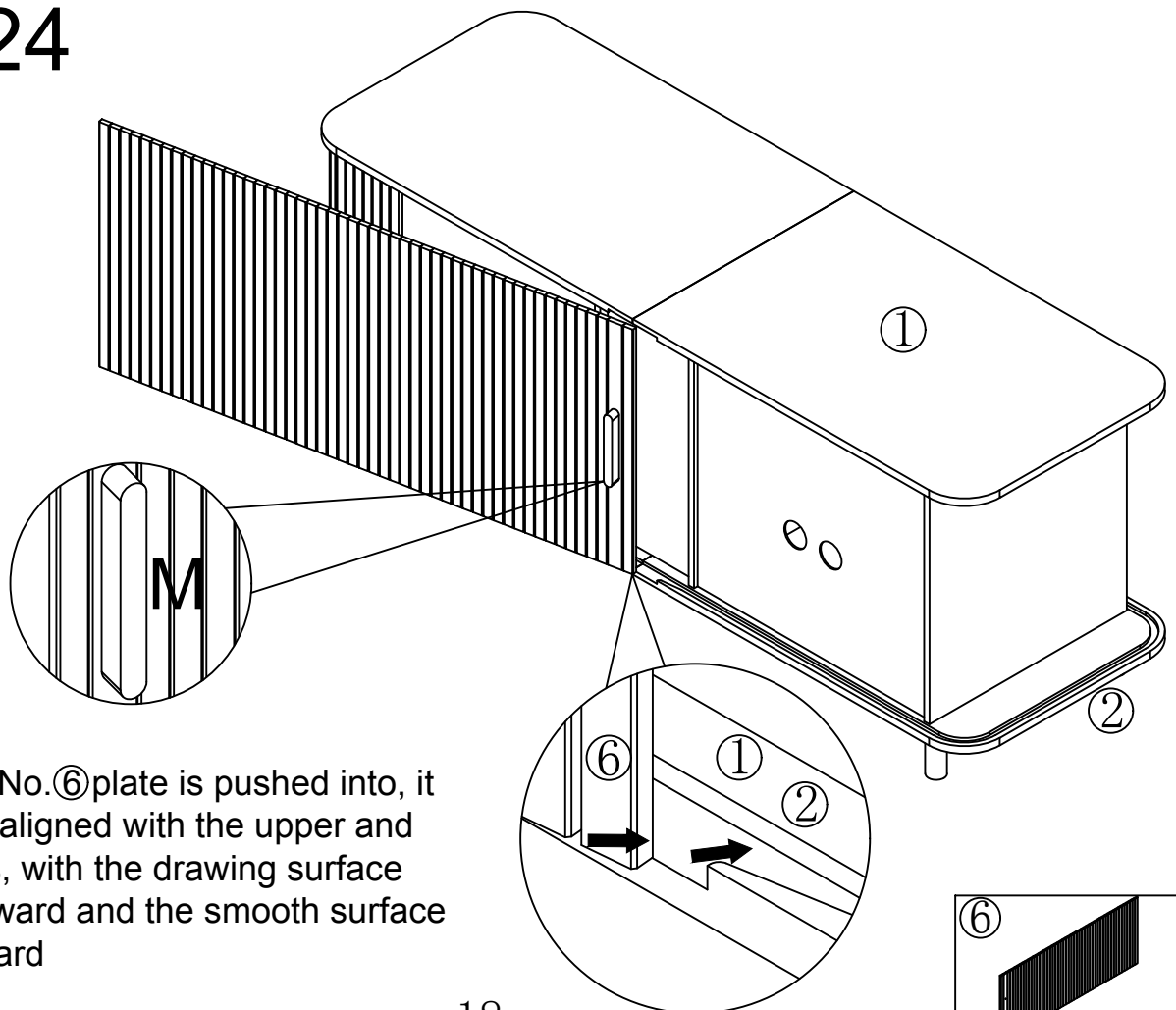
# Step 23



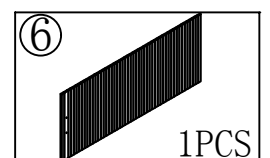
When the No.⑥plate is pushed into, it should be aligned with the upper and lower slots, with the drawing surface facing outward and the smooth surface facing inward




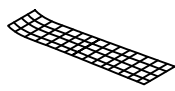
# Step 24

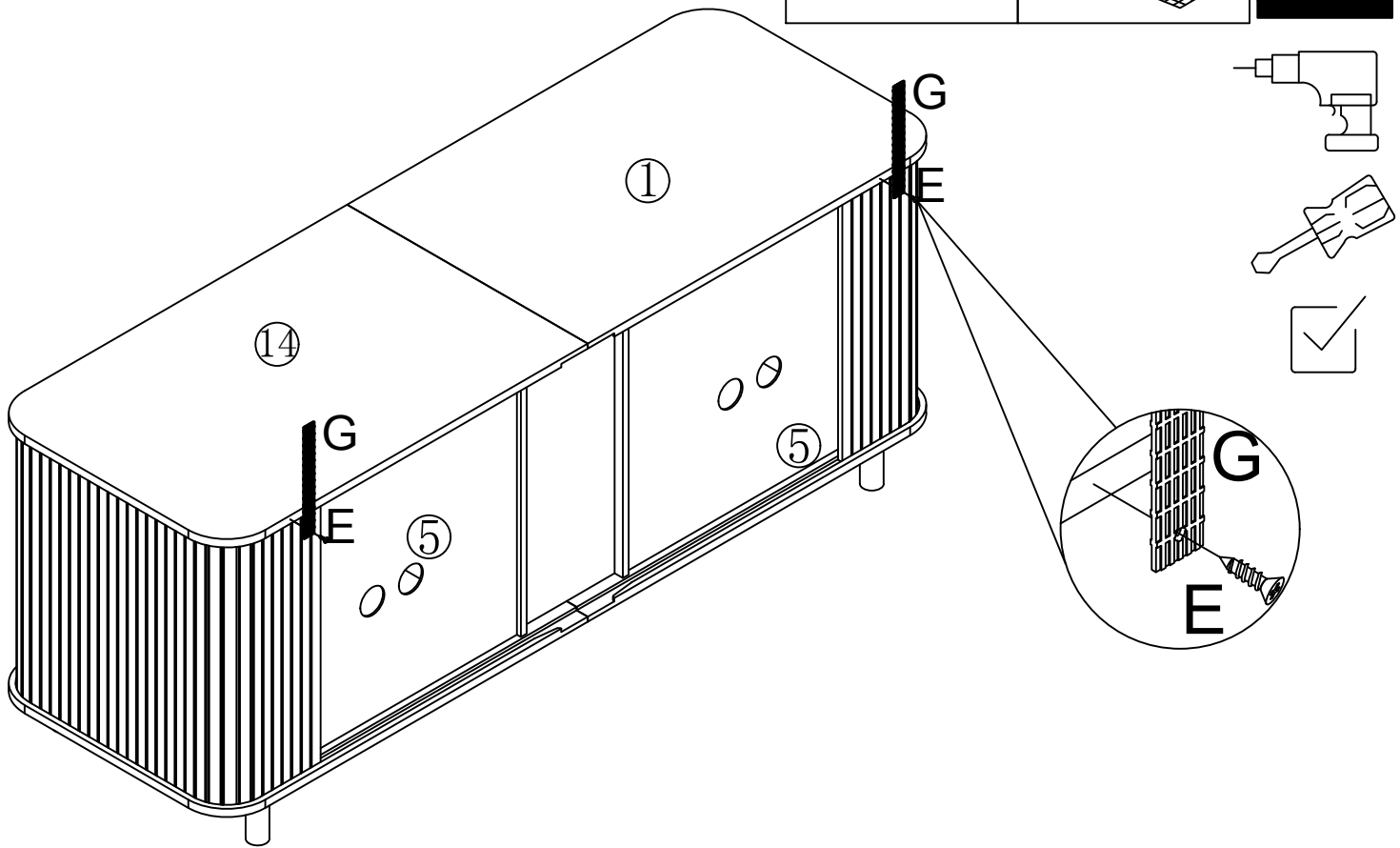


When the No.⑥plate is pushed into, it should be aligned with the upper and lower slots, with the drawing surface facing outward and the smooth surface facing inward

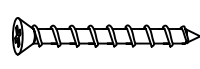



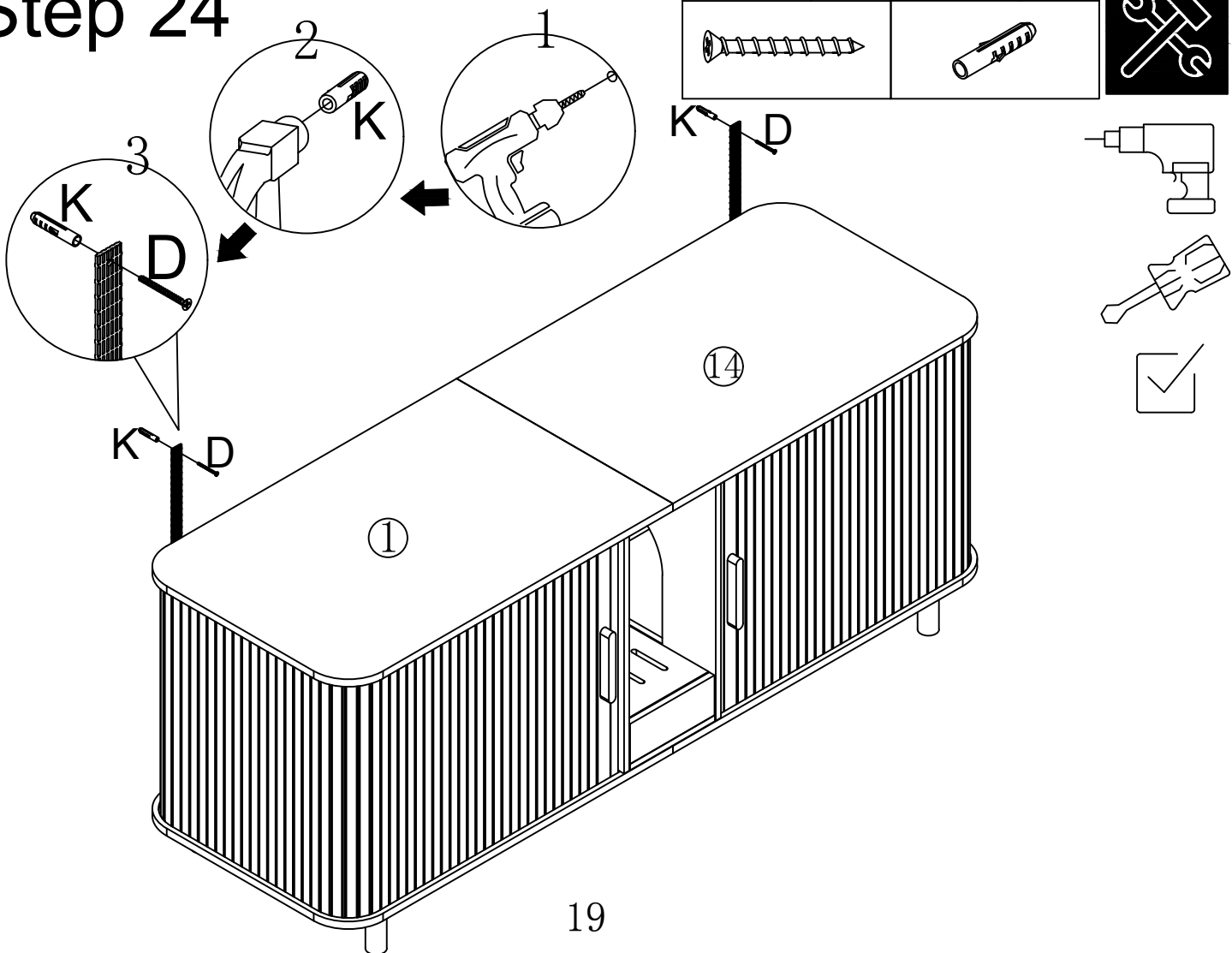
# Step 23

E	×2	G	×2
			

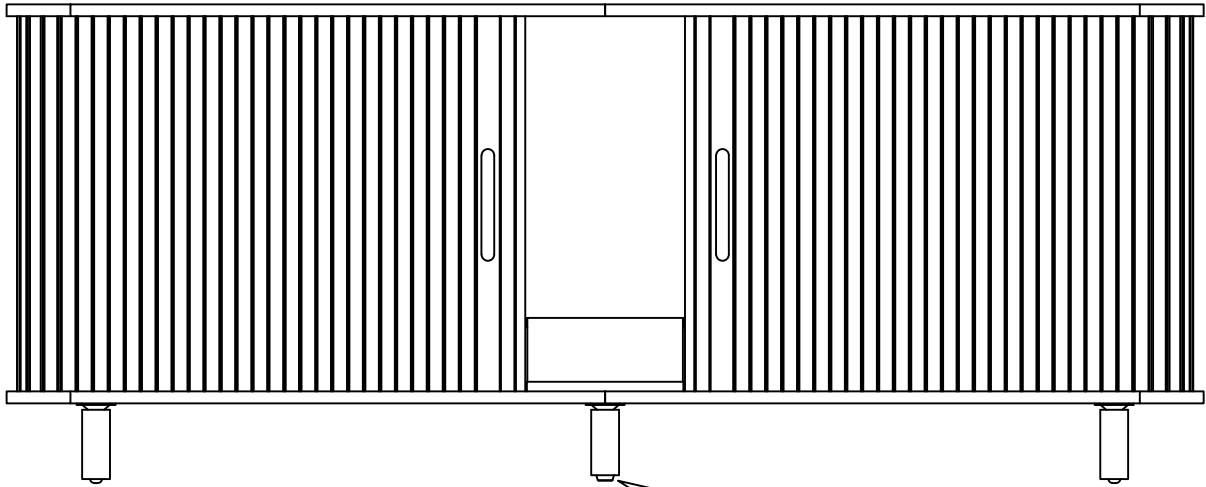


# Step 24

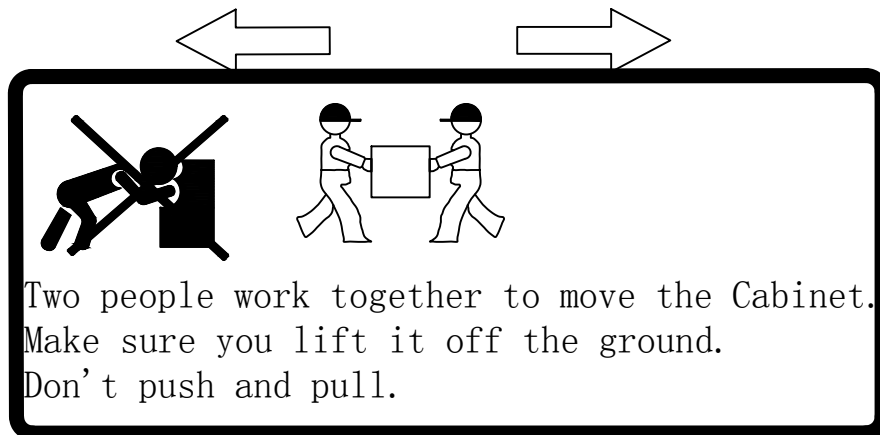
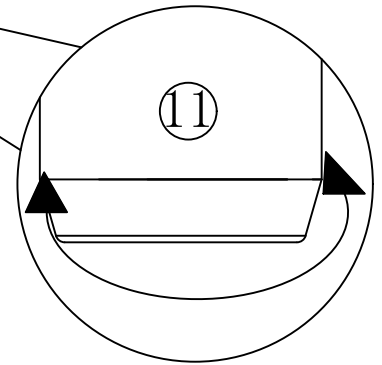
D	×2	K	×2
			



# Step 25



If the center position of the cabinet is too high or too low due to uneven bottom plates or other reasons, adjust the adjustable foot pads on feet ①① to adjust the upper and lower height



Two people work together to move the Cabinet. Make sure you lift it off the ground. Don't push and pull.