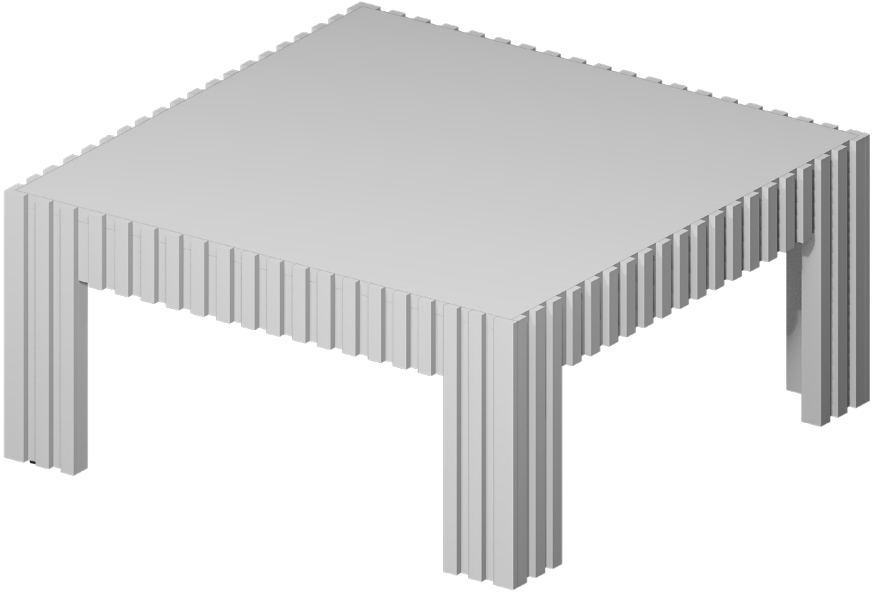


# Owner Manual



15 : 00

---

estimated assembly



2 or more

---

people required

Ok, let's  
get started!



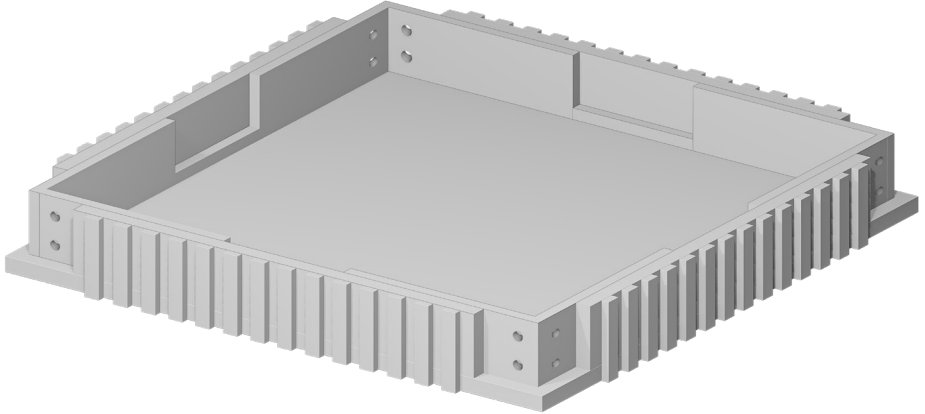
- Put on mood music!
- To prevent damage to product, use the clean side of package carton or rug as working surface.
- In the event of missing or damaged parts, delivery problems etc., please reach out to our team. We will be happy to fix the problem!

# care guide

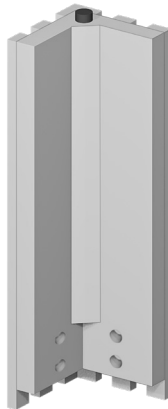
- Clean regularly with a soft and dry cloth.
- To protect finish, avoid use of abrasive cleaners.
- Wipe up spills immediately. Please!



product  
parts

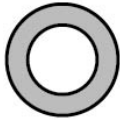


(A)  
Table top  
x1

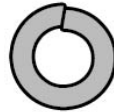


(B)  
Legs  
x4

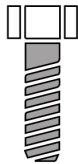
# what's included



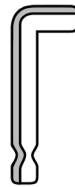
(C)  
Plain Washer  
(8x20mm)  
x16



(D)  
Lock Washer  
(8x15mm)  
x16



(E)  
Bolt(8x30mm)  
x16



(F)  
Allen key(5mm)  
x1

OS

Orange sticker

GS

Green sticker

YS

Yellow sticker

WS

White sticker

## assembly instructions

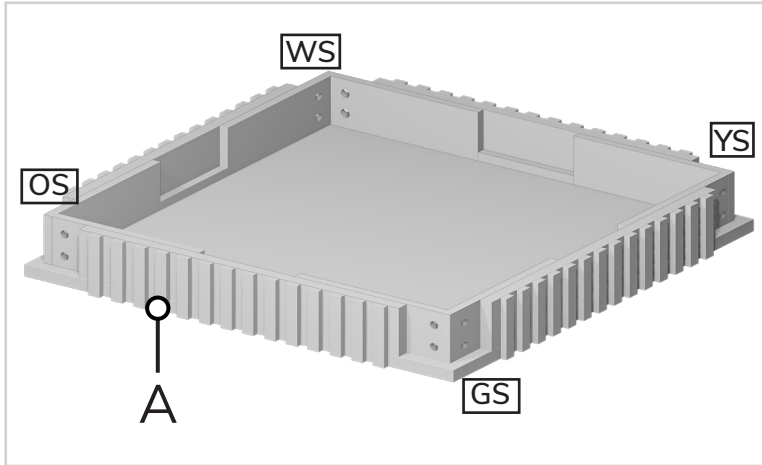
Friendly Tip: Take a deep breath going in. This may be a tricky part, but nothing too overwhelming. Just follow these steps to the T and the outcome will be worth it!



- ⓘ While assembling the product, tighten the bolts up to 50%. Once all parts are in place, only then fully tighten the bolts.

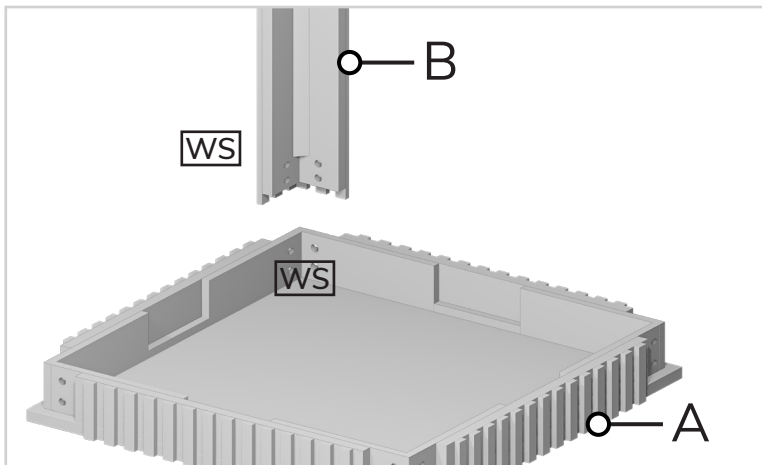
step 1:

Start by placing the table top (A) upside down on a flat surface.



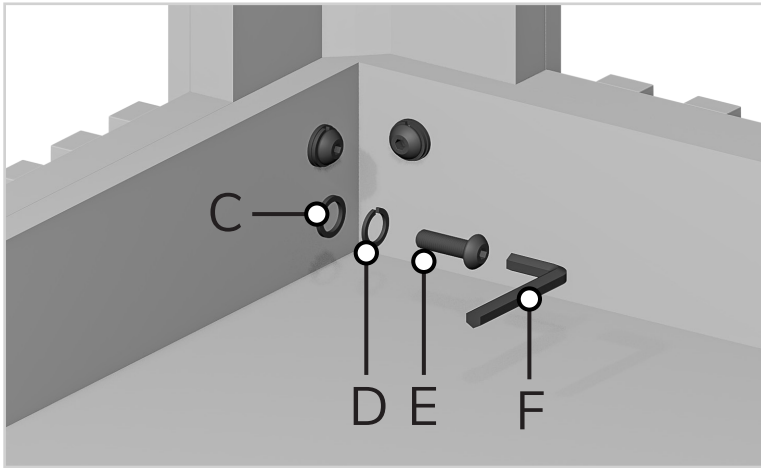
step 2:

Align the legs (B) to the hole on the table top (A) as the reference image below. Make sure the stickers on the legs match the ones on the tabletop.



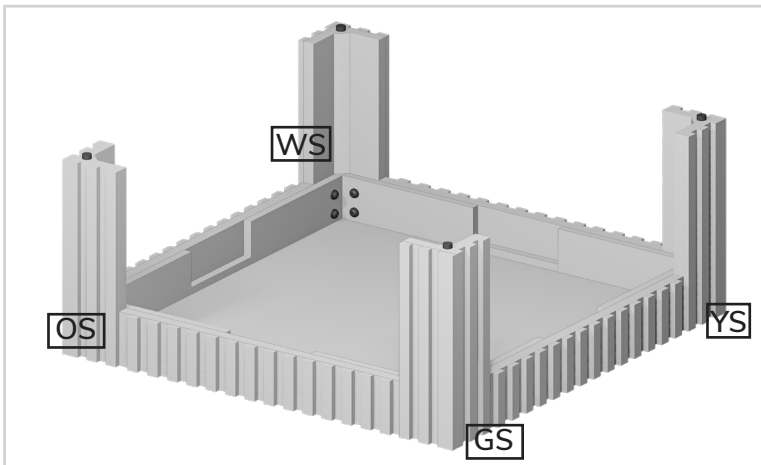
step 3:

Place by inserting plain washer (C), lock washer (D) in the given slots and tighten the bolts (E) using allen-key (F).



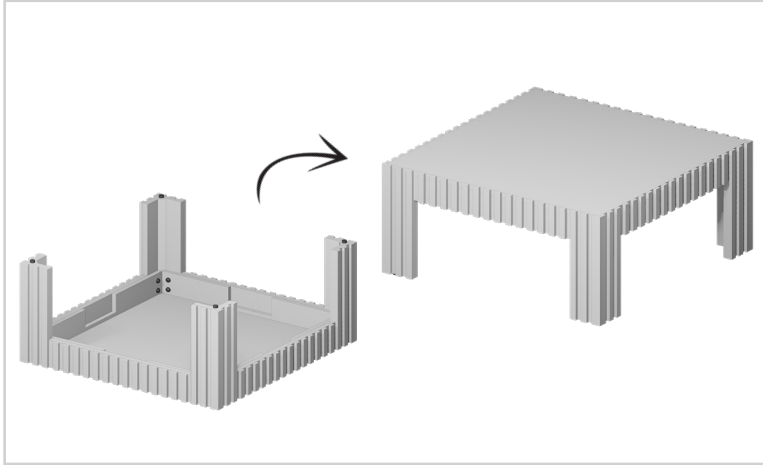
step 4:

Repeat steps 2 and 3 for the other legs. Make sure the stickers on the legs match the ones on the tabletop. Then, fully tighten all the bolts.



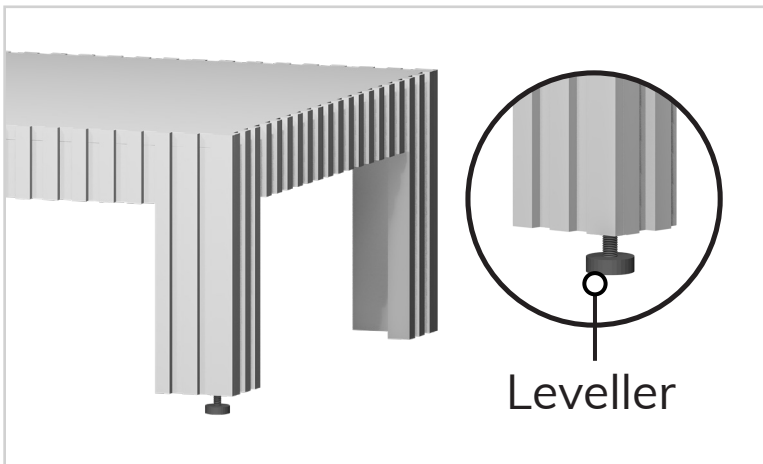
step 5:

Turn it into an upright position.



step 6:

If required, adjust the levellers according to the floor as shown in the image.



**Voila! Your coffee table is now assembled and secure!**