

ASSEMBLY INSTRUCTION



Dear Customer:

Thank you for purchasing our products, please contact us if you have difficulty with assembly or need replacement parts. Our customer service is here to assist you.

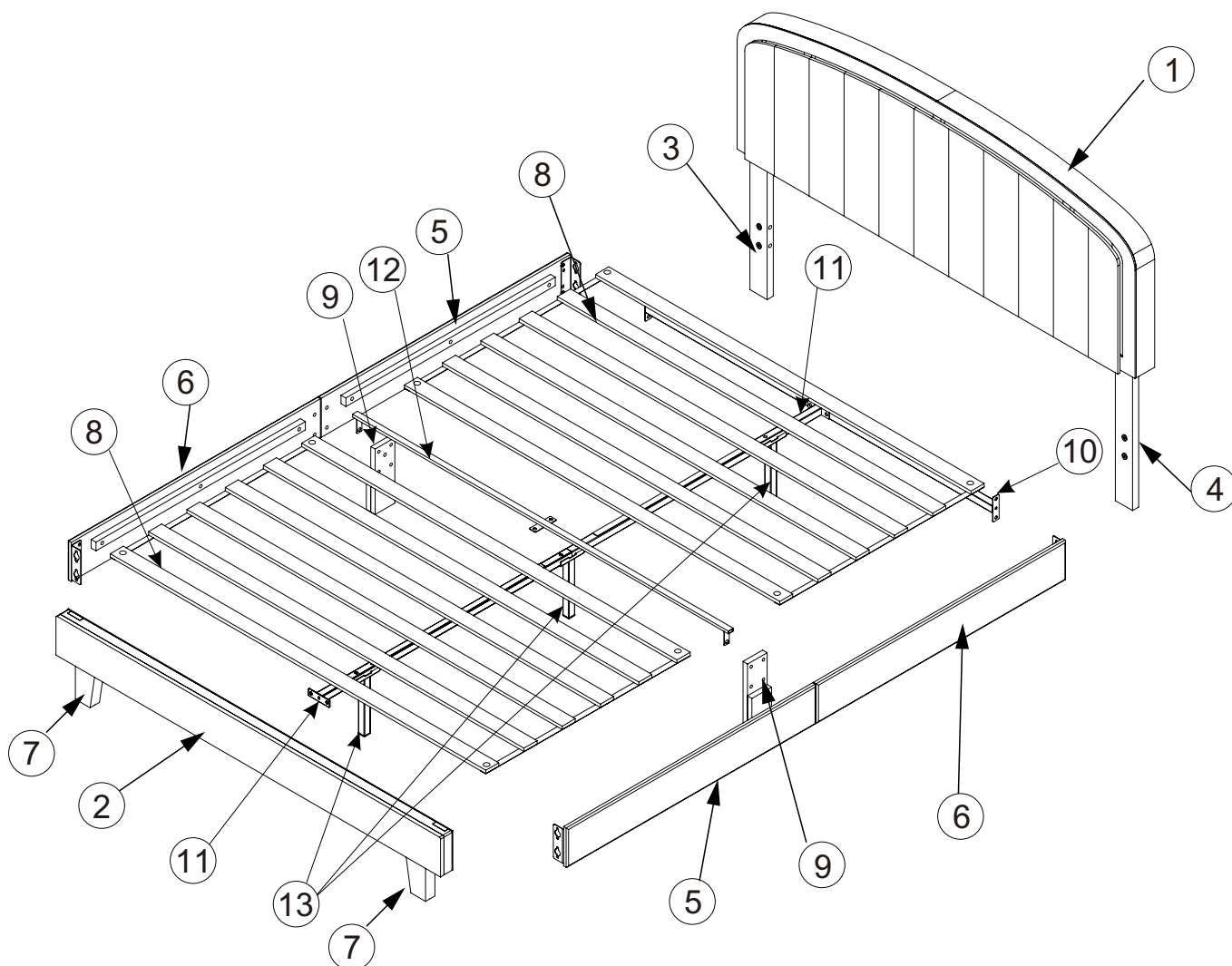
-Please keep these instructions for future reference. Before assembly, remove all parts from the carton and be sure to include all components.

-Please read each step carefully. Each step in the instructions must be performed in the correct order. Failure to perform these steps in order will result in assembly difficulties.

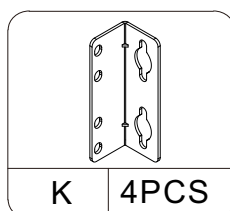
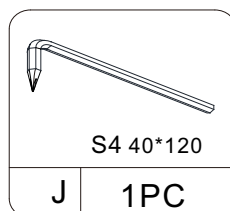
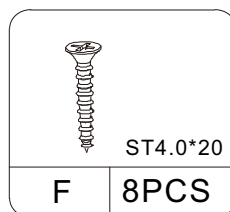
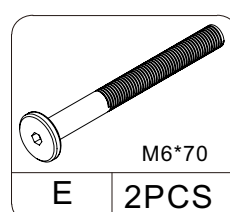
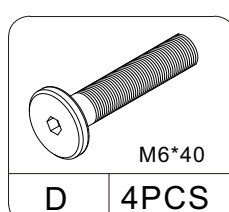
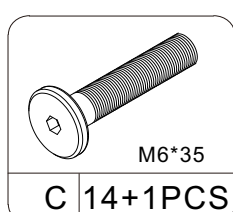
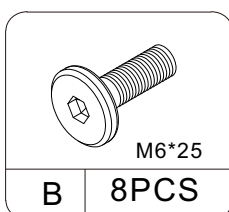
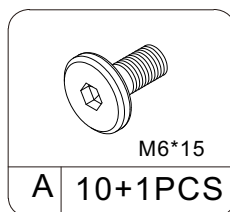
-Assemble the bed on a protected surface to avoid scratching the bed components. Do not use cross-thread screws. Please use a piece of cardboard packaging to protect your floor and product. Two people are recommended for assembly!

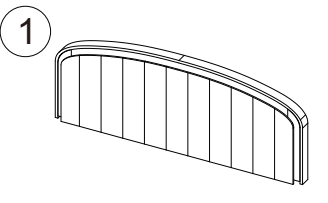
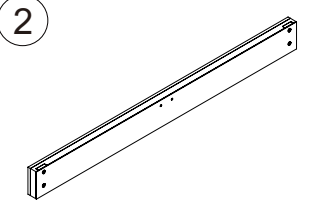
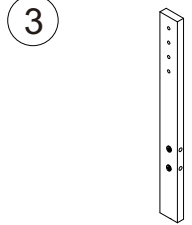
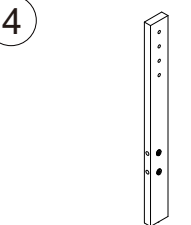
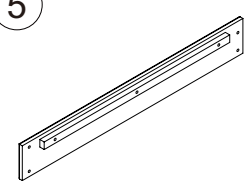
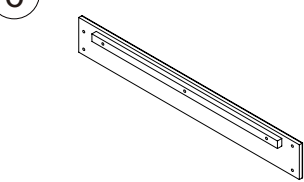
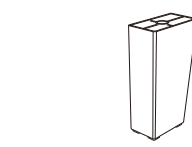
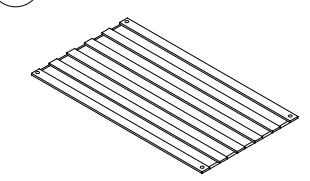
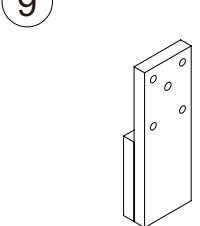
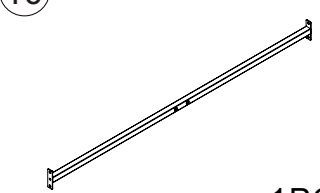
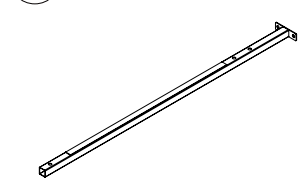
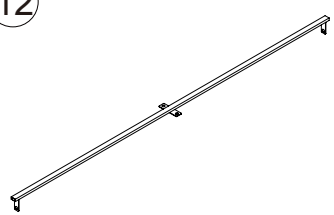
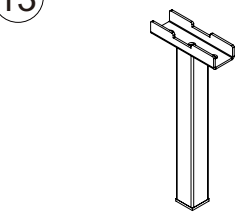


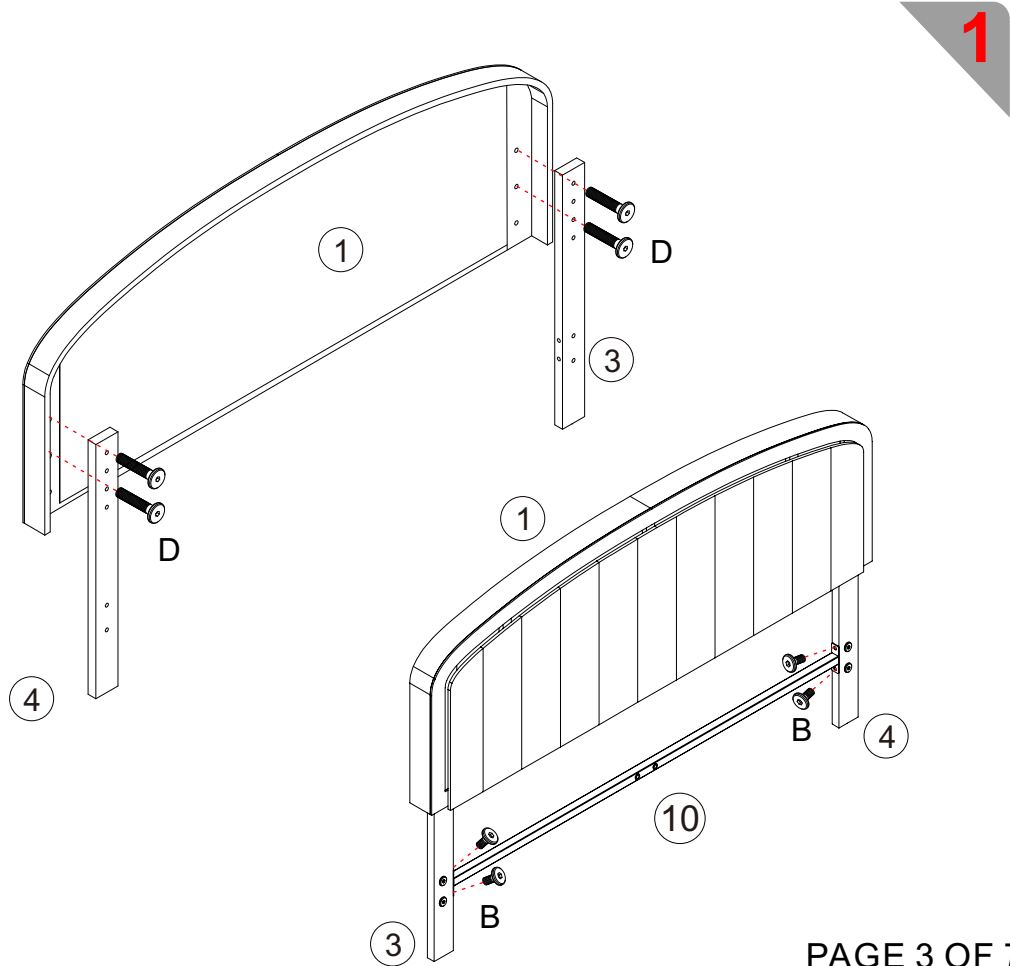
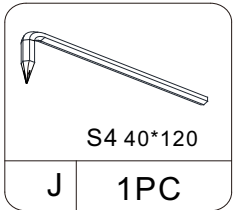
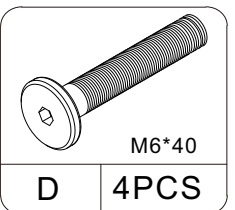
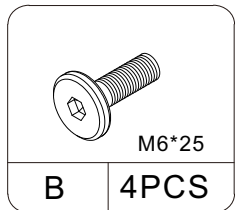
Please make sure all the accessories are complete!



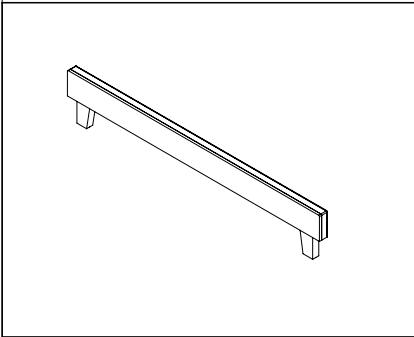
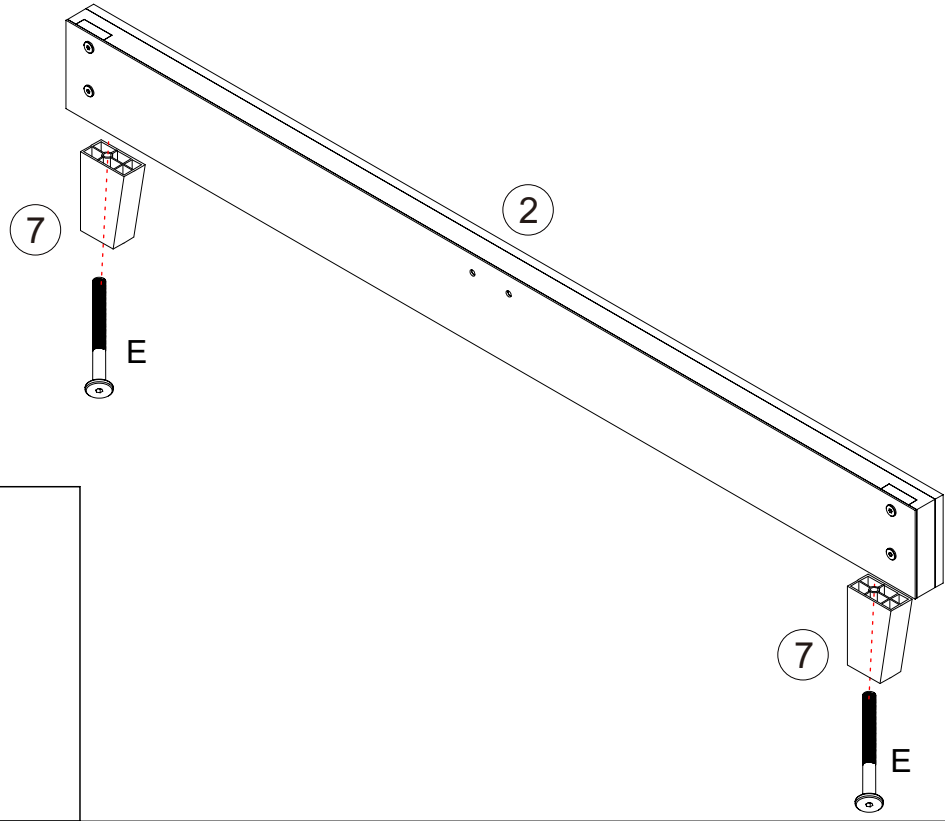
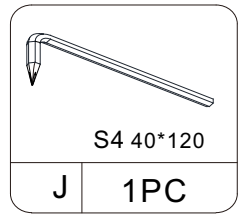
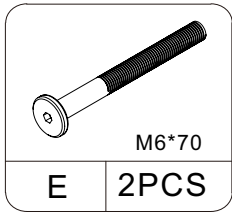
HARDWARE



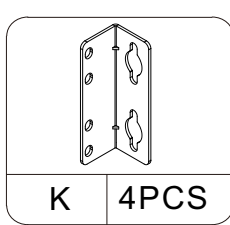
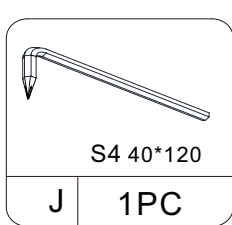
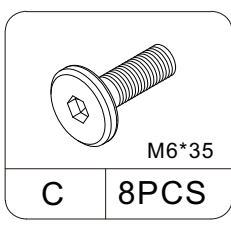
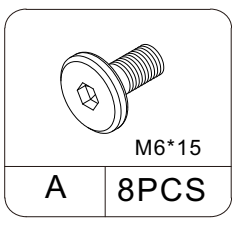
 <p>1 1PC</p>	 <p>2 1PC</p>	 <p>3 1PC</p>	 <p>4 1PC</p>
 <p>5 2PCS</p>	 <p>6 2PCS</p>	 <p>7 2PCS</p>	 <p>8 2PCS</p>
 <p>9 2PCS</p>	 <p>10 1PC</p>	 <p>11 2PCS</p>	 <p>12 1PC</p>
 <p>13 3PCS</p>	<p>14</p>		



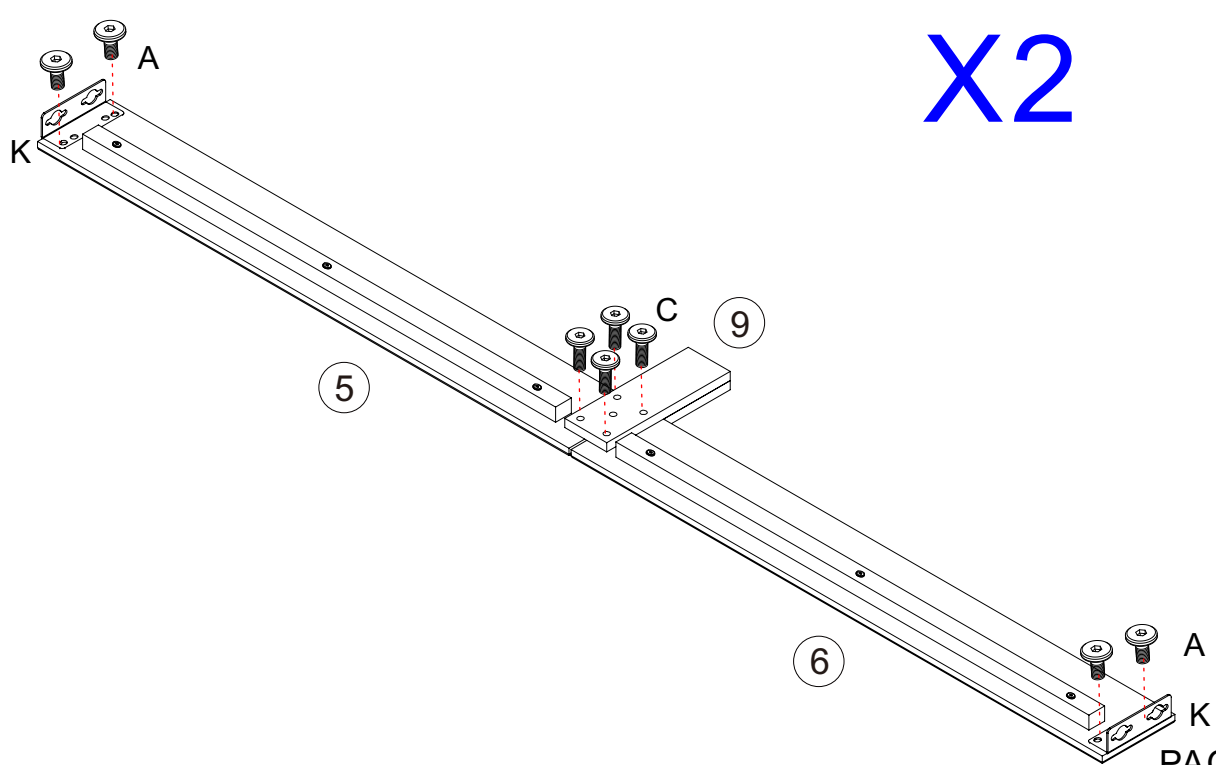
2

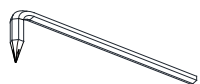


3



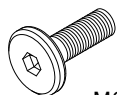
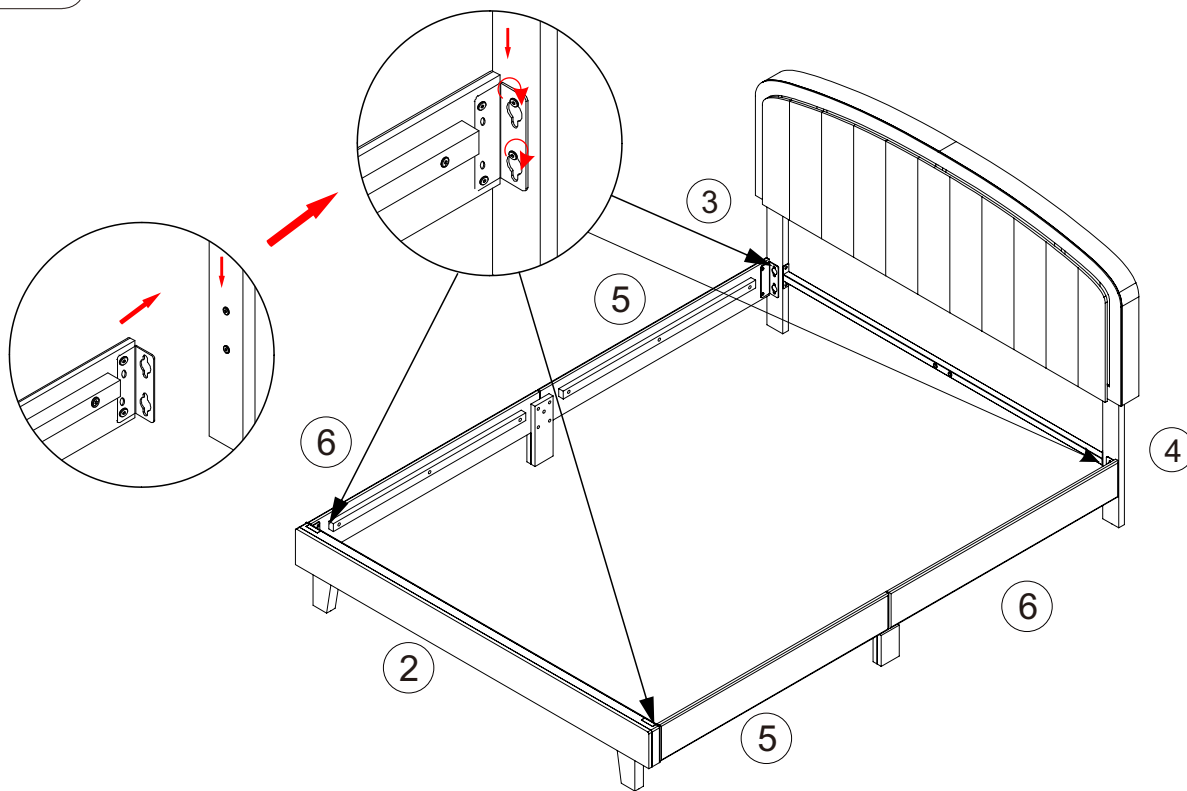
X2





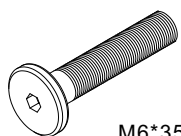
S4 40*120

J 1PC



M6*25

B 4PCS



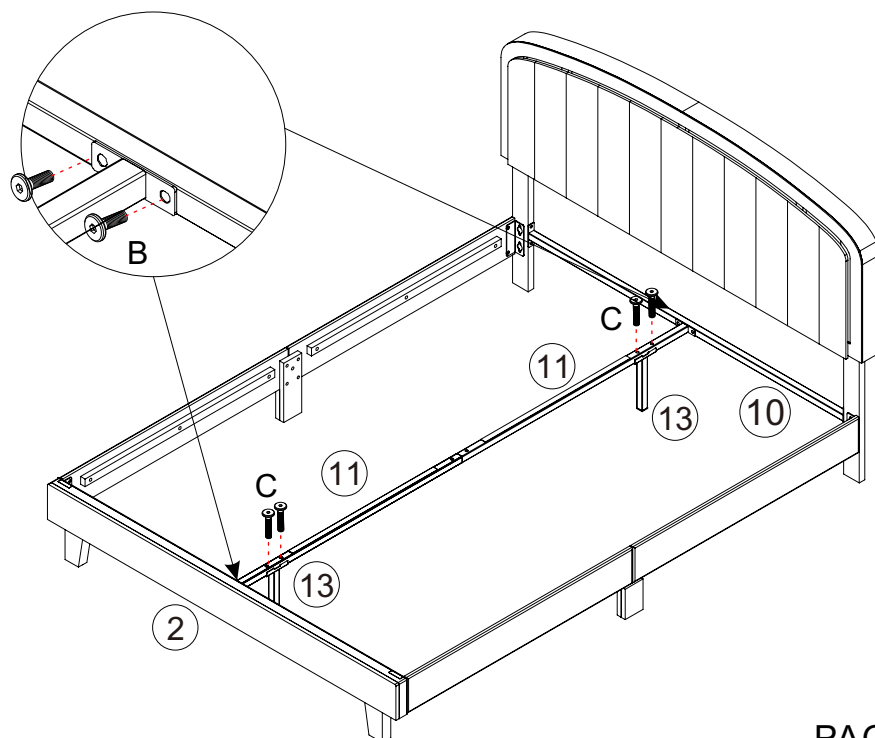
M6*35

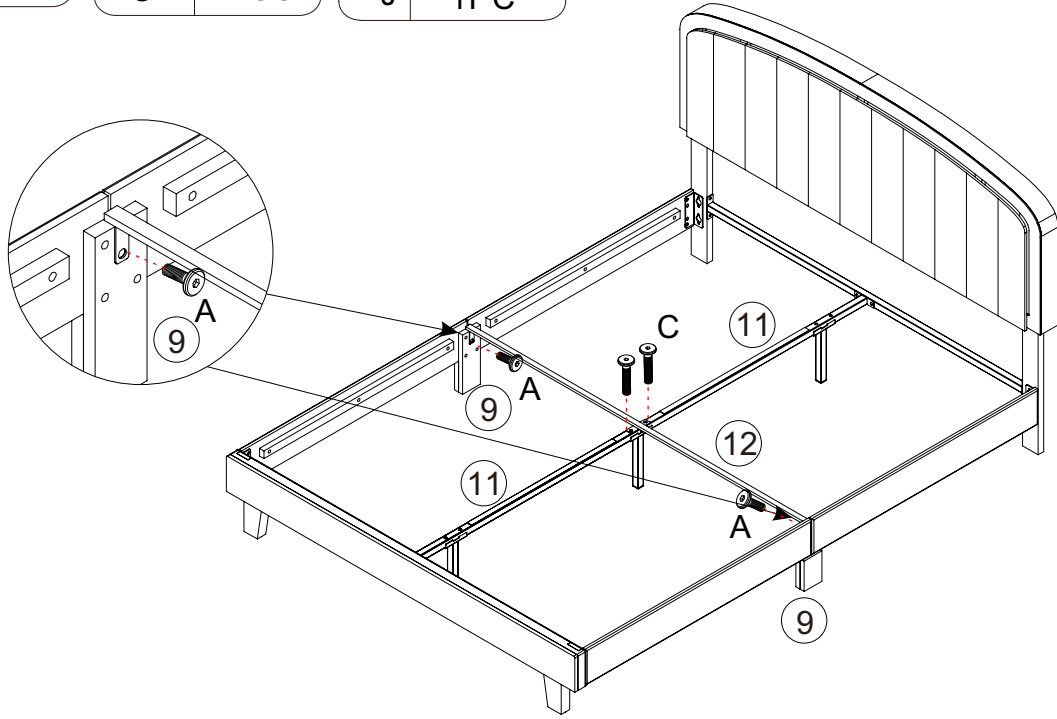
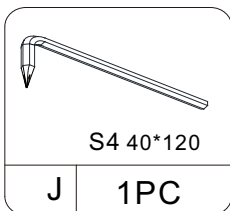
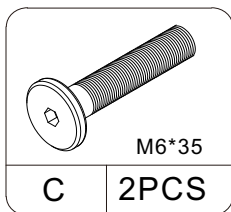
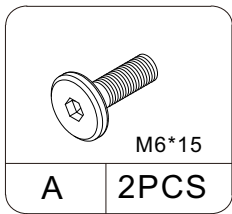
C 4PCS



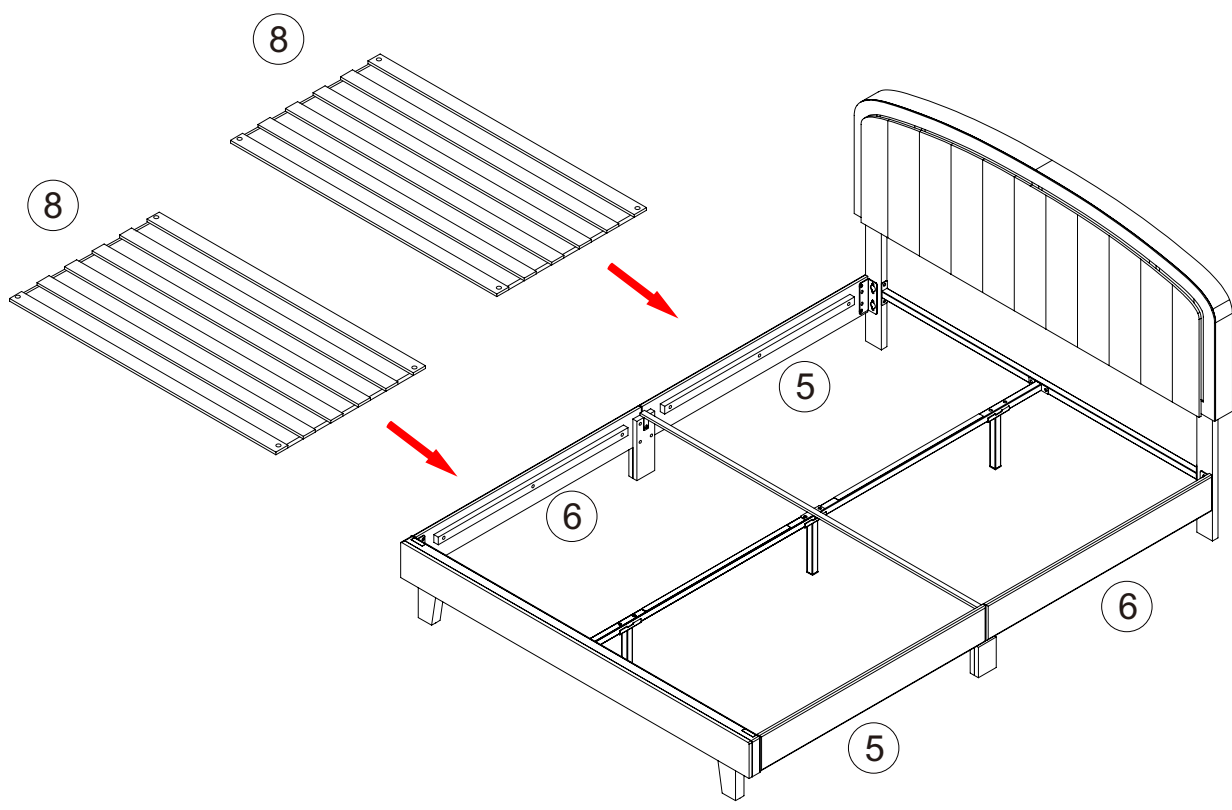
S4 40*120

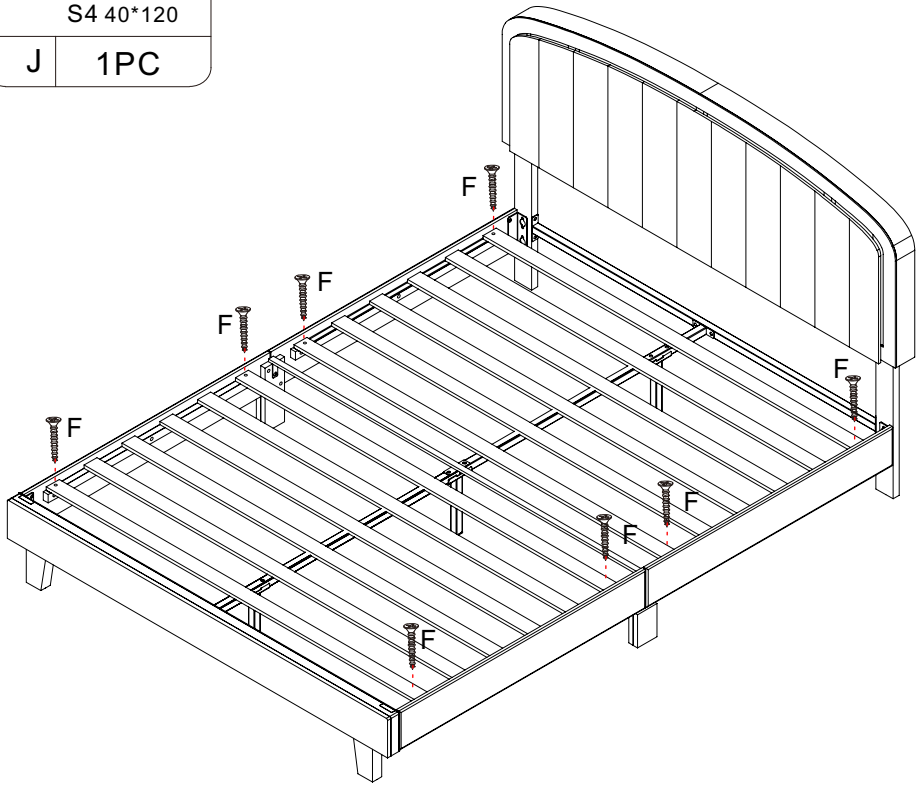
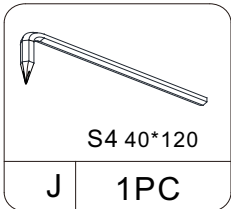
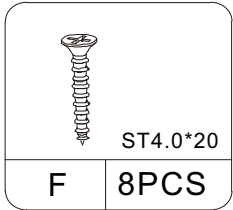
J 1PC





※Please tighten all screws.





FINISH

