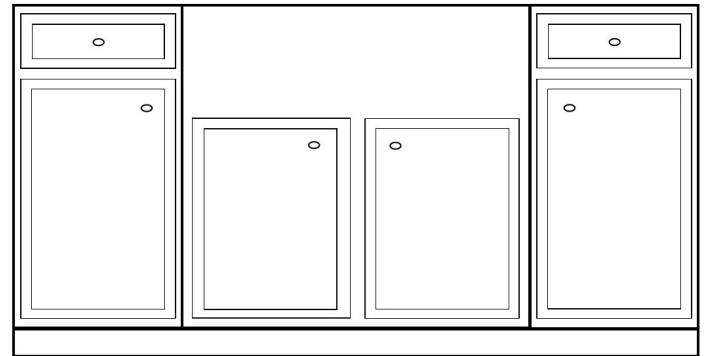


Before beginning the installation of your QA Series apron front sink, please check your sink carefully for any damage. Also check compliance with all your local building and plumbing codes.

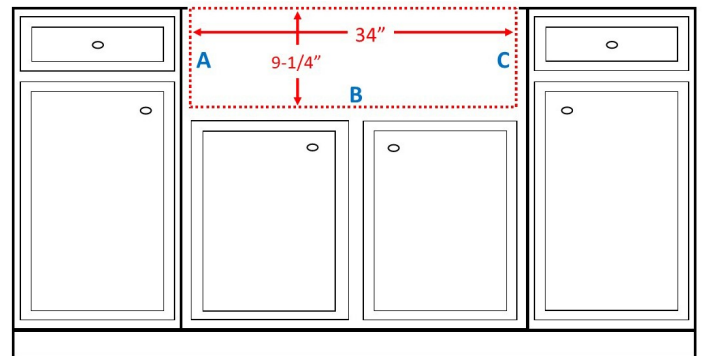
The following outlines how to install a QA apron front sink in a farmhouse sink base cabinet. It is recommended that only experienced installers be used to install your new apron front sink. Due to the custom nature of this installation, no cutout template is included with your sink. We require that you provide your cabinetmaker with the actual sink prior to the fabrication/installation of the cabinetry.

Choose an appropriately sized farmhouse sink base cabinet (36" wide). Measure your sink apron width and height. Your sink apron should be 34" wide from side to side and 9-1/4" from top to bottom, but measure your sink to confirm these exact dimensions. Tape off the face frame of the cabinet where you are going to be cutting the cabinet face frame. Use a masking or painters tape.

Next trace a rectangle onto the face frame, flush to the top of the face frame and centered on the panel from left to right. This rectangle will be the exact dimensions of the sink apron (34" x 9-1/4"). Use a square to produce an accurate rectangle. Using a sharp, fine cut blade in a jigsaw or similar saw, make clean, straight cuts on lines **A**, **B** and **C**. Remove excess face frame panel. Sand the cut edges of the opening to ensure they are clean and straight. Note that you may need to sand further when test fitting the sink.

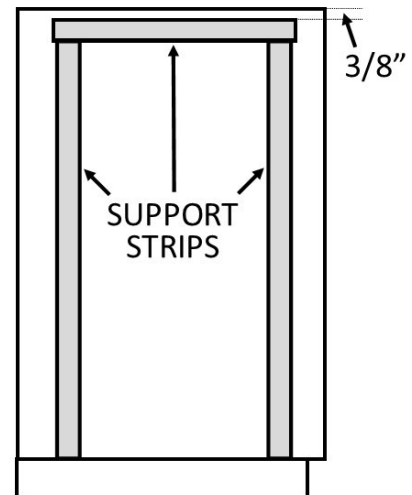


FRONT VIEW OF CABINETS



Once the cabinet face frame has been prepped, support strips need to be screwed into the side walls of the cabinet. Generally 2" x 4" wood strips make a suitable support system, cut to approximately 15" in length. Screw in the strips exactly 3/8" below the top edge of the cabinet wall on either side. Correct and level placement of horizontal supports will allow the sink to sit fully supported on the strips, with the top rim of the sink flush with the tops of the cabinet walls on either side of it. Place vertical supports beneath the horizontal supports for additional strength.

Slide the sink into place. The side aprons on either side should slide about 1/2" into the cabinet face frame opening. If side aprons are hindered by the face frame, remove the sink and sand edges of the face frame sufficiently to allow side aprons to slide into cabinet face frame by 1/2". The bottom of the apron will be flush with the horizontal cut in the face frame. Your sink is now in the correct position.



SIDE VIEW OF CABINET

When cutting the countertop, it is recommended that the sink be installed with an 1/8" positive reveal. A negative reveal may also be used if preferred. This should be discussed with your customer for approval prior to cutting the countertop. When installing the countertop, ensure an appropriate amount of silicone is placed on the rim of the sink to seal it to the underside of the stone countertop. Should you have any additional questions regarding the installation of an apron front sink, please call our customer service department at 866.452.7726.

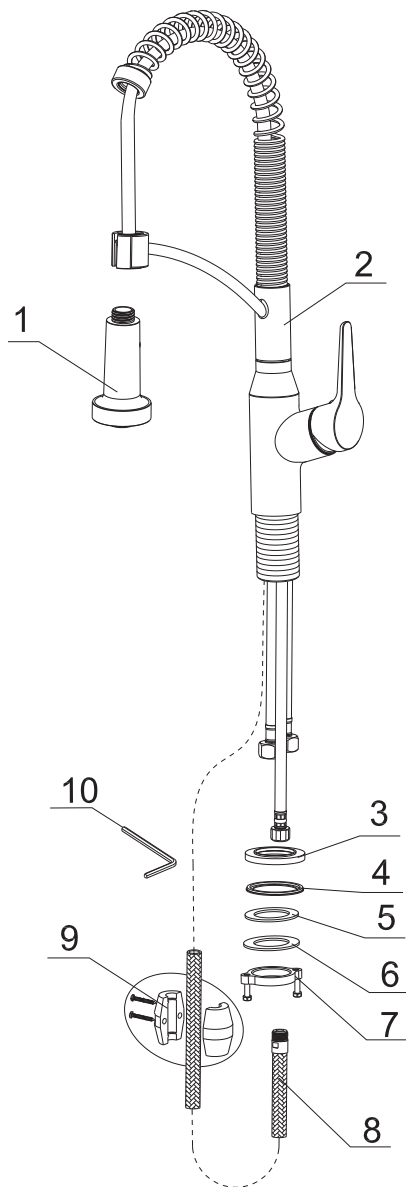
Karran[®]

INSTALLATION GUIDE

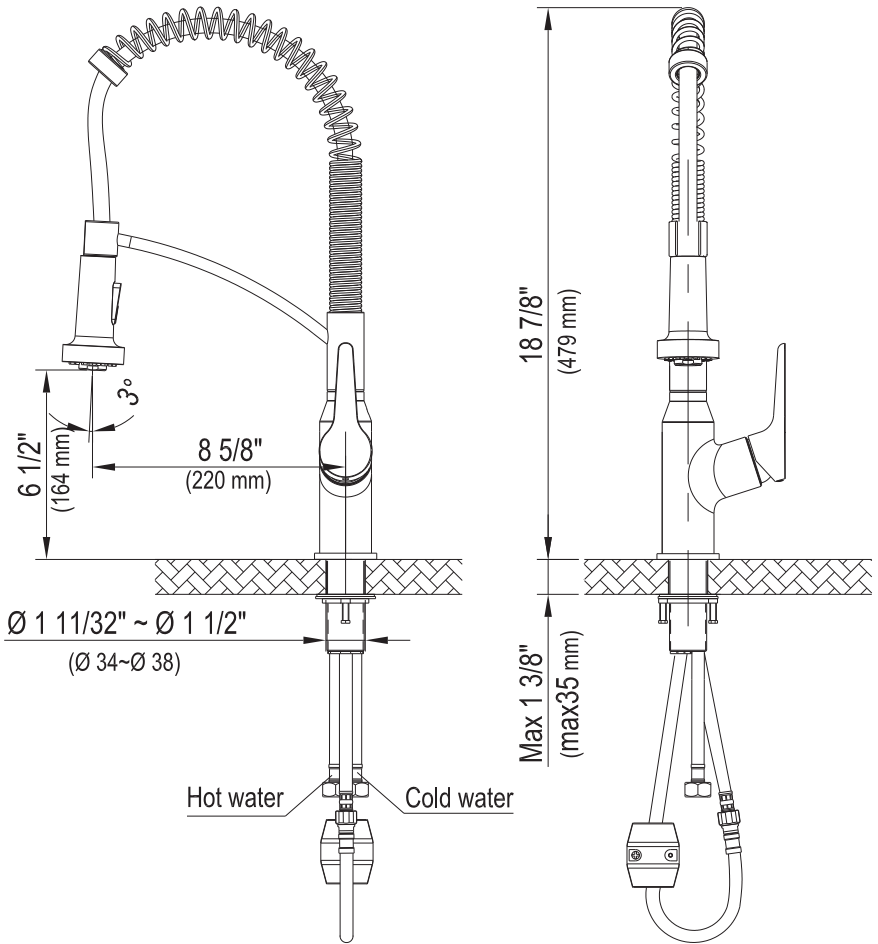


Scottsdale

Models: KKF210C KKF210SS
 KKF210MB KKF210GG
 KKF210BG

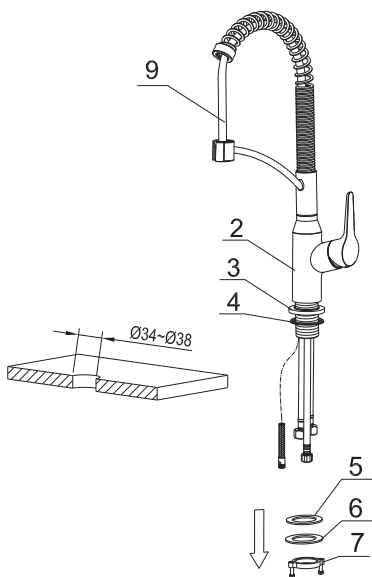


The Component List	Qty.
1. Spray Head	1
2. Main Body	1
3. Base	1
4. Rubber Washer A	1
5. Rubber Washer B	1
6. Metal Washer	1
7. Mounting Hardware	1
8. Spray Hose	2
9. Weight	1
10.Hex Wrench	1



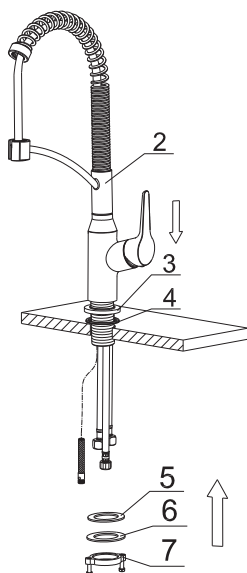
INSTALLATION GUIDE

STEP 1



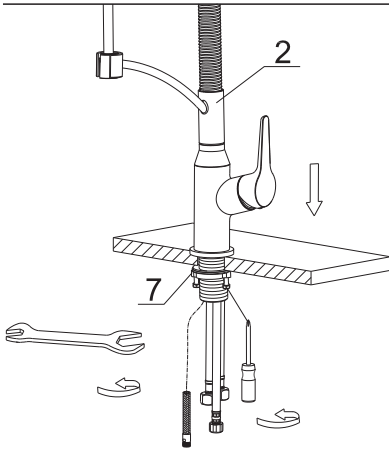
1. Remove the mounting hardware(7), metal washer(6) and rubber washer B(5) from the main body(2);

STEP 2



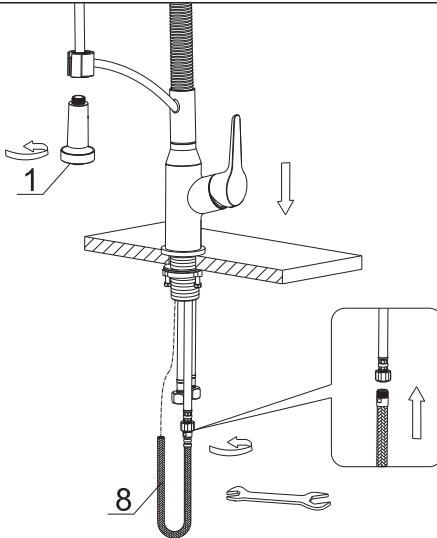
2. Insert the main body into hole with the base(3) and rubber washer A(4). Refix the rubber washer B(5), metal washer(6) and mounting hardware(7) from the bottom.

STEP 3



3. After adjusting the direction of the main body(2), tighten the mounting hardware(7) with hands and tighten the screws with a Philips screwdriver.

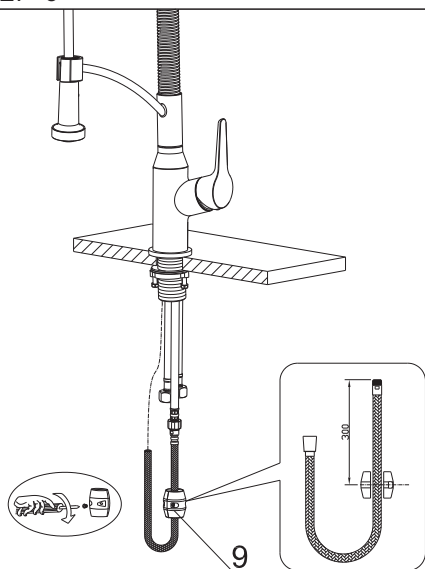
STEP 4



4. Connect the spray hose(8) and spray head(1) to finish installation.

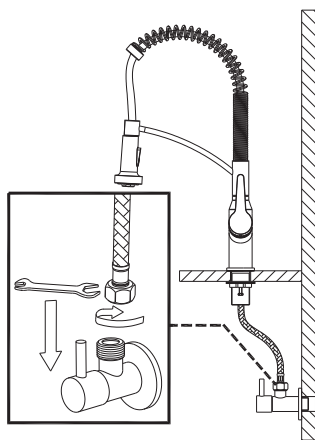
INSTALLATION GUIDE

STEP 5



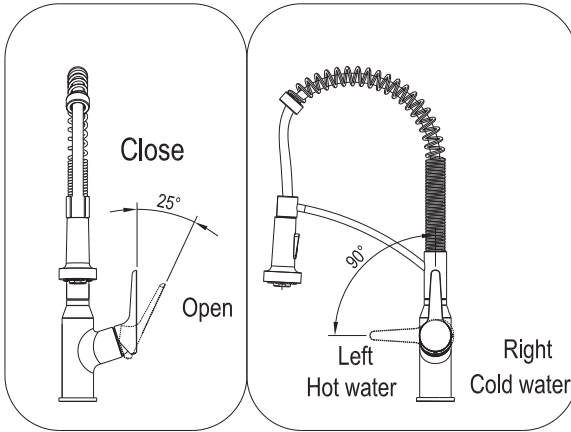
5. Attach the weight(9) on the spray hose(8).

STEP 6



6. Connect the waterlines to outlet tightly. Turn on the outlet and check for leaks.

How to operate the handle:

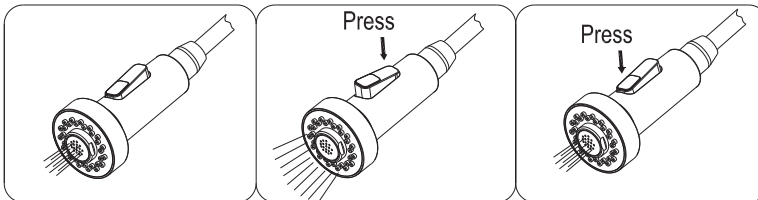


- 1) Open the handle lever to turn water on. Push to turn off.
- 2) Turn the handle lever to the left to increase hot water flow with higher water temperature, while lower the water temperature by operating reversely.

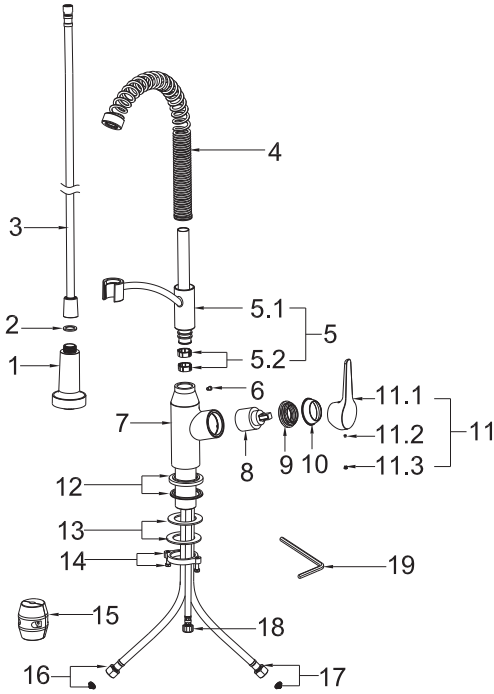
Spray

The operation of the spray diverter:

- 1) When first turned on, water comes from aerator.
- 2) Press button back, water comes from nozzles.
- 3) Press button front, water comes from aerator.
- 4) Diverter button automatically returns to normal position once handle closed .



REPLACEMENT PARTS



No.	Description	Finishes/Colors	Item No.
1	Spray	C, SS, MB, GG, BG	500301912**
2	Washer		70020038930
3	Spray Hose	C, SS, MB, GG, BG	500401612**
4	Spring Assembly	C, SS, MB, GG, BG	500600410**
5	Spray Support Assembly	C, SS, MB, GG, BG	400601991**
6	Set Screw		50060033800
7	Main Body	C, SS, MB, GG, BG	100300519**
8	35A Cartridge		20060010900
9	Nut		40060199252
10	Cap	C, SS, MB, GG, BG	500101091**
11	Handle	C, SS, MB, GG, BG	200100446**
12	Base	C, SS, MB, GG, BG	500101638**
13	Rubber & Metal Washer		70020037354
14	Mounting Nuts & Screws		40060185018
15	Weight		50020066700
16	Hot Waterline		50042068521
17	Cold Waterline		50042068526
18	Supply Hose		50040196200
19	Hex Wrench		50060003700

** Denotes faucet component color options:

- C - Chrome
- SS - Spot Free Stainless Steel
- MB - Matte Black
- GG - Gun Gray
- BG - Brushed Gold