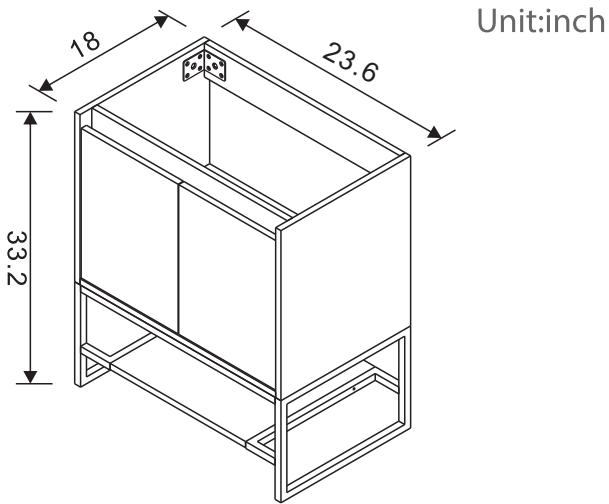


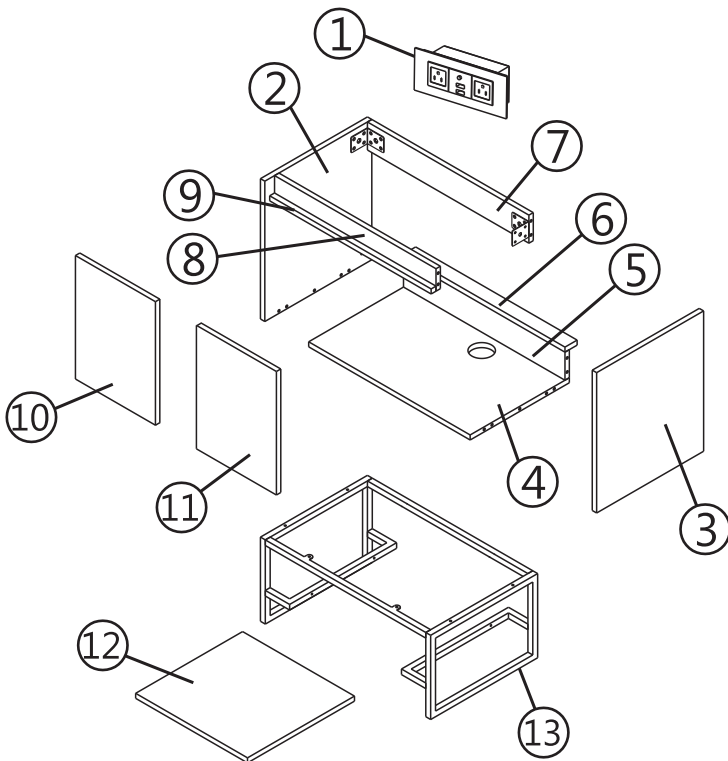
INSTALLATION INSTRUCTIONS

*The vessel and faucet set is not included



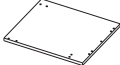
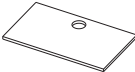
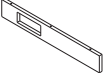
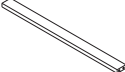
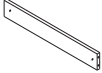


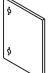
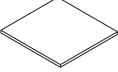
DIMENSIONS

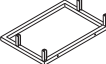
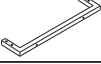
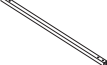



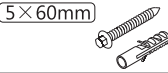








ASSEMBLY DIAGRAM



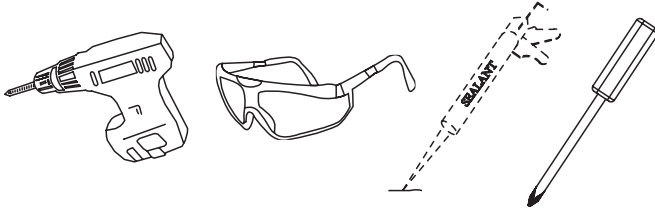
PARTS LIST

No.	Description	QTY
1		1
2		1
3		1
4		1
5		1
6		1
7		1
8		1
9		
10		1
11		1
12		1

Number	Picture	Qty
13	A 	2
	B 	2
	C 	1
	D 	1
	E 	16
14		2
15	 5×60mm	2
16		4
17		22
18	 4×14mm	42
19	 4×35mm	8
20		1
21		4


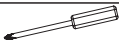

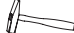
CAUTION: Please confirm the parts list before installtion

YOU MAY NEED (NOT SUPPLIED)

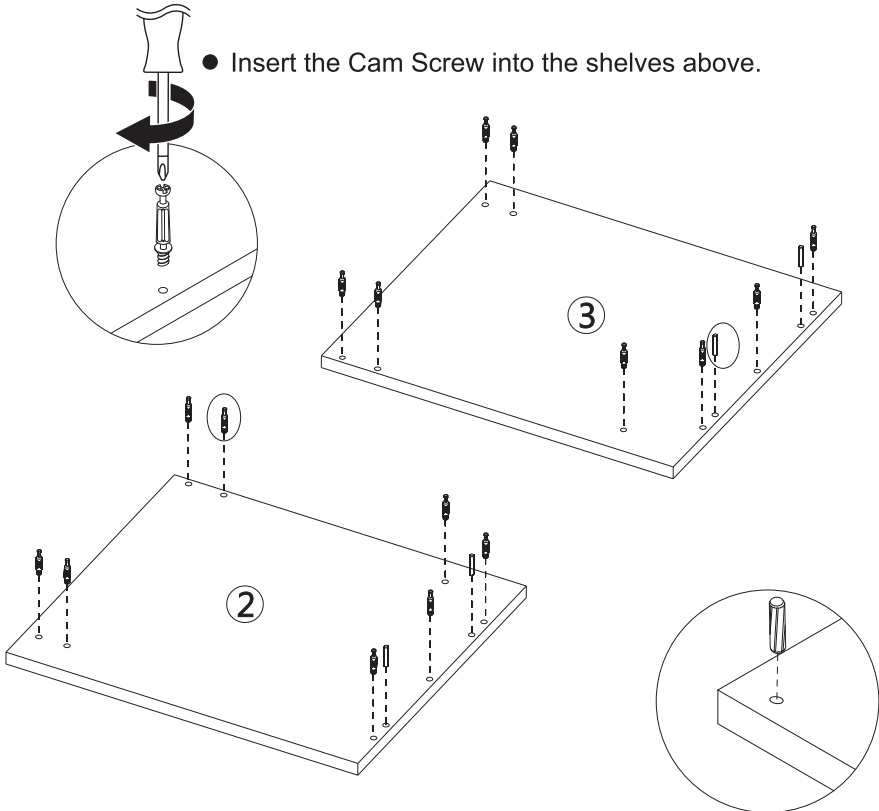


INSTALLATIONS

STEP 1

HARDWARE LIST			
17		18PCS	
16		4PCS	

- Insert the Cam Screw into the shelves above.

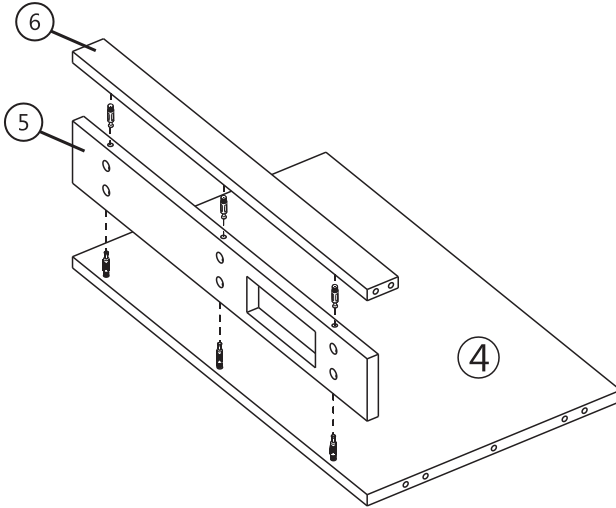
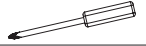


- Insert the wooden dowel pins into the shelves.

STEP 2

HARDWARE LIST

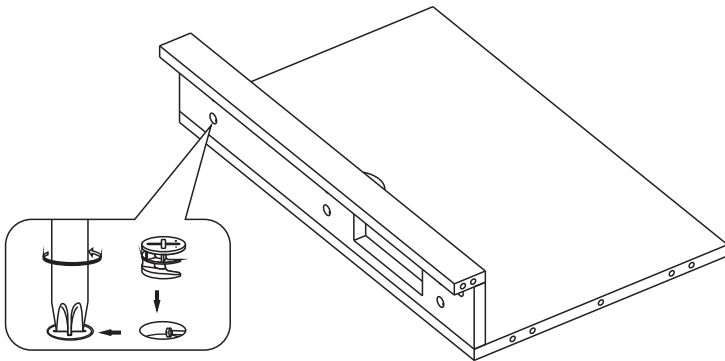
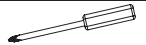
17  6PCS



STEP 3

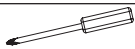
HARDWARE LIST

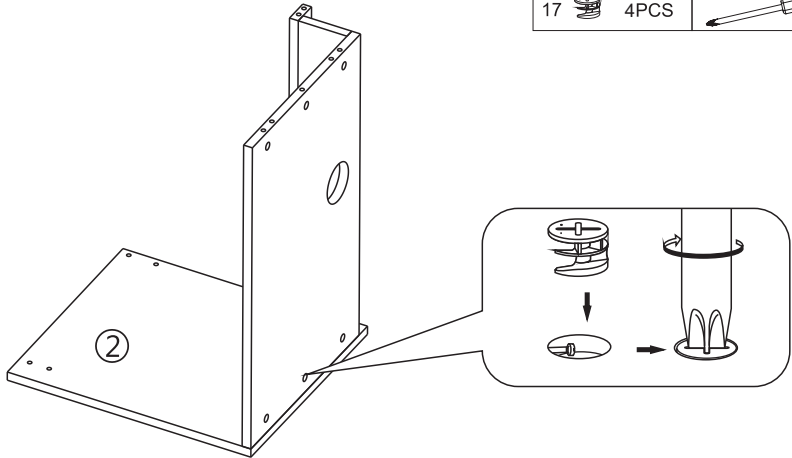
17  6PCS



- Refer to the illustration,
Then tighten the cam lock with the cover.

STEP 4

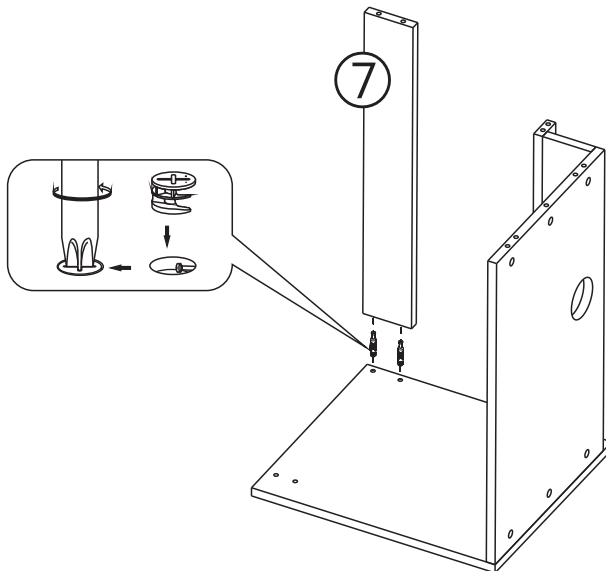
HARDWARE LIST		
17		4PCS
		



- Refer to the illustration,
Then tighten the cam lock with the cover.

STEP 5

HARDWARE LIST		
17		2PCS
		

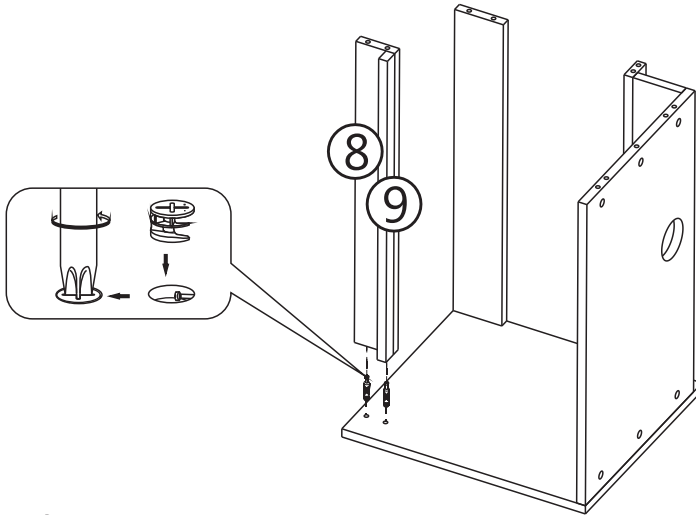
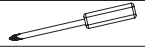


- Refer to the illustration,
Then tighten the cam lock with the cover.

STEP 6

HARDWARE LIST

17  2PCS

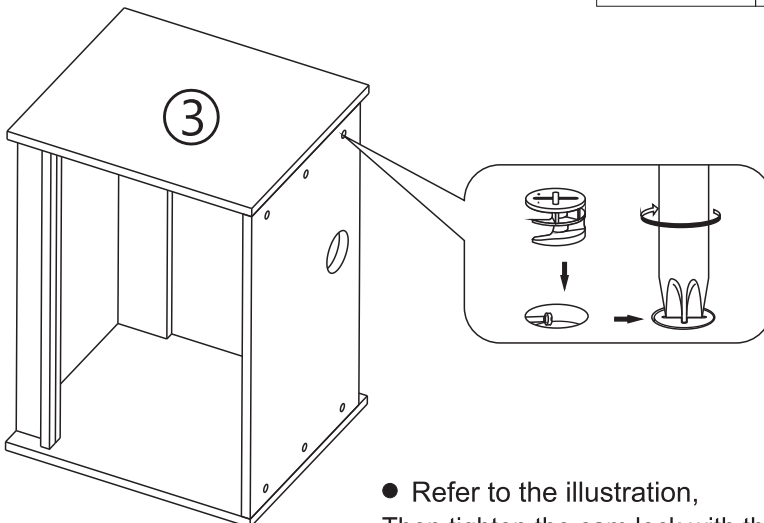
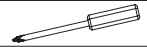


- Refer to the illustration,
Then tighten the cam lock with the cover.

STEP 7




HARDWARE LIST

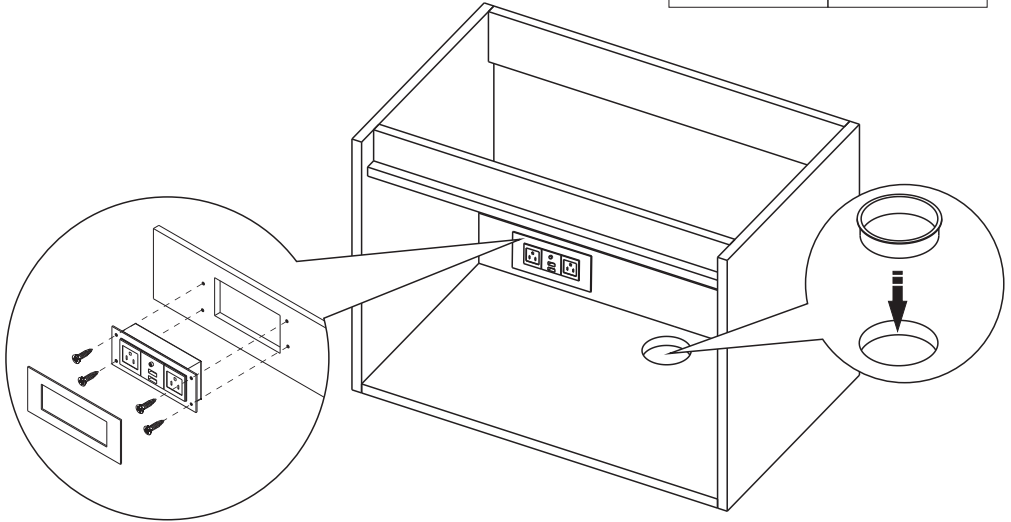
17  8PCS



- Refer to the illustration,
Then tighten the cam lock with the cover.



STEP 8

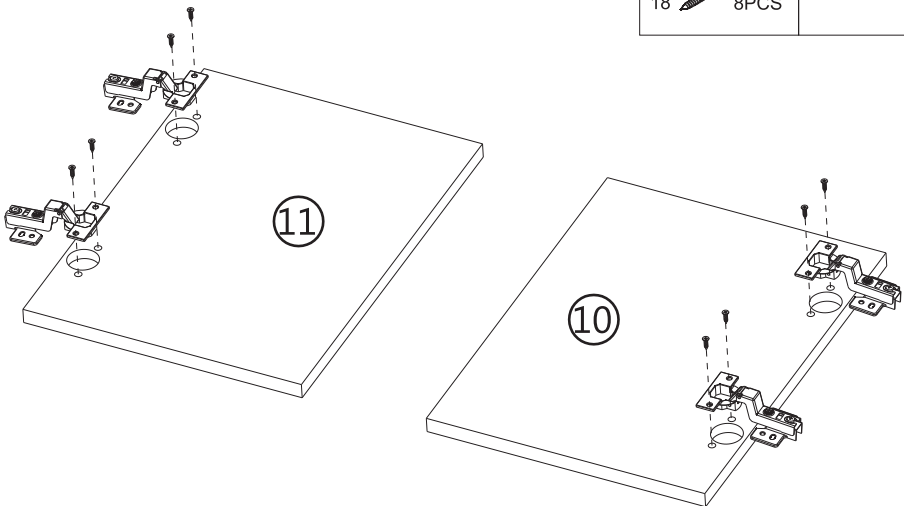
HARDWARE LIST		
20		1PCS
1		1PCS
18		4PCS





- Refer to the illustration, lock the combined shelf with screws.

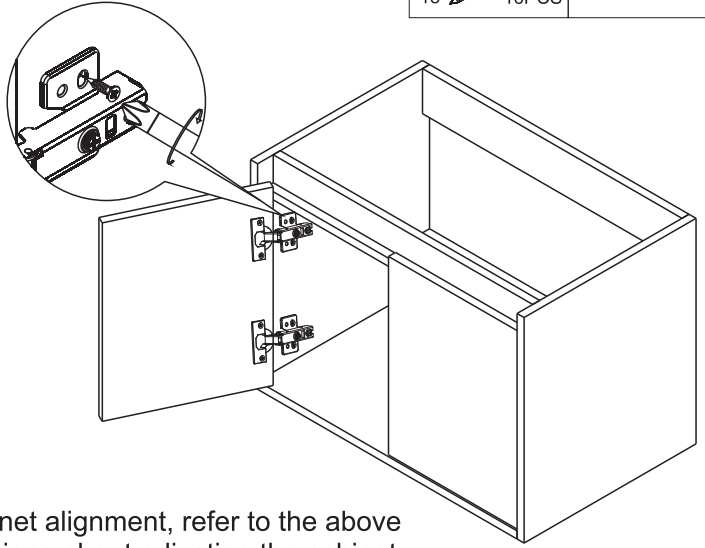
STEP 9

HARDWARE LIST		
21		4PCS
18		8PCS

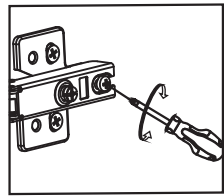
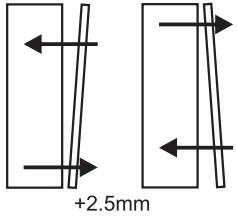


STEP 10

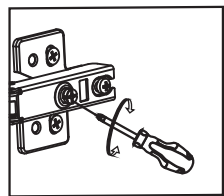
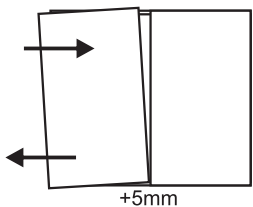
HARDWARE LIST		
21		4PCS
18		16PCS



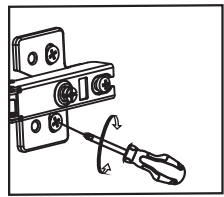
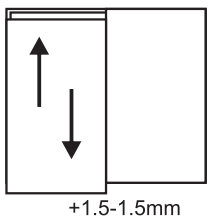
To ensure proper cabinet alignment, refer to the above illustrations for instructions about adjusting the cabinet height, depth and lateral movement.



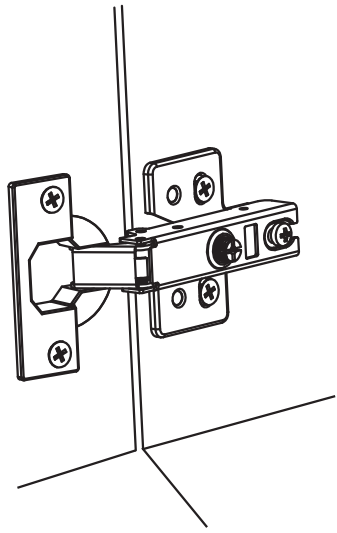
A. Depth adjustment



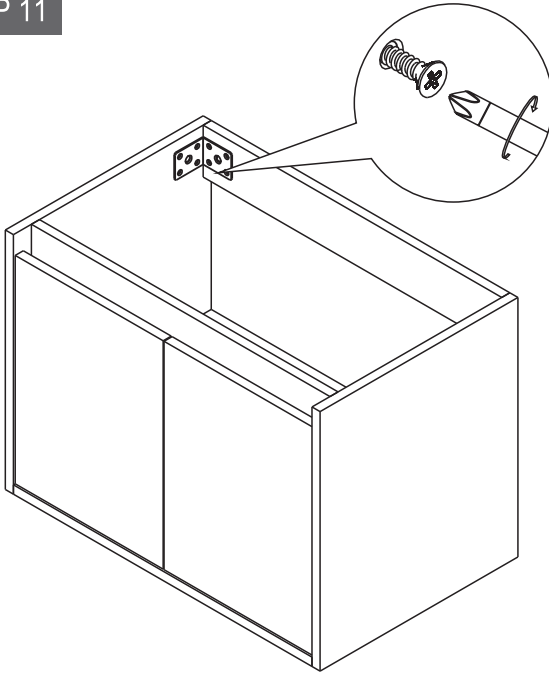
B. Side to side adjustment





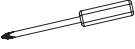
C. Height adjustment



STEP 11

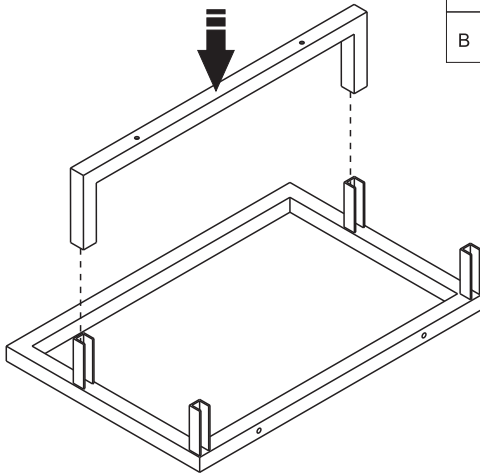




HARDWARE LIST		
14		2PCS
18		16PCS



- Refer to the illustration, lock the combined shelf with screws.

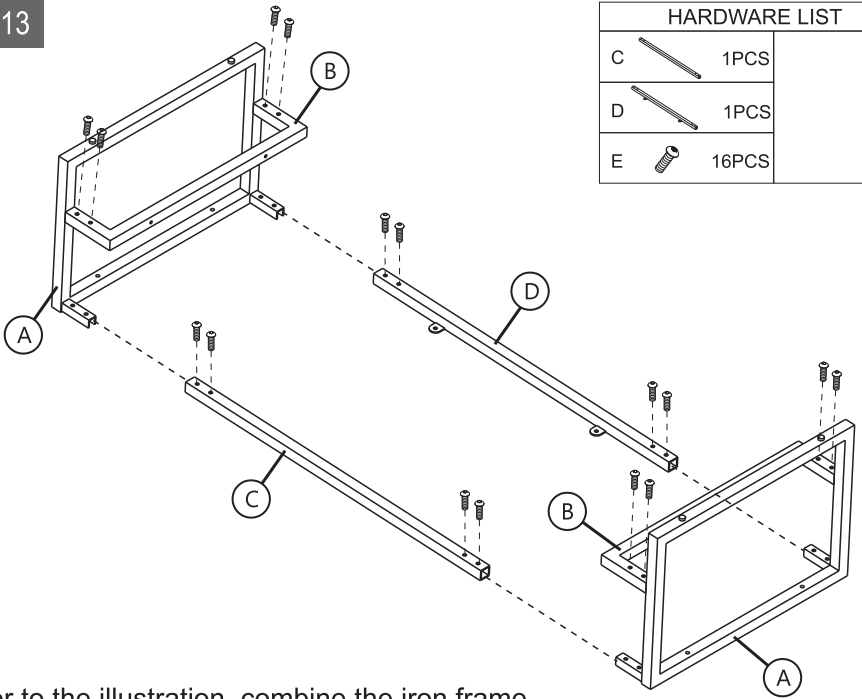
STEP 12



HARDWARE LIST		
A		2PCS
B		2PCS

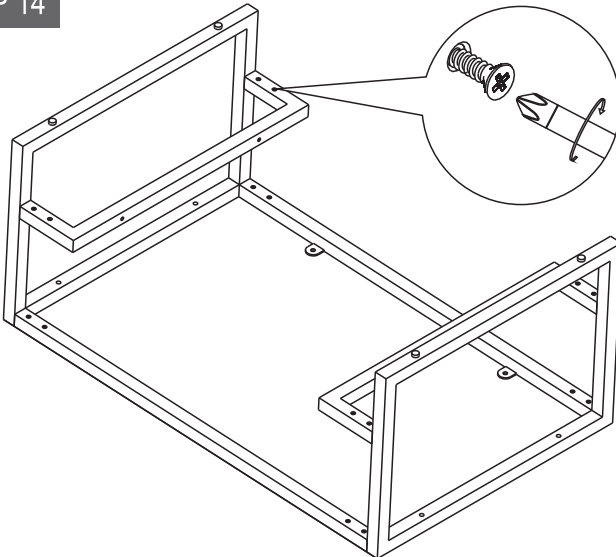
- Refer to the illustration, combine the iron frame and cabinet and lock it with screws.

STEP 13



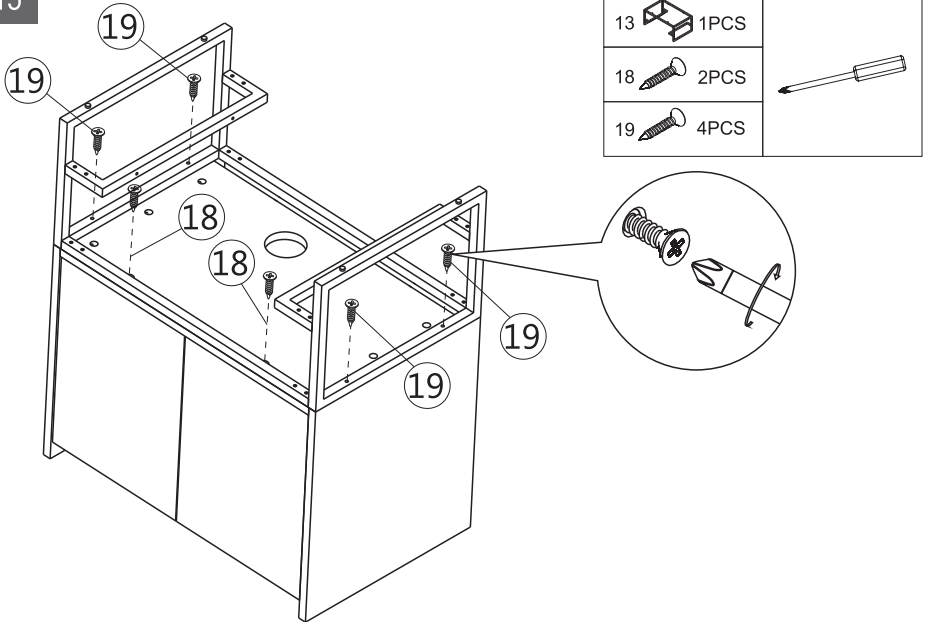
- Refer to the illustration, combine the iron frame and cabinet and lock it with screws.

STEP 14



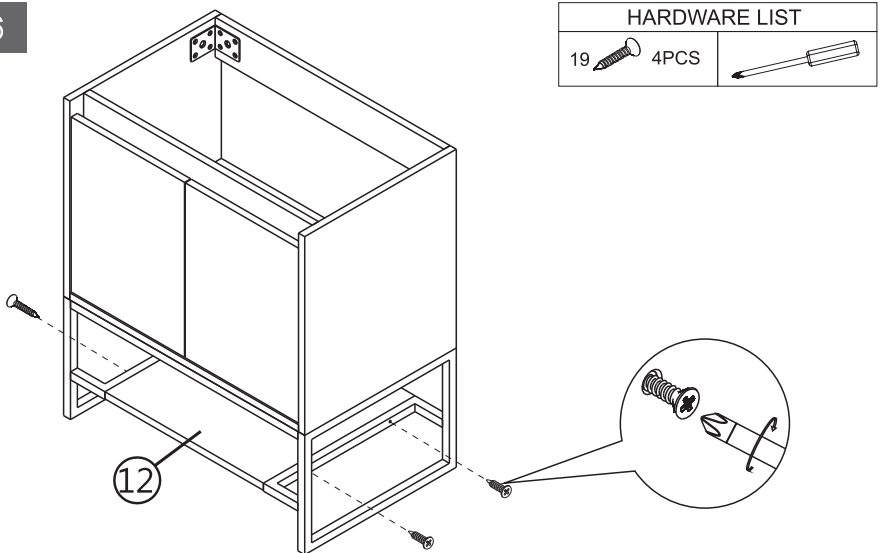
- Refer to the illustration, combine the iron frame and cabinet and lock it with screws.

STEP 15





- Refer to the illustration, combine the iron frame and cabinet and lock it with screws.

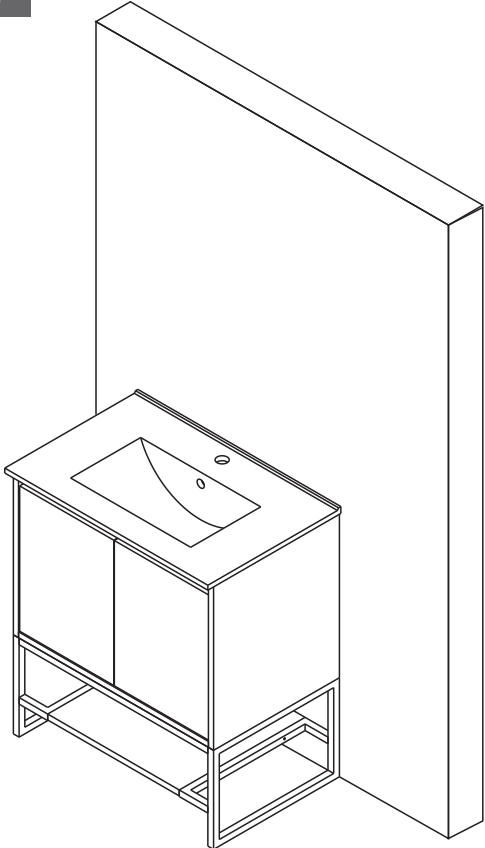
STEP 16



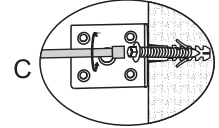
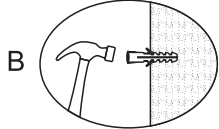
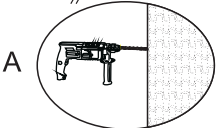
- Refer to the illustration, combine the iron frame and cabinet and lock it with screws.

STEP 17

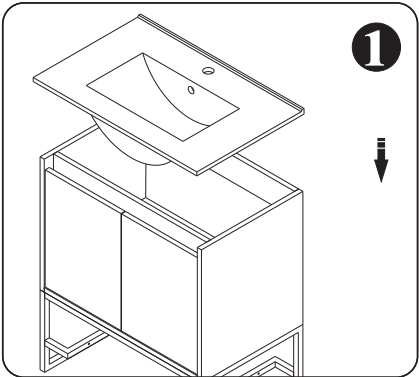
HARDWARE LIST		
15		2PCS
15		2PCS



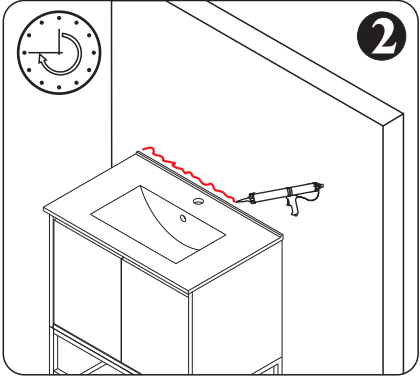
 8mm



● Refer to the illustration, Draw the spacing between the walls on the cabinet, punch holes in the wall, and fix the cabinet to the wall with screws. Then tighten the nut cover.

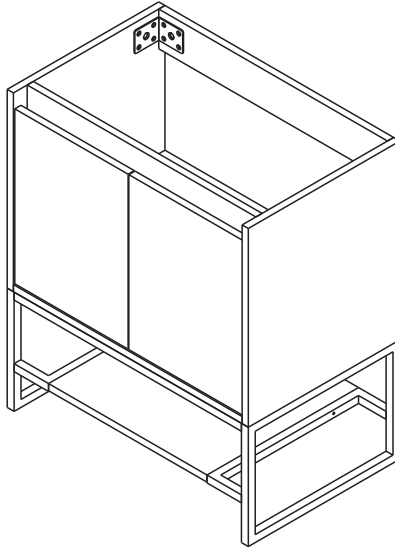


silicone transparent



Install the basin on the cabinet with glue. Put into use after 24 hours.

STEP 18



- To help prevent mildew, apply sealant to the space between the wall and the edge of the cabinet.

CARE AND CLEANING

1. Many cleansers contain abrasive and chemical substance which is not suitable for cleaning stainless steel, enamel, plating or plastic products. You may use mild cleansers or soaps to clean the surfaces. Wipe any splashes of cleaner solutions from the surface with a clean soft cloth.
2. Maintain ventilation in the bathroom and separate the dry area from the damp one if conditions permit. Try to open the door and windows of the bathroom to maintain adequate ventilation.
3. This cabinet is built to withstand normal bathroom humidity. For best results, keep this vanity dry and take necessary steps to minimize bathroom humidity by opening windows and doors and using the exhaust fan (if available).
4. To maintain the cabinet door, clean and wipe the door regularly with a soft cloth. Wipe condensation with a dry, soft cloth. Keep away from fires and high temperatures.
5. Please do not sit, lean or step on the basin cabinet.



Thank you very much for purchasing from eclife

We have always been trying to provide the best service and reliable products for every customer.

However, accident may happen sometimes, please contact us to resolve any issue before leaving a negative feedback.

Many thanks and welcome to our shop again!