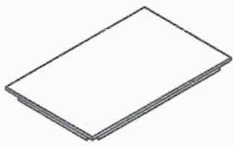
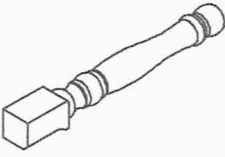


ASSEMBLY INSTRUCTIONS

DESCRIPTION : TABLE

Thanks you for purchasing this quality product. Be sure to check all packing material carefully for small Hardware which may have some loose inside the carton during shipment. Identify and count all Hardware. Identify and all Hardware and compare with the Hardware List Below.

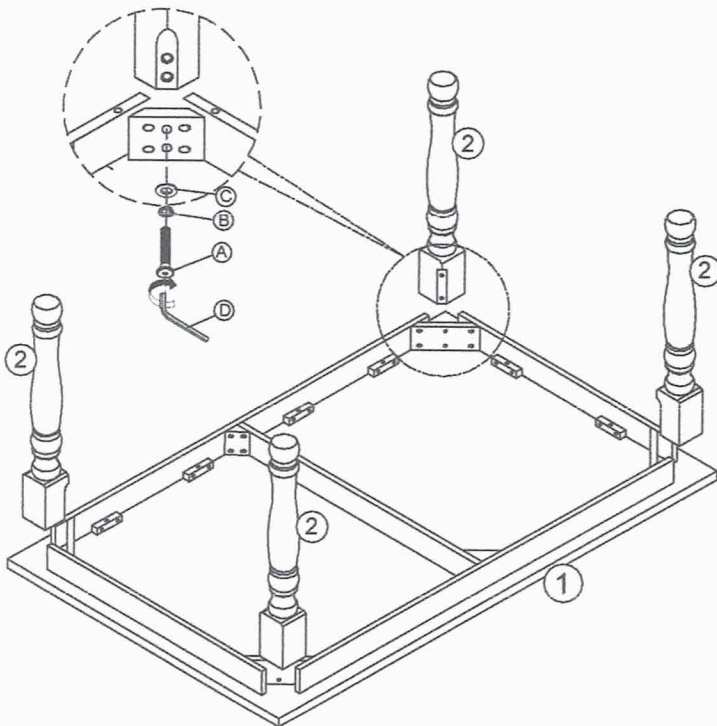
"PART LISTS"

NO	DESC	OUTLOOK	Q'TY
1	TABLE TOP		1pc
2	TABLE LEG		4pcs

"HARDWARE LISTS"

NO	OUTLOOK	SIZE	Q'TY
A		5/16" x 65mm BOLT	4pcs
B		5/16" SPRING WASHER	8pcs
C		5/16" x 19mm LOCK WASHER	8pcs
D		4mm ALLEN WRENCH	1pc

STEP 1



COMPLETE

