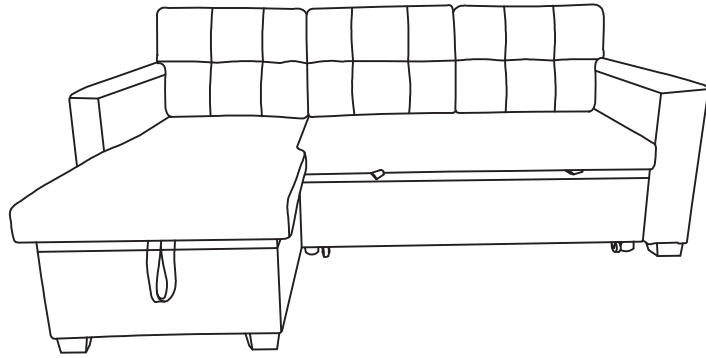
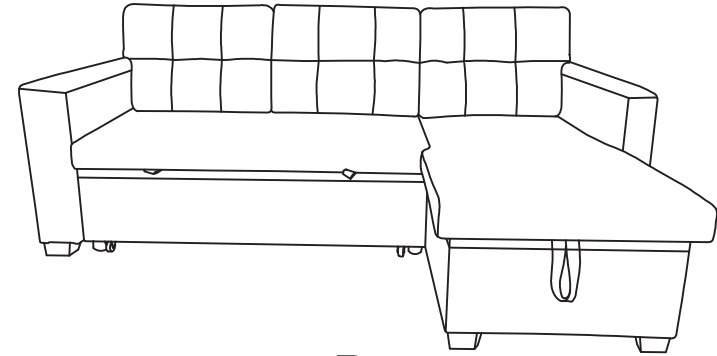


ASSEMBLY INSTRUCTION

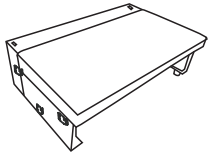
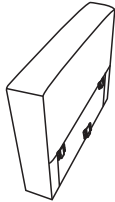
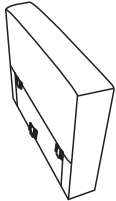
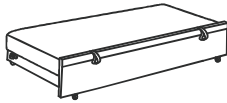
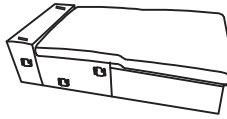
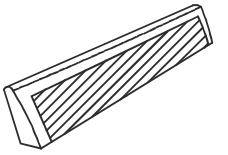
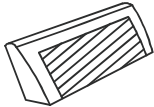
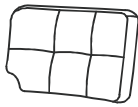
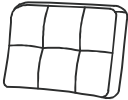
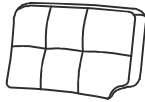


-L

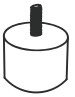
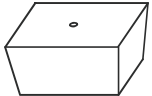
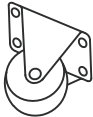


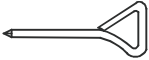
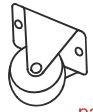




-R

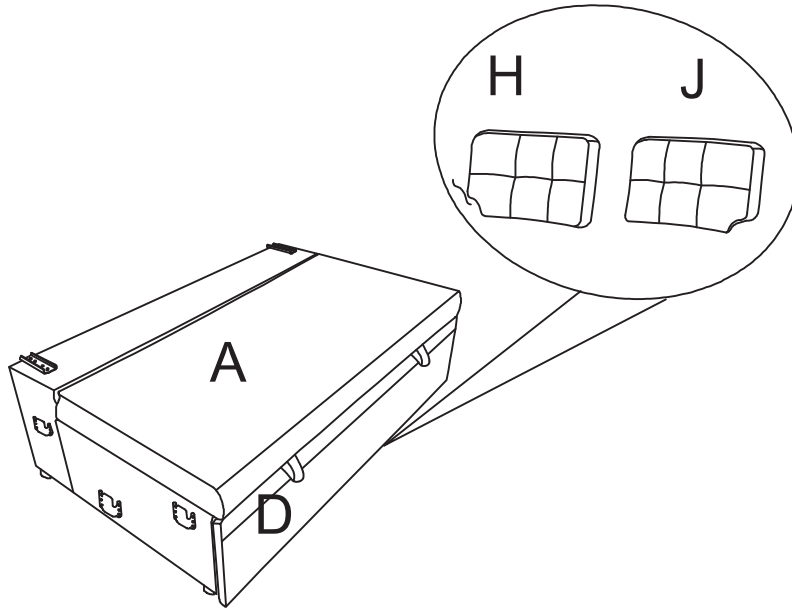
PARTS LIST

 <p>A X1</p>	 <p>B X1</p>	 <p>C X1</p>	 <p>D X1</p>	 <p>E X1</p>	 <p>F X1</p>
 <p>G X1</p>	 <p>H X1</p>	 <p>I X1</p>	 <p>J X1</p>		

HARDWARE LIST

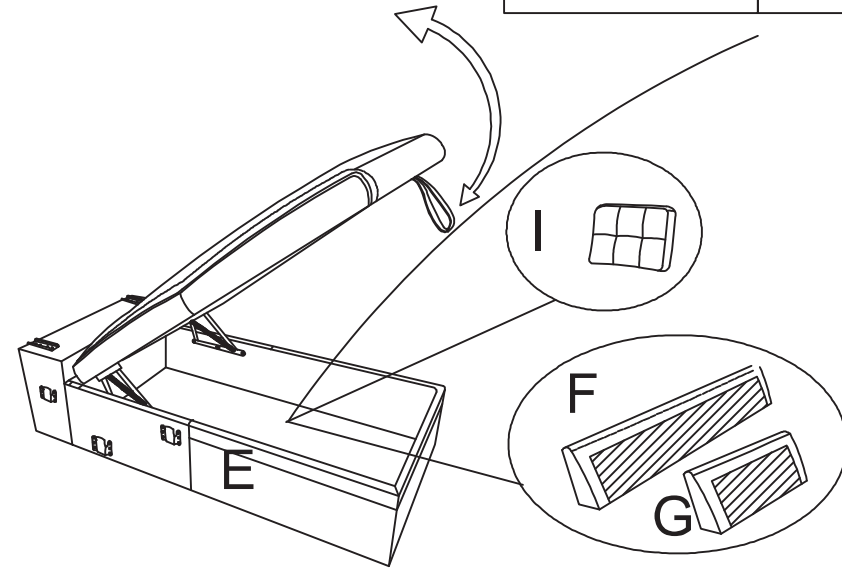
 <p>Ø45*50mm</p> <p>1 X6</p>	 <p>2 X6</p>	 <p>50mmH</p> <p>3 X4</p>	 <p>4 X6</p>	 <p>5 X8</p>	 <p>6 X1</p>	 <p>40mmH parts have been assembled</p> <p>7 X2</p>	 <p>8 X4</p>	 <p>9 X6</p>
--	--	---	--	--	--	---	--	--

BOX -L HARDWARE LIST

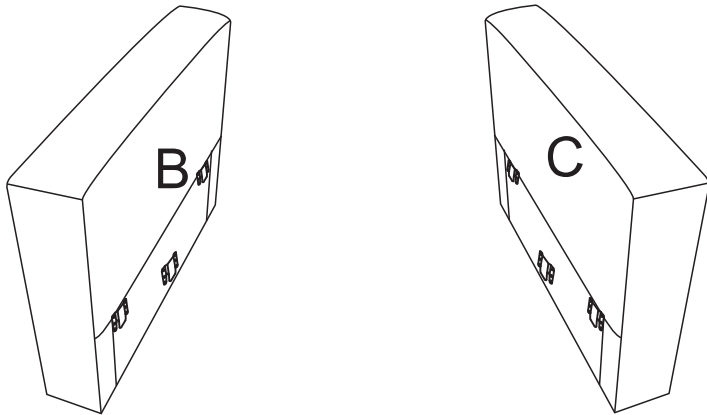


BOX -C HARDWARE LIST

①		X6	⑤		X8
②		X6	⑥		X1
③		X4	⑧		X4
④		X6	⑨		X6



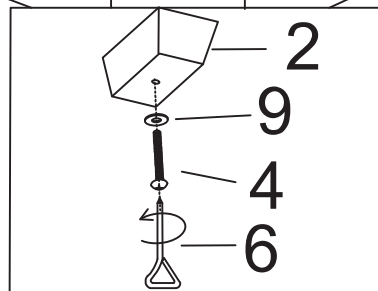
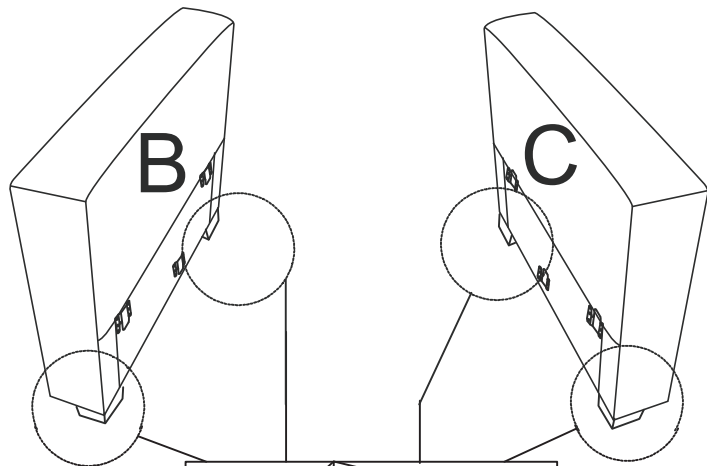
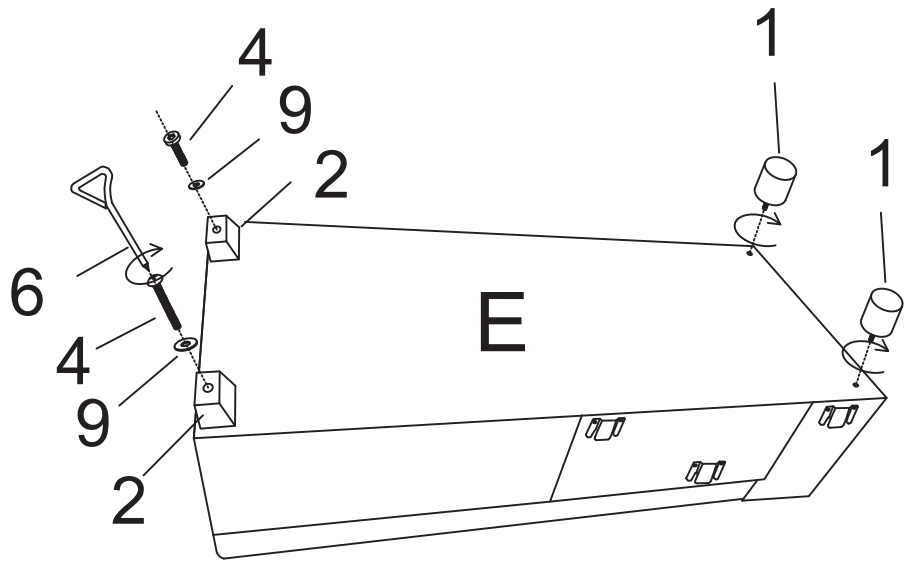
BOX -A HARDWARE LIST



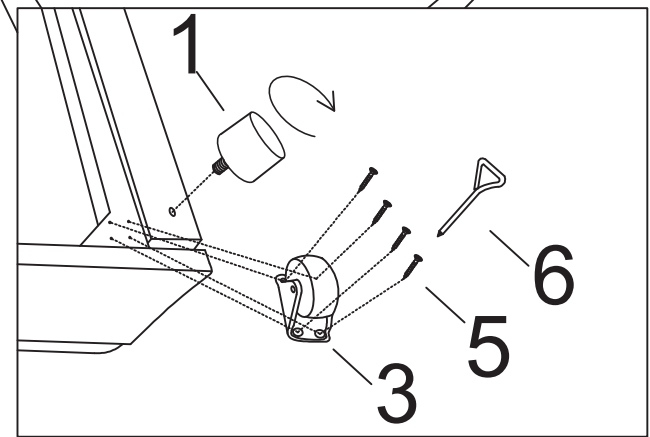
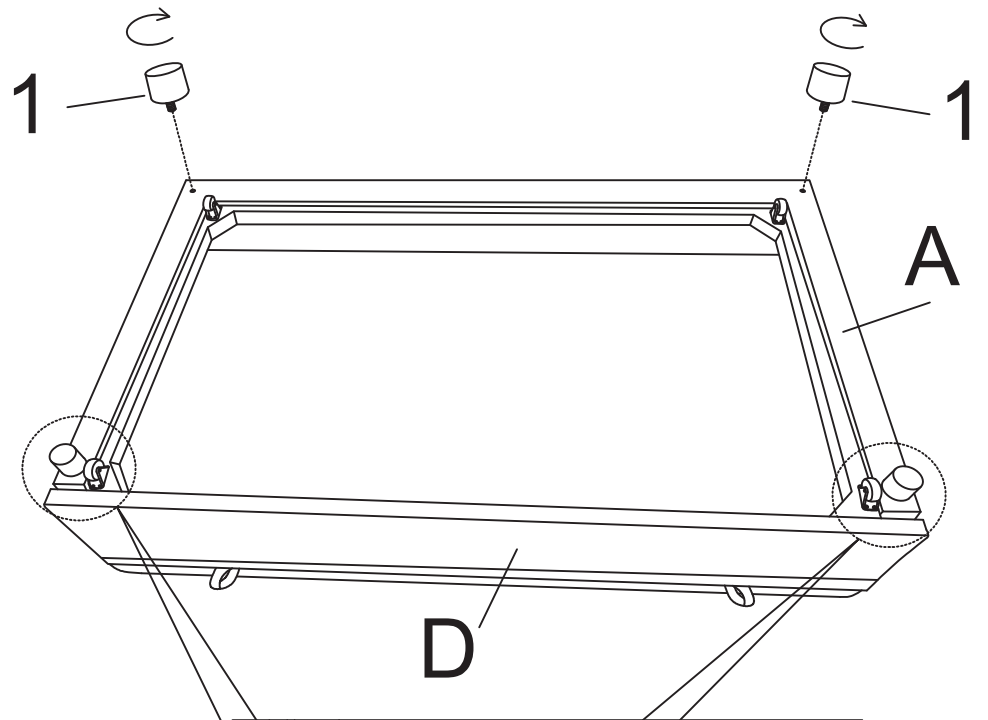
Unpacking steps:

1. BOX-C
2. BOX-L
3. BOX-A

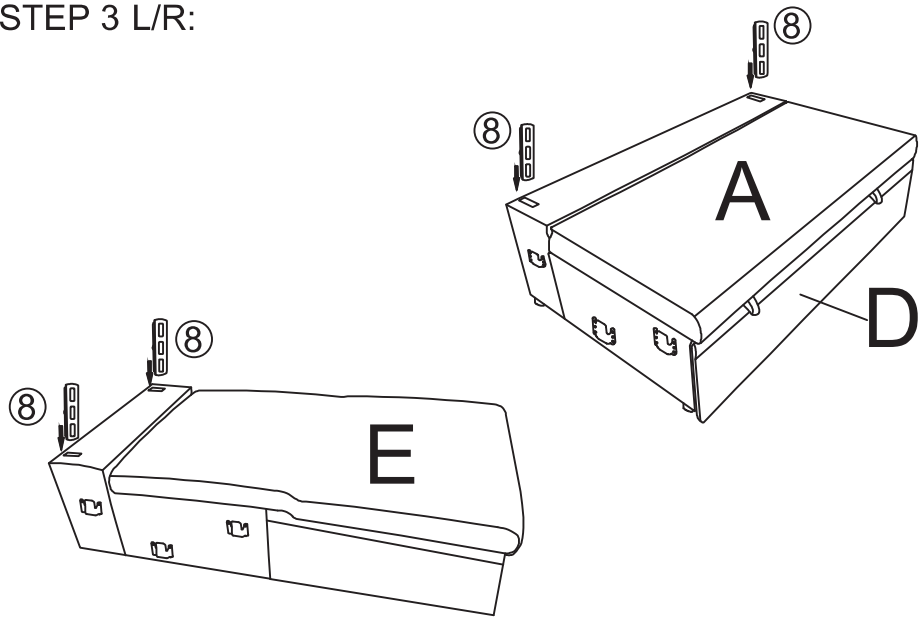
STEP 1-L/R:



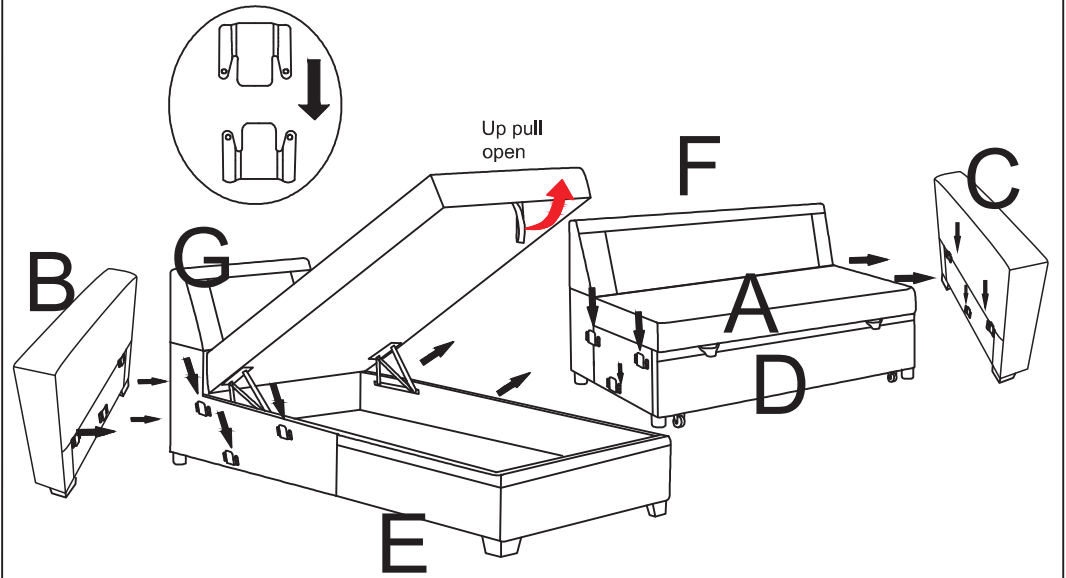
STEP 2-L/R:



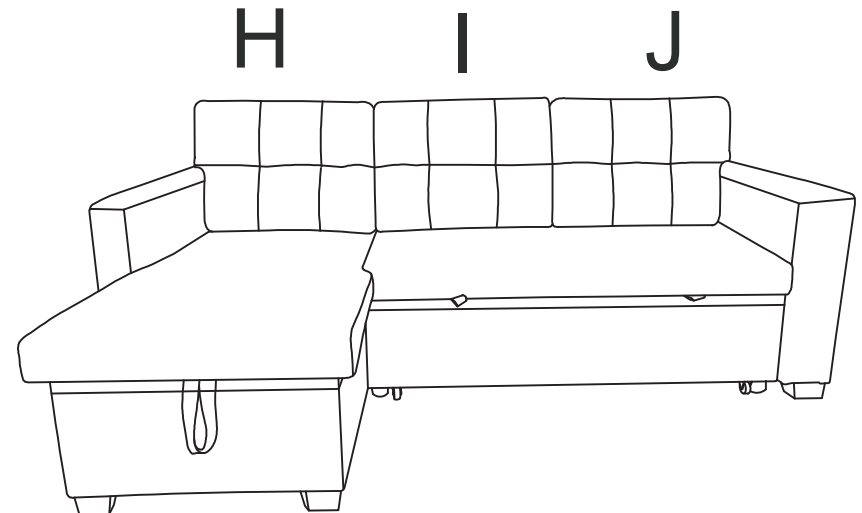
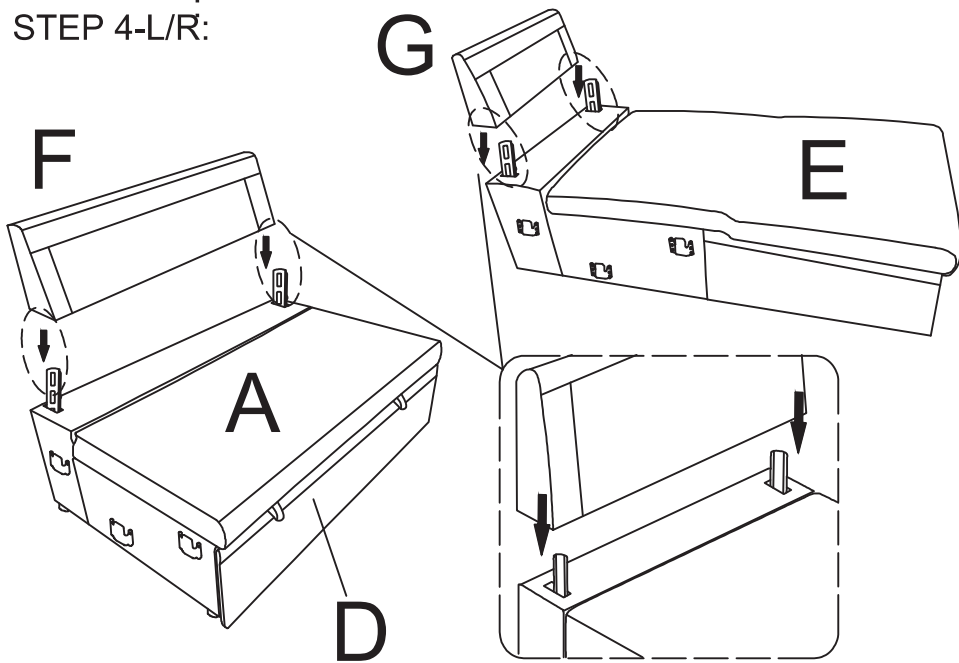
STEP 3 L/R:



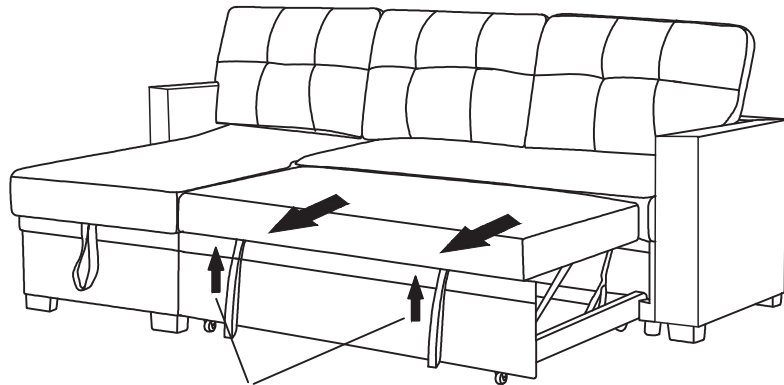
STEP 5-L:



STEP 4-L/R:

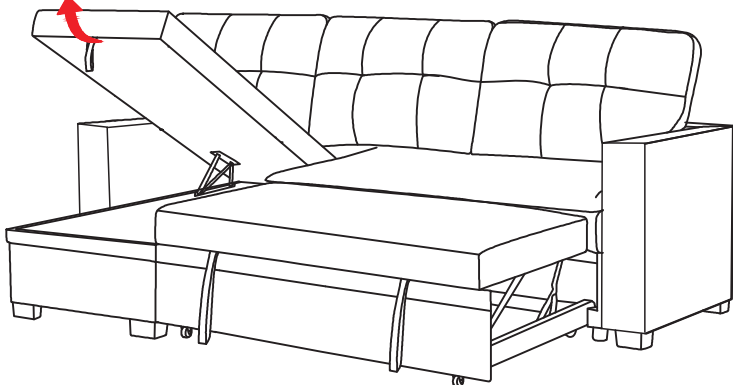


STEP 6-L:

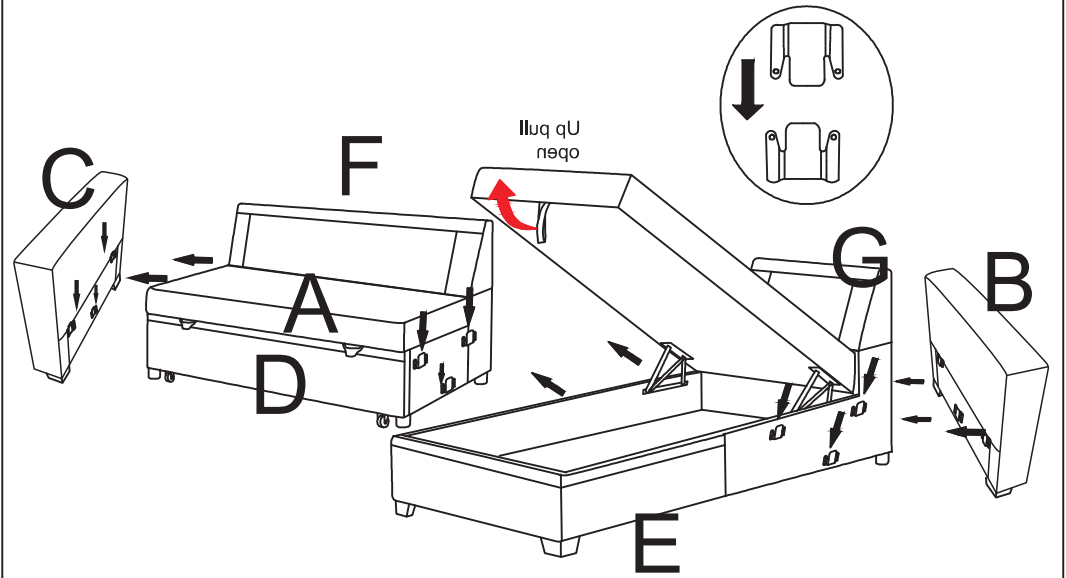


Up pull then
Forward pumping

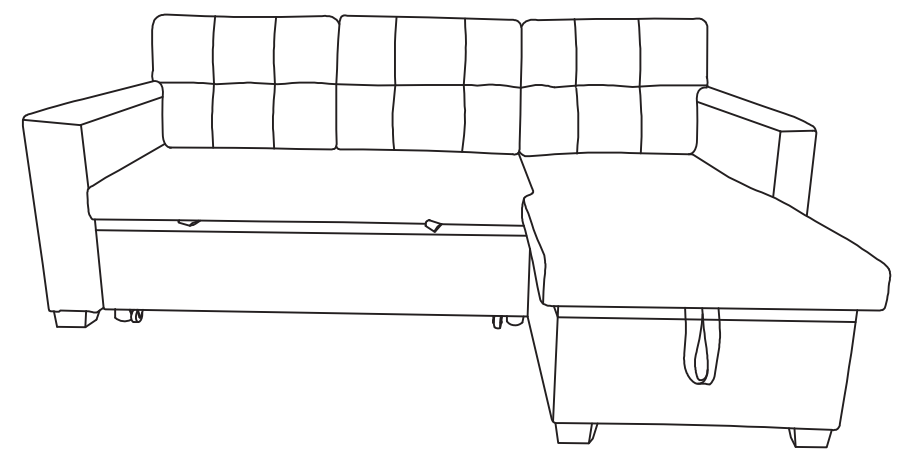
Up pull
open



STEP 5-R:



J I H



STEP 6-R:

