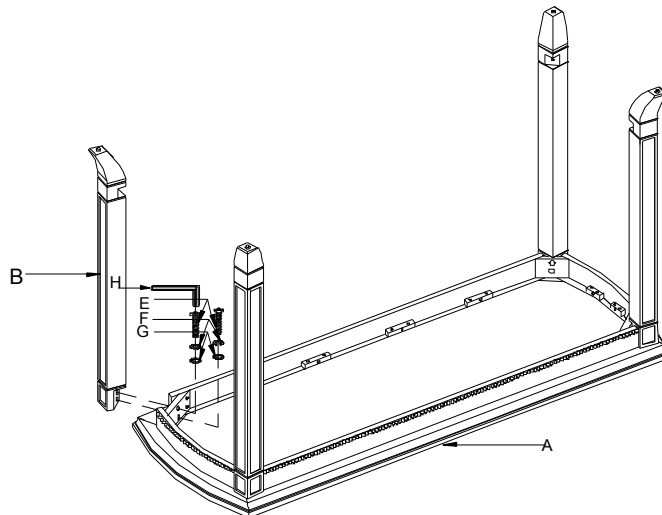


ASSEMBLY INSTRUCTIONS

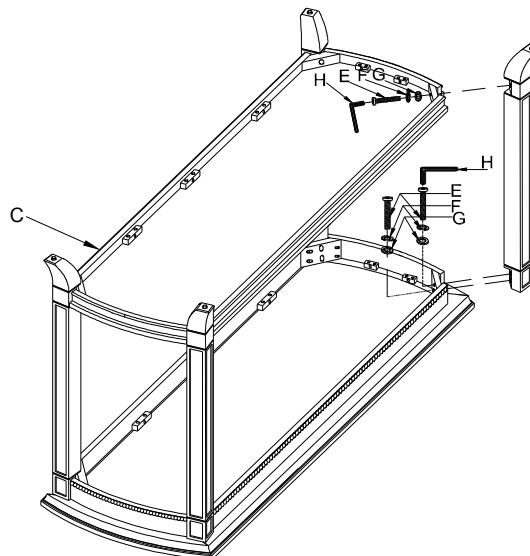
**NOTE: THIS ITEM NOT RECOMMENDED FOR COMMERCIAL USE
KEEP THIS DOCUMENT FOR REFERENCE IN CASE PARTS ARE NEEDED
DO NOT TIGHTEN SCREWS UNTIL COMPLETELY ASSEMBLED!!**

No	DESCRIPTION		Q' TY
A	TABLE TOP	50" X17" X 4-1/4"H	1PC
B	LEG	27-1/4" X2-3/4" X2-3/4"H	4PCS
C	BOTTOM SHELF	46-1/2" X13-1/2" X 46mmH	1PC
D	SIDE DECORATIVE FRAME	17-3/4" X10-1/4" X 1-1/4"H	2PCS
E	BOLT	5/16"X2"	12PCS
F	LOCK WASHER	5/16"	12PCS
G	FLAT WASHER	5/16" *19mm	12PCS
H	ALLEN WRENCH	5MM	1PC
I	SCREW	3mm X7.5mm X 12mm	4PCS

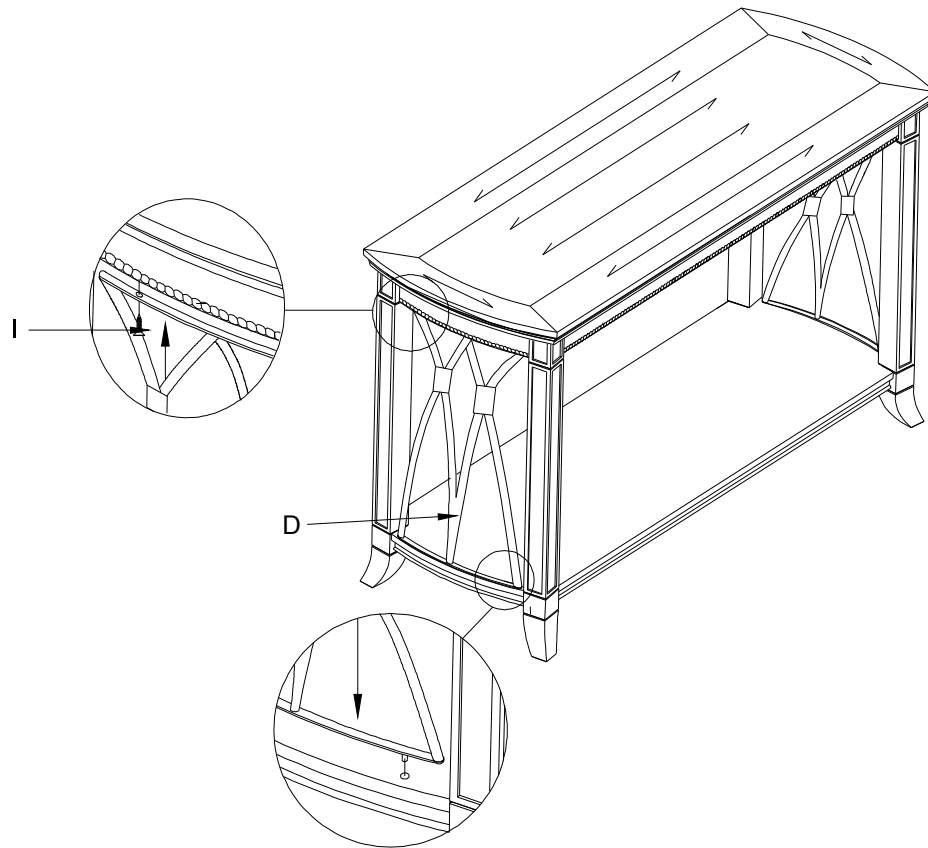
STEP:1



STEP:2



STEP:3



STEP:4

