



**FYG02**

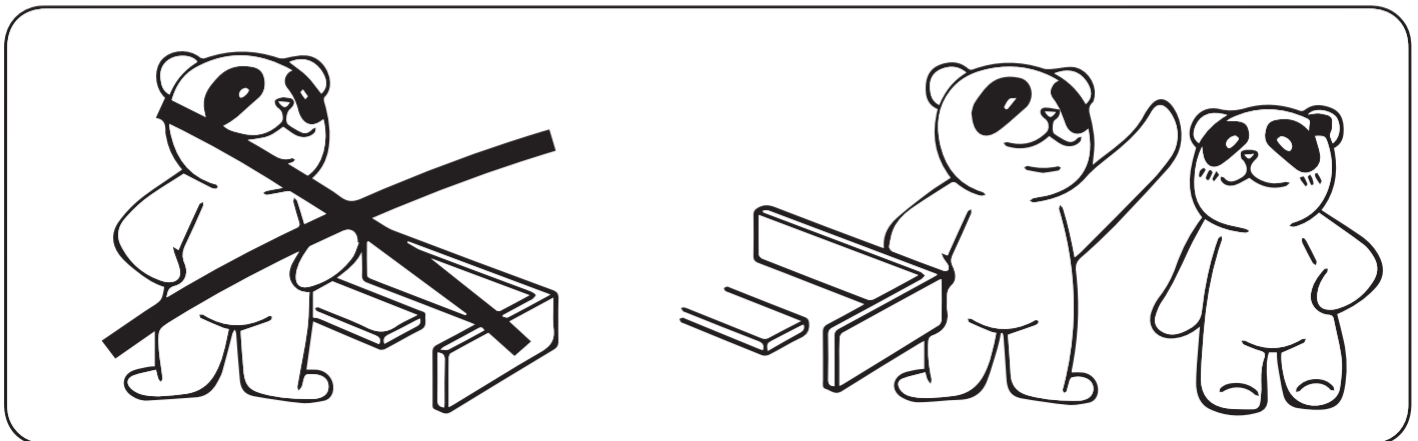
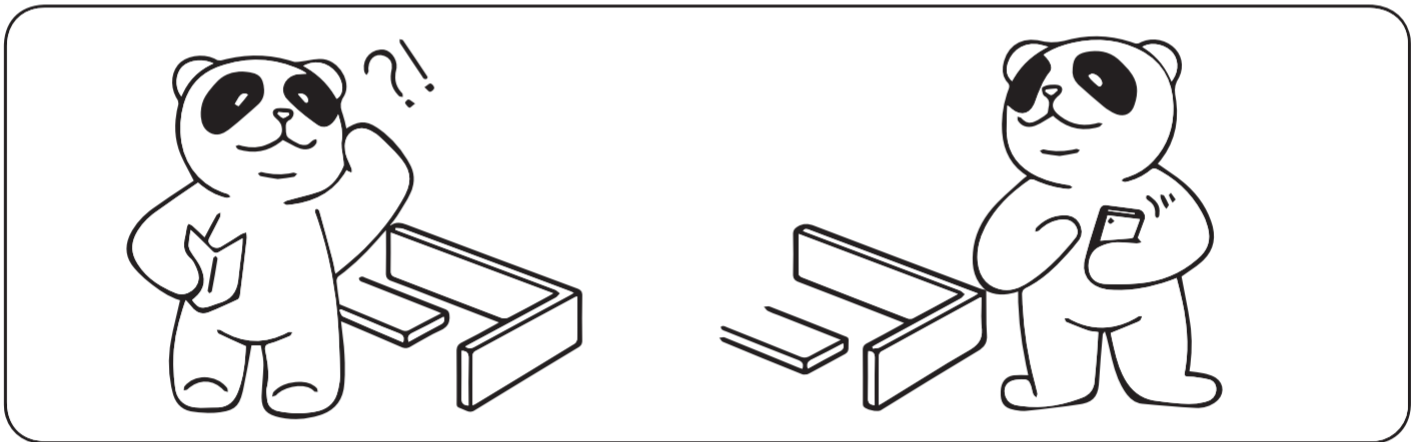
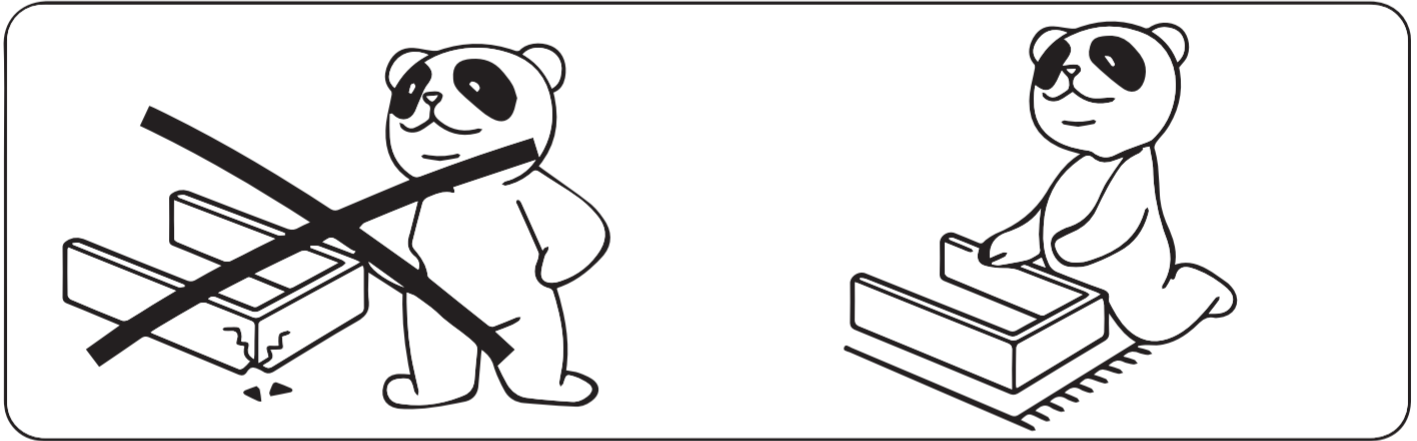
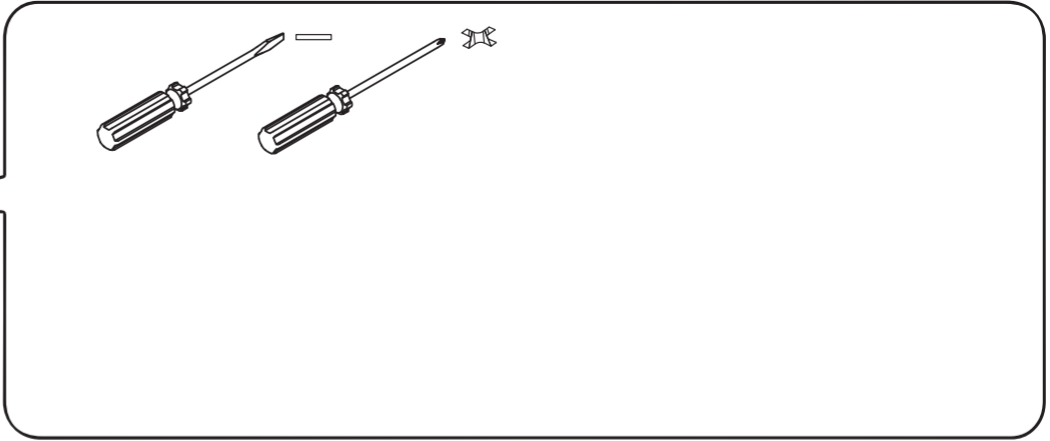
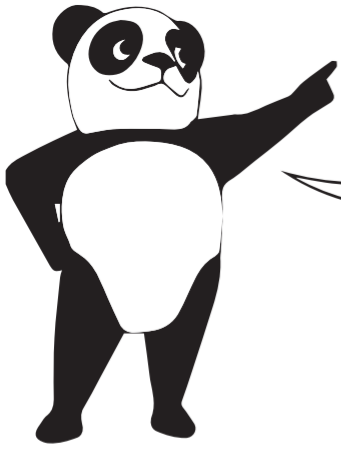
---

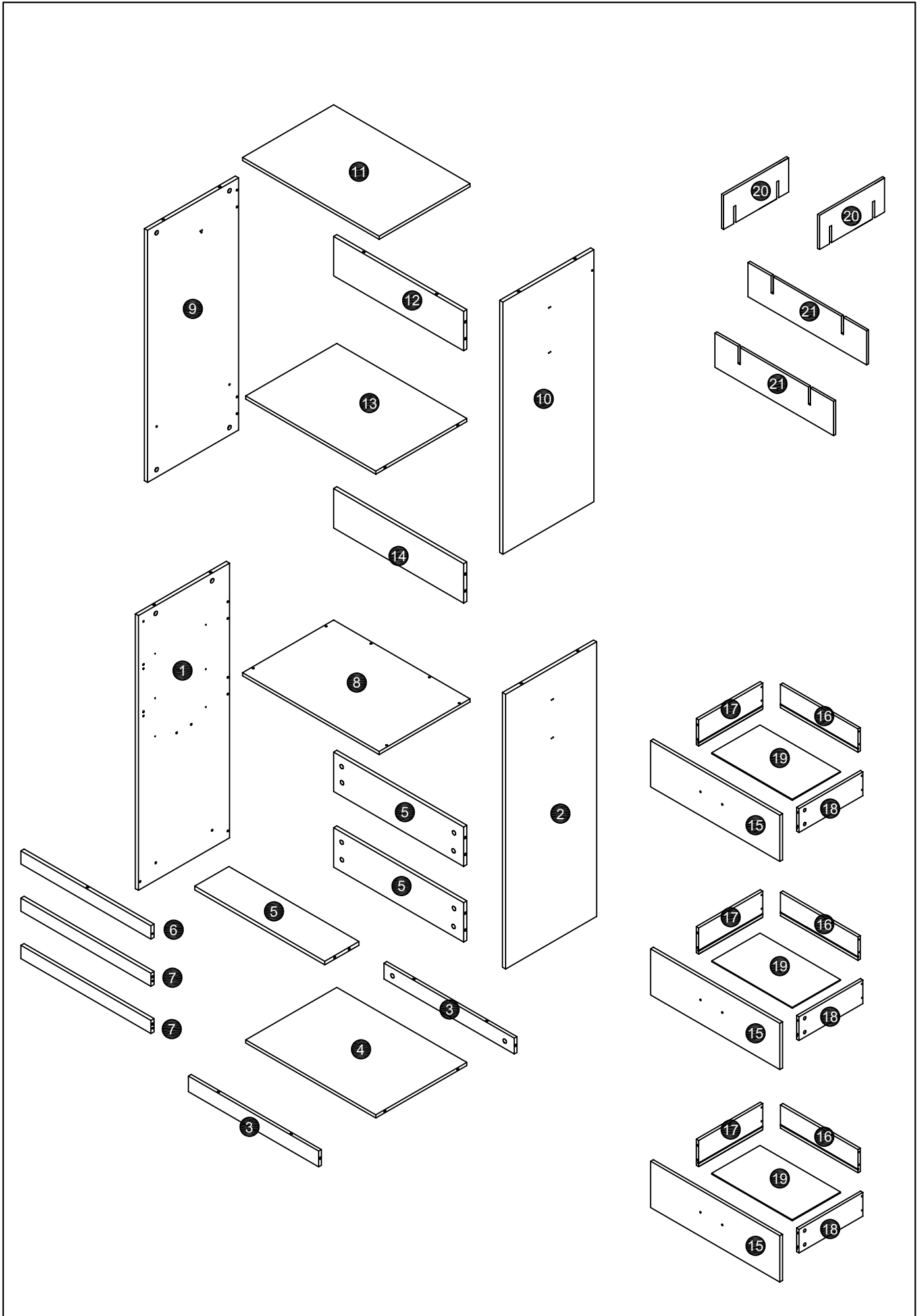
Instruction Manual

---



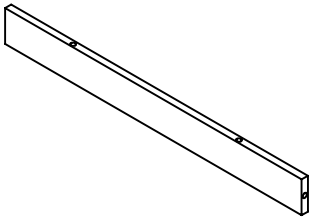
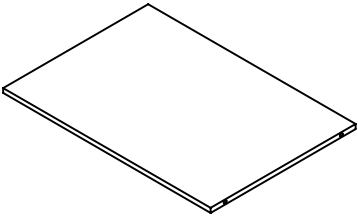
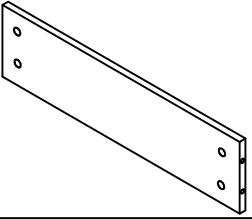
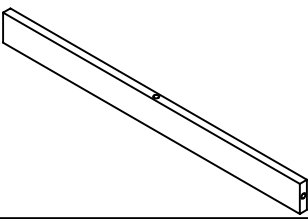
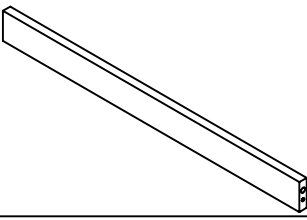
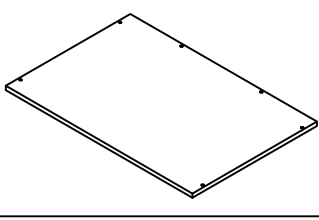


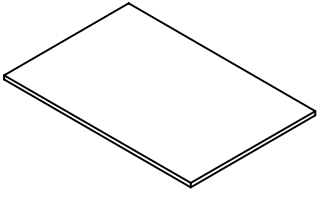
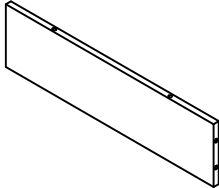
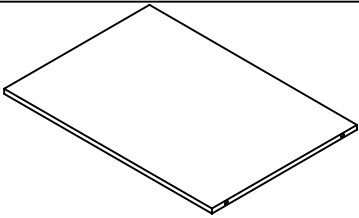
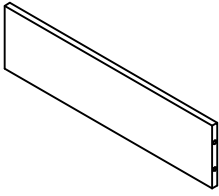
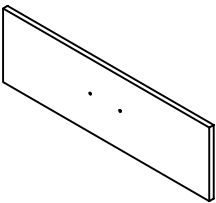
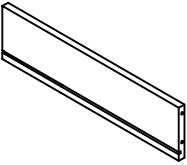
Thanks a lot you support and purchasing .

Please feel tou contact us if you have any questiong with assenbly or need replacement parts.

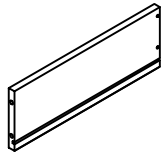
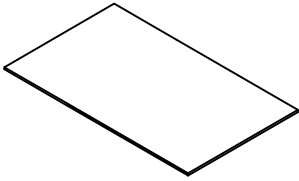
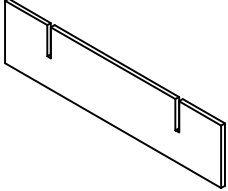


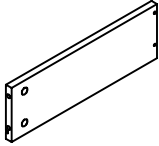
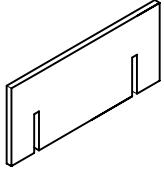


# PARTS LIST

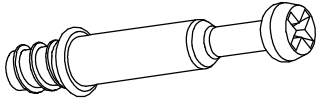

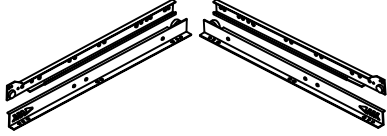


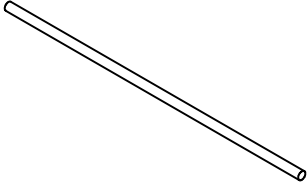
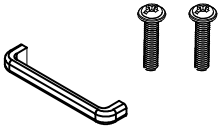
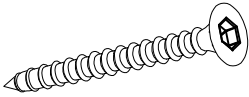

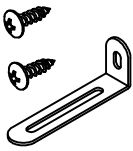
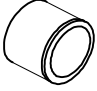
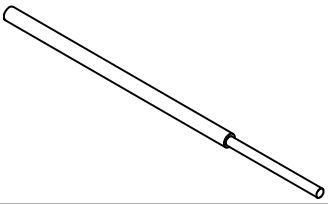

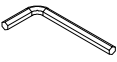
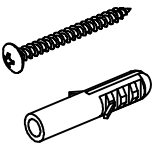
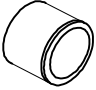
Item no	Reference Image	Qty.	Item no	Reference Image	Qty.
1		x1	2		x1
3		x2	4		x1
5		x3	6		x1
7		x2	8		x1
9		x1	10		x1
11		x1	12		x1
13		x1	14		x1
15		x3	16		x3

# PARTS LIST

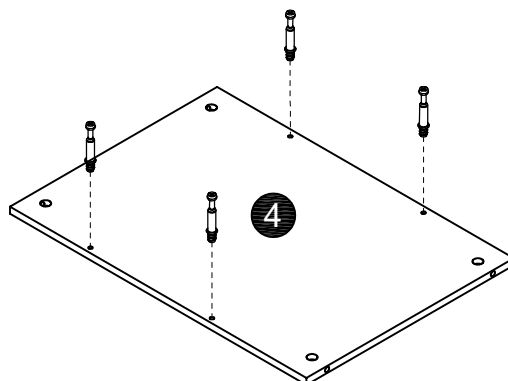
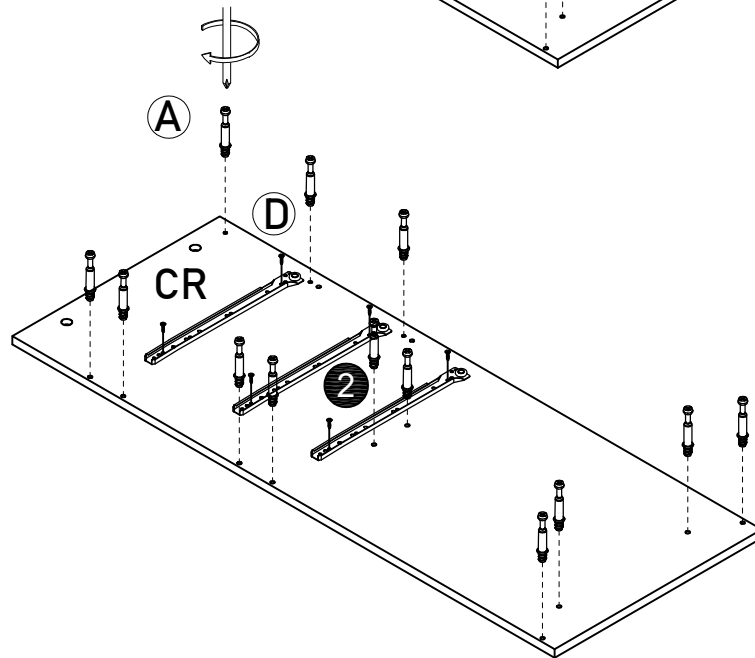
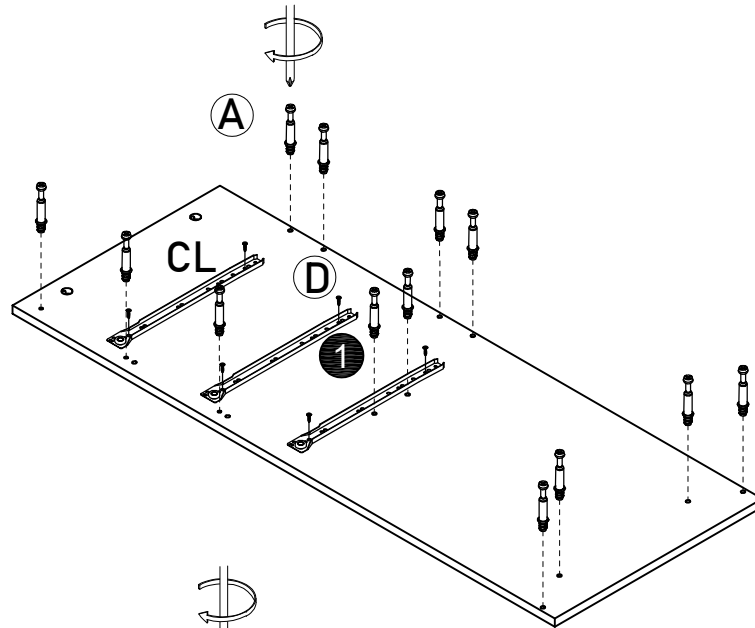
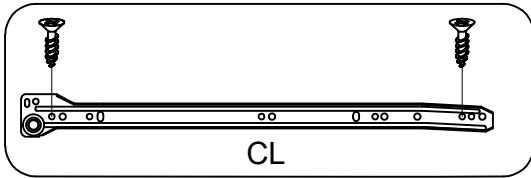
Item no	Reference Image	Qty.
17		x3
19		x3
21		x2





Item no	Reference Image	Qty.
18		x3
20		x2

# HARDWARE LIST

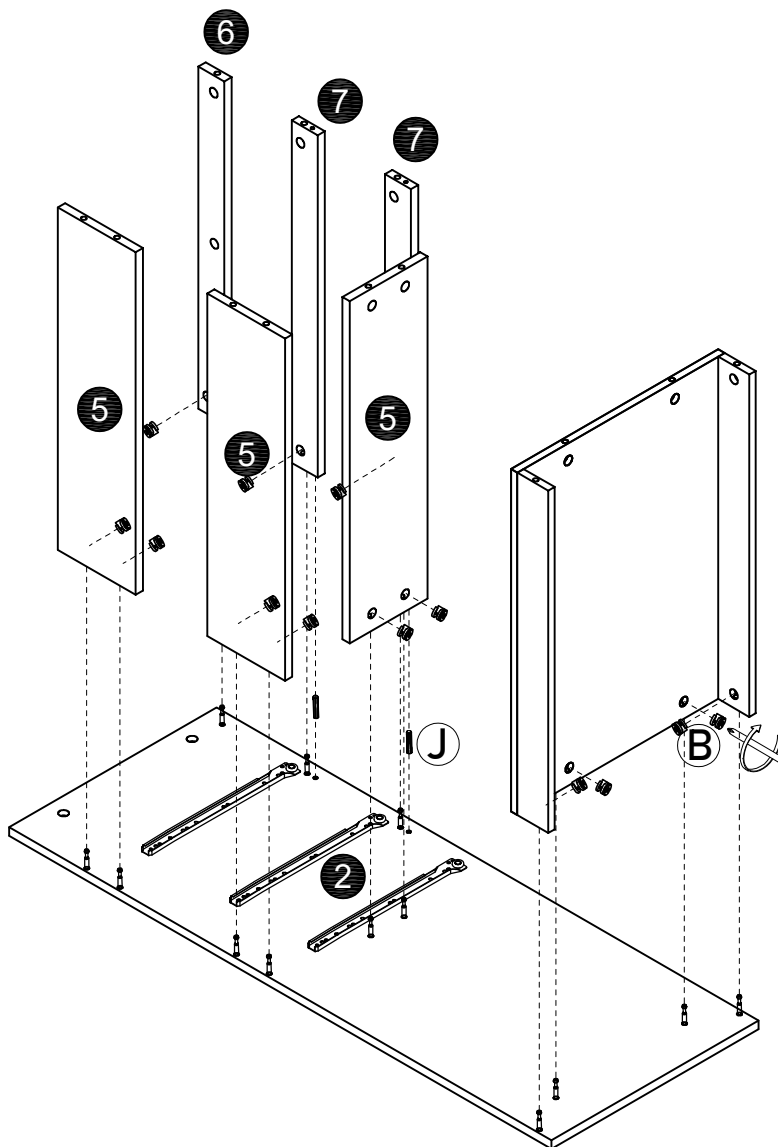
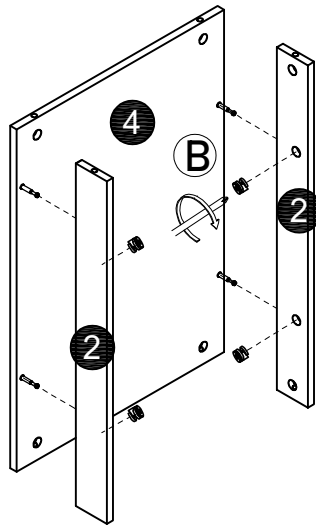
Item no	Reference Image	Qty.	Item no	Reference Image	Qty.
A	 6*35	x67	B	 12*9.5	x67
C		x3	D	 ST3.5*12	x38
E		x2	F		x1
G		x3	H	 M5*40	x16
J	 6*30	x4	K		x2
L		x4	M		x4
N		x10	O		x1
P		x4	Q		x4



1



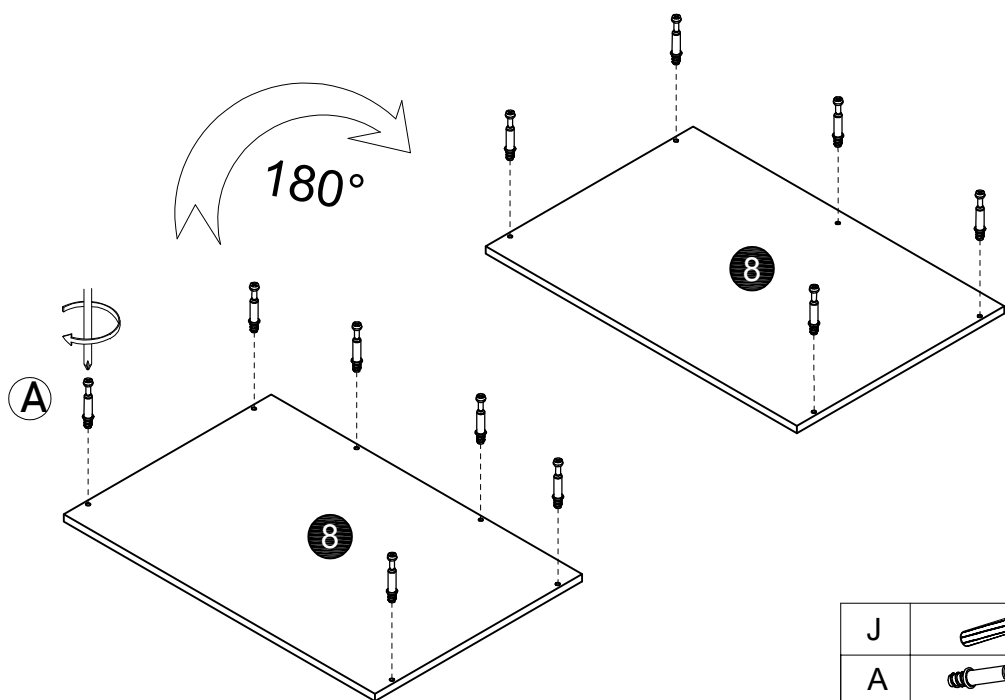
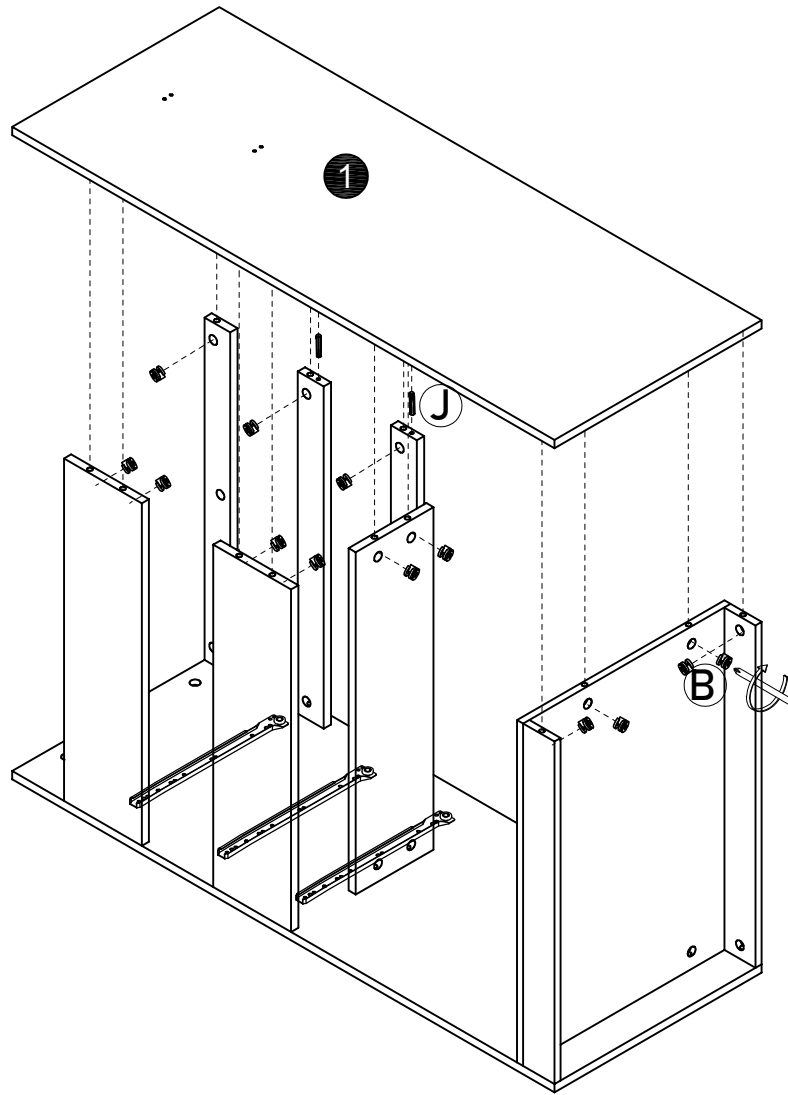
CL		x3
CR		x3
D		x12
A		x30


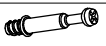

2



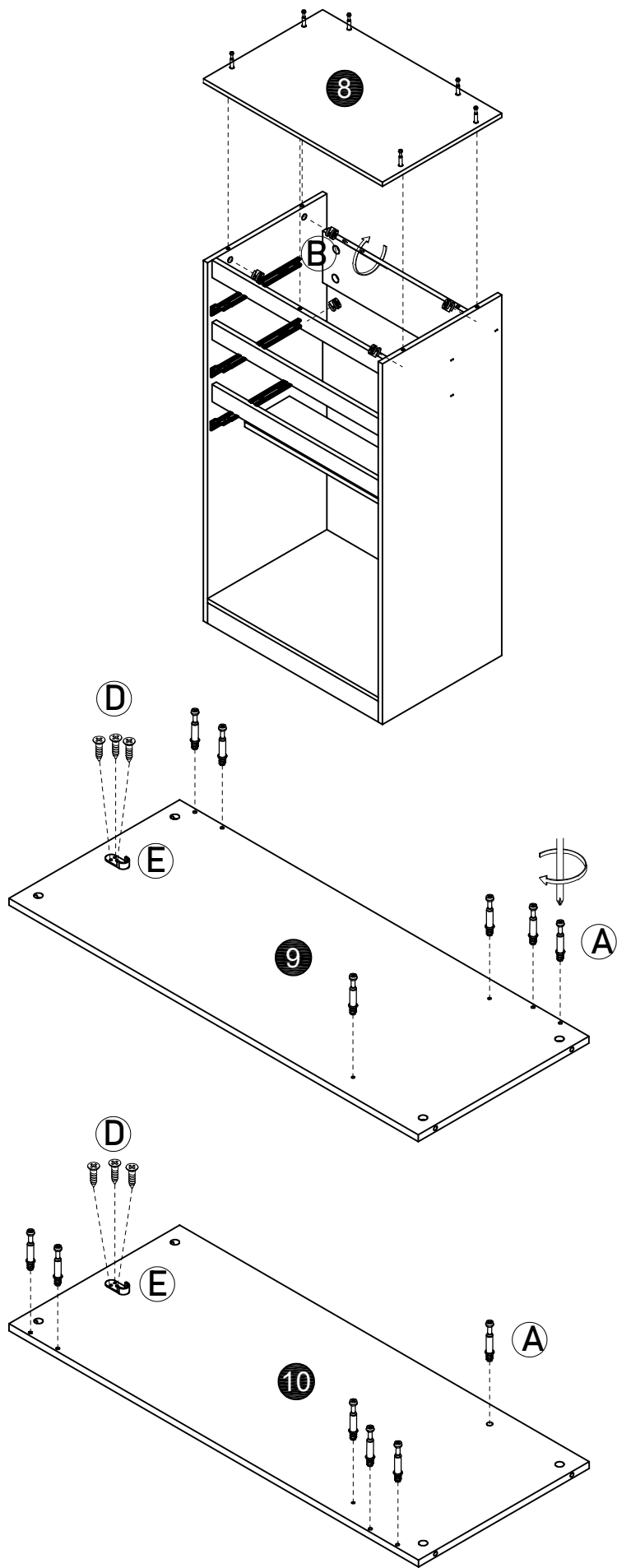
J		x2
B		x17




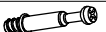
3



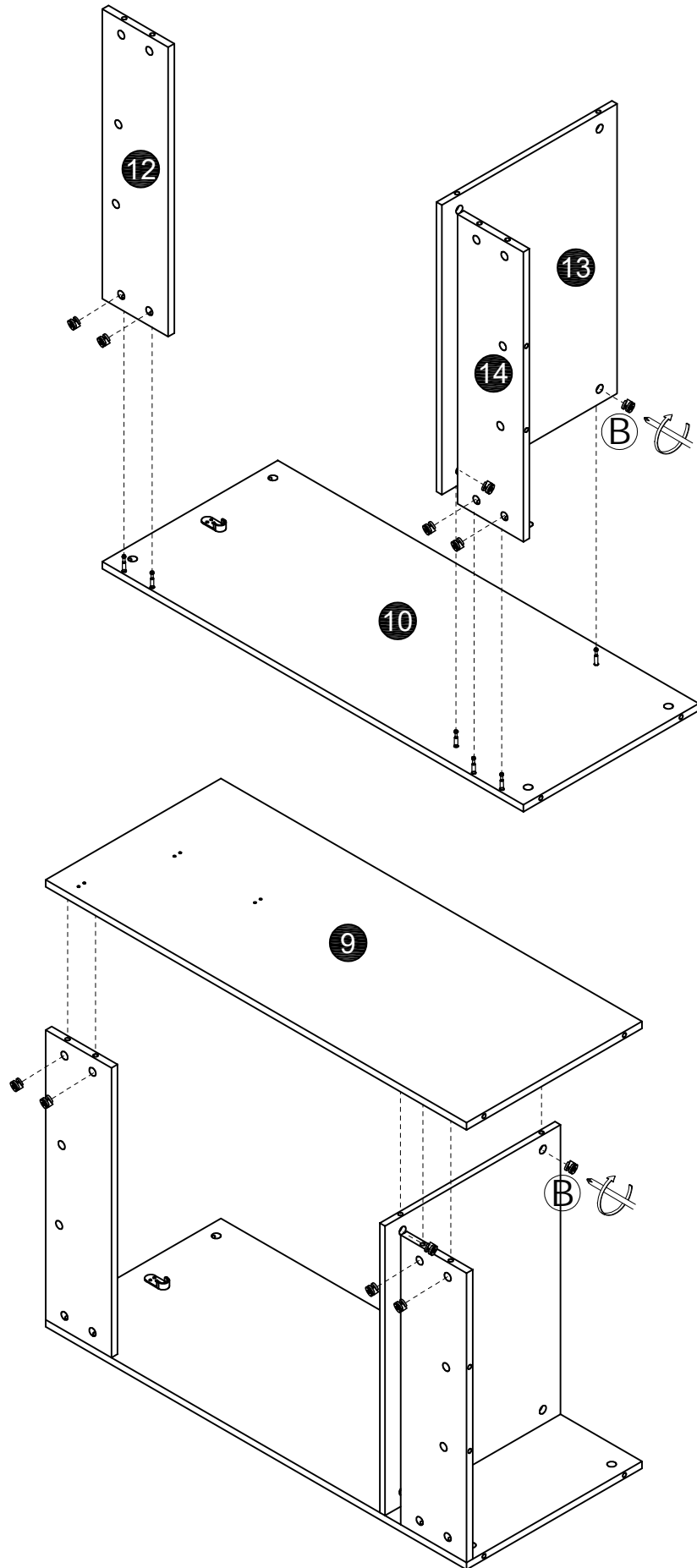
J		x2
A		x11
B		x13

4



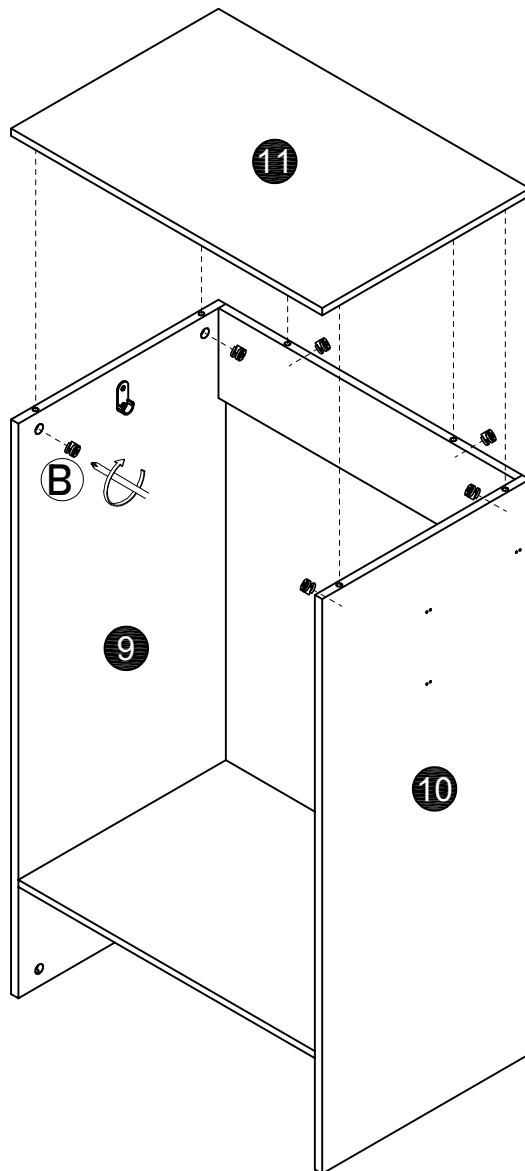
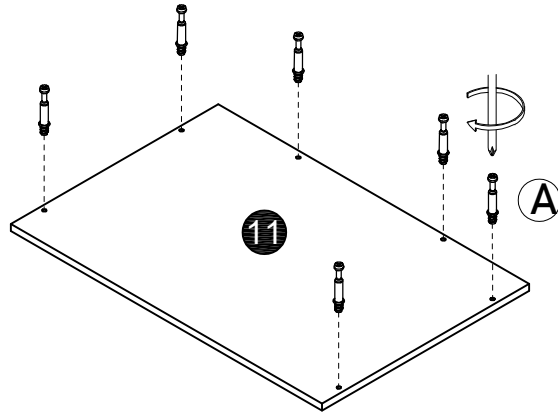
E		x2
D		x6
B		x5
A		x12



5



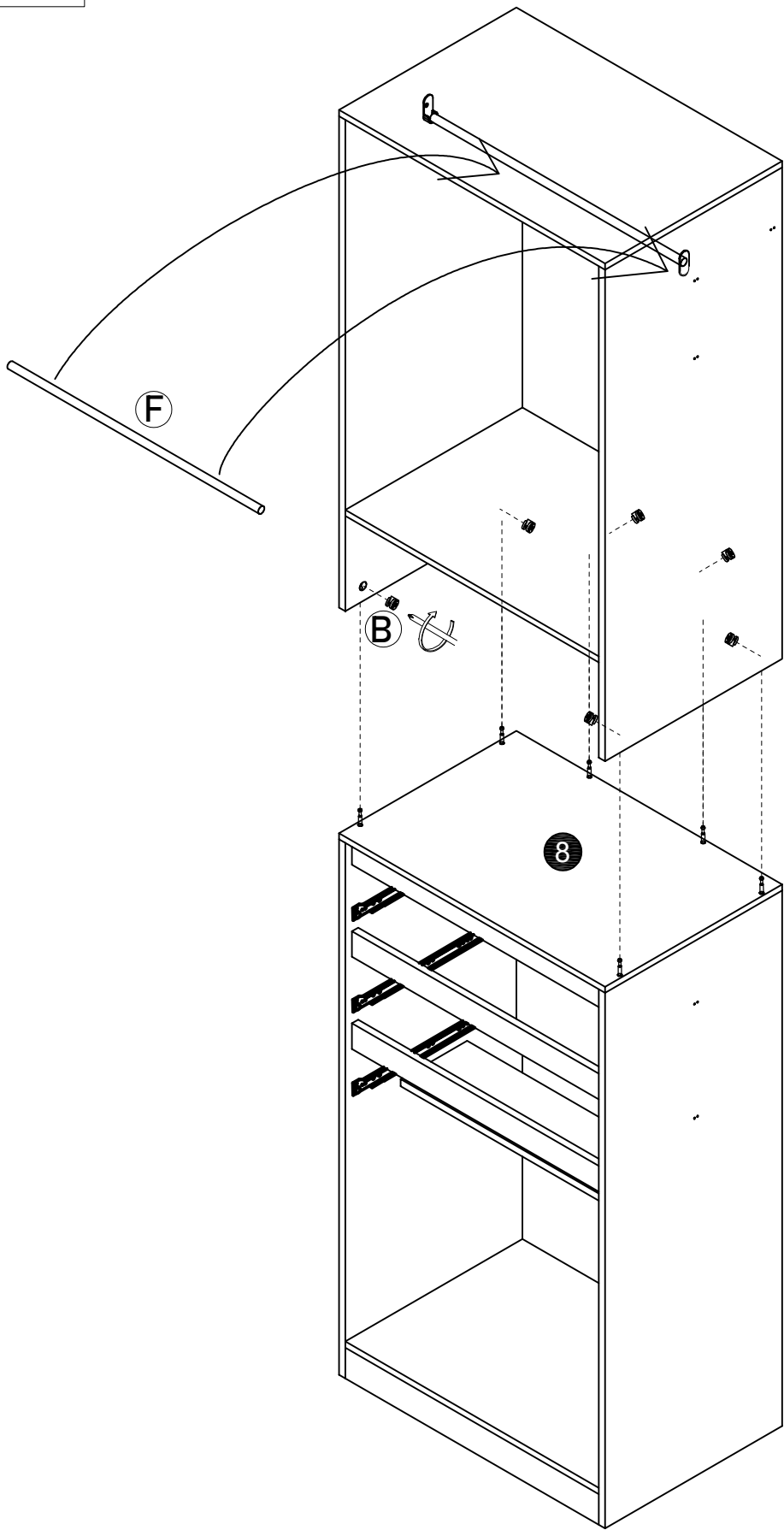
B		x12
---	---	-----



6



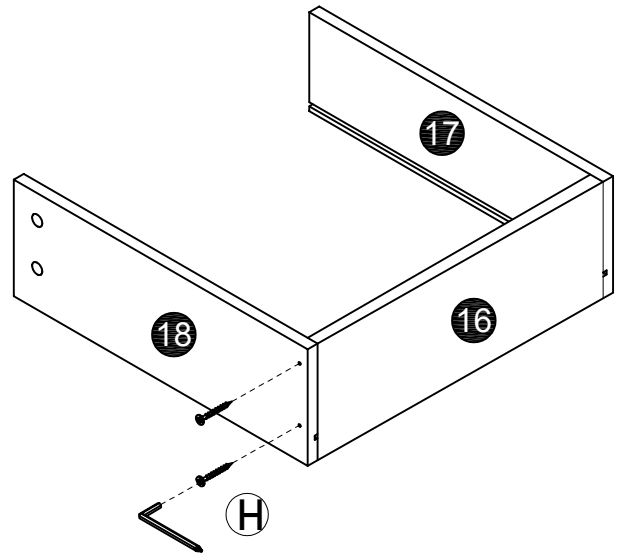
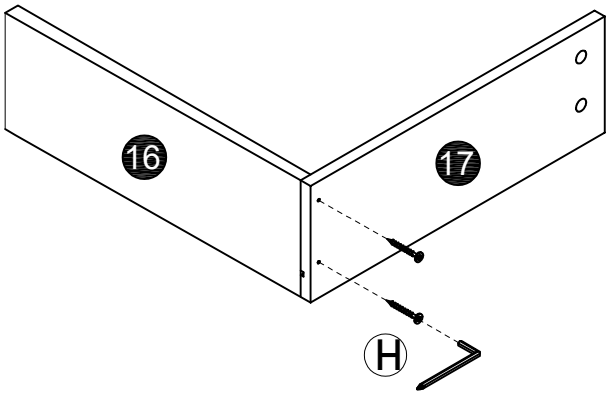
B		x6
A		x6

7

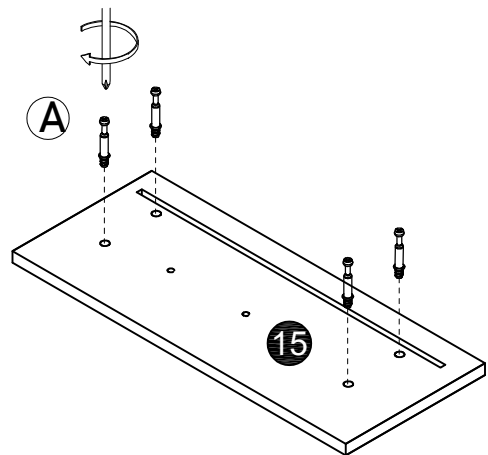
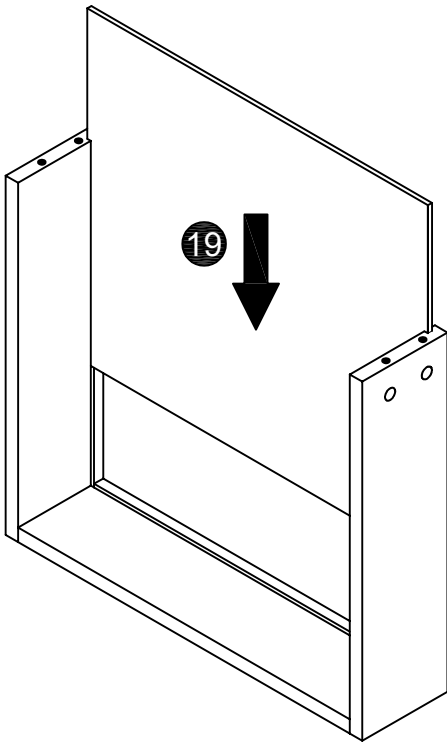




B		x6
F		x1

8

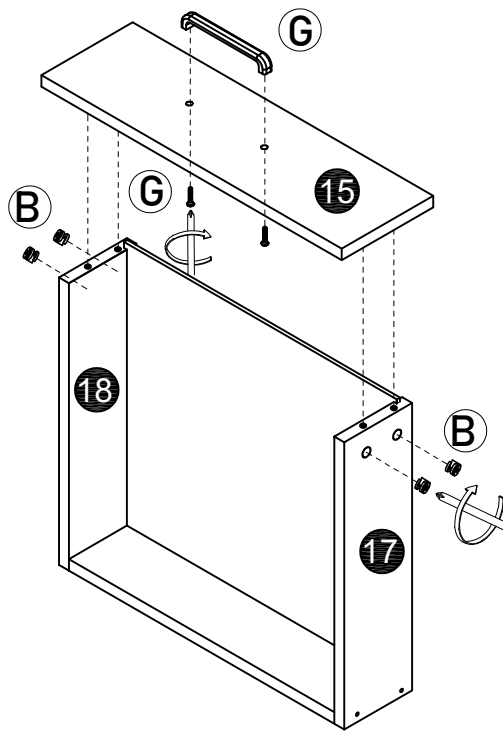


X3





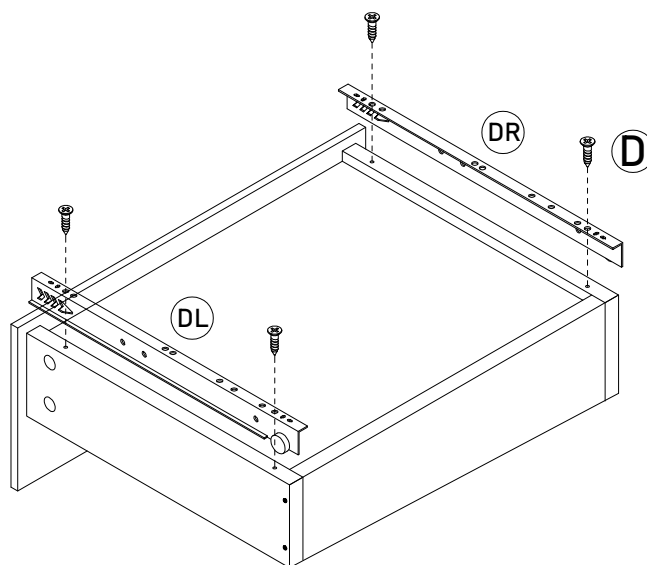
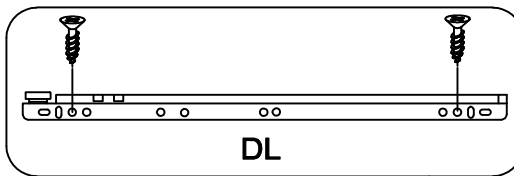
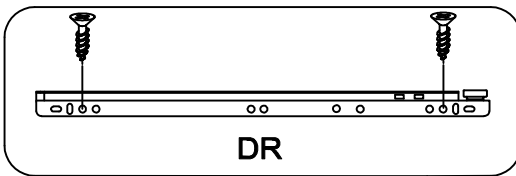
A		x12
H		x12

9






X3

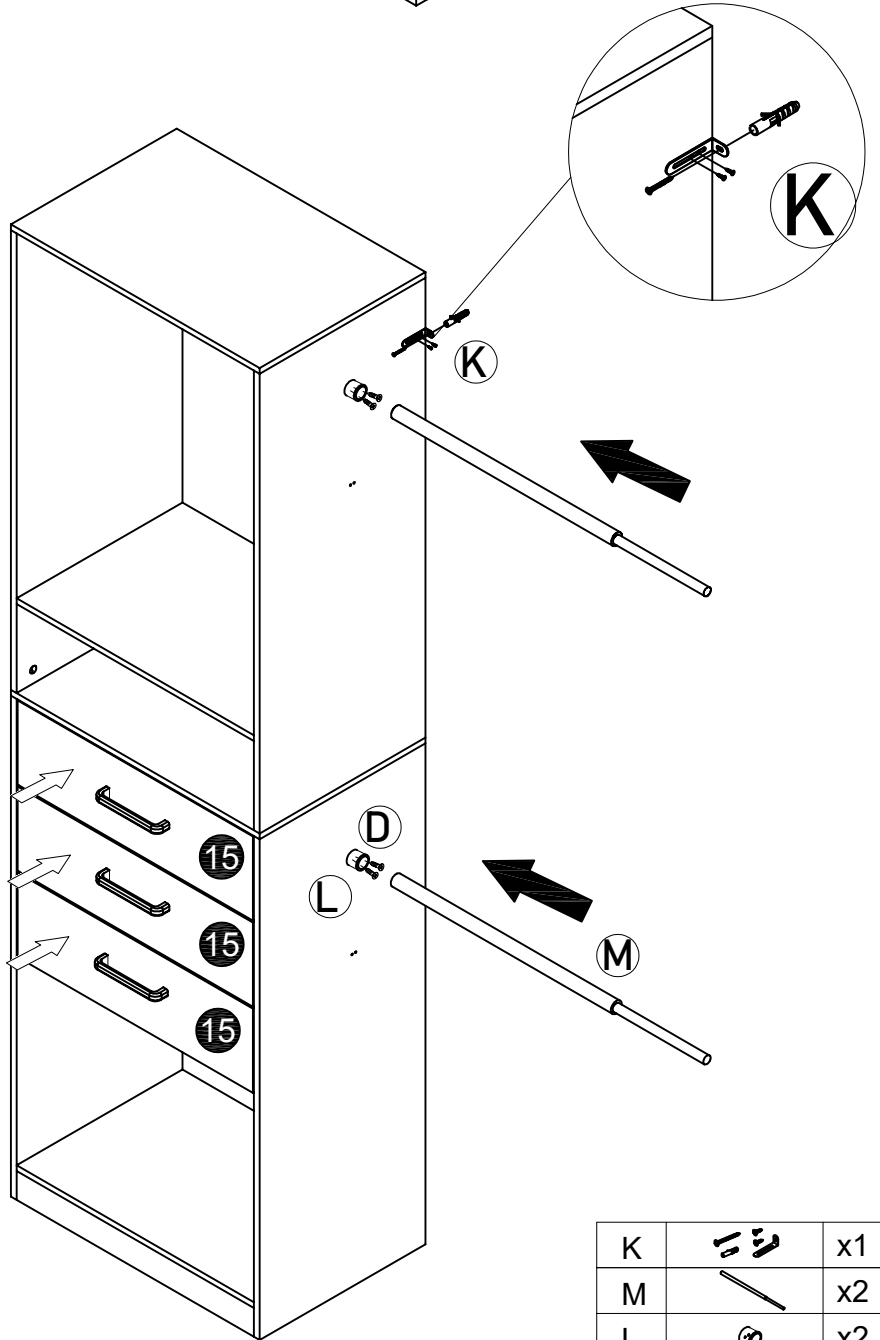
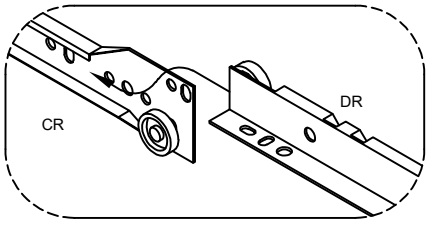
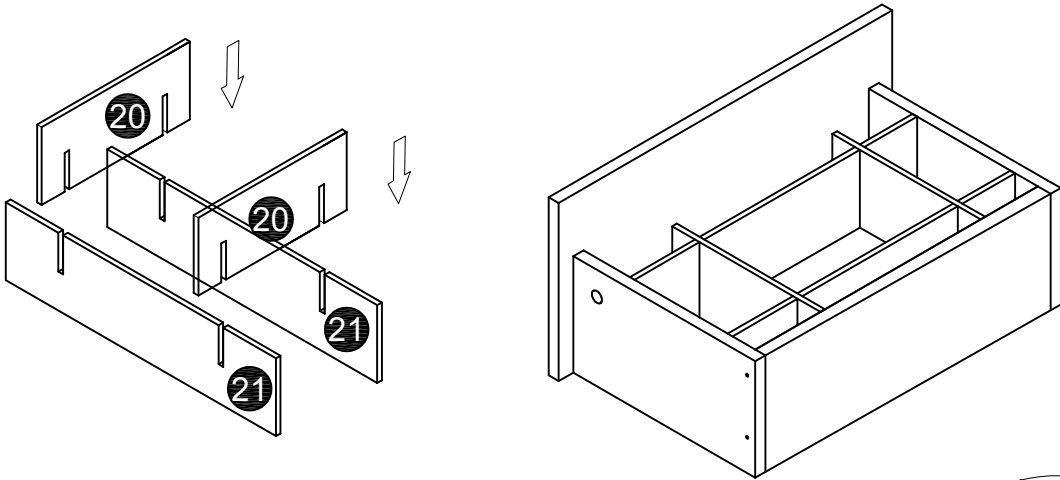
G		x3	B		x12
---	---	----	---	---	-----



X3

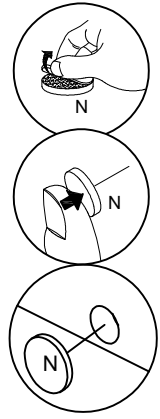
DL		x3
DR		x3
D		x12

10

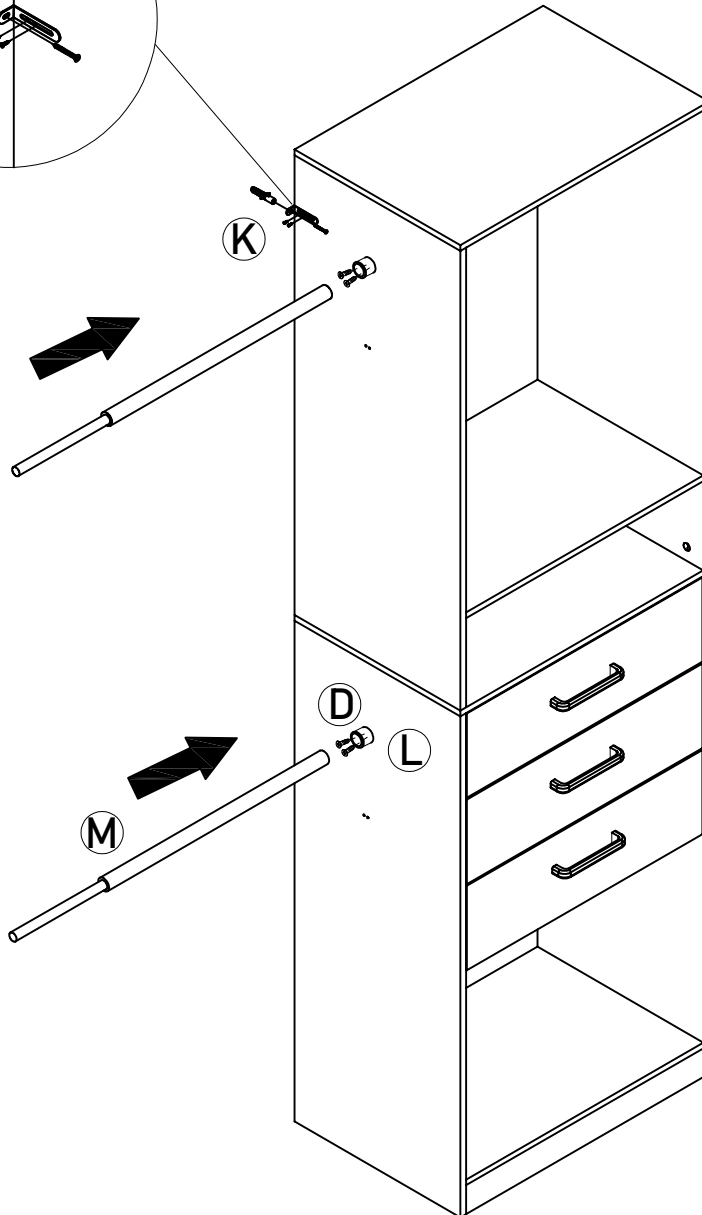
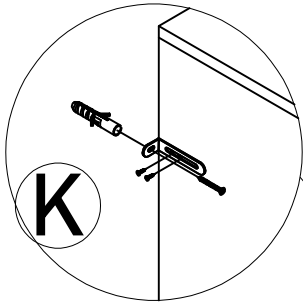


K		x1
M		x2
L		x2
D		x4

11

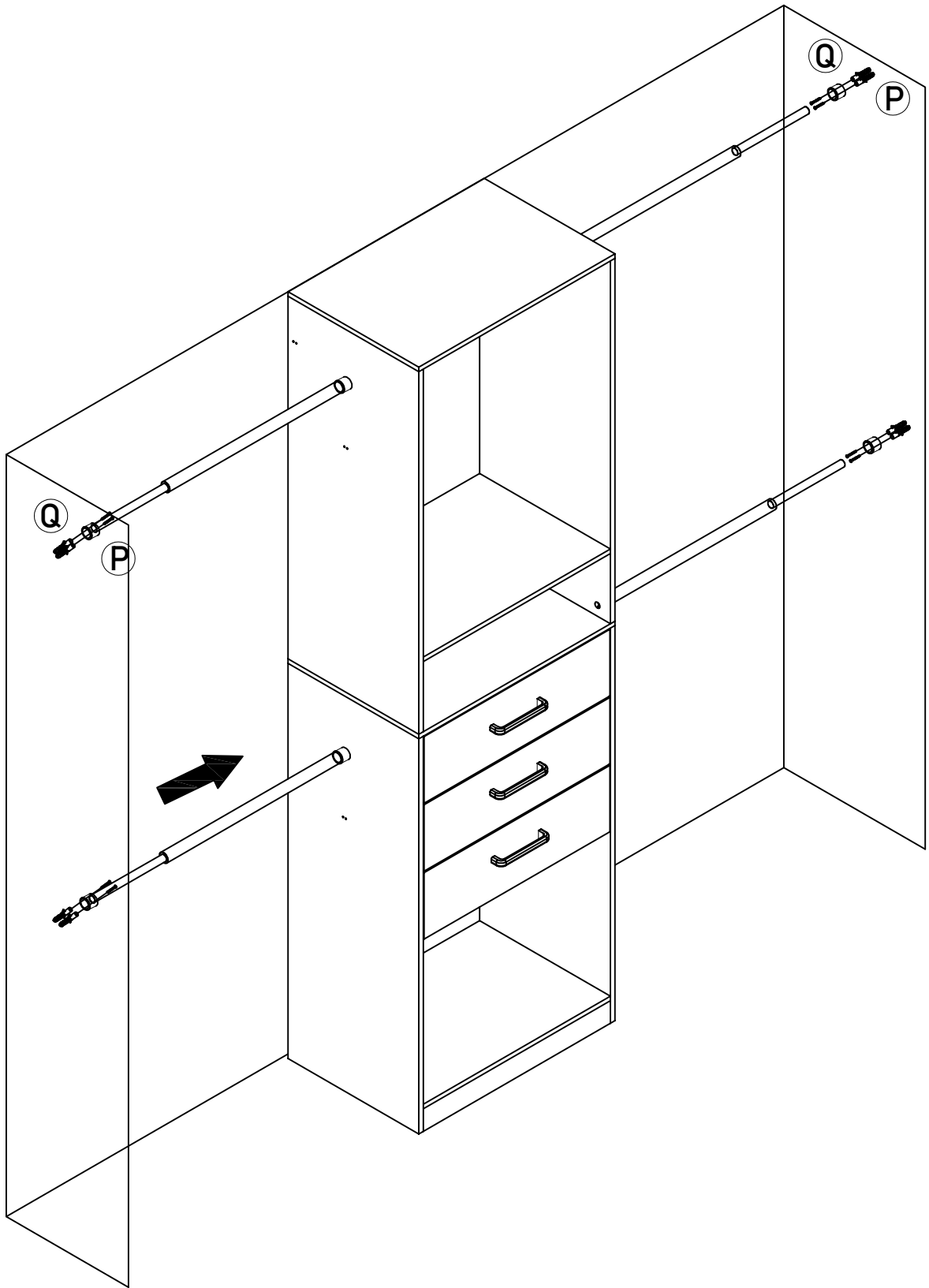


Exposed holes can be attached with stickers **N**



N		x10
K		x1
M		x2
L		x2
D		x4

12



Q		x4
P		x4