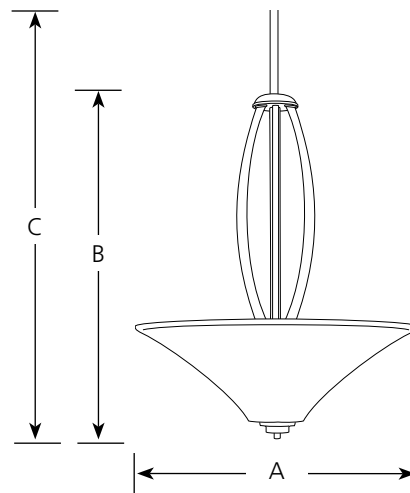


Finish		Lamping	Dimensions (Inches)		
Brushed Nickel	Antique Bronze		A	B	C
		3 (m) 100w	19-1/2	24-3/4	114



Specifications:

General

- Etched bowl , Etched light umber bowl: 19-1/2" dia.
- Plated Brushed Nickel finish
- Painted Antique Bronze finish
- Steel construction
- Two 6" lengths of stem included
- Six feet of 9 gauge chain included
- CompanionBath and Vanity, Chandelier, Hall and Foyer, Pendant, Wall bracket, fixtures are available

Mounting

- Ceiling chain or stem mount
- Canopy covers a standard 4" hexagonal recessed outlet box
- Mounting strap for outlet box included

Electrical

- Medium base ceramic sockets
- 12 feet of wire supplied
- Pre-wired

Labeling

- UL-CUL Dry location listed