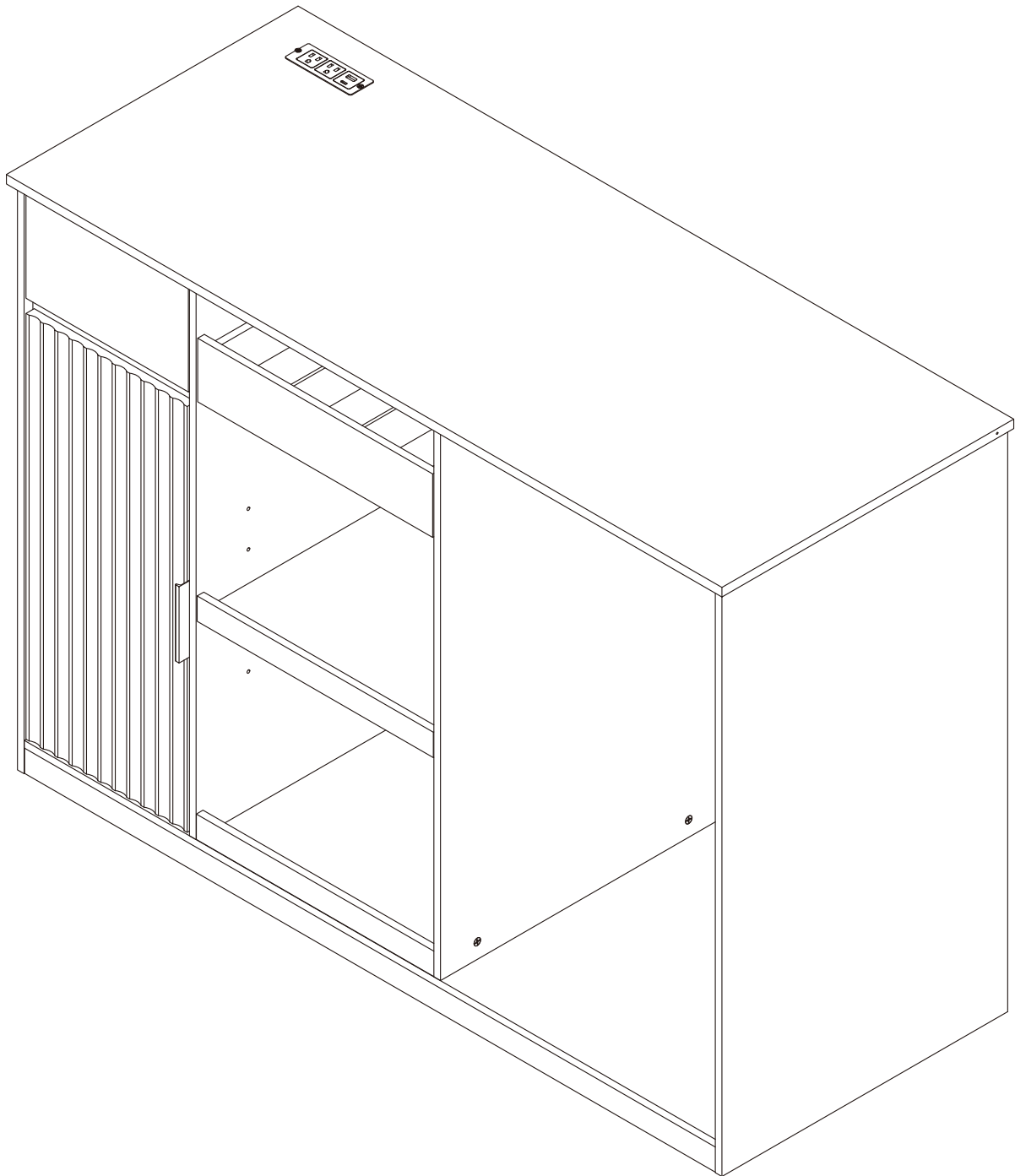
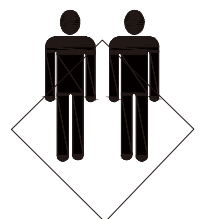


Installation instruction

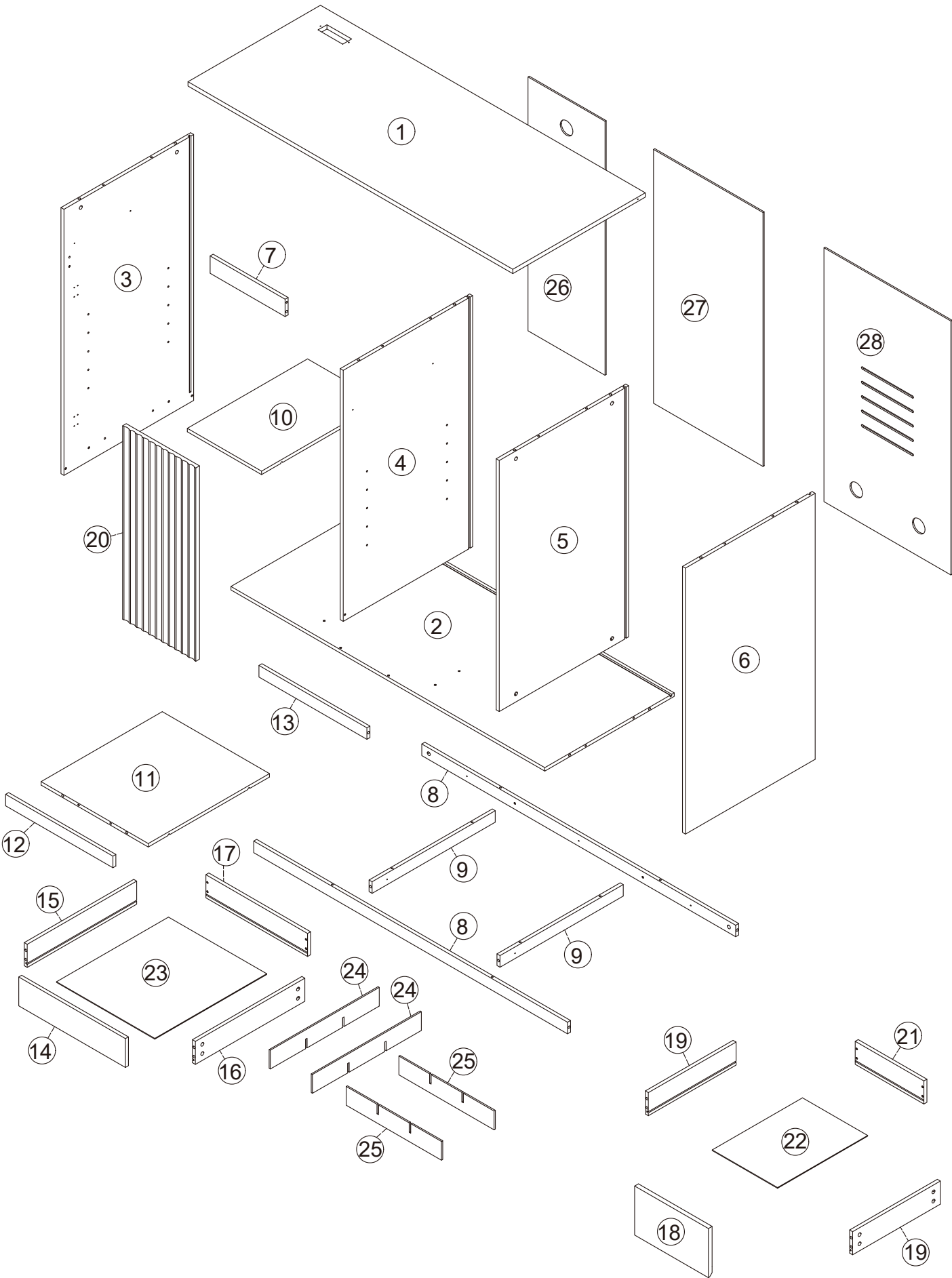


We come with the necessary tools for assembly
but for faster assembly, a power drill is recommended




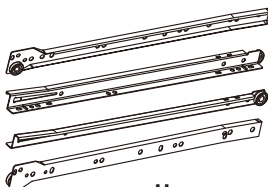



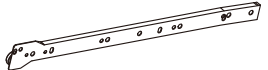
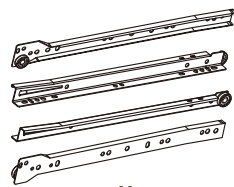



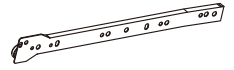
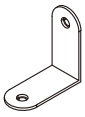


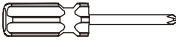




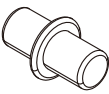
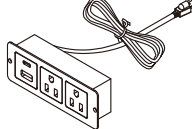



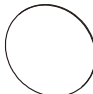


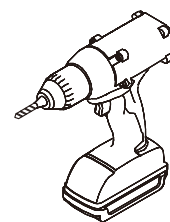
ASSEMBLED BY 2ADULTS

EXPLODED DRAWING:



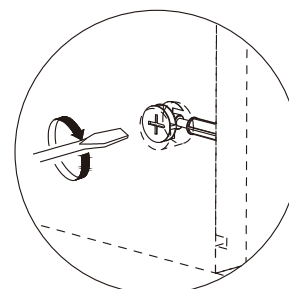
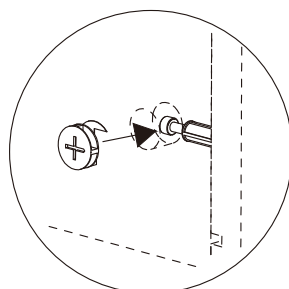
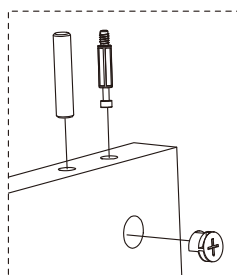
PARTS:

 <p>A X48 Ø6x35</p>	 <p>B X28 M6x30</p>	 <p>C X48 Ø12</p>
 <p>II</p>  <p>CL</p> <p>+</p>  <p>DL</p> <p>+</p>  <p>DR</p> <p>+</p>  <p>CR</p>	 <p>II</p>  <p>CL</p> <p>+</p>  <p>DL</p> <p>+</p>  <p>DR</p> <p>+</p>  <p>CR</p>	 <p>F X10</p>  <p>G X52 M4x11</p>  <p>H X1</p>  <p>I X1</p>
 <p>J1</p>  <p>J2</p>  <p>J3</p>  <p>J4</p> <p>J X2</p>	 <p>K X8</p>	 <p>L X1</p>
  <p>M X12 M4x14</p>	 <p>N X2</p>	 <p>O X40</p>



REMARK:

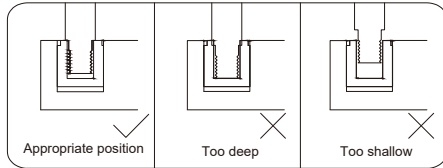
MINIFIX POSITION



1

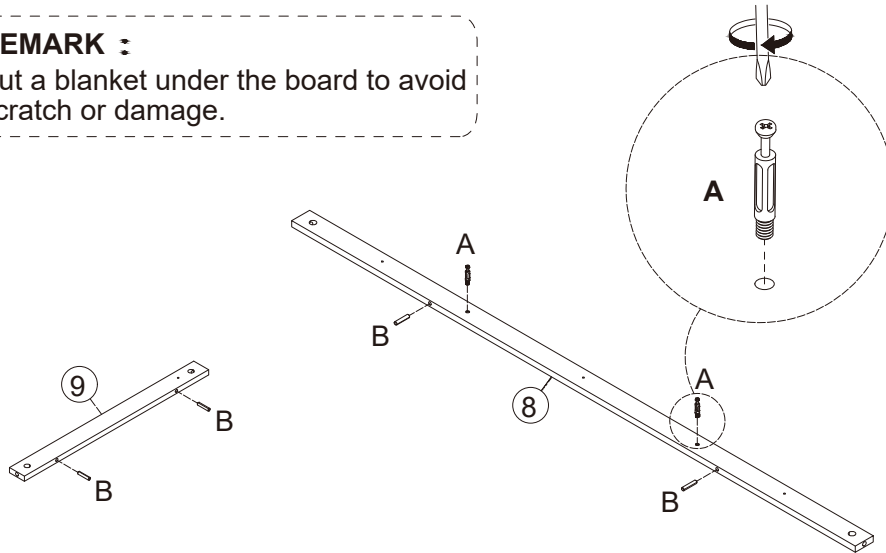
REMARK:

Please do not screw **A** too deep or too shallow.





REMARK :

Put a blanket under the board to avoid scratch or damage.

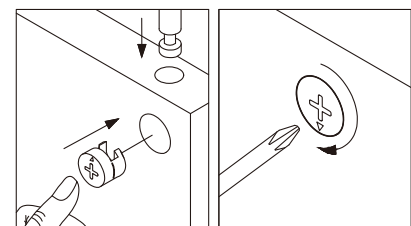
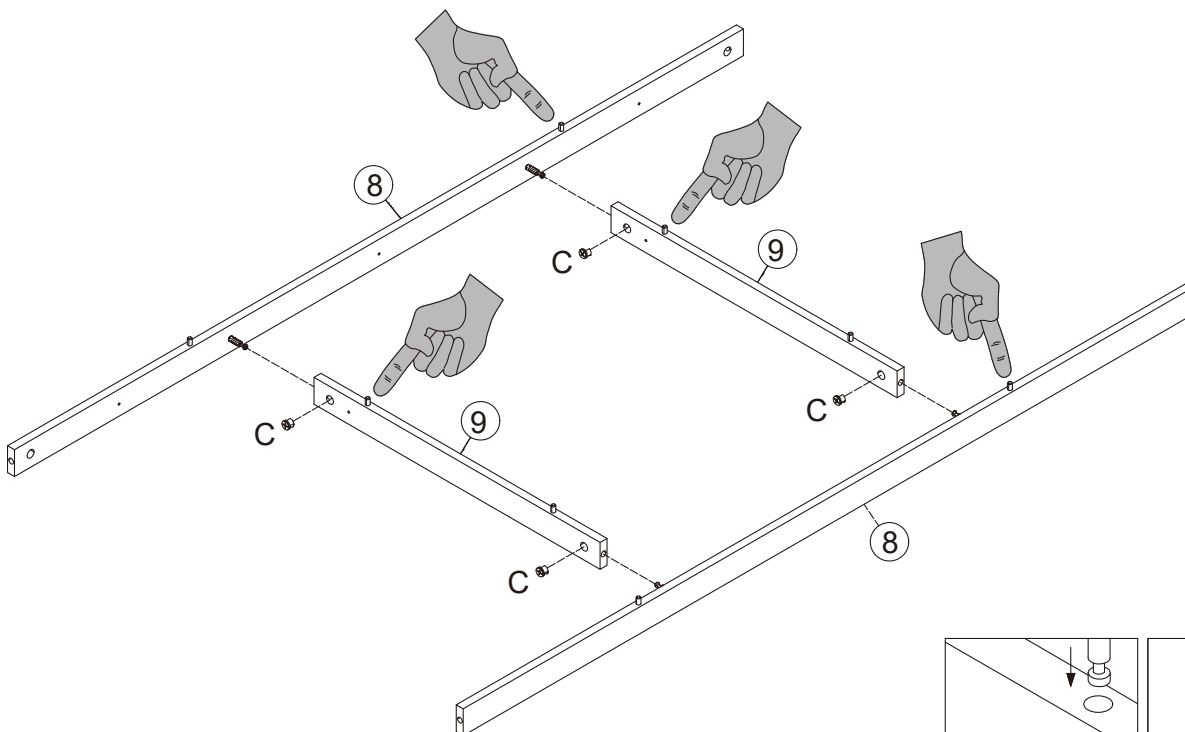


X2


Install Cam Bolt A x4 to Part #8 x2 as shown.
Install dowel x4 to Part #8 x2 as shown.
Install dowel x4 to Part #9 x2 as shown.

	A	X4
	B	X8

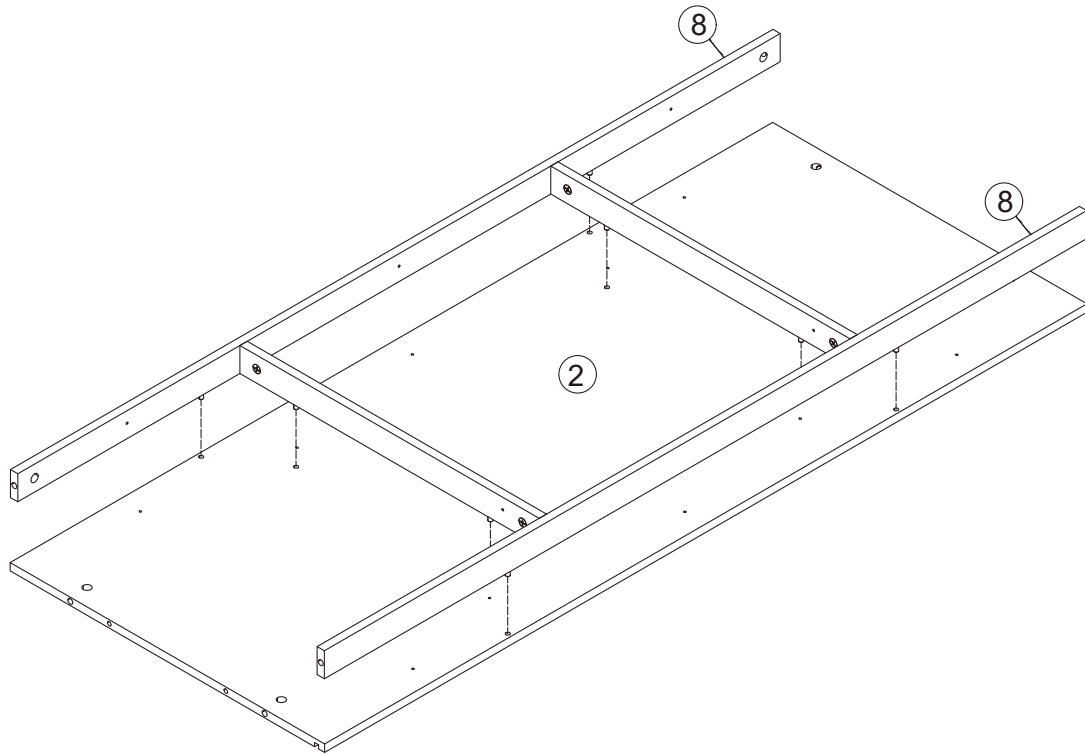
2



Attach Part #8 x2 to Part #9 x2 with nuts C x4 as shown.
Then turn nuts C x4 to secure position.

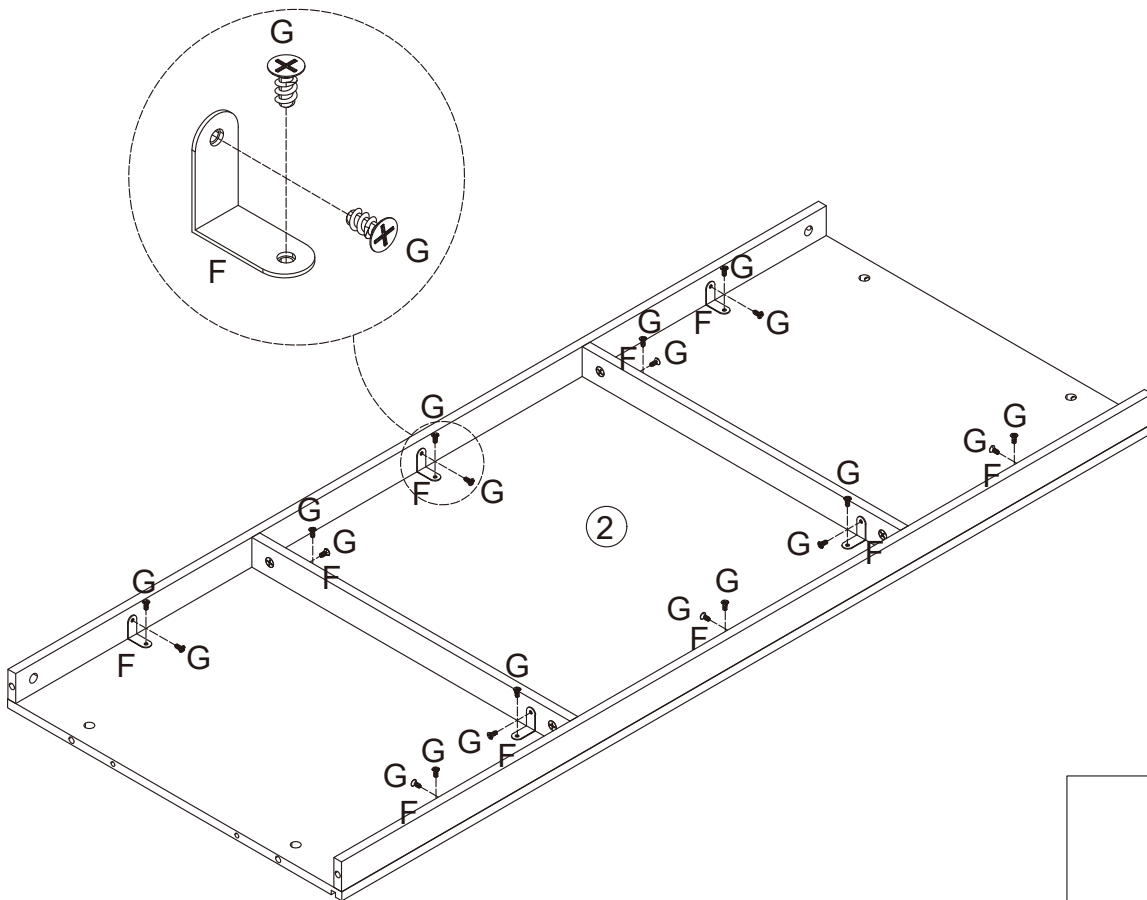
	C	X4
---	---	----

3

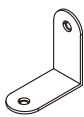



Attach Part #8&9 to Part #2 as shown.

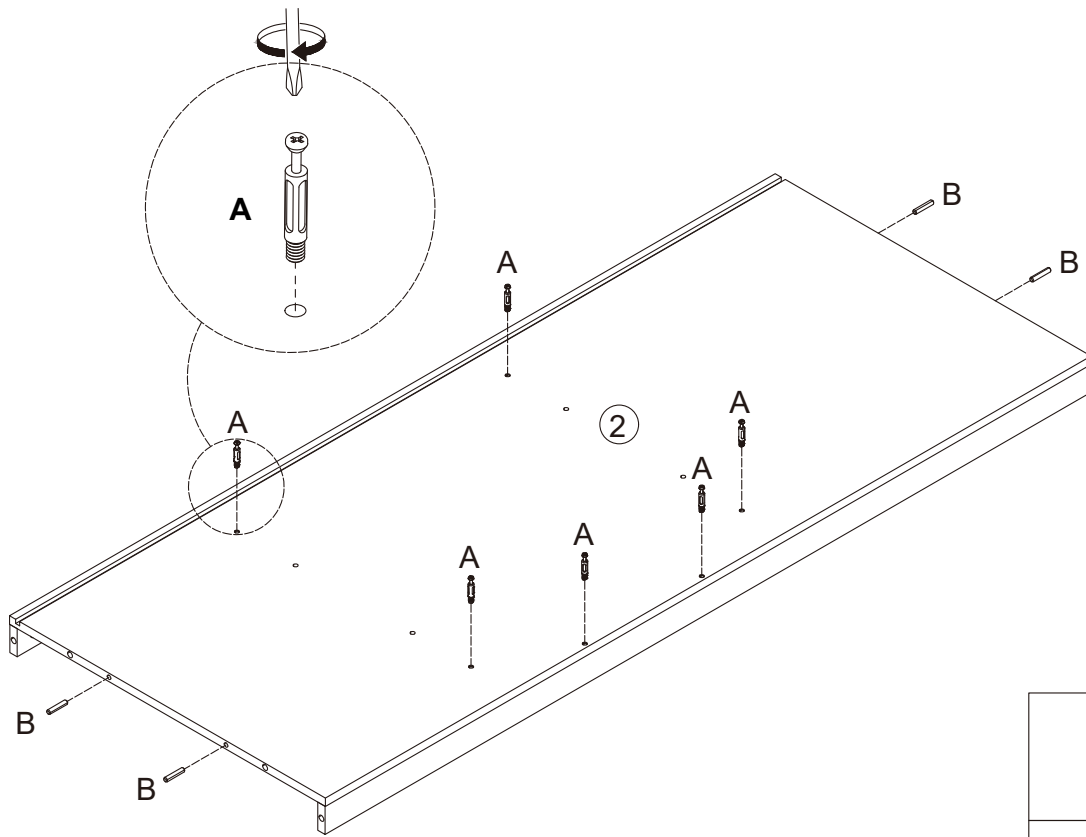
4





Install F x10 to the assembled unit with screws G x20 as shown.

	F X10
	G X20

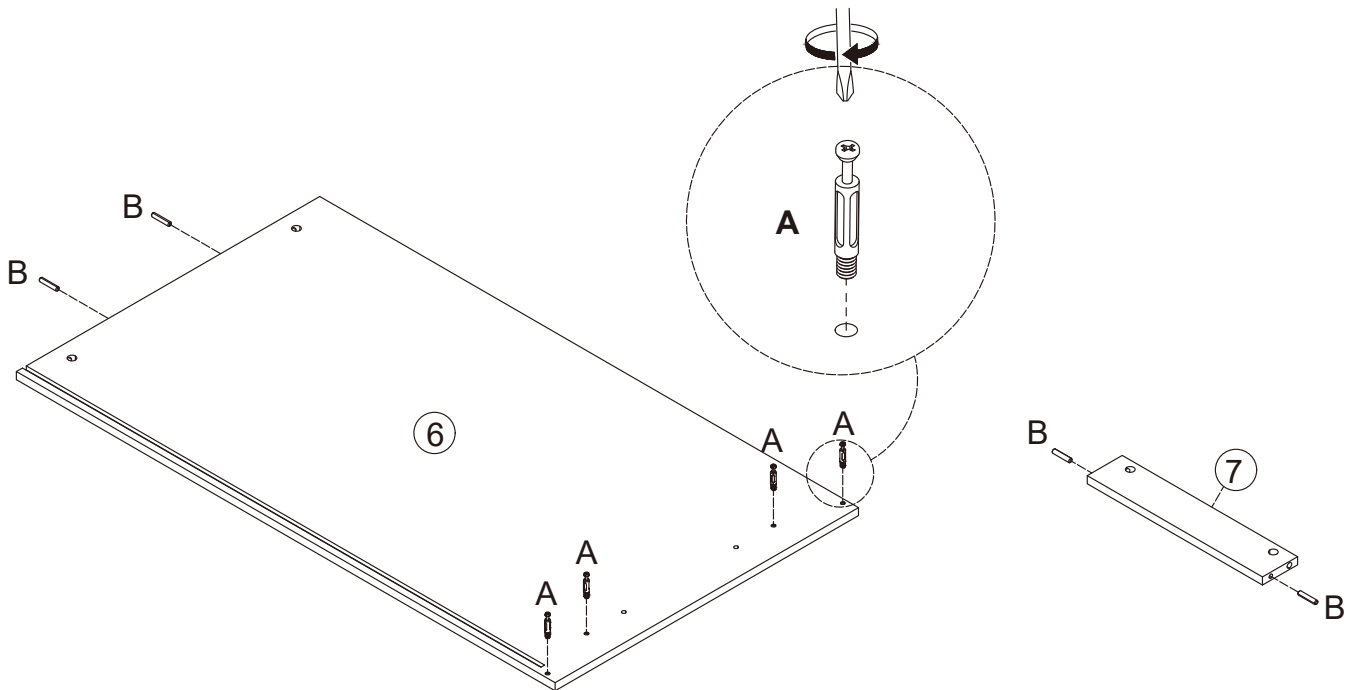
5


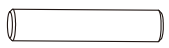


	A	X6
	B	X4

Install Cam Bolt A x6 and dowel B x4 to Part #2 as shown.

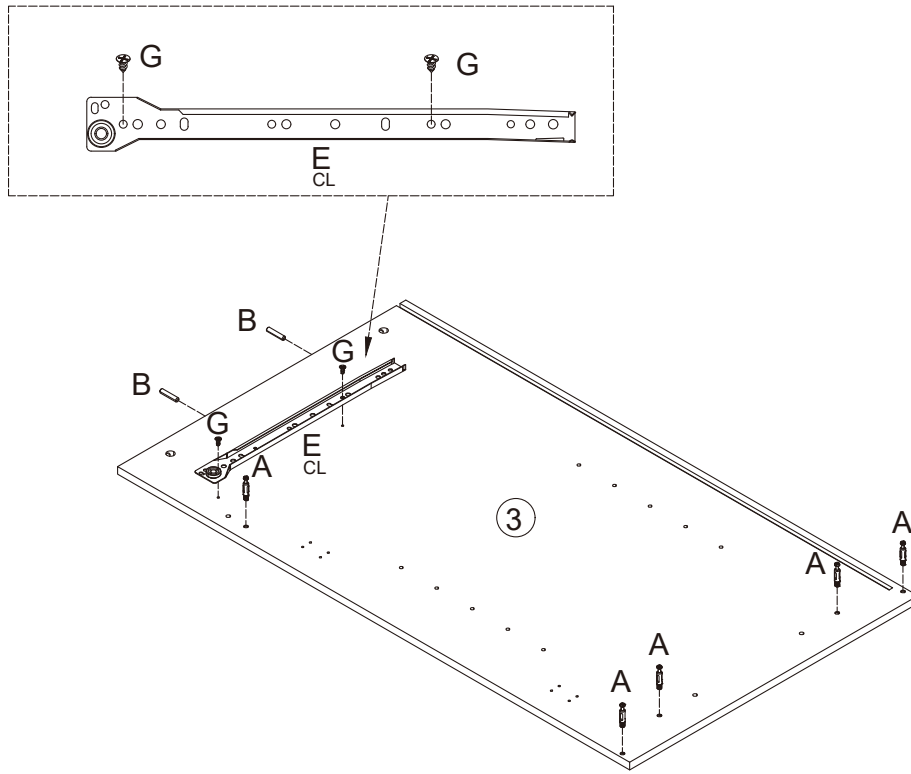
6



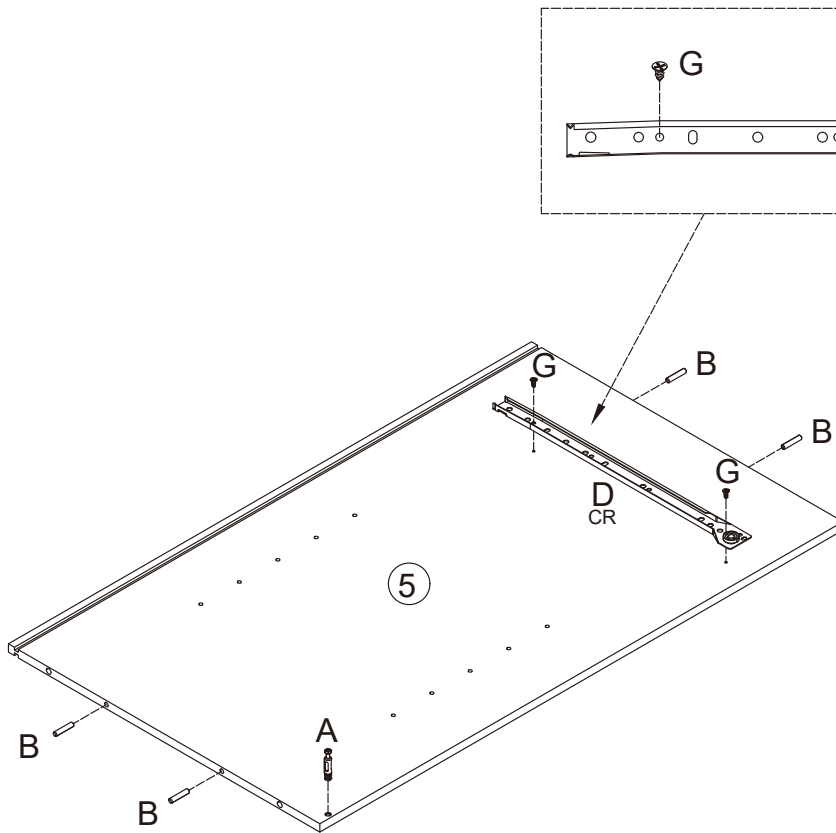
	A	X4
	B	X4

Install Cam Bolt A x4 and dowel B x2 to Part #6 as shown.
Install dowel B x2 to Part #7 as shown.


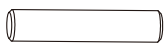




7



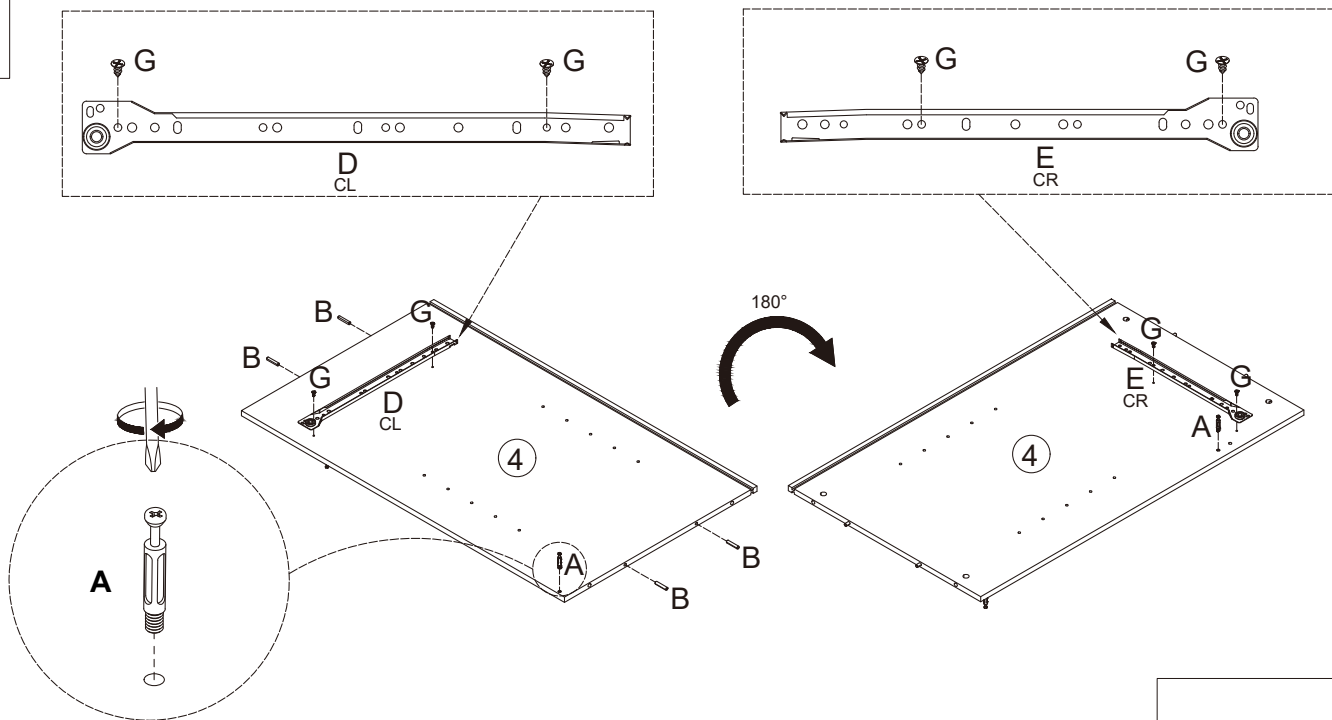
Install Cam Bolt A x5 and dowel B x2 to Part #3 as shown.
Install Rail CL (E) to Part #3 with screws G x2 as shown.




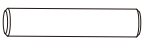

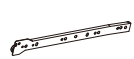

Install Cam Bolt A and dowel B x4 to Part #5 as shown.
Install Rail CR (D) to Part #5 with screws G x2 as shown.

	G X4		B X6
	A X6		D X1
	D X1		E X1
			CL

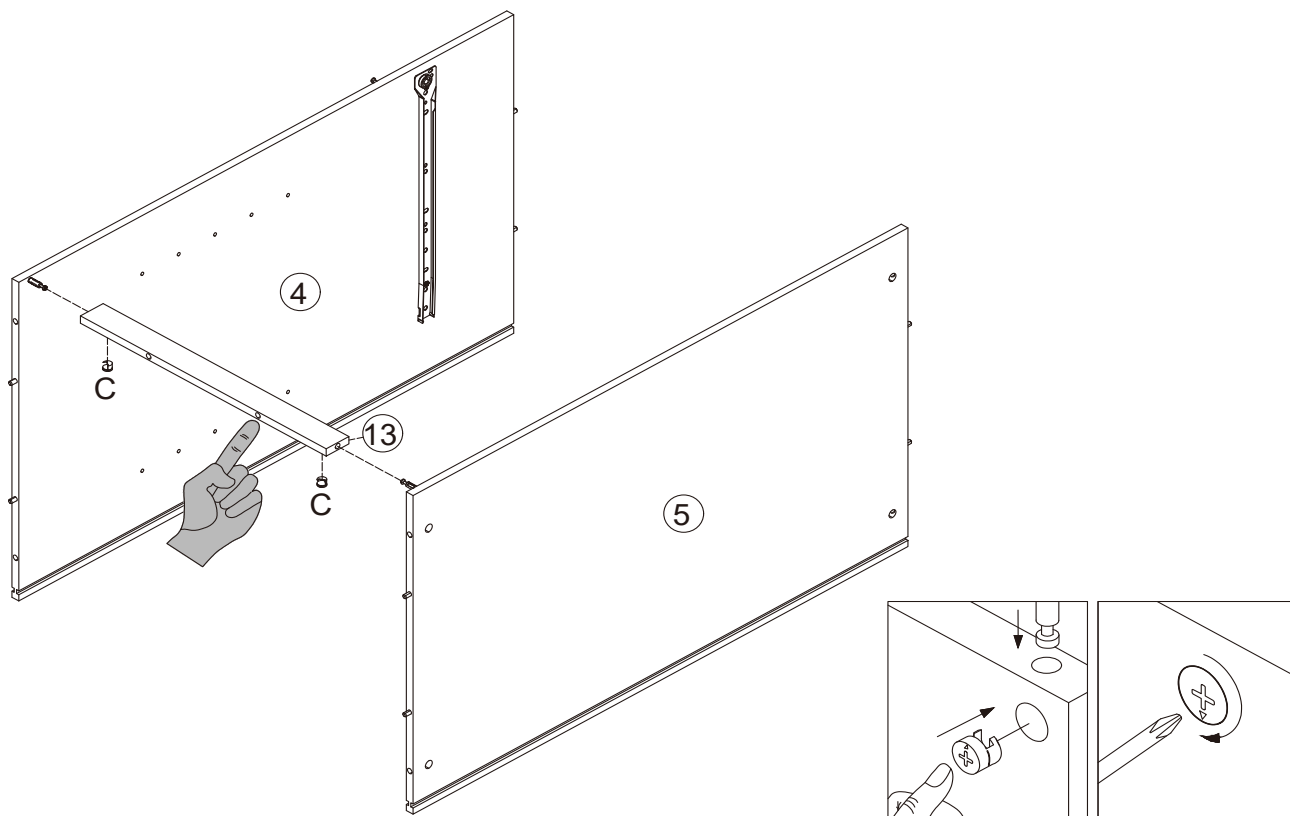
8




Install Cam Bolt A and dowel B x4 to Part #4 as shown.
 Install Rail CL (D) to Part #4 with screws G x2 as shown.
 Then turn it 180° as shown.
 Install Cam Bolt A to Part #4 as shown.
 Install Rail CR (E) to Part #4 with screws G x2 as shown.

	A	X2
	B	X4
	D	X1
	E	X1
	G	X4

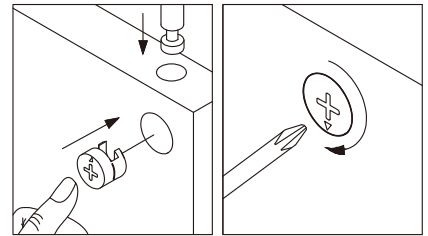
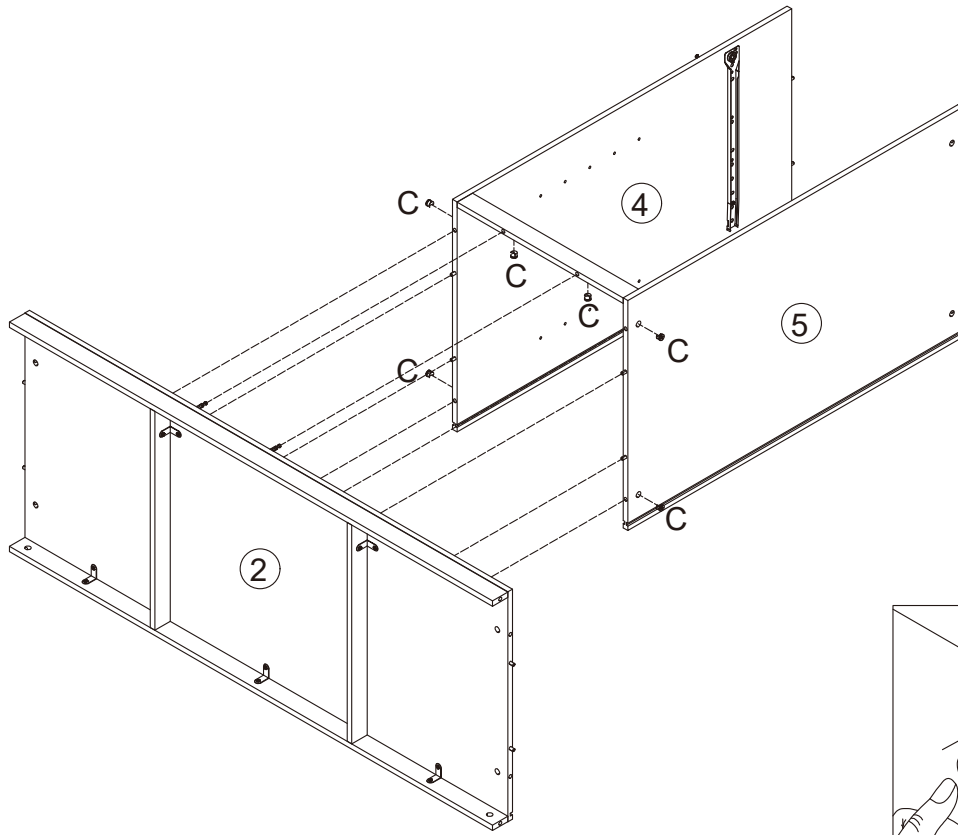
9



Attach Part #4&5 to Part #13 with nuts C x2 as shown.
 Then turn nuts C x2 to secure position.

	C	X2
---	---	----

10

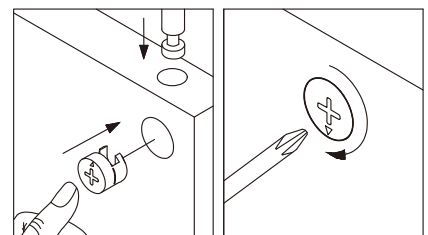
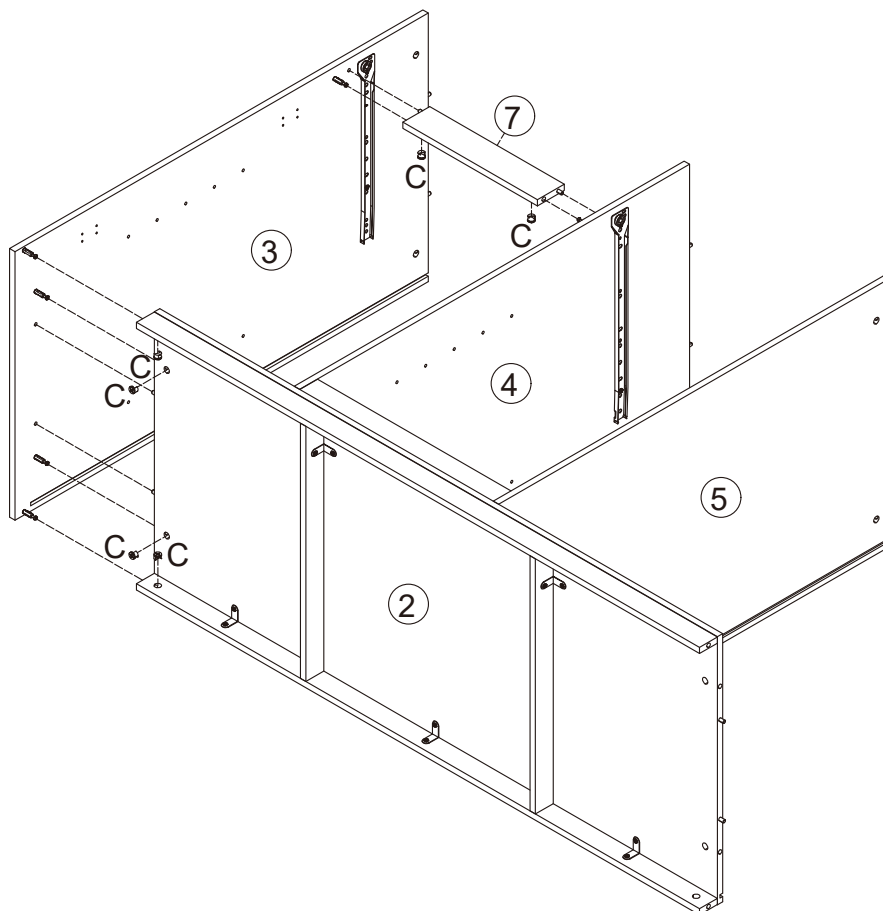


Attach Part #2 to the assembled unit with nuts C x6 as shown.
Then turn nuts C x6 to secure position.

C X6



11

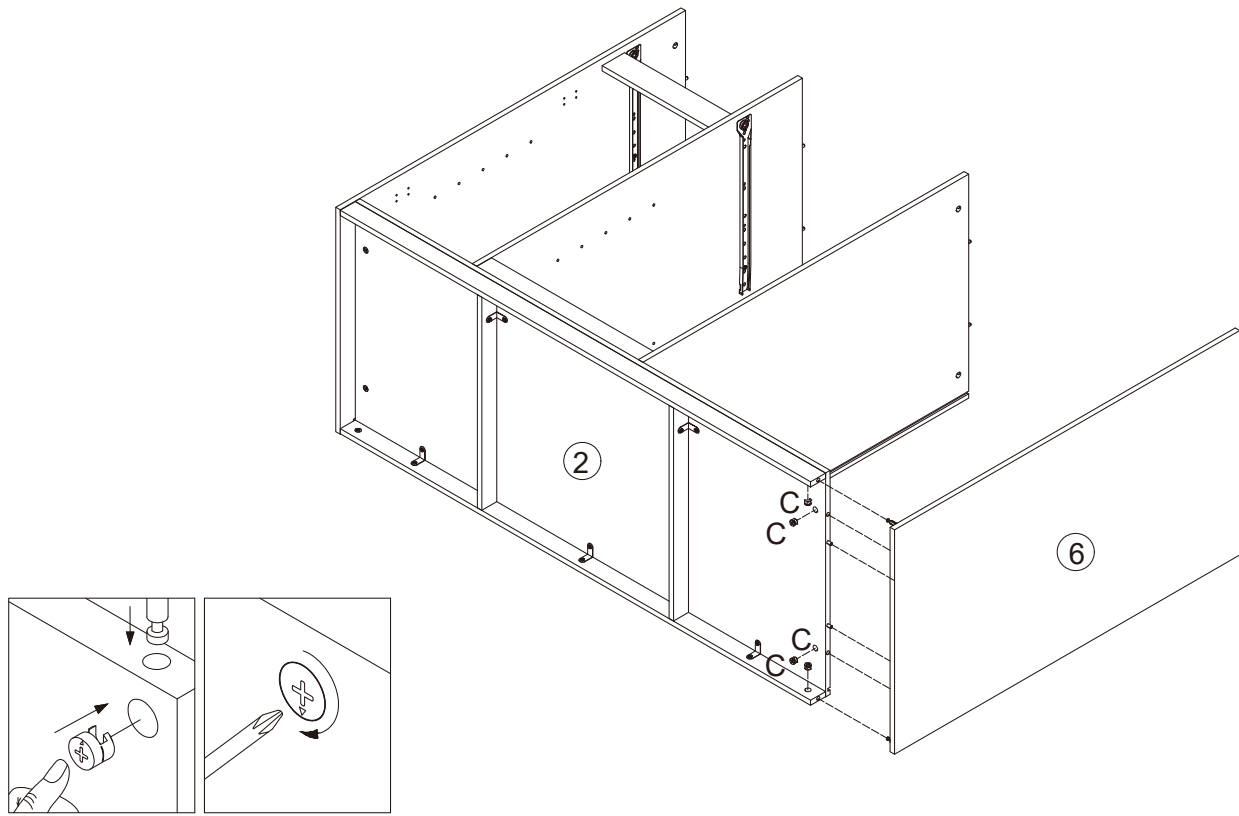


Attach Part #3&4 to Part #7 with nuts C x2 as shown.
Attach Part #3 to Part #2 with nuts C x4 as shown.
Then turn nuts C x6 to secure position.

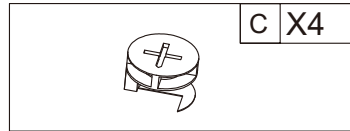
C X6



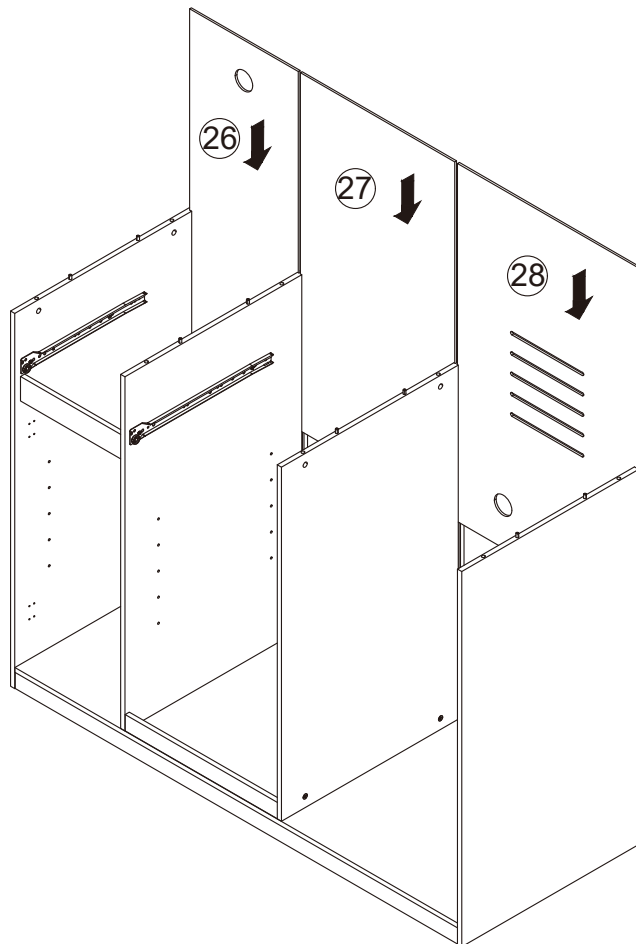
12



Attach Part #6 to Part #2 with nuts C x4 as shown.
Then turn nuts C x4 to secure position.

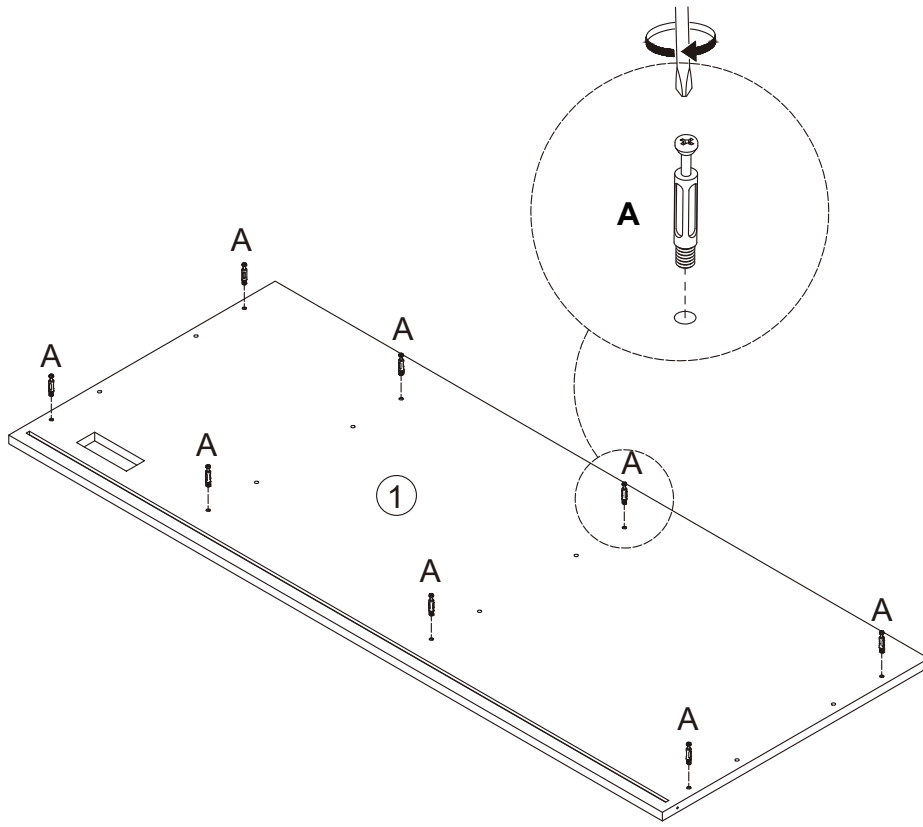


13



Insert Part #26, #27 and #28 straight down into the grooves of the assembled unit as shown.

14

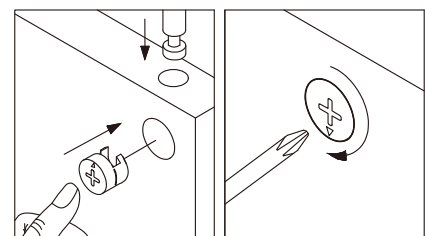
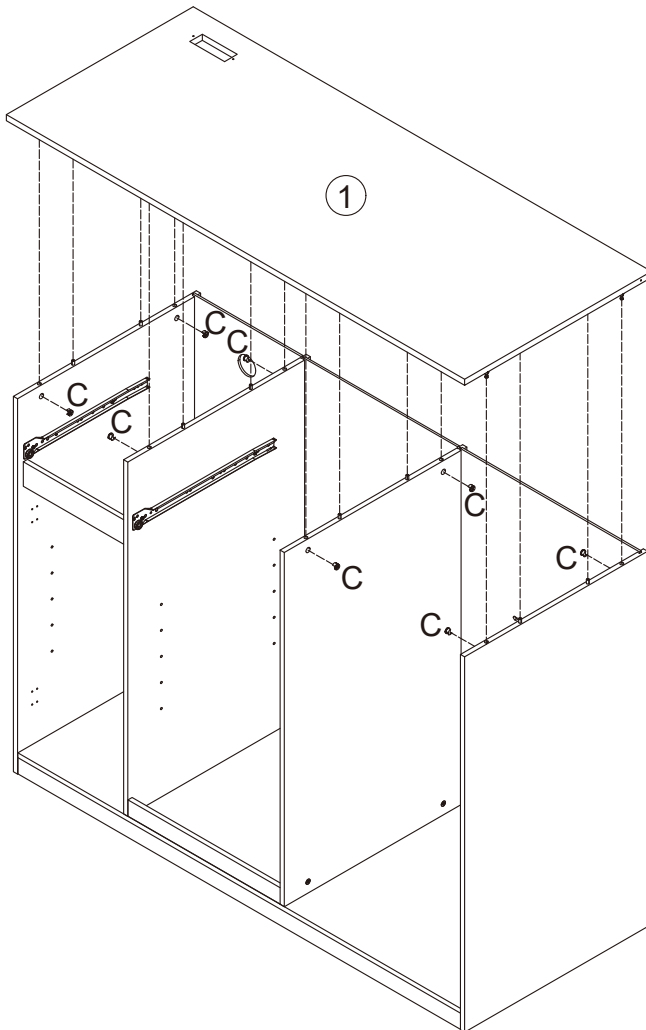


A X8



Install Cam Bolt A x8 to Part #1 as shown.

15

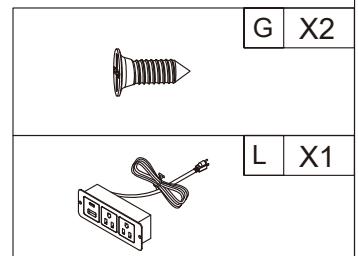
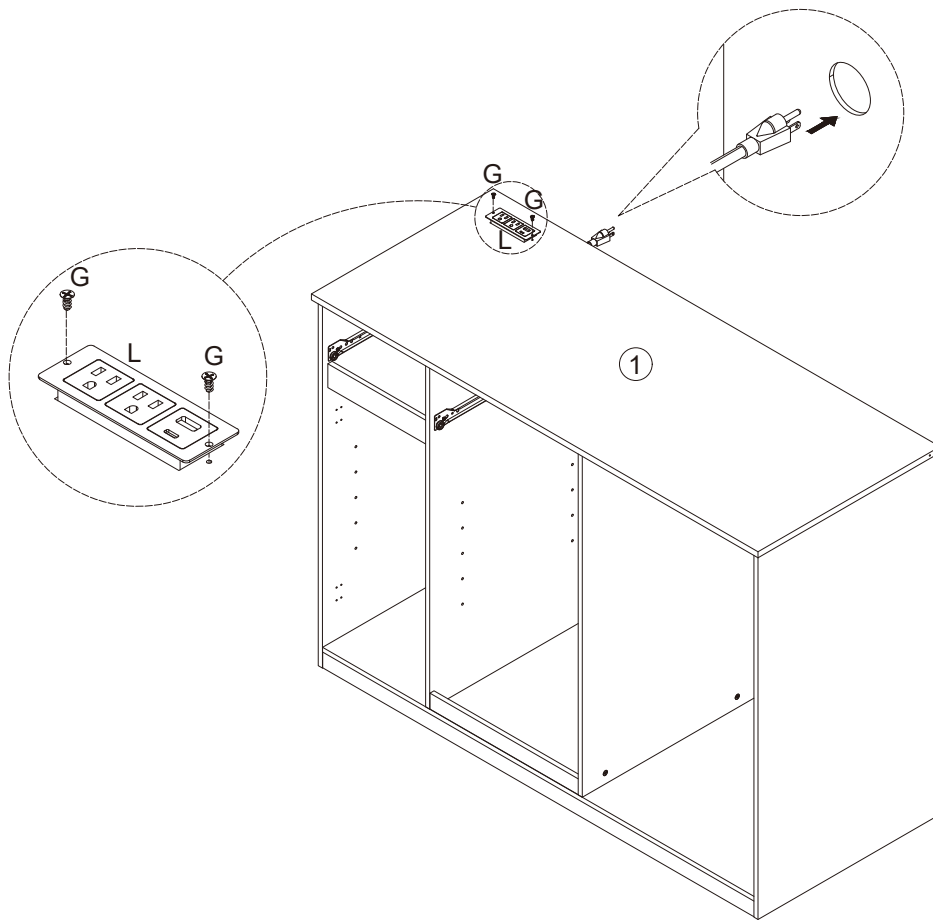


C X8



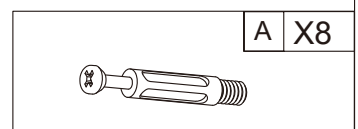
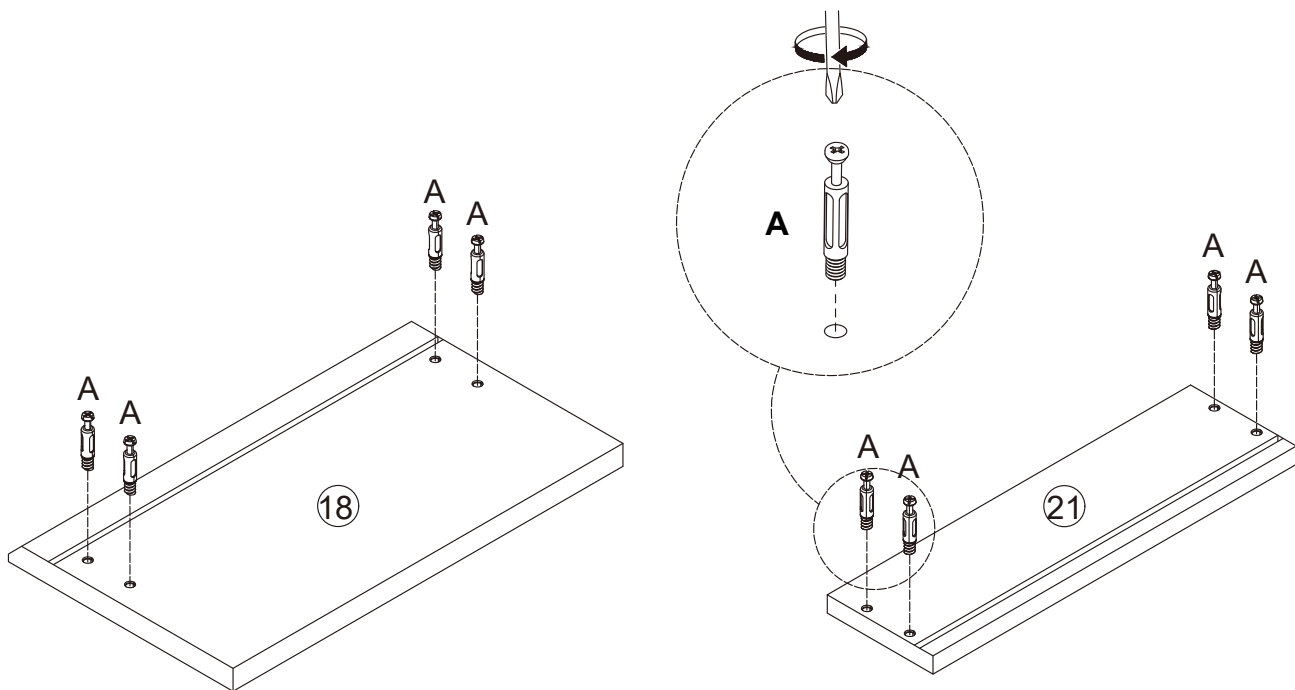
Attach Part #1 to the assembled unit with nuts C x8 as shown.
Then turn nuts C x8 to secure position.

16

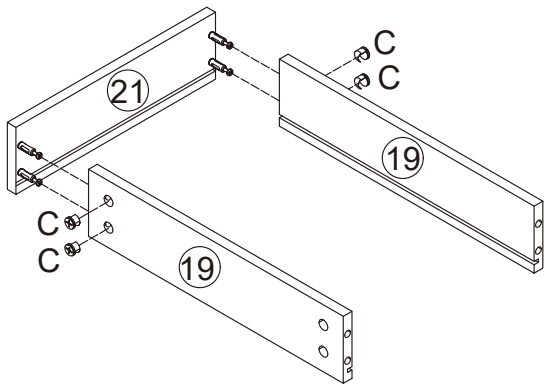


Install L to Part #1 with screws G x2 as shown.

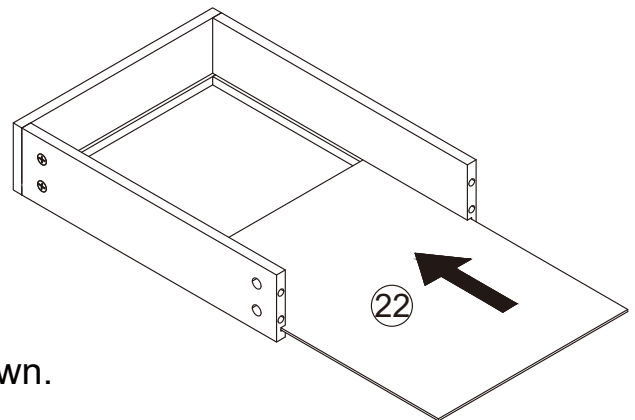
17



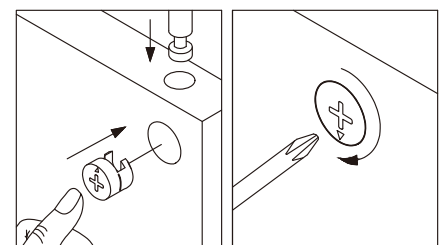
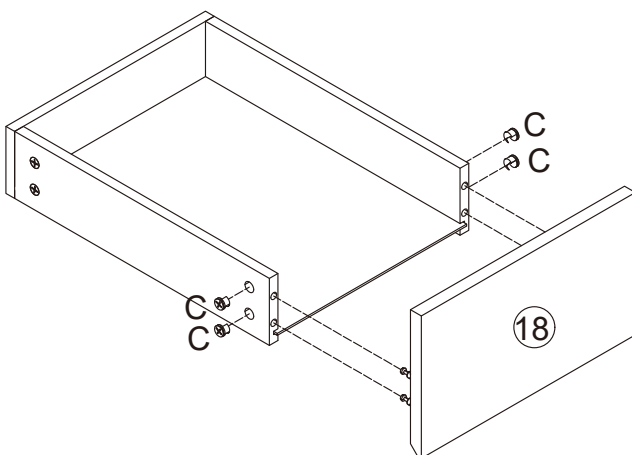
Install Cam Bolt A x8 to Part #18 and Part #21 as shown.



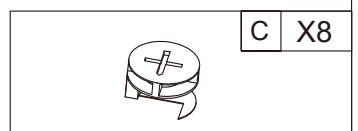
Attach Part #19 x2 to Part #21 with nuts C x4 as shown.



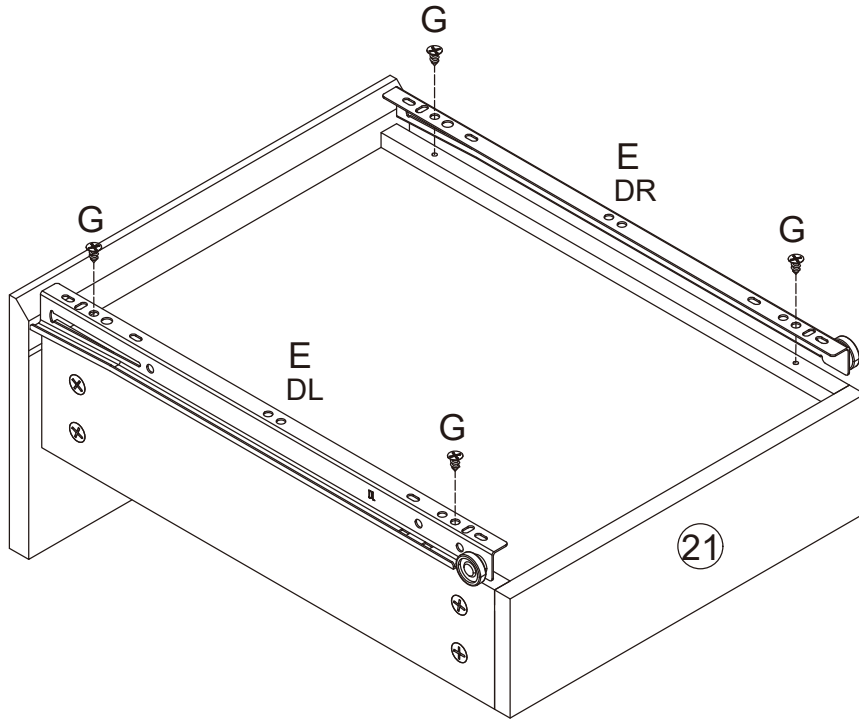
Insert Part #22 into the grooves of Part #19 as shown.






Attach Part #18 to Part #19 x2 with nuts C x4 as shown.
Then turn nuts C x8 to secure position.



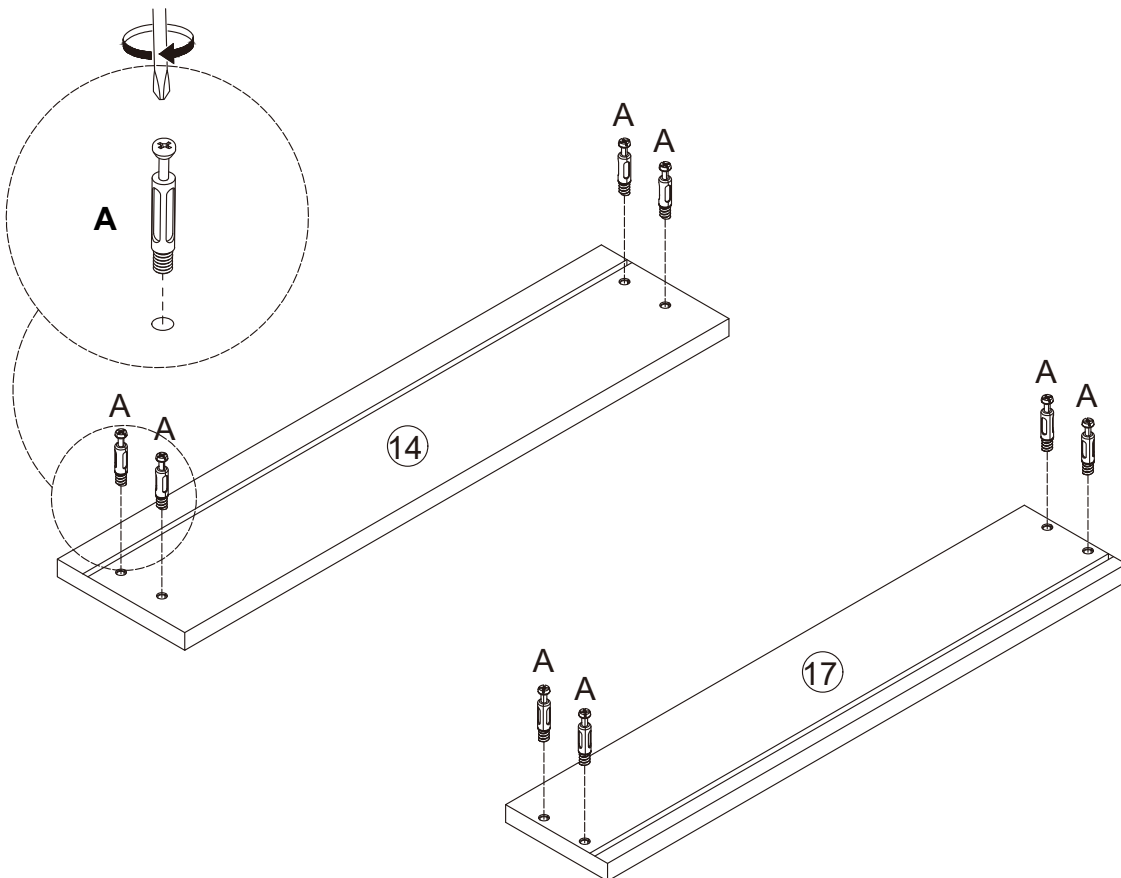
19



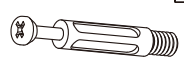
Install Rail DR & DL (E) to Part #19 x2 with screws G x4 as shown.

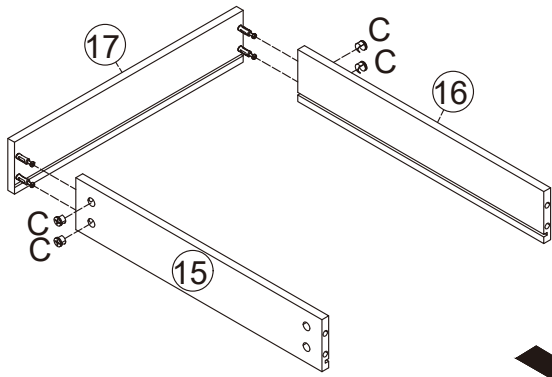
	E	X1
	G	X4
	E	X1

20

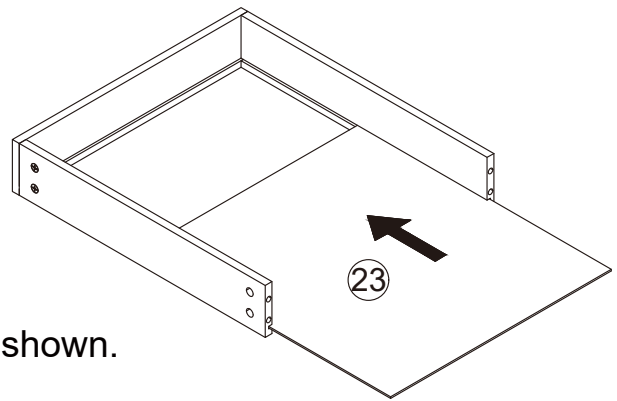


Install Cam Bolt A x8 to Part #14 and Part #17 as shown.

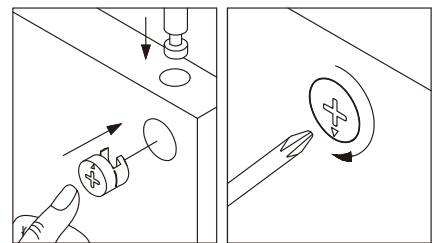
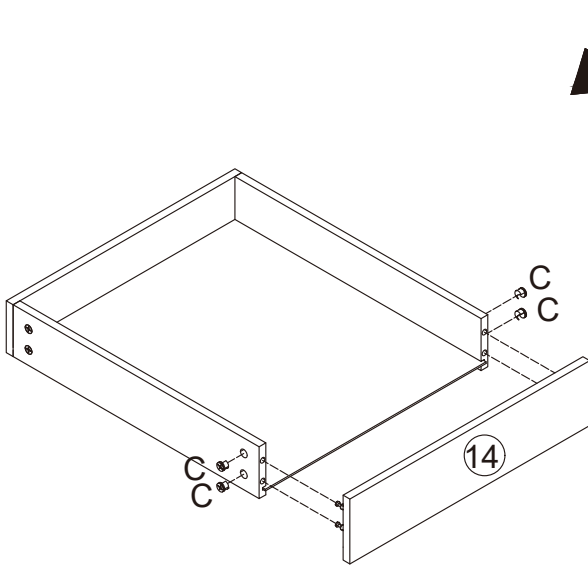
	A	X8
---	---	----



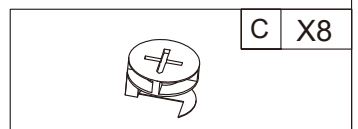
Attach Part #15&16 to Part #17 with nuts C x4 as shown.



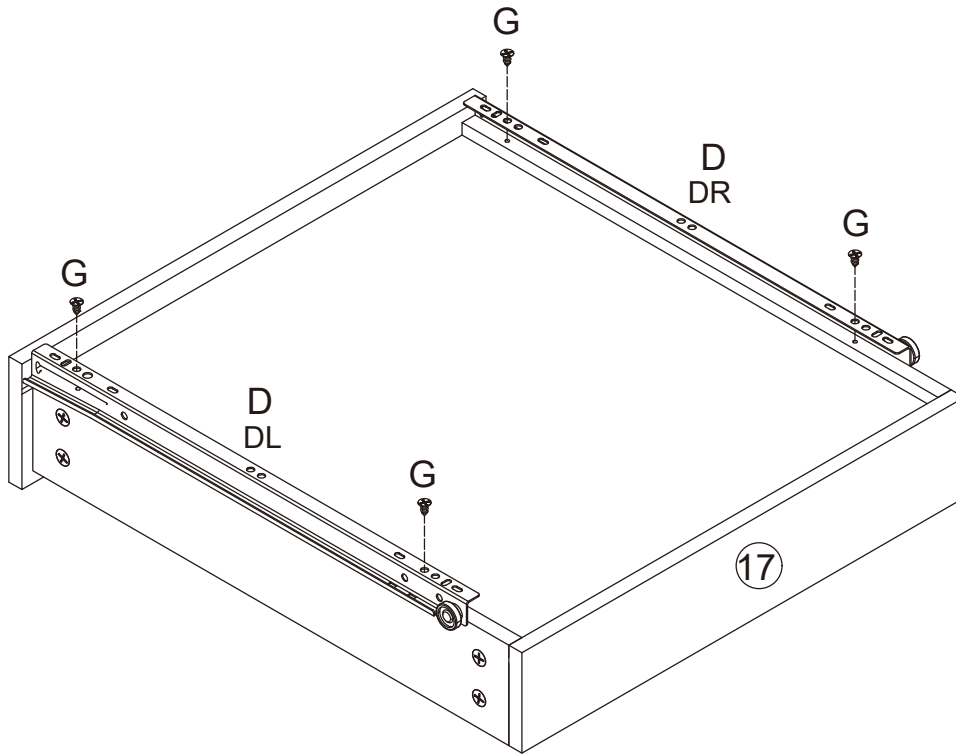
Insert Part #23 into the grooves of Part #15&16 as shown.



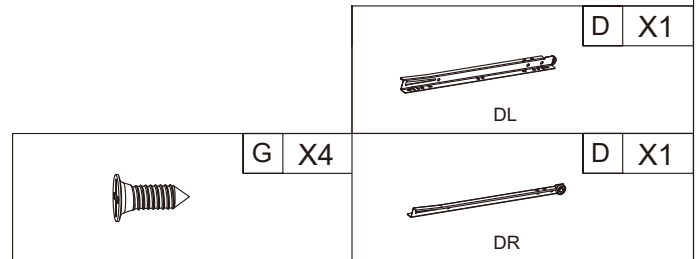
Attach Part #14 to Part #15&16 with nuts C x4 as shown.
Then turn nuts C x8 to secure position.



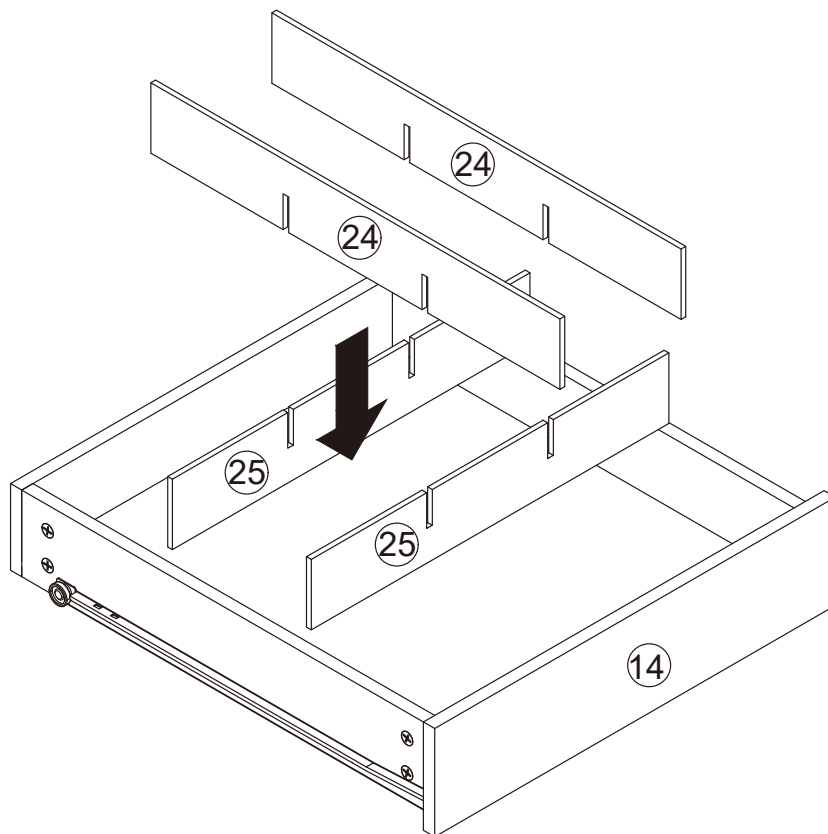
22



Install Rail DR & DL (D) to Part #15&16 with screws G x4 as shown.

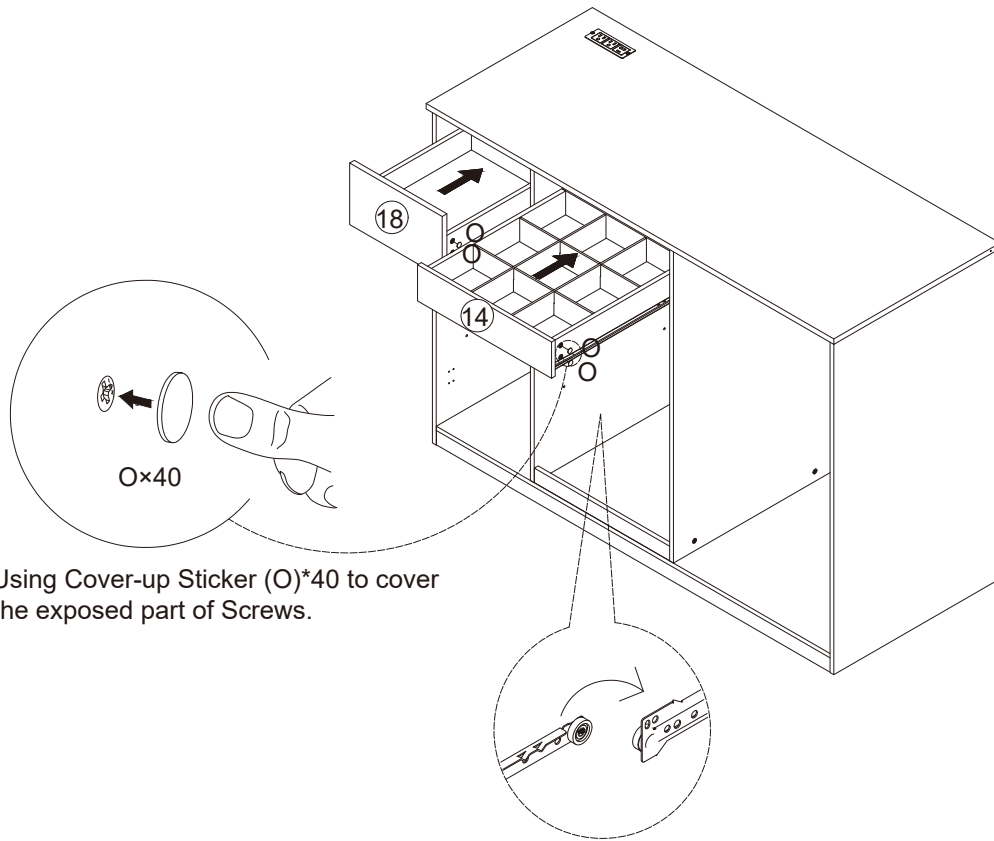


23

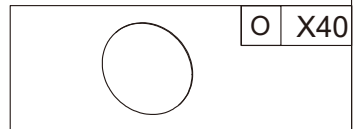


Install Part #25 x2 on the drawer base as shown.
Then insert Part #24 x2 into Part #25 x2, aligning the slots as shown.

24

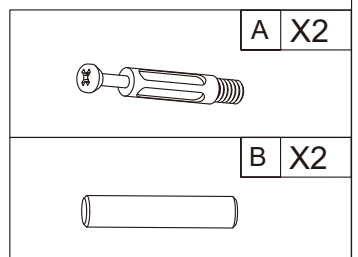
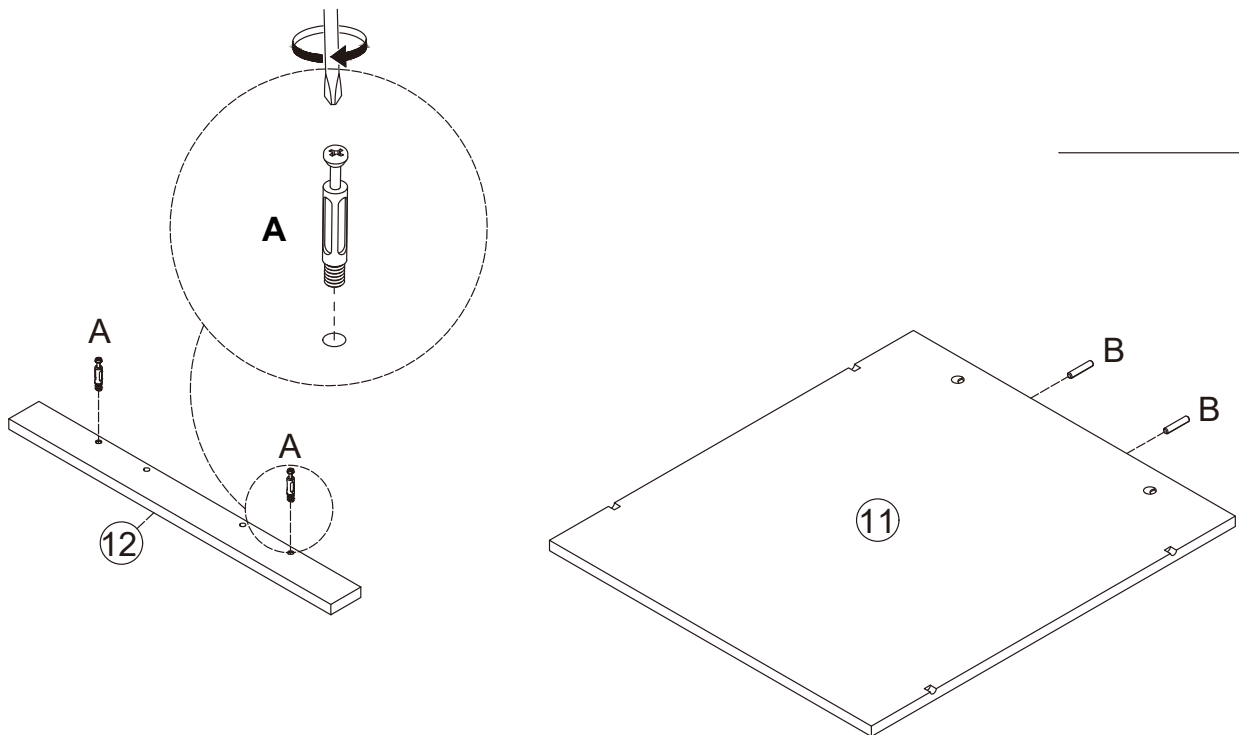


Using Cover-up Sticker (O)*40 to cover the exposed part of Screws.



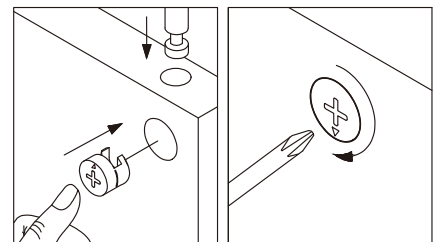
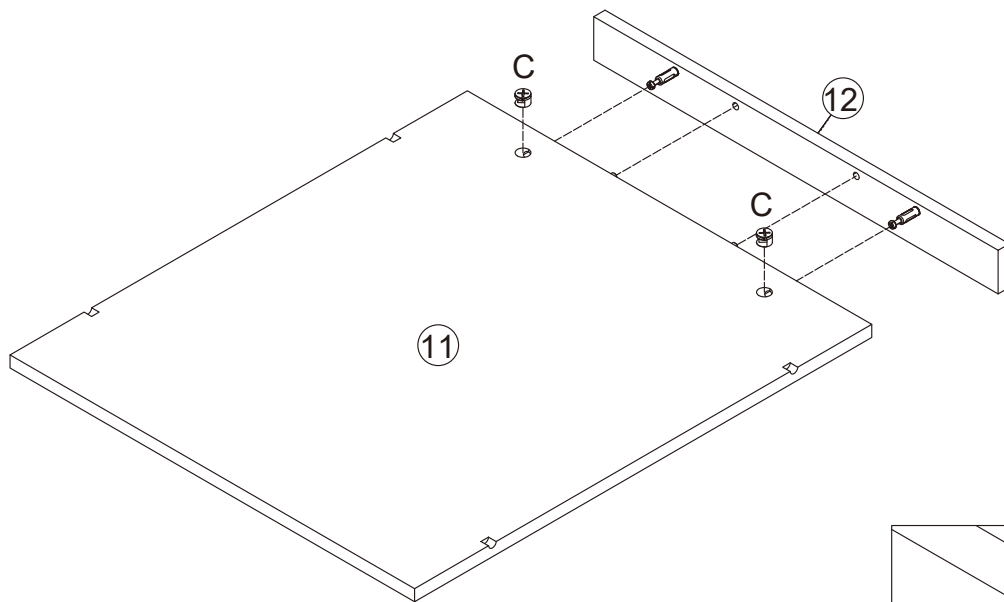
Insert the assembled drawer x2 into the cabinet, aligning the rails on the drawer with the rails inside the cabinet.

25



Install Cam Bolt A x2 to Part #12 as shown.
Install dowel B x2 to Part #11 as shown.

26

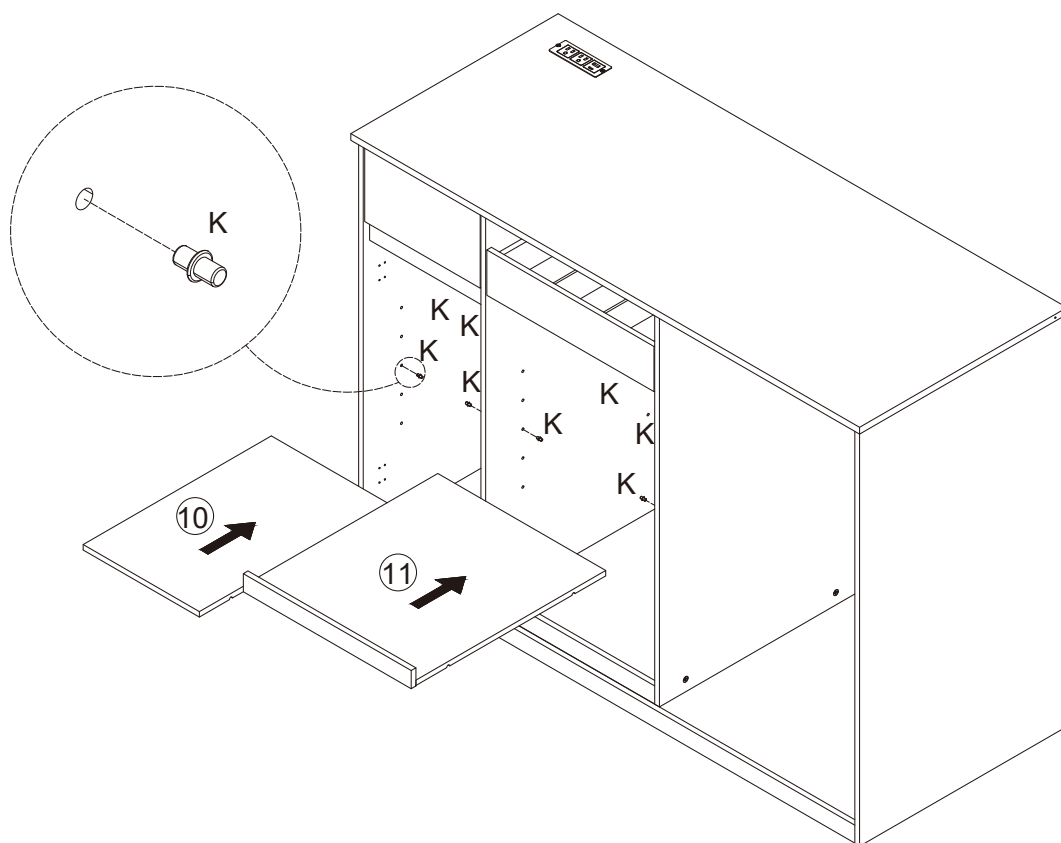


Attach Part #12 to Part #11 with nuts C x2 as shown.
Then turn nuts C x2 to secure position.

C X2

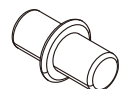


27

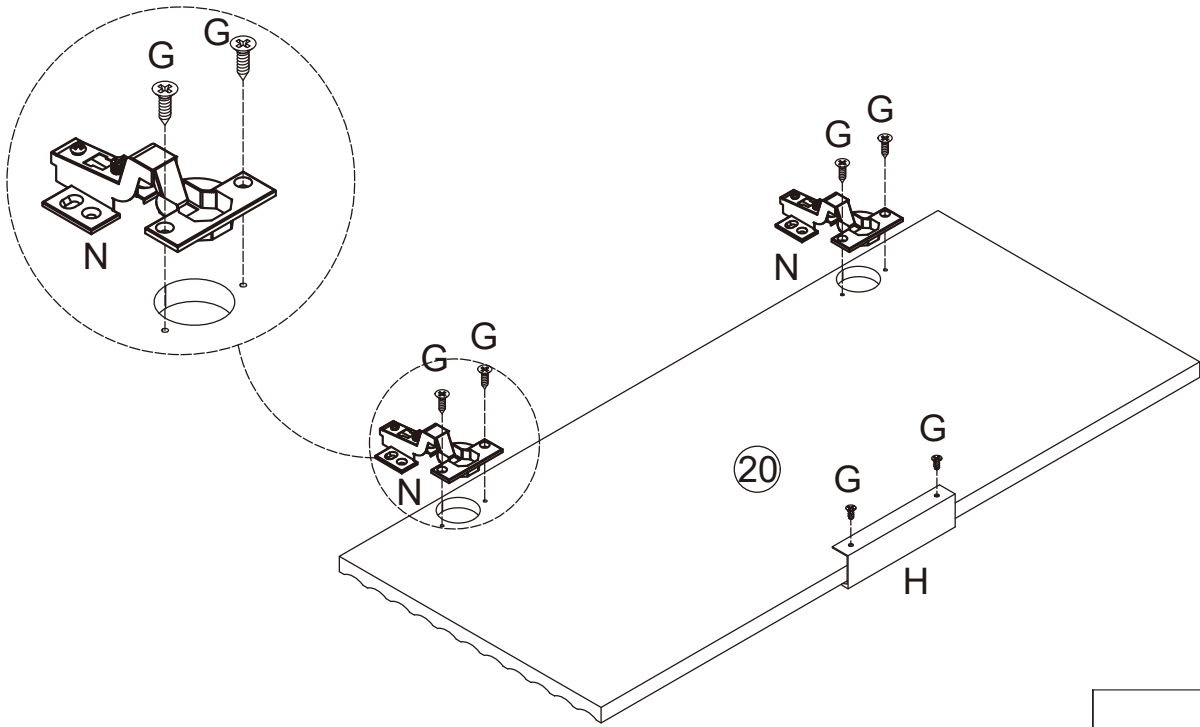


Install K x8 to the assembled unit from Step 24 as shown.
Then put Part #10&11 on K as shown.

K X8

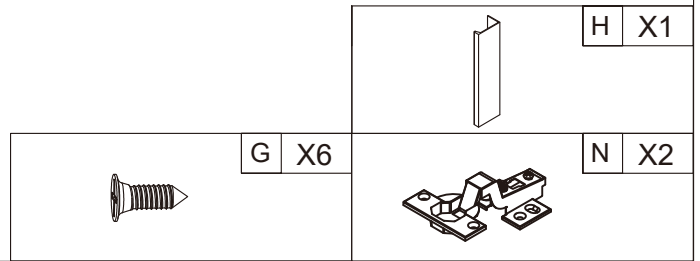


28



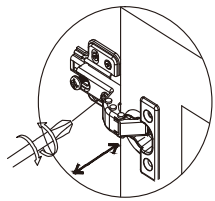
Install hinge N x2 to Part #20 with screws G x4 as shown.

Install handle H to Part #20 with screws G x2 as shown.

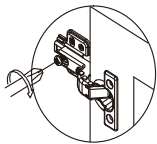
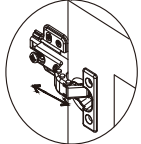
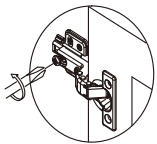


29

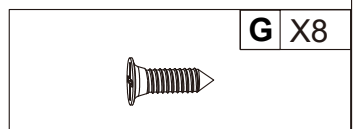
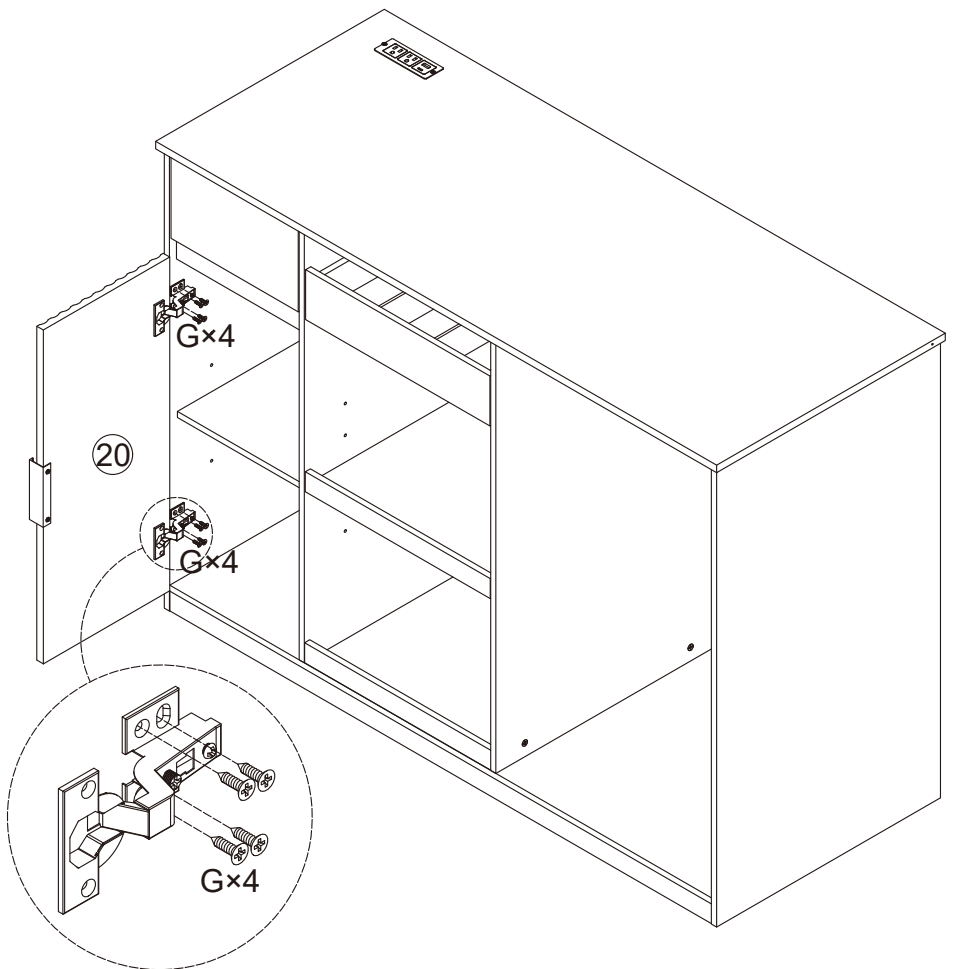
If the door can't close, please adjust the hinges.



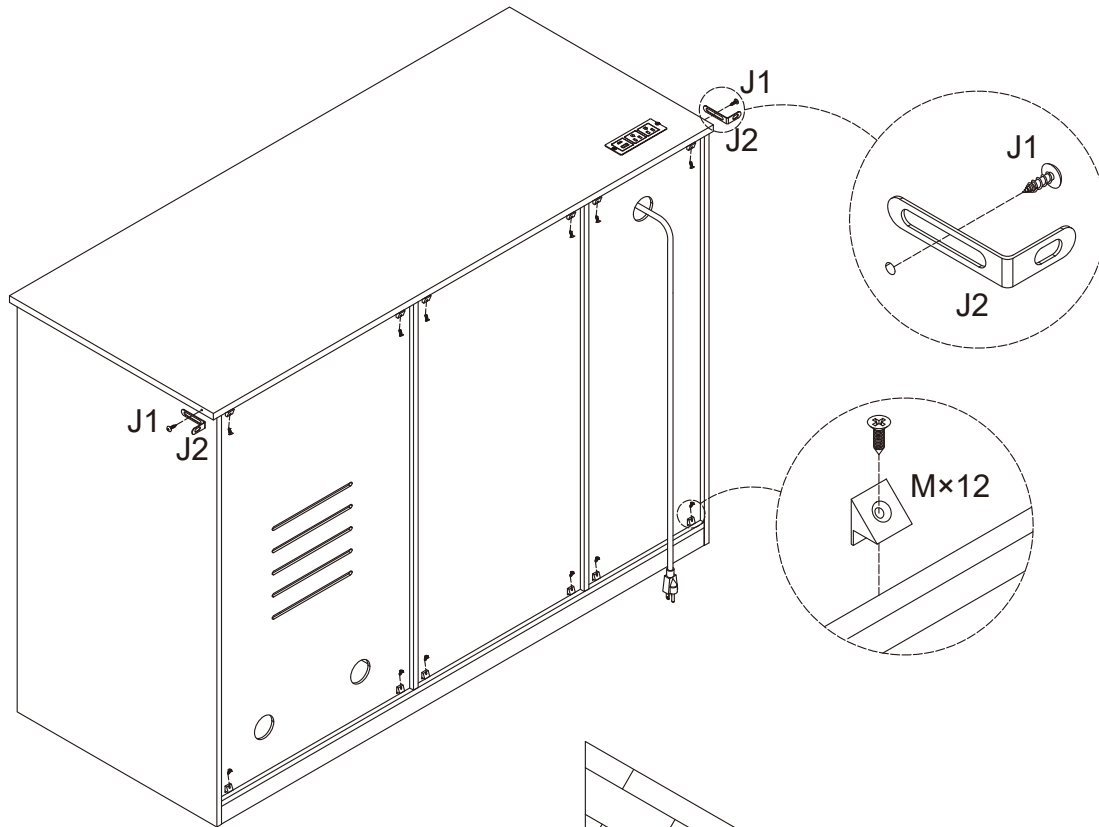
This is used to adjust the door panel in the up and down direction.



This is used to adjust the door panel in the front and back direction: Loosen the screw first, and then tighten screw after adjusting the door panel to the proper position.

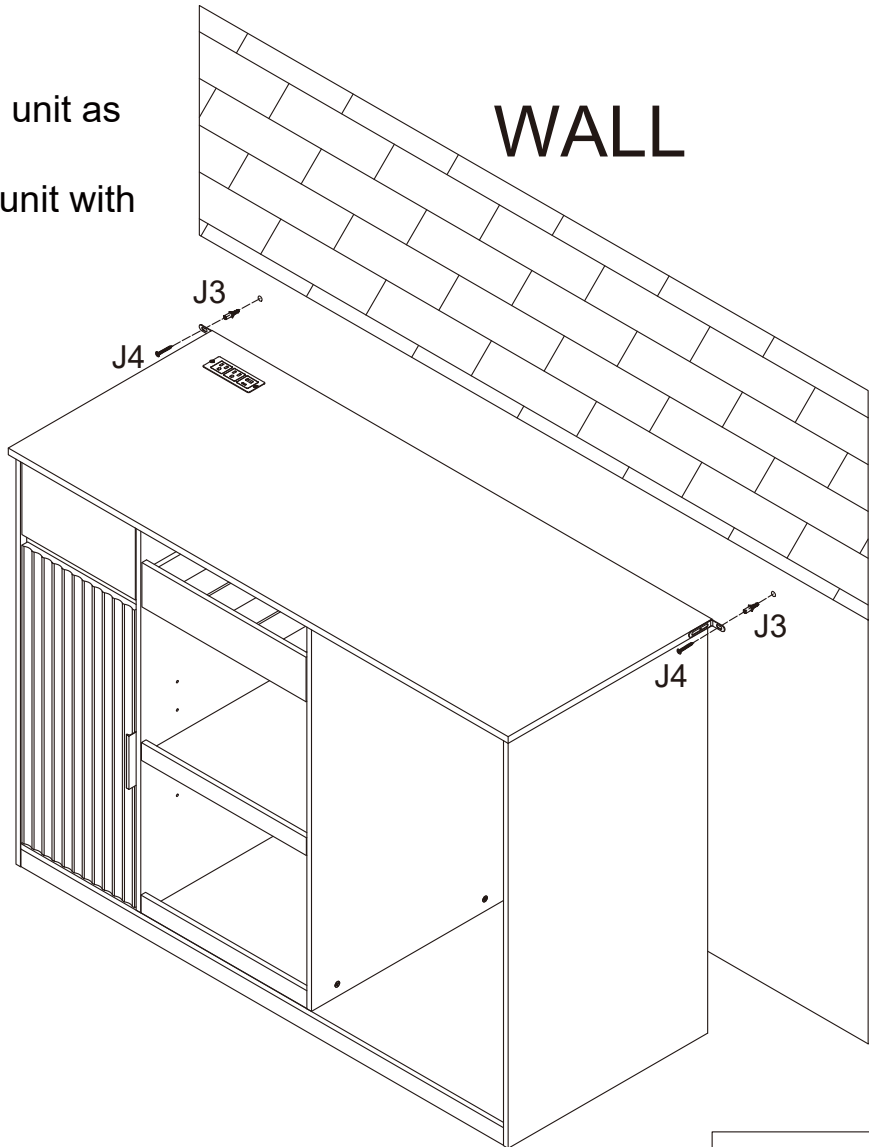
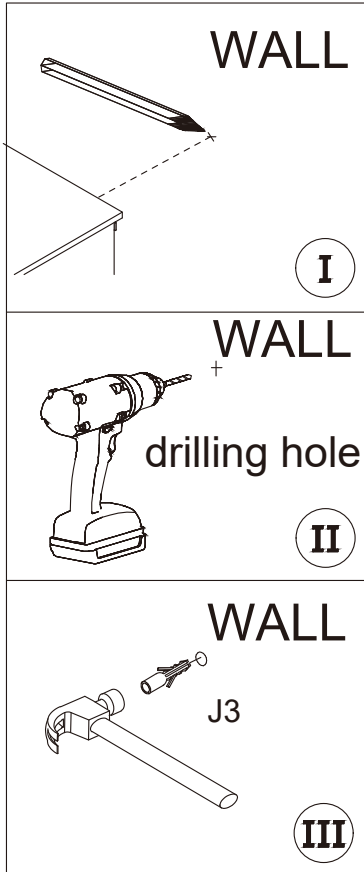


Attach Part #20 to the assembled unit with screws G x8 as shown.



Install M x12 to the assembled unit as shown.

Install J2 x2 to the assembled unit with screws J1 x2 as shown.



WALL

J		X2	
J1	J2	J3	J4
M		X12	

Drill the holes in the wall, then knock in screws J3 x2 as shown.
Attach the safety brackets J1 x2 to the wall with screws J4 x2 as shown.