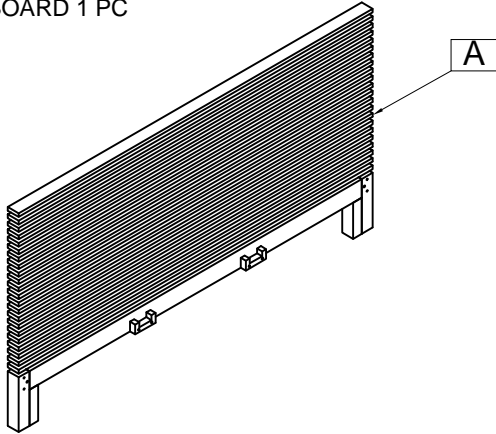


TANNER CAL KING BED ASSEMBLY INSTRUCTIONS



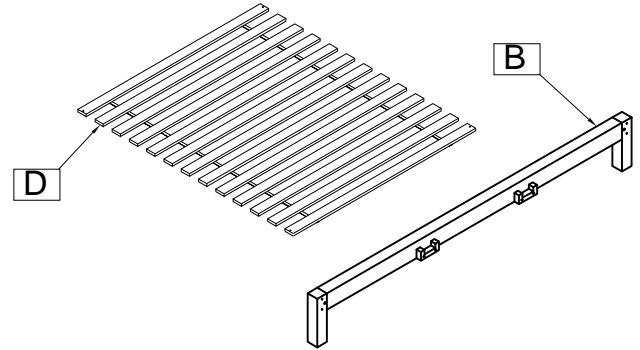
BOX #1

A. HEADBOARD 1 PC



BOX #2

B. FOOTBOARD 1 PC
D. SLAT ROLL 1 SET
BED HARDWARE BOX

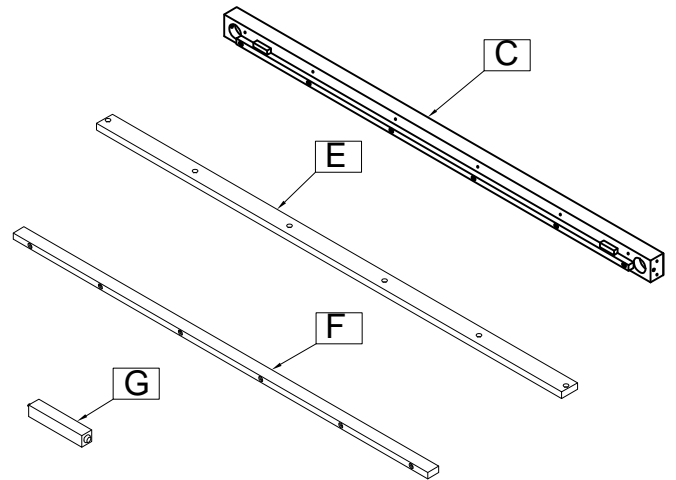


HARDWARE KIT PACKED IN BOX #2

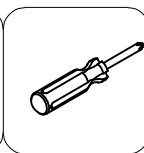
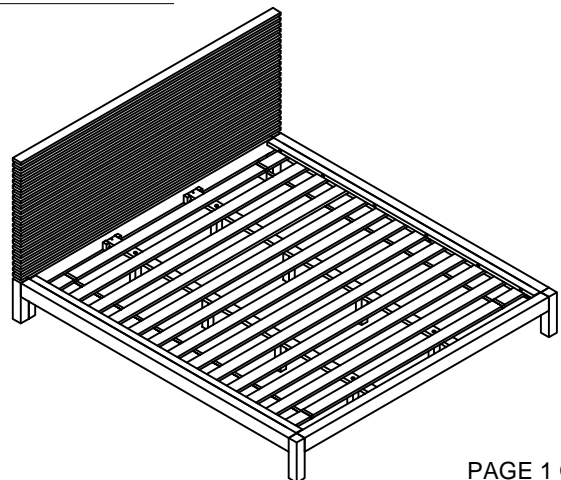
No.	DESCRIPTION	IMAGE	QUANTITY
1	METAL DOWEL (8x40mm)		8 PCS
2	ALL- THREAD BOLT (5/16"x80mm)		4 PCS
3	THREADED HALF MOON WASHER NUT (5/16")		4 PCS
4	SPANNER		1 PC
5	ALLEN BOLT (1/4"x50mm)		12 PCS
6	LOCK WASHER (5/16"x2mm)		12 PCS
7	FLAT WASHER (8x19mm)		12 PCS
8	WOOD SCREW (4x30mm)		8 PCS
9	ALLEN KEY		1 PC

BOX #3 :

C. SIDE RAIL 2 PCS
E. CENTER SLAT SUPPORT 2 PCS
F. MATTRESS SPACER 2 PCS
G. SUPPORT LEG 8 PCS



FULLY ASSEMBLED

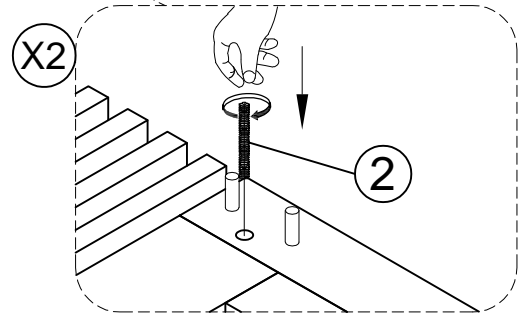
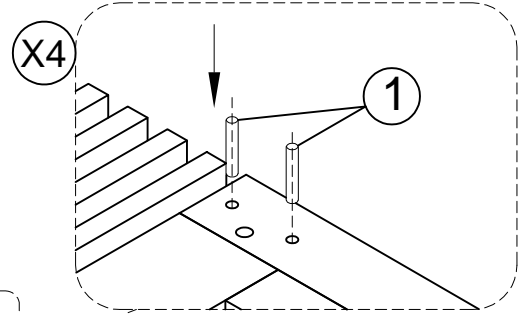
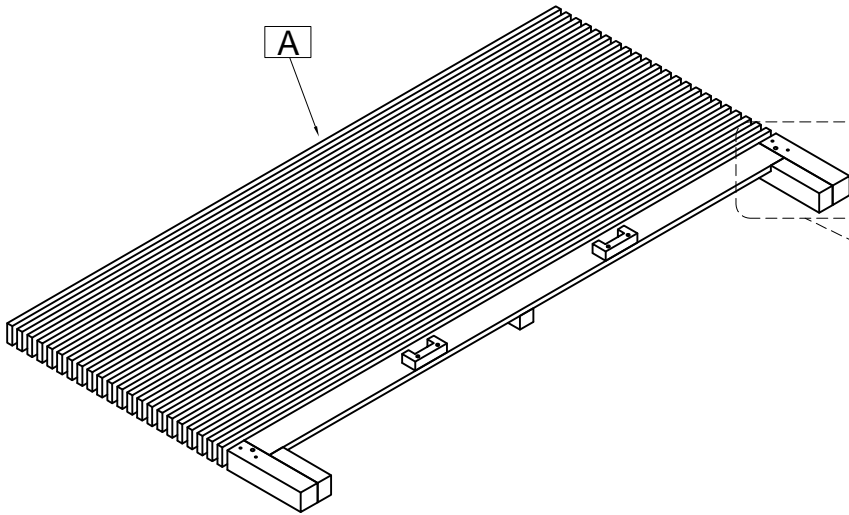


ASSEMBLE ON A SOFT SURFACE

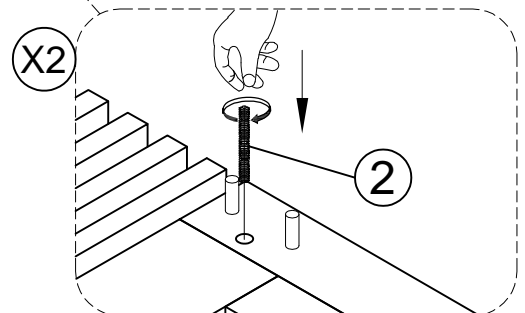
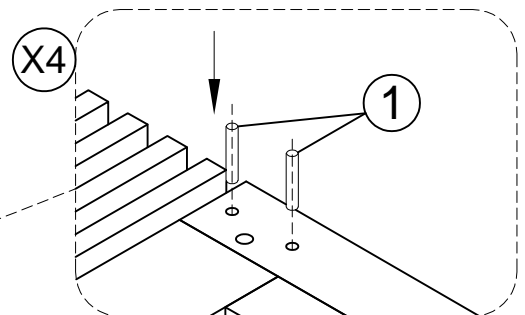
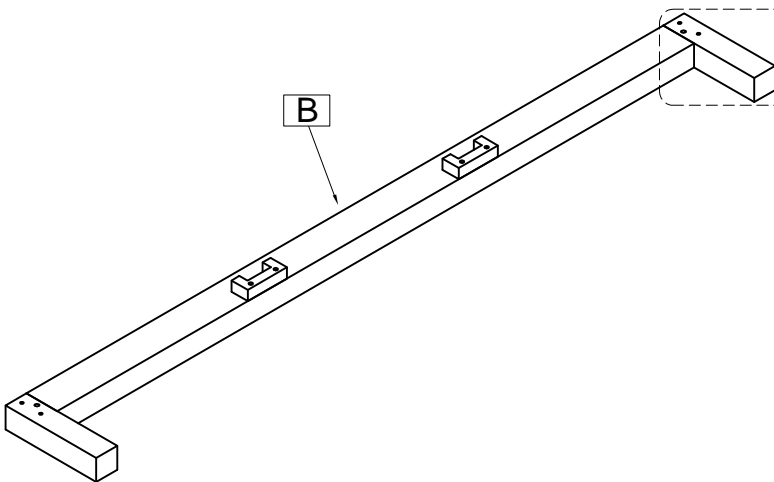
TANNER CAL KING BED ASSEMBLY INSTRUCTIONS



STEP #1:



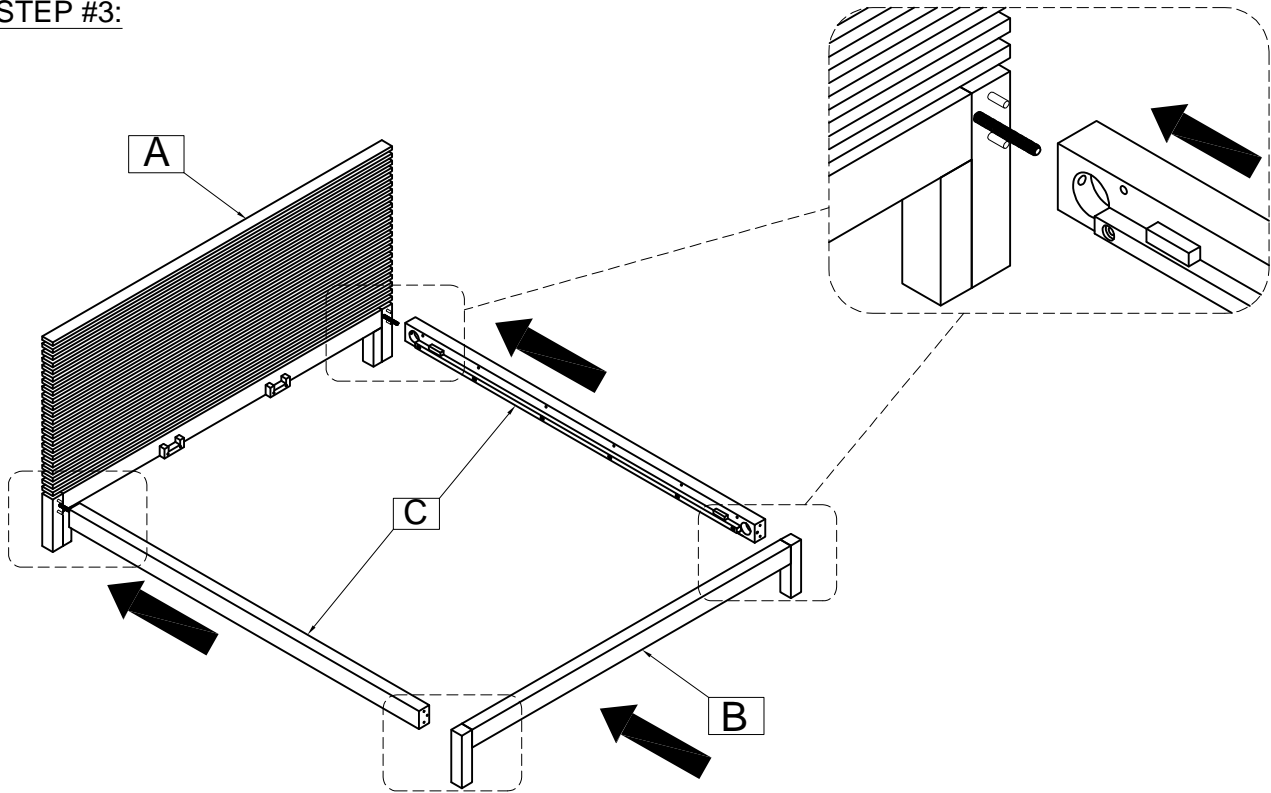
STEP #2:



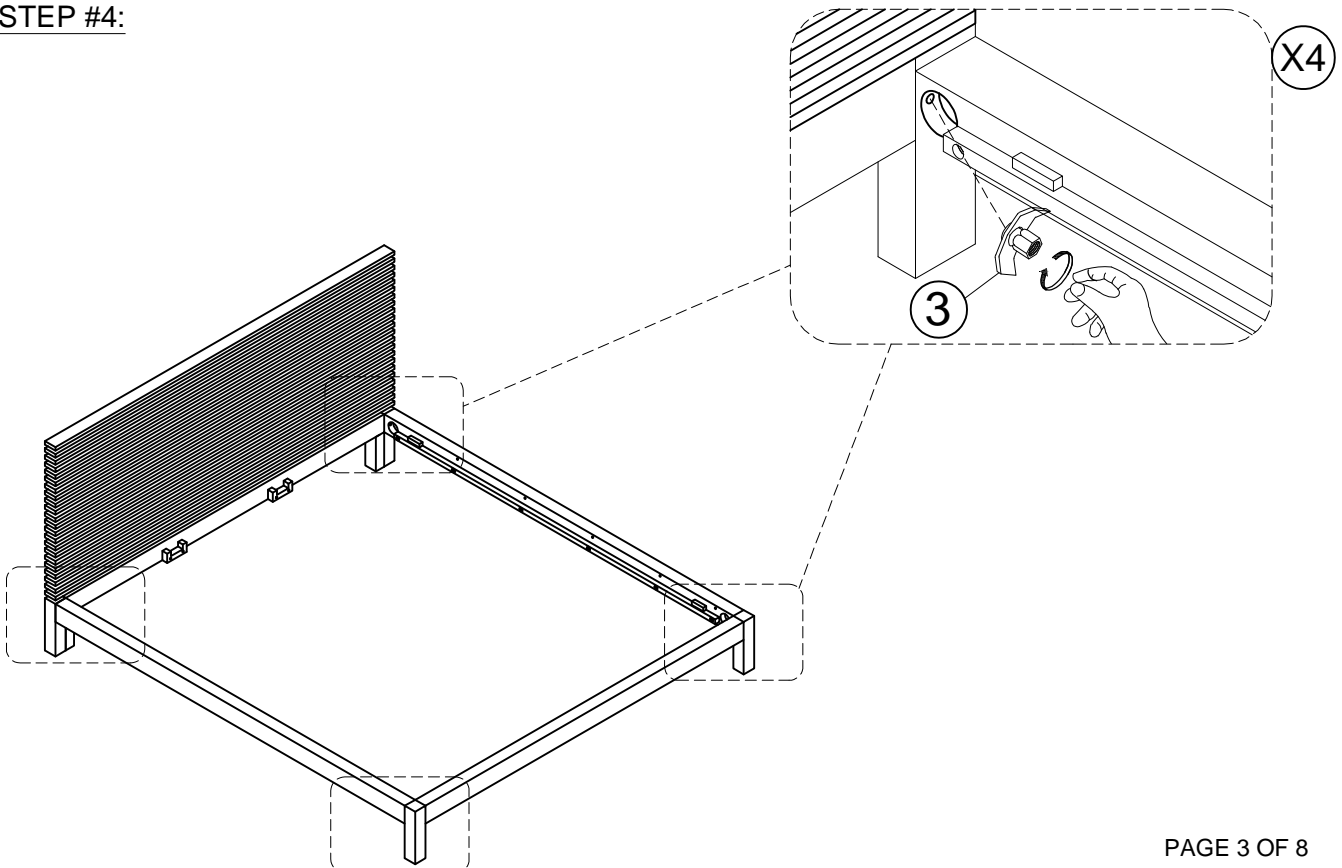
TANNER CAL KING BED ASSEMBLY INSTRUCTIONS



STEP #3:



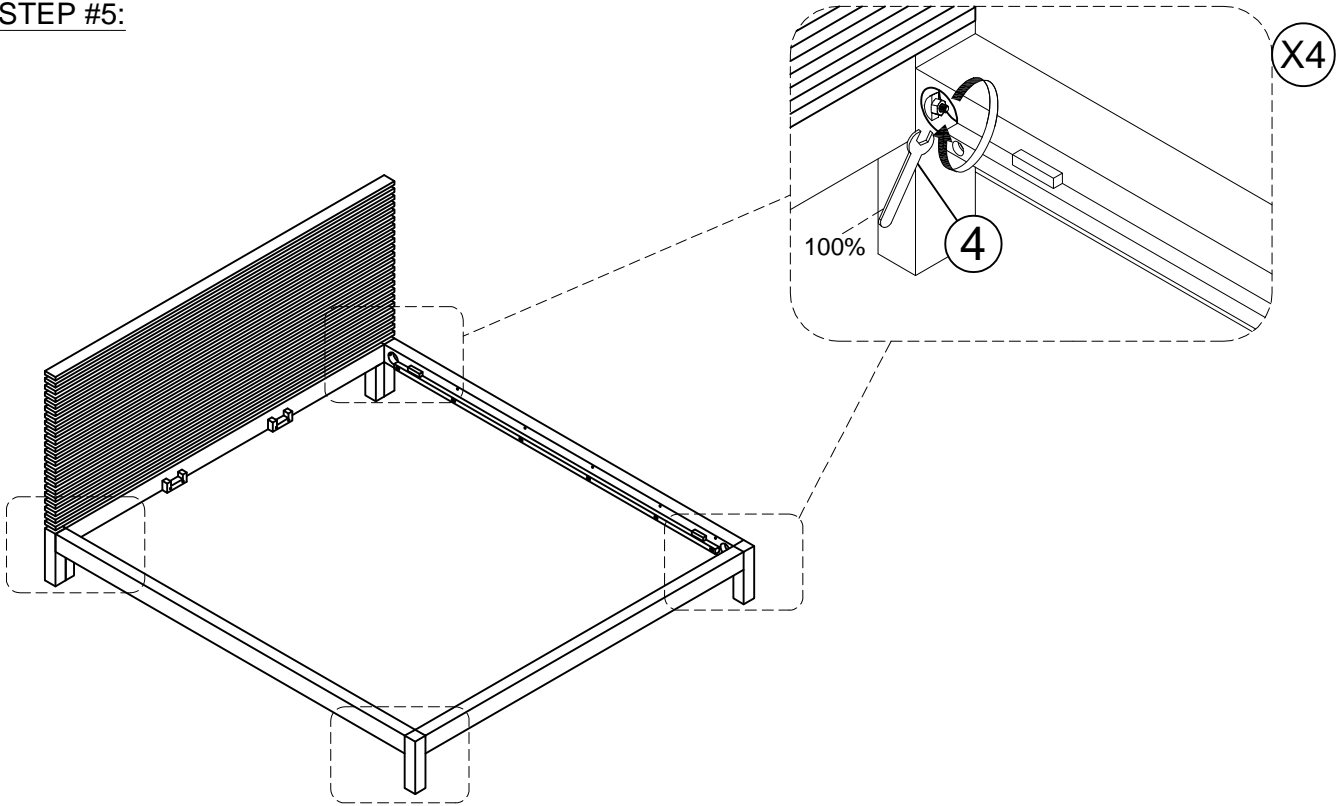
STEP #4:



TANNER CAL KING BED ASSEMBLY INSTRUCTIONS



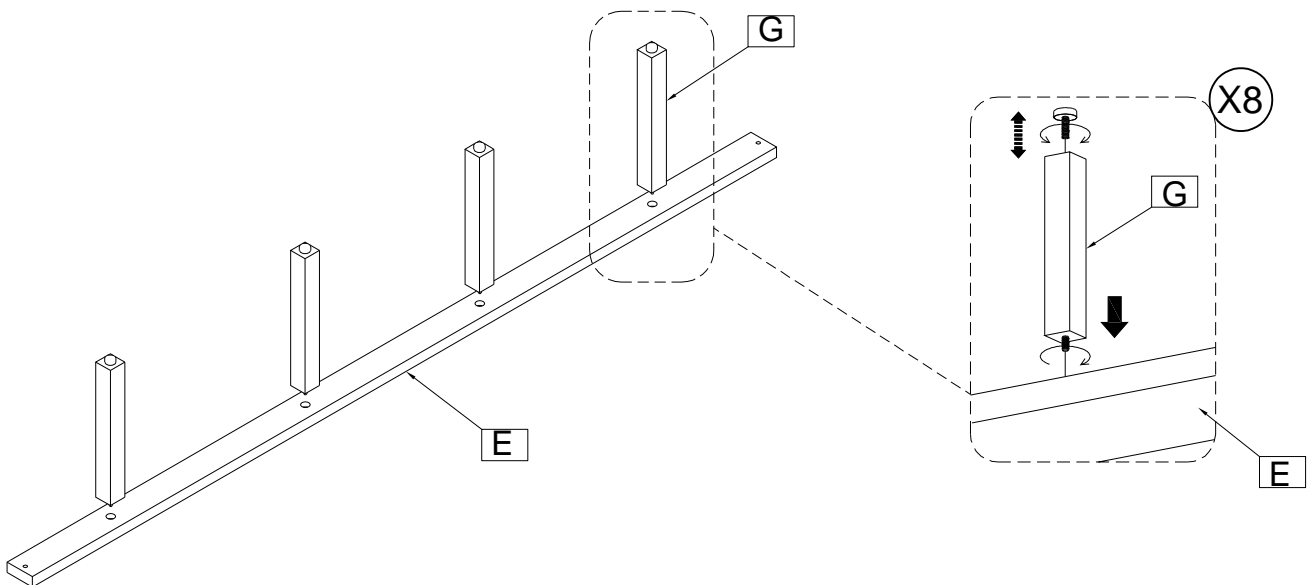
STEP #5:



STOP

- * IF USING BED FRAME WITH ADJUSTABLE MATTRESS BASE, SKIP TO APPENDIX A: ADJUSTABLE MATTRESS BASE ASSEMBLY SUPPLEMENT.
- * IF USING BED FRAME WITH STANDARD BOX SPRING OR FOUNDATION CONTINUE TO STEP 6.

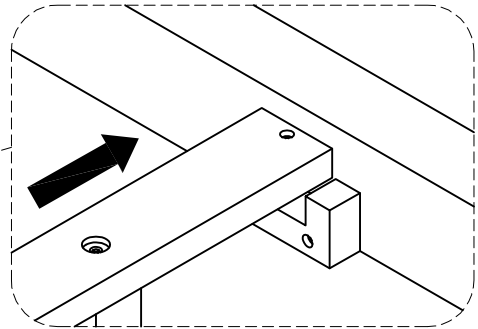
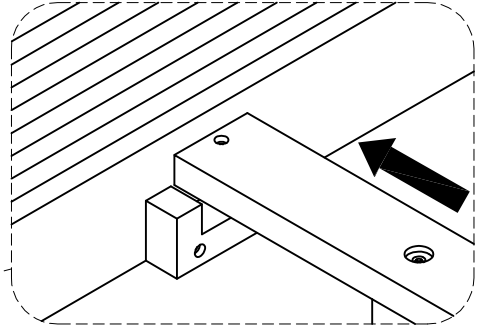
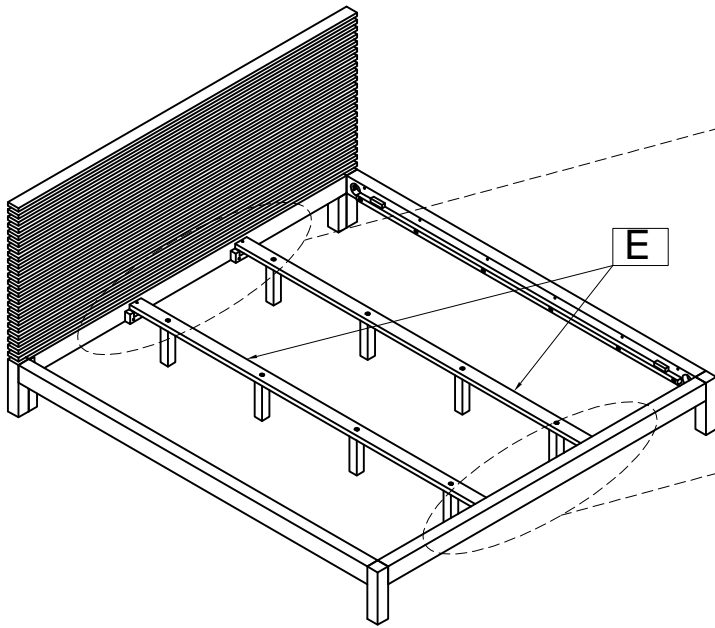
STEP #6:



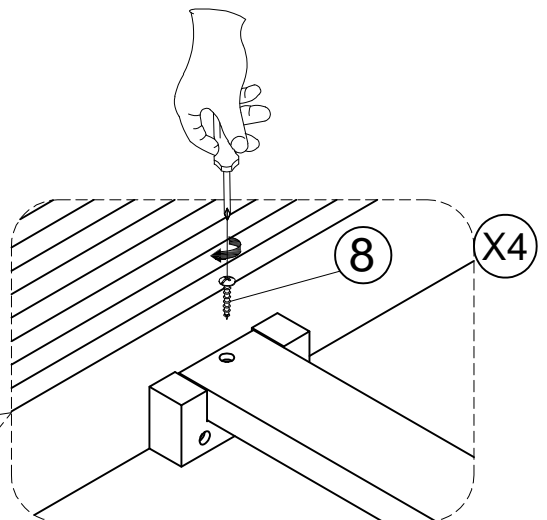
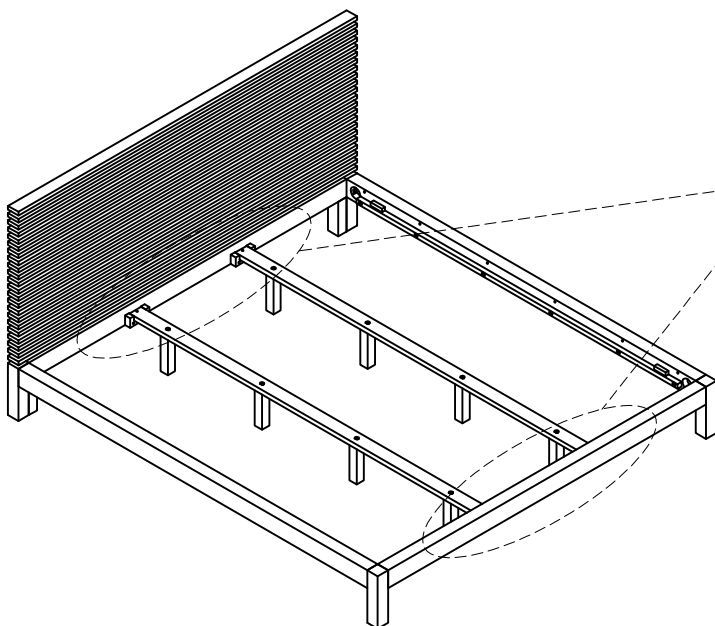
TANNER CAL KING BED ASSEMBLY INSTRUCTIONS



STEP #7:



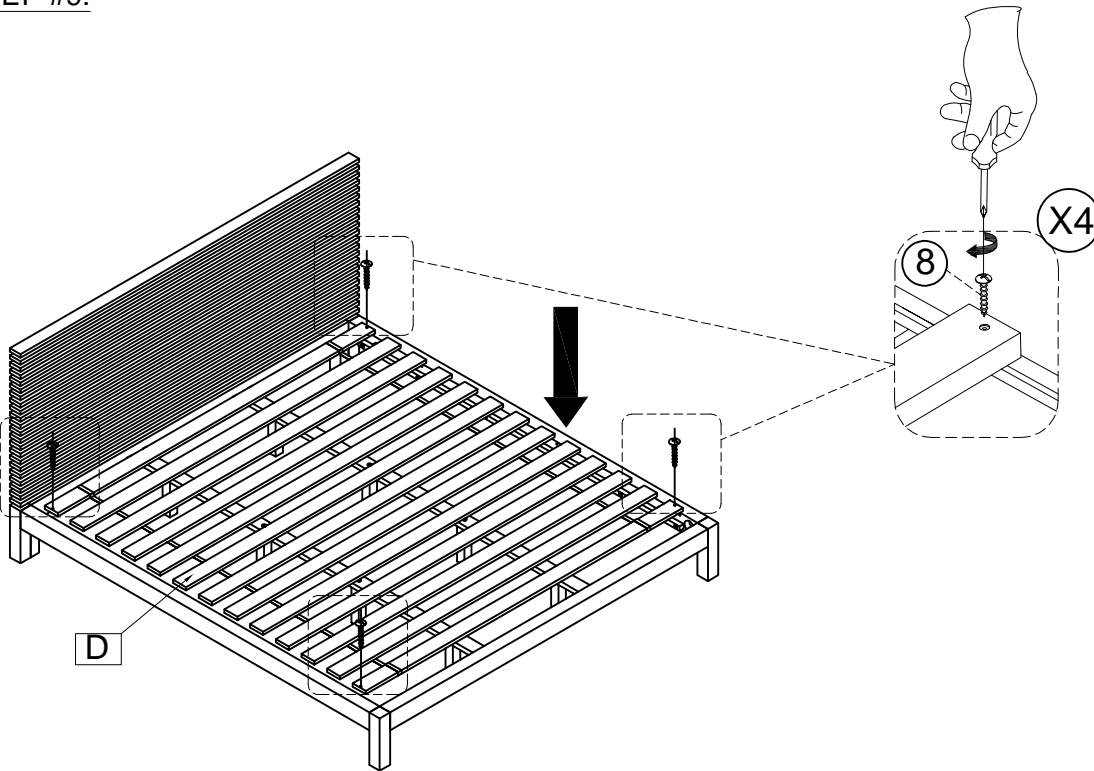
STEP #8:



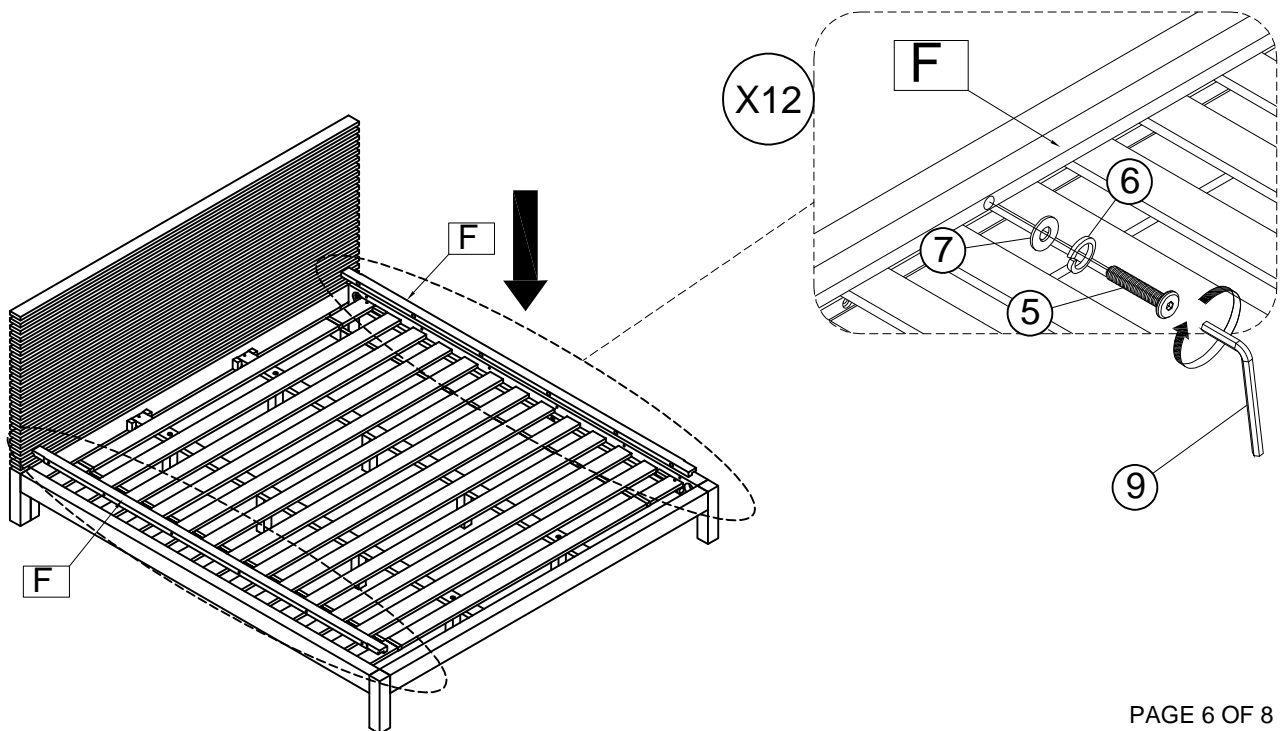
TANNER CAL KING BED ASSEMBLY INSTRUCTIONS



STEP #9:



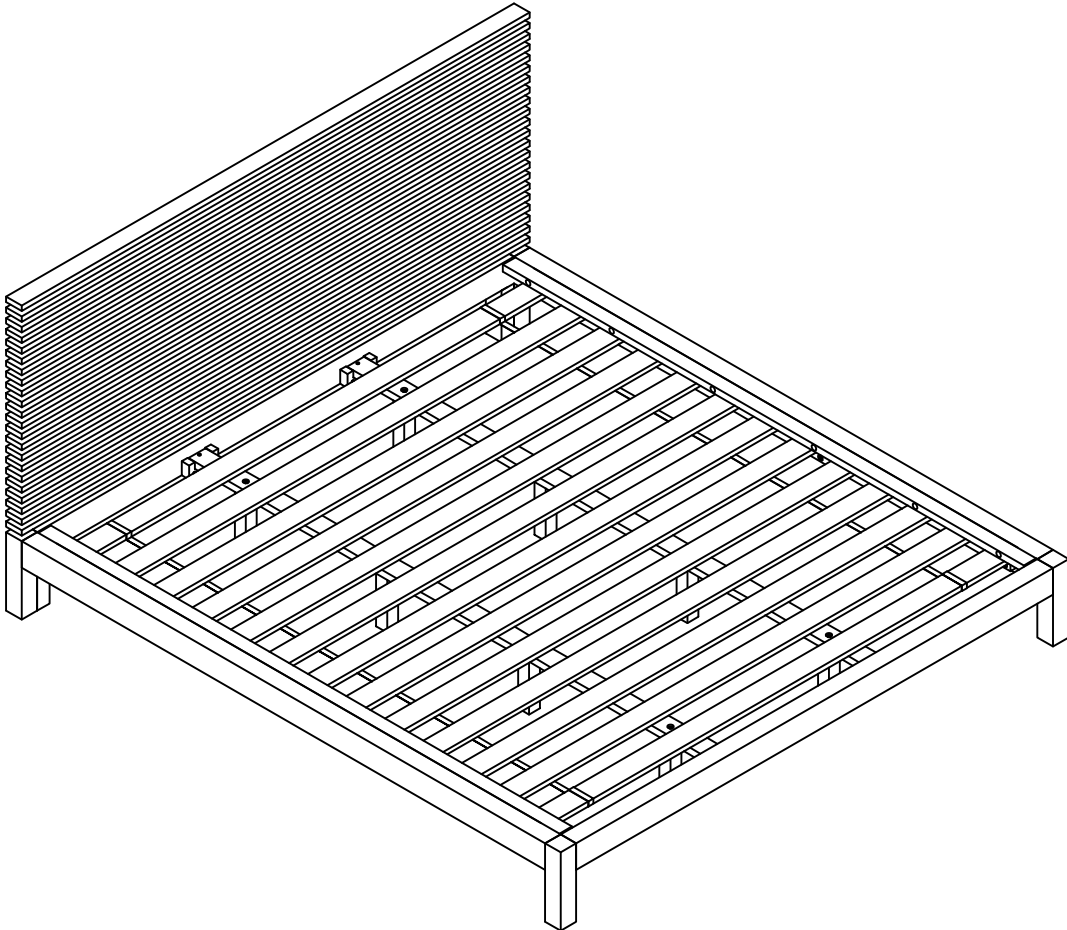
STEP #10:



TANNER CAL KING BED ASSEMBLY INSTRUCTIONS



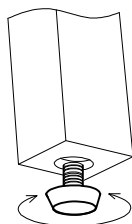
STEP #11:



ASSEMBLY COMPLETE

INSTRUCTIONS FOR ADJUSTING LEVELER:

- POSITION THE BED IN YOUR SPACE AND LOCATE THE LEVELER UNDER EACH SUPPORT LEG.
- TURN THE LEVELER COUNTER- CLOCKWISE TO EXTEND THE LEVELER AND CLOCKWISE TO RETRACT IT.
- ADJUST EACH LEVELER UNTIL EACH SUPPORT LEG IS APPLYING EQUAL, UPWARD PRESSURE ON THE BED SUPPORT SLAT.



MAINTENANCE INSTRUCTIONS:

- PERIODICALLY CHECK ALL FITTINGS AND TIGHTEN IF NECESSARY, AS THEY CAN LOOSEN OVER TIME.
- ALWAYS REMOVE BOX SPRING AND MATTRESS BEFORE MOVING THE BED.
- LIFT THE BED WHEN MOVING IT. DRAGGING THE BED CAN DAMAGE THE CENTER SUPPORT.
- READJUST LEVELERS AFTER MOVING THE BED.

TANNER CAL KING BED ASSEMBLY INSTRUCTIONS



APPENDIX A: ADJUSTABLE MATTRESS BASE ASSEMBLY SUPPLEMENT

AN ADJUSTABLE MATTRESS BASE IS A FREESTANDING MATTRESS SUPPORT THAT SITS WITHIN THE PERIMETER OF THE BED FRAME.

IF USING THIS BED FRAME WITH A STANDARD BOX SPRING OR FOUNDATION THESE INSTRUCTIONS DO NOT APPLY.

PRE-ASSEMBLED SIDE RAIL CLEATS OBSTRUCT ADJUSTABLE BASE INSTALLATION AND OPERATION.

FOLLOW THESE INSTRUCTIONS TO REMOVE THEM.

THE FOLLOWING PARTS ARE NOT REQUIRED FOR ADJUSTABLE MATTRESS BASE INSTALLATION:

D. SLAT ROLL 1 SET

E. CENTER SLAT SUPPORT 2 PCS

F. MATTRESS SPACER 2 PCS

G. SUPPORT LEG 8 PCS

5. ALLEN BOLT (1/4"x50mm) 12 PCS

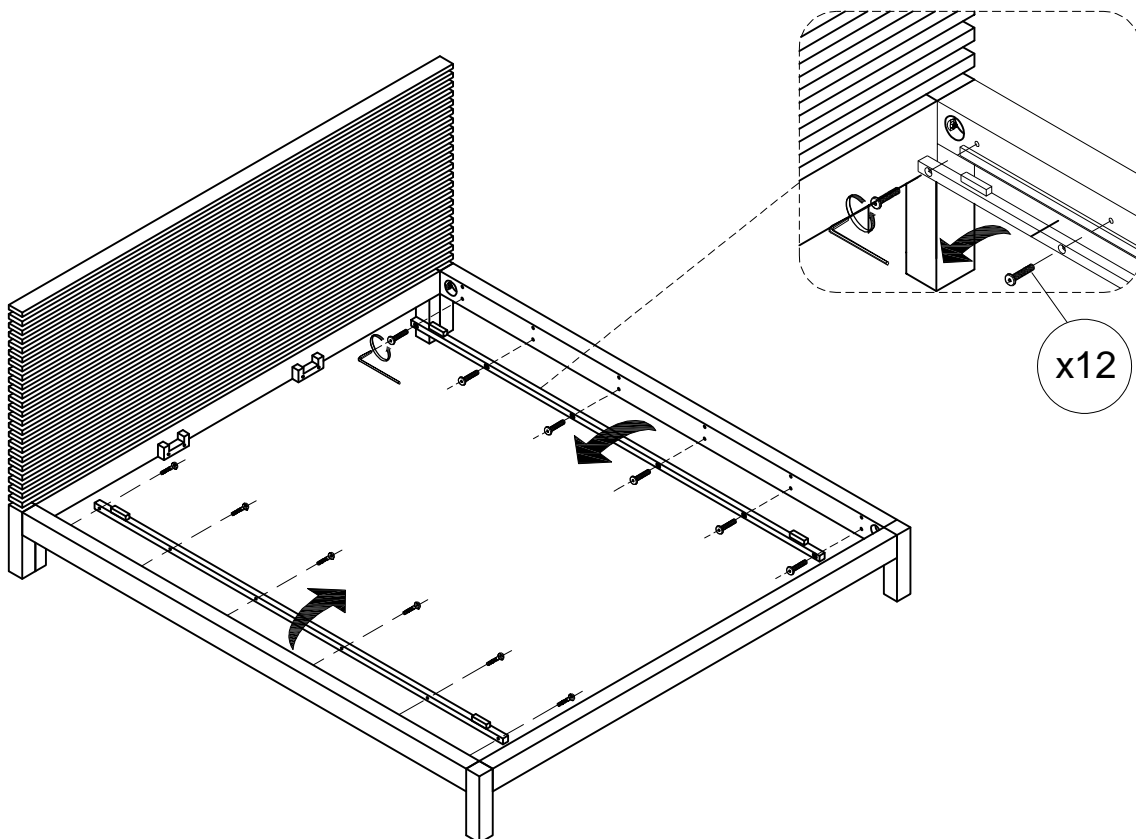
6. LOCK WASHER (5/16"x2mm) 12 PCS

7. FLAT WASHER (8x19mm) 12 PCS

8. WOOD SCREW (4x30MM) 8 PCS

STEP 1:

USE ALLEN KEY (9) IN BOX #2 TO UNSCREW ALLEN BOLTS AND REMOVE PRE-ASSEMBLED SIDE RAIL CLEATS.



NOTE: YOU MAY WISH TO RETAIN UNUSED PARTS IF IN THE FUTURE YOU INTEND TO USE THE BED FRAME WITH A STANDARD BOX SPRING OR FOUNDATION