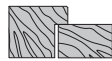
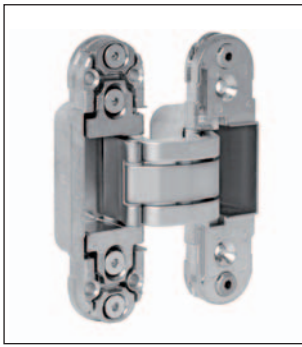


# Eclipse 2.0 - adjustable concealed hinge with frame part reduced



### Description

Reversible concealed hinge with a frame part reduced to 20 mm. Eclipse 2.0 is adjustable on 3 axis and allows a 180° opening. The hinge can be used with the door closer.

### Capacity

40 kg with 2 hinges, 60 kg with 3 hinges.

**Note.** Consult the document "Positioning and application fields" to determine the

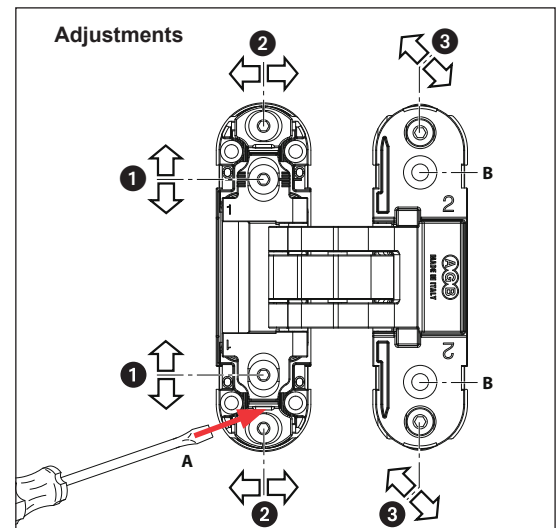
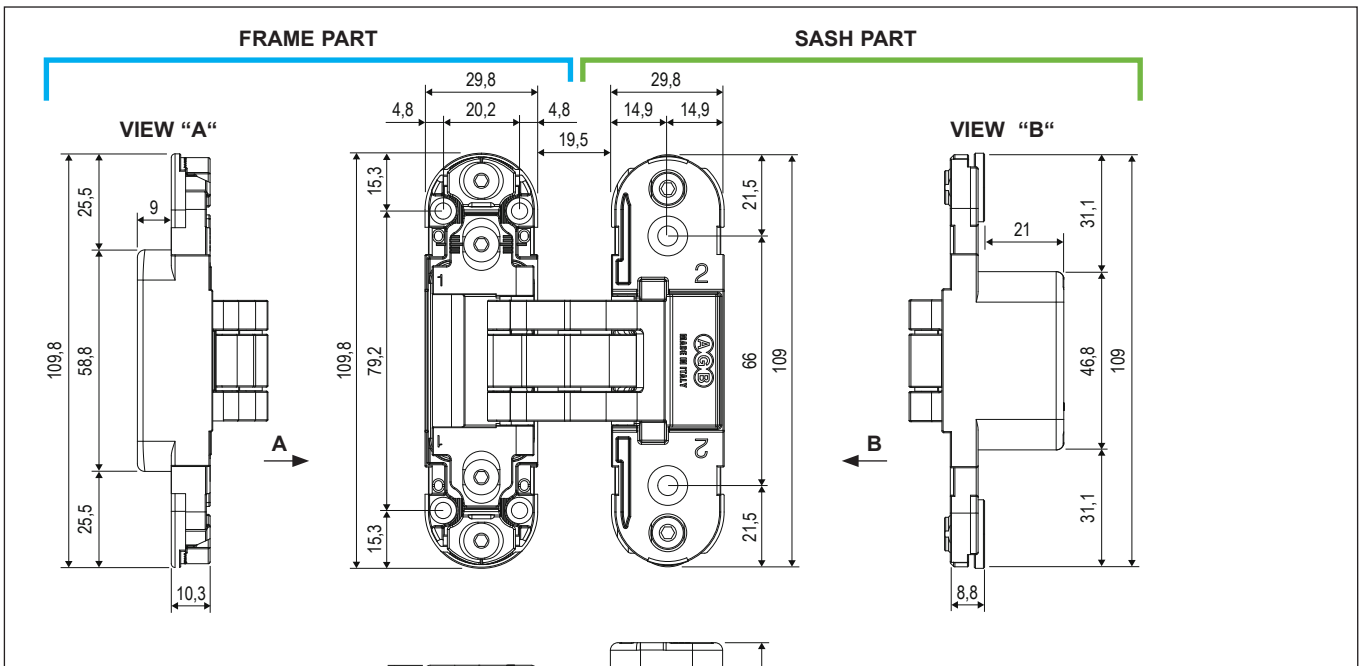
number of hinges required based on the weight, dimensions of the sash, and any third-party accessories.

### Fastening

Perform pre-holes. Mill sash and frame as indicated in the picture and fasten the hinge with  $\varnothing 5$  mm screws of a suitable length for the sash part and with  $\varnothing 4$  mm screws of a suitable length for the frame part.



EN 1634



Please adjust the hinges with a 3 mm Allen key, as indicated here below:

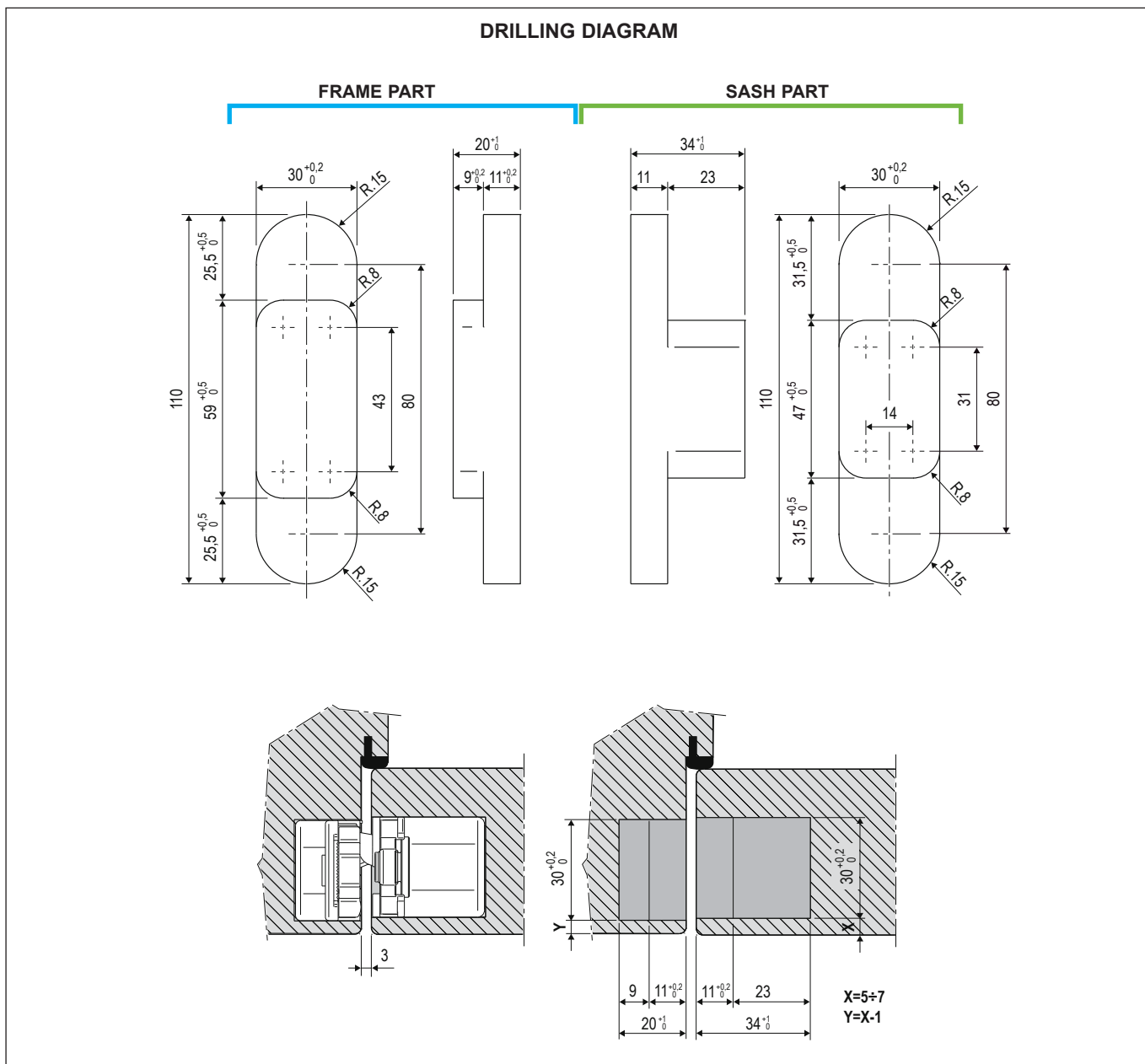
- $\pm 2$  mm vertical adjustment: loosen the screws 1 to get the desired adjustment helping yourself with a flat-bladed screwdriver (A) or a wedge which is suitable for Eclipse hinges, art. E30200.89.01. After this operation fasten the screws.
- $\pm 1$  mm pressure adjustment: loosen the screws 2.
- $\pm 1,5$  mm horizontal adjustment: once loosened screws (B) adjust screws 3.

### Covers available

FRAME	SASH

**Plastic material:**  
Art. E30200.20.XX

# Eclipse 2.0 - adjustable concealed hinge with frame part reduced



## Order specifications

Material	Article
ZAMAK	E30200.03.XX

**Note.** Refer to the price list in force to check the availability of the finishes.