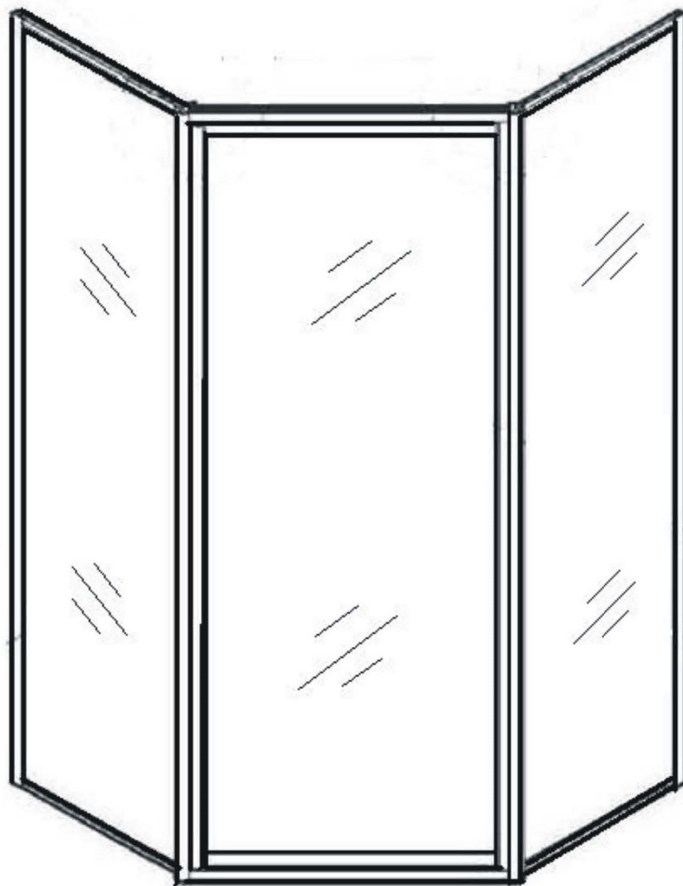


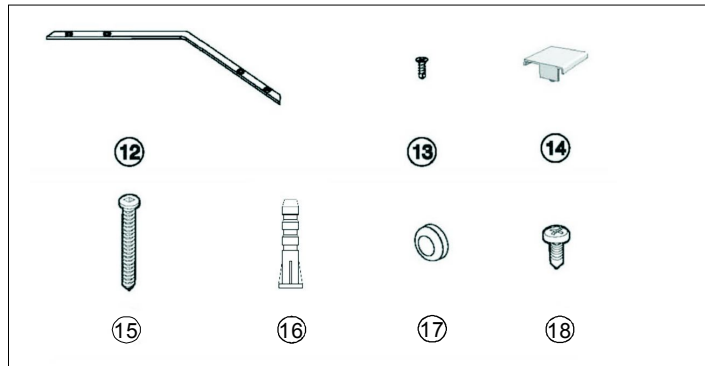
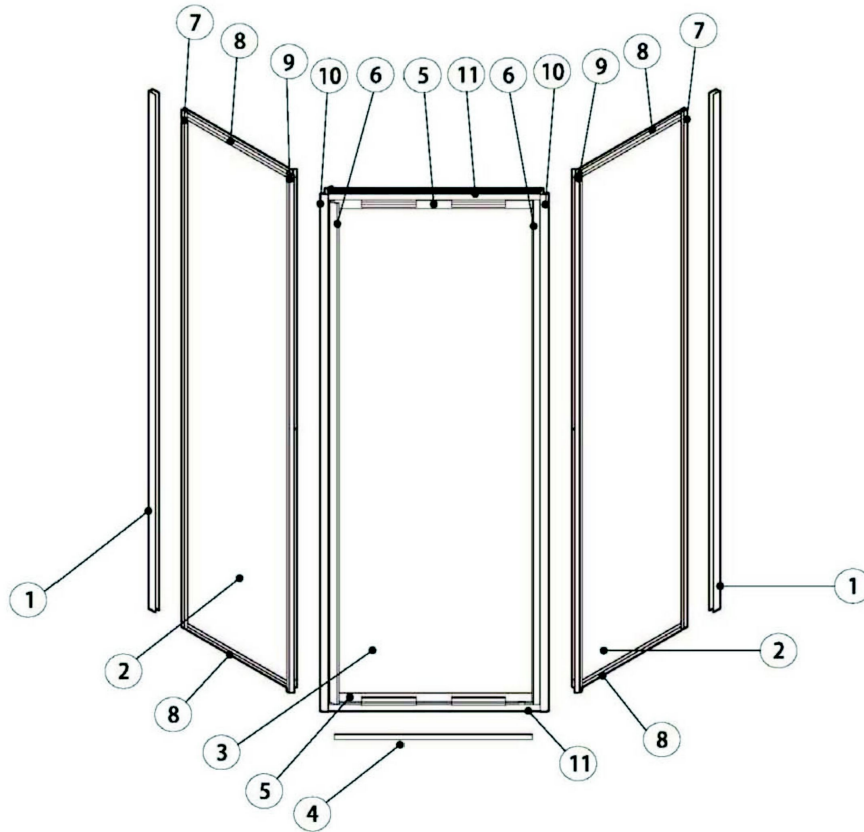
---

# NEO-ANGLE

## Installation Manual

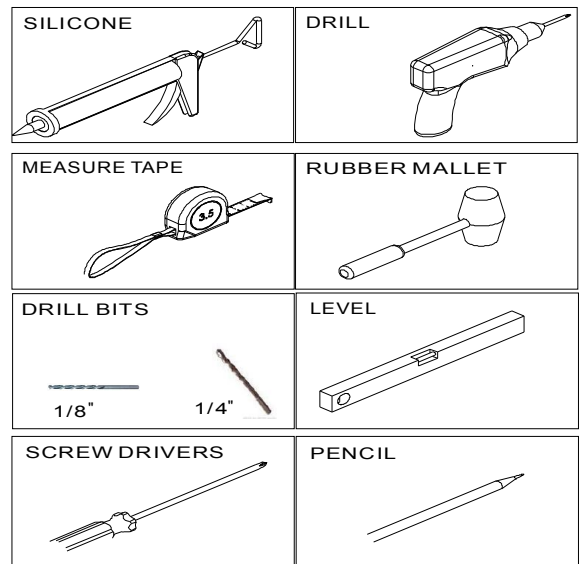
**READ THE INSTRUCTIONS CAREFULLY**, familiarize yourself with all the parts as shown in the exploded view. The exploded view will also provide a helpful reference when relating to the location of the various parts and how they are mounted.

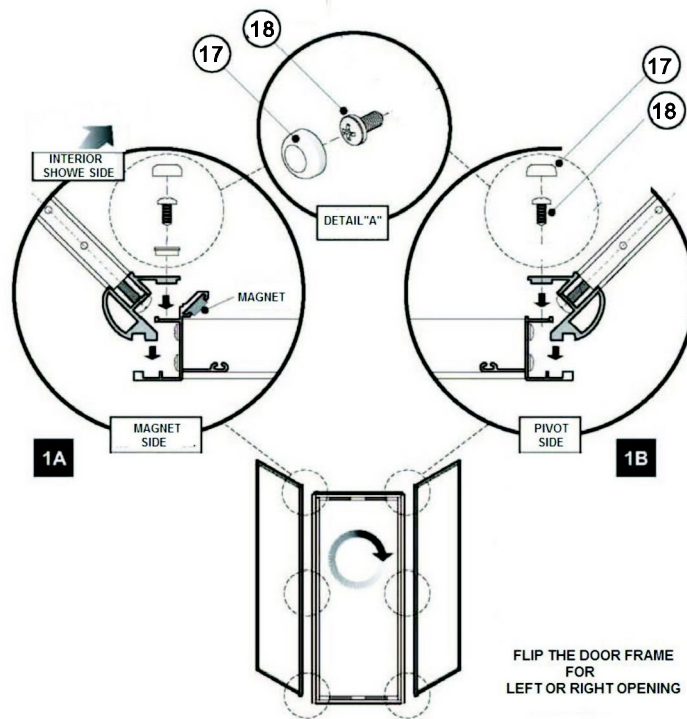




ITEM	PARTS LIST	QTY
1	WALL JAMB	2
2	FIXED PANEL	2
3	DOOR PANEL	1
4	SPLASH GUARD	1
5	FRAMED VERTICAL DOOR PANEL	2
6	FRAMED HORIZONTAL FIXED PANEL	2
7	FRAMED VERTICAL FIXED PANEL	2
8	FRAMED HORIZONTAL FIXED PANEL	4
9	FRAMED CONNECTOR FIXED PANEL	2
10	FRAMED VERTICAL SUPERIER FOR DOOR PANEL	2
11	FRAMED HORIZONTAL SUPERIER FOR DOOR PANEL	2
12	ANGLE DE RENFORT	2
13	SCREW 4x12	8
14	WALL JAMB CAP	4
15	SCREW 4 x 38	6
16	WALL PLUG	6
17	SCREW CAP	12
18	SCREW 4 x 15	6

• TOOLS.

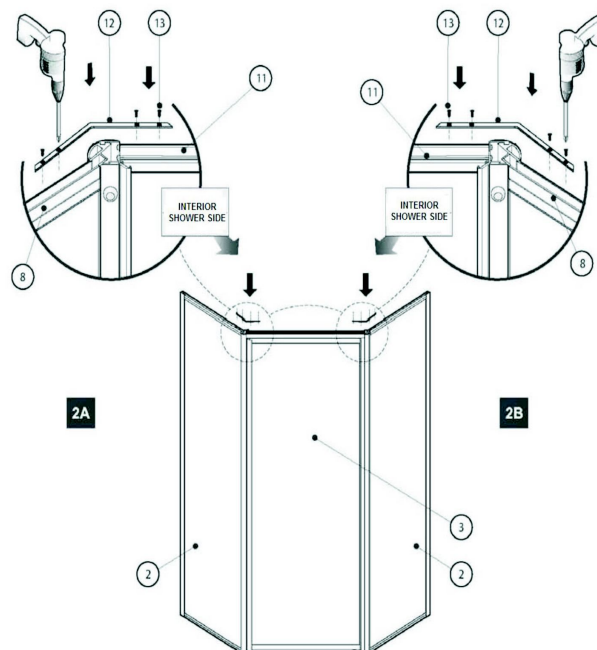




**1** INSTALL 1A and 1B

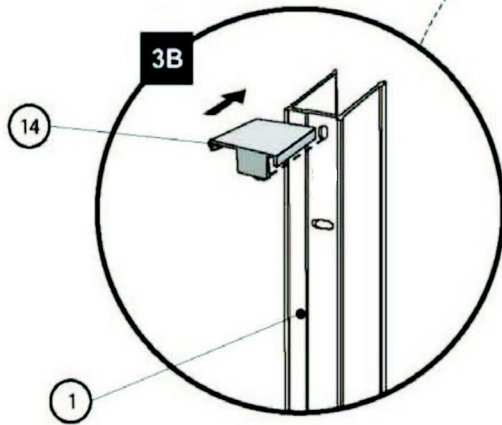
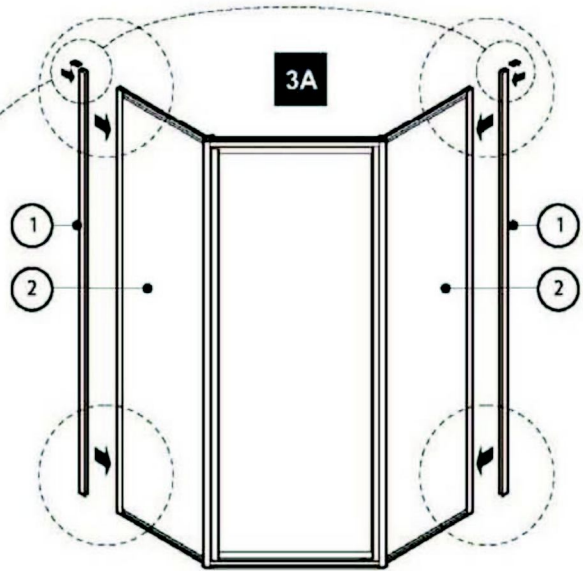
**2** REINFORCE THE FRAME

2A-2B Insert angle bracket (#12) into top frame of the side panel (#8) attached to the top door frame (#11), by use screw (#13).



### 3 WALL JAMBS POSITIONING

3A. Insert wall jambs(#1) into assembly.



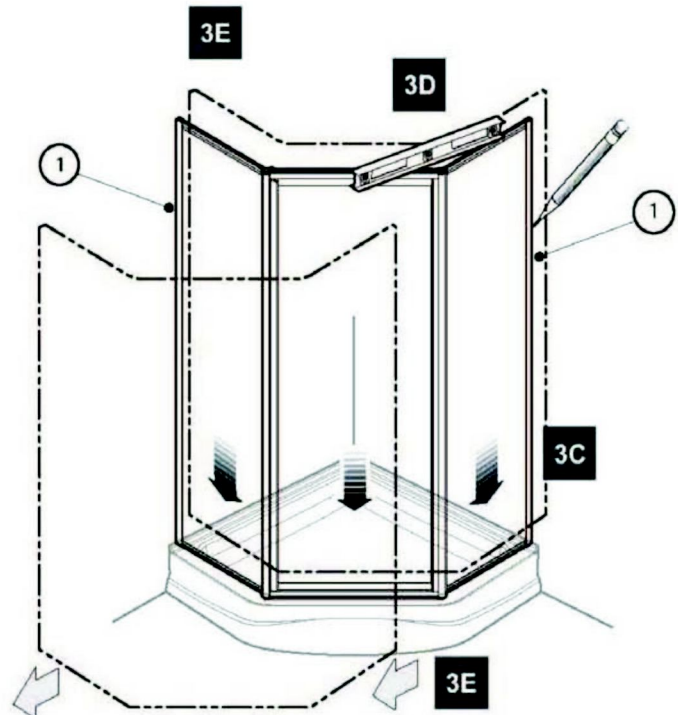
REPEAT ON BOTH SIDES

3B. Insert wall jambs cap(#1)

3C. Positioning and center the frame together with wall jambs(#1) onto threshold of shower base.

3D. Adjust and level the assembly.  
Trace outer edge of wall jambs(#1).

3E. Remove the assembly from base temporarily.



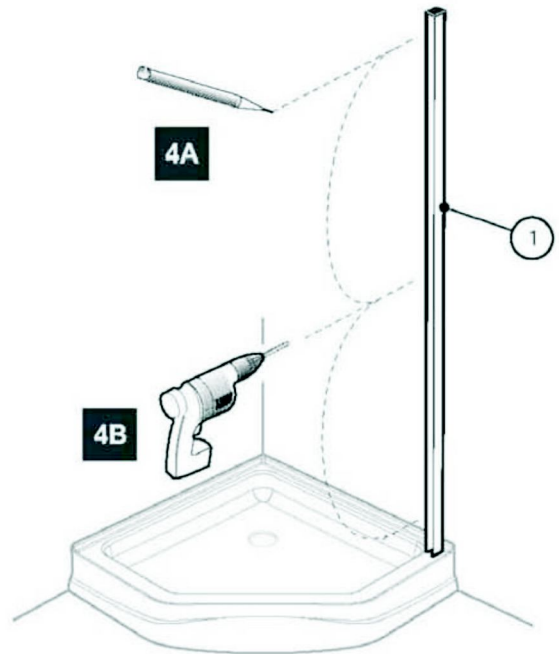
## 4 INSTALLING WALL JAMBS



When attaching your door to Fiberglass or Acrylic you must use a 1/8" drill bit and NO WALL ANCHORS.

**4A. Realign wall jamb. Mark drilling location. Remove the wall jamb temporarily(#).**

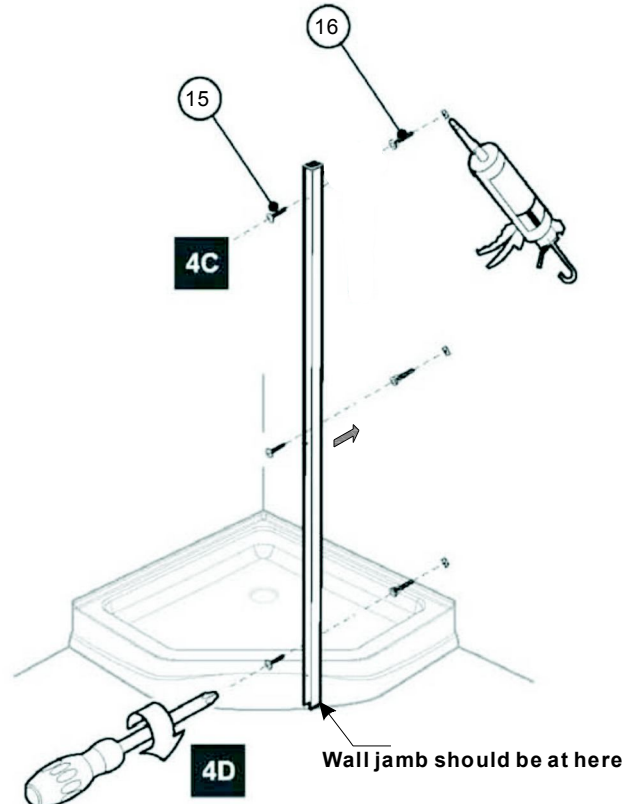
**4B. With a 1/4" drill bit, drill 4 holes into the wall using the marks as a guide**



**REPEAT ON BOTH SIDES**

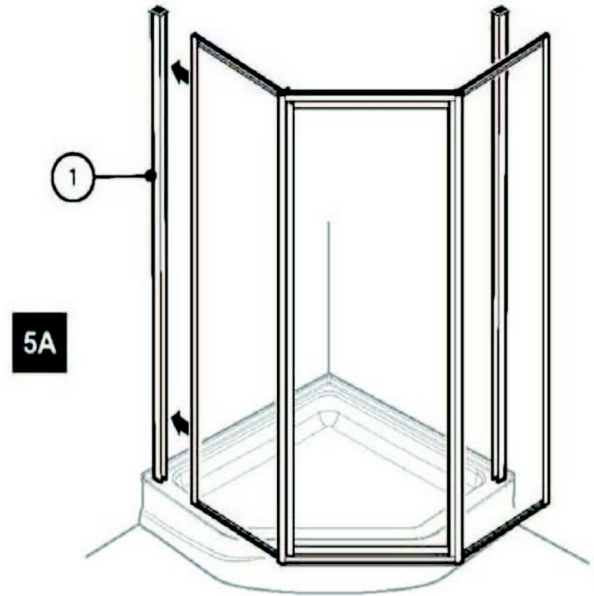
**4C. Insert 6 wall plugs(# 16) and put in each a drop of silicone.**

**4D. Fasten wall jamb with screw 4x 38mm (#15)**

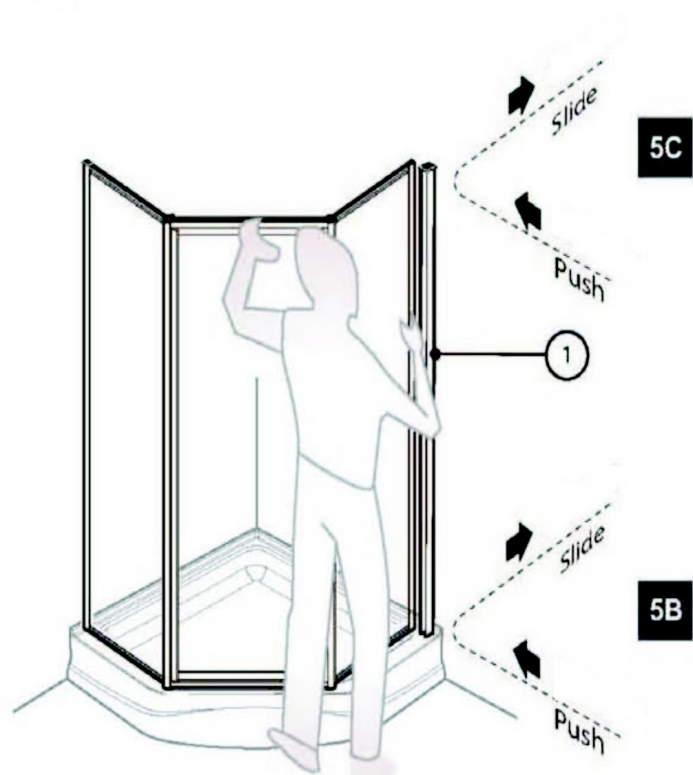


## 5 INSTALL THE SHOWER DOOR UNIT

5A. Insert one side of assembly into wall-jamb(#1) as shown.



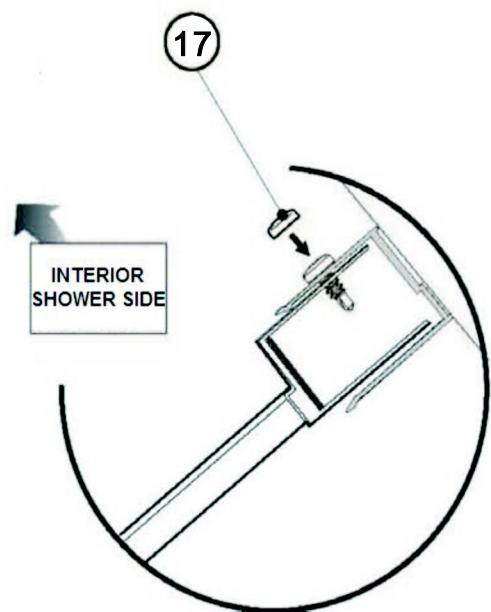
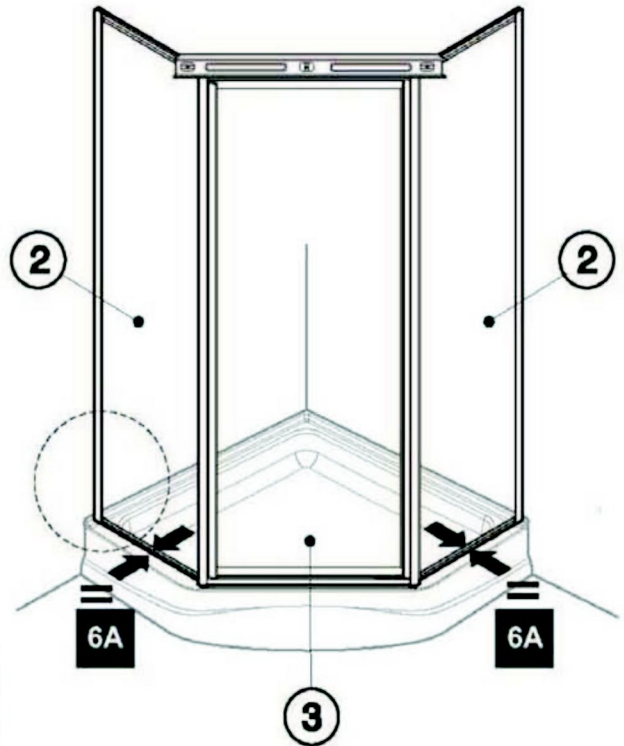
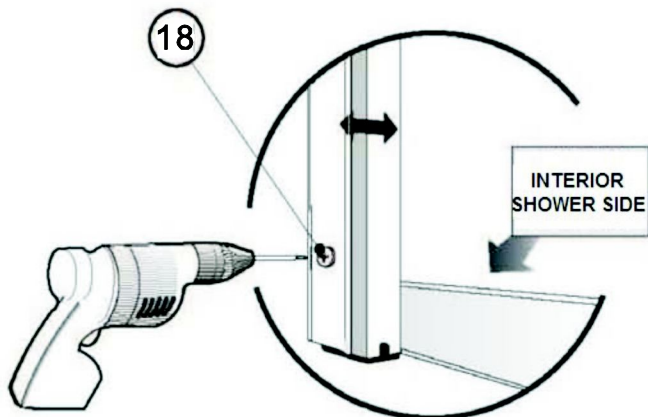
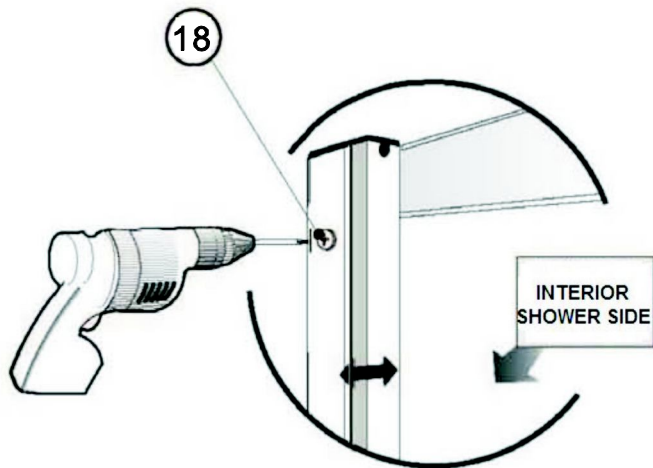
5B-5C. Engage the other side of assembly into wall jamb(#1)



## 6 SHOWER DOOR ADJUSTMENT

6A. Adjust assembly on the base.

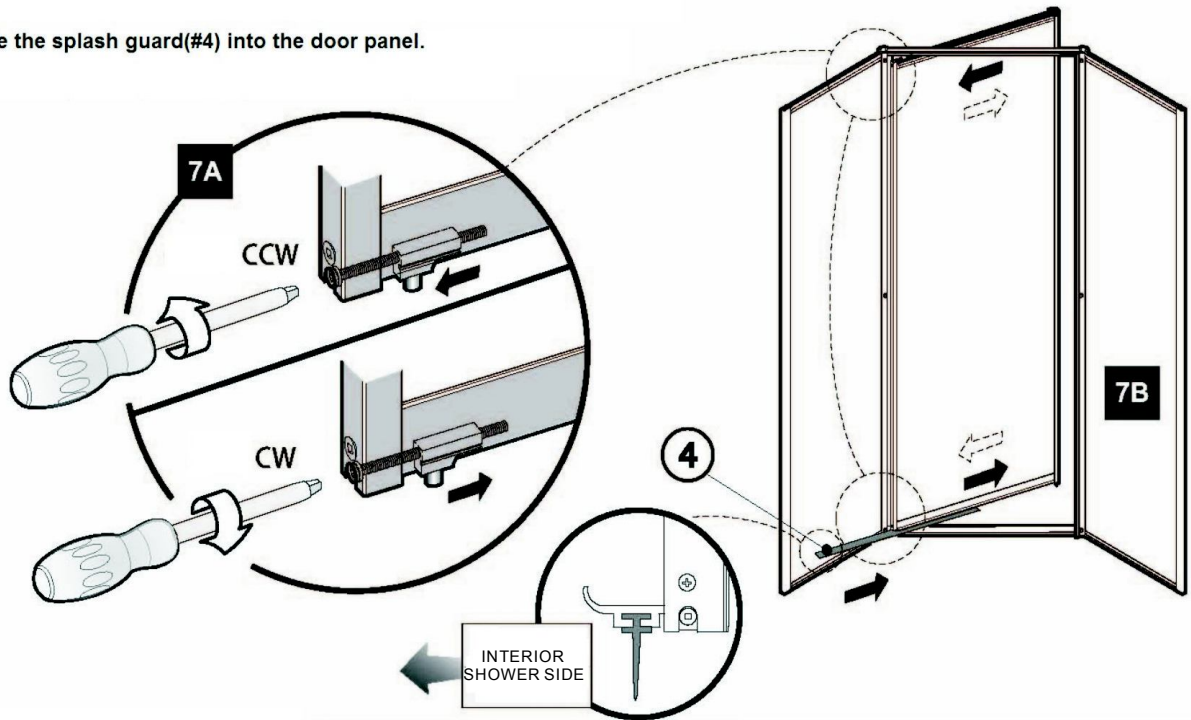
6B. Insert shower assembly into wall-jamb(#1) by securing with screws(#16).



## 7 SHOWER DOOR ADJUSTMENT

7A. If it is necessary adjust the door panel, with a phillips head screw driver.

7B. Slide the splash guard(#4) into the door panel.



## 8 SILICON SEAL THE SHOWER.

8A. Silicone exterior the bottom of the fixed panel(#8) and frame (#11) and along the wall jamba(#1).

24 Hours

