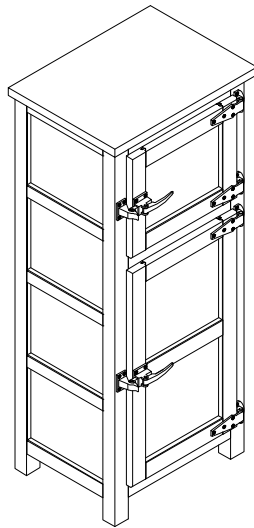


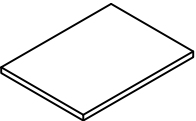
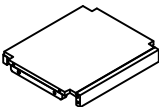


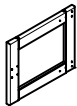
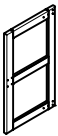
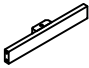
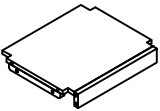
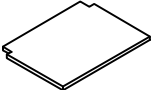

# Plow & Hearth

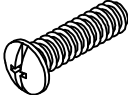
## 59Z93 Ice Box Cabinet

### Assembly Instruction

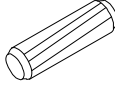



#### PARTS AND HARDWARE LIST

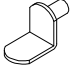
			
<b>A</b> Top: 1PC	<b>B</b> Back panel: 1PC	<b>C</b> Left Panel: 1PC	<b>D</b> Right Panel: 1PC
			
<b>E</b> Top Door: 1PC	<b>F</b> Lower Door: 1PC	<b>G</b> Front Rail: 1PC	<b>H</b> Fixed Shelf: 1PC
			
<b>I</b> Shelf: 2PCS	<b>J</b> Back Panel: 1PC		

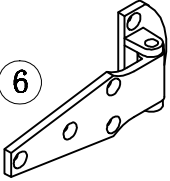
①   
Bolt (1/4" \* 1-1/4")  
QTY. 13

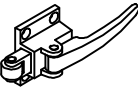
②   
Washer  
QTY. 13

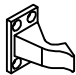
③   
Dowel  
QTY. 20

④   
Screw  
QTY. 20

⑤   
Shelf Pin  
QTY. 8

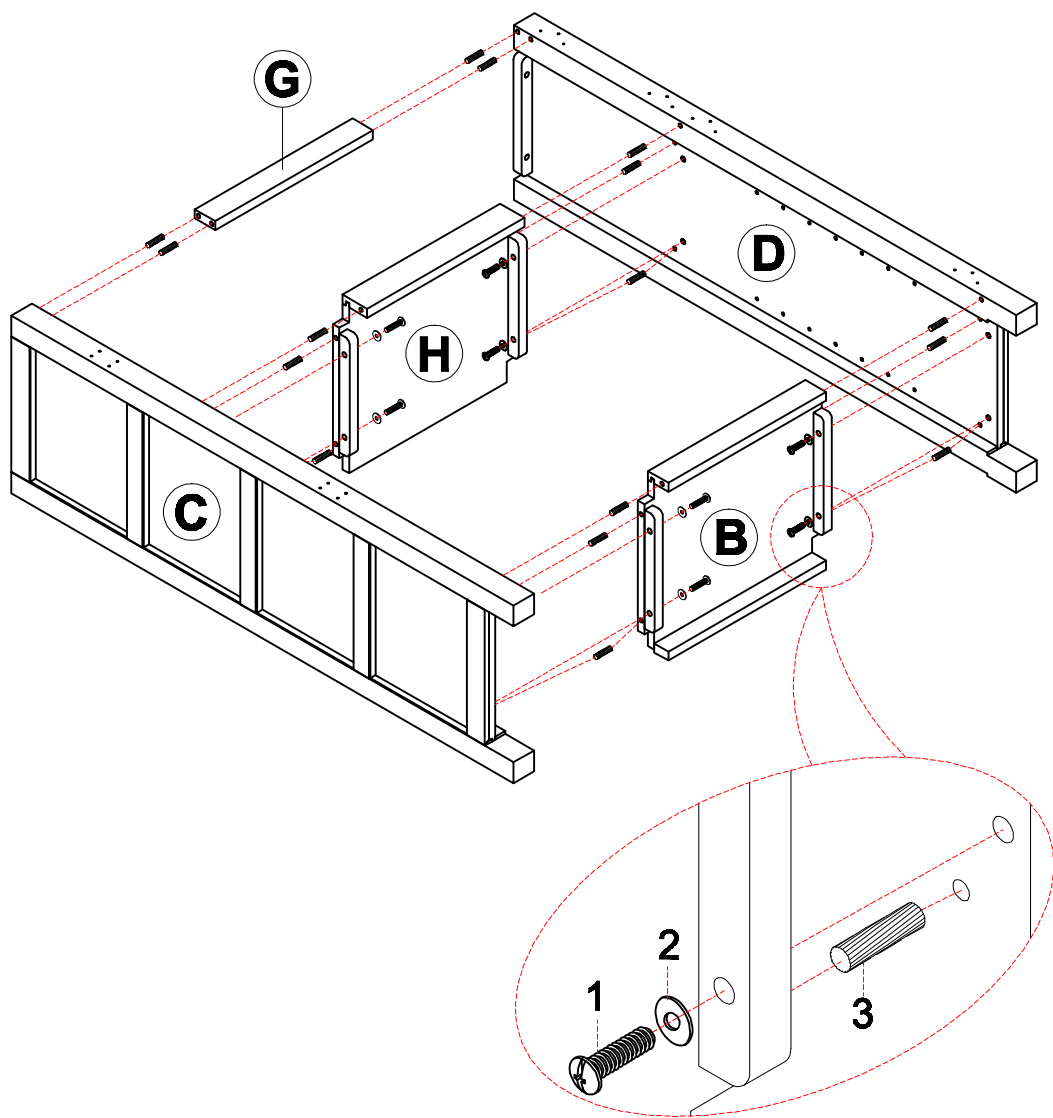
⑥   
Cabinet Door Hinge  
QTY. 4



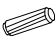
⑦   
Male Buckle  
QTY. 2

⑧   
Parent Lock  
QTY. 2

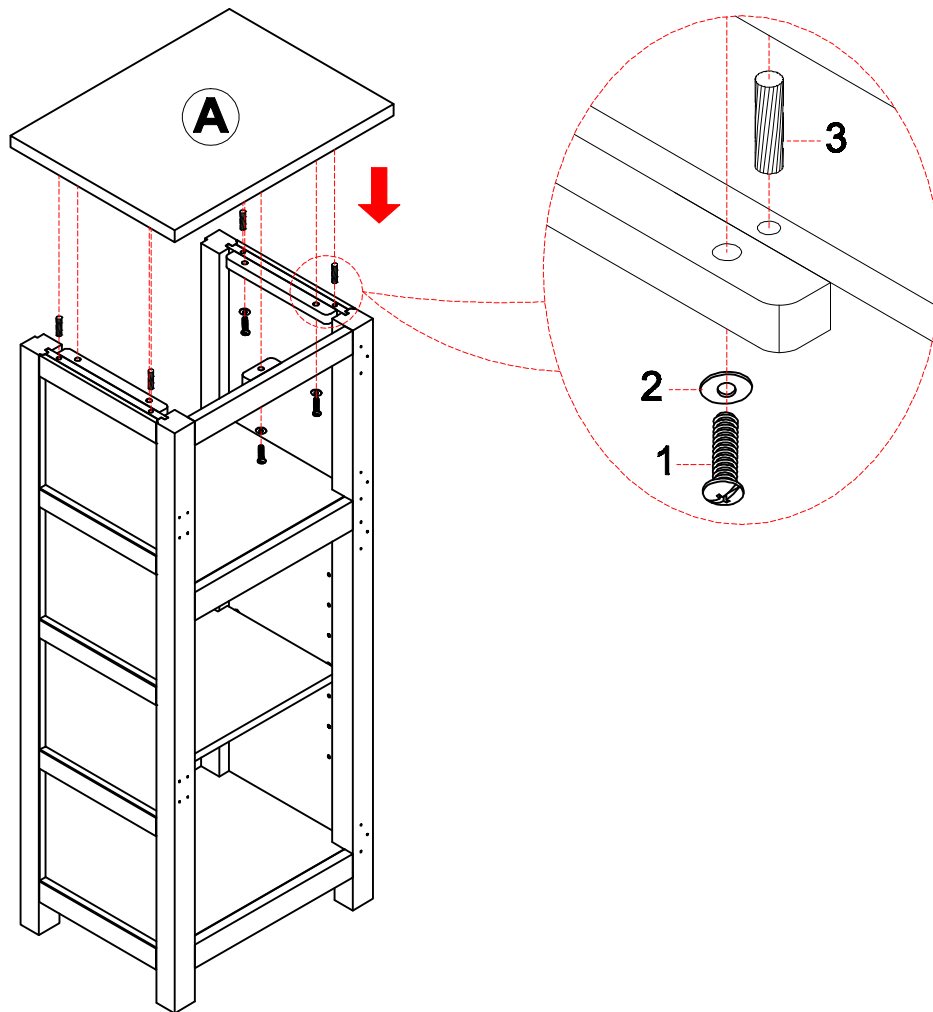
⑨   
Hinge Screw  
QTY. 44




# STEP 1



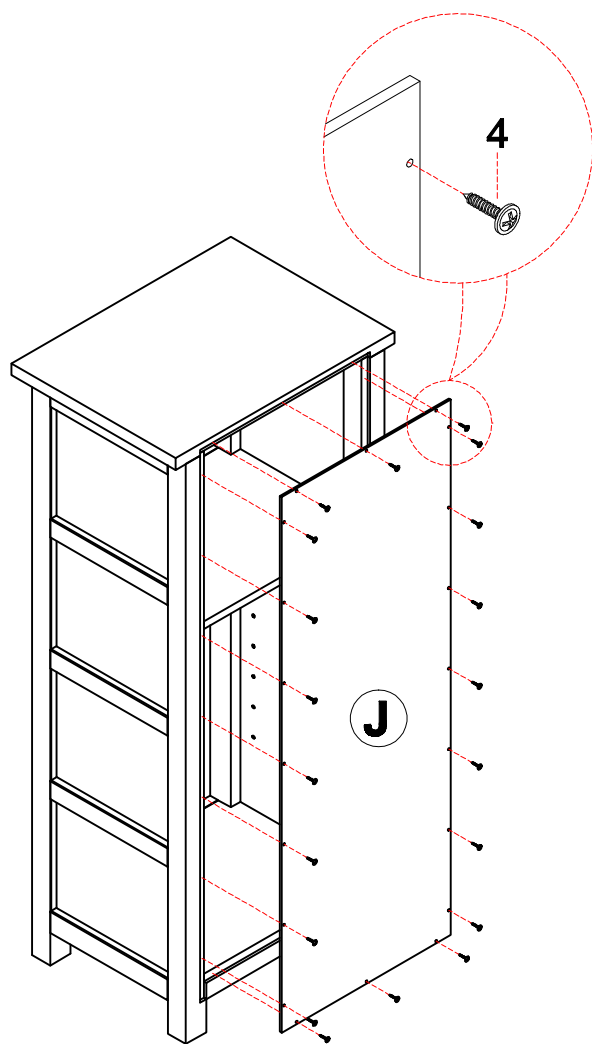
HARDWARE BAG				
1		ALLEN BOLT	1/4**1-1/4"	8PCS
2		FLAT WASHER	1/4**19MM	8PCS
3		WOOD PLUG	8*30MM	16PCS

# STEP 2

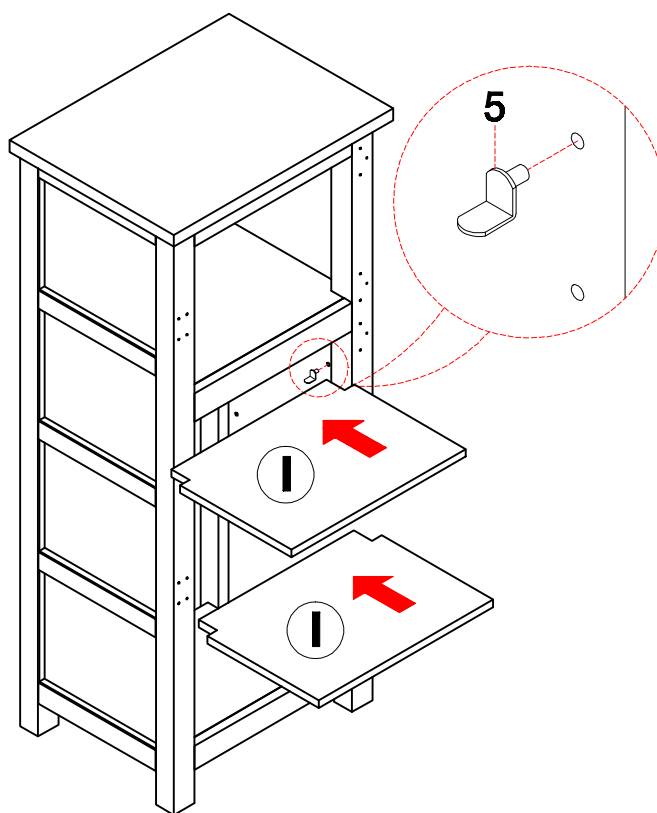


HARDWARE BAG				
1		ALLEN BOLT	1/4**1-1/4"	5PCS
2		FLAT WASHER	1/4**19MM	5PCS
3		WOOD PLUG	8*30MM	4PCS

# STEP 3



# STEP 4



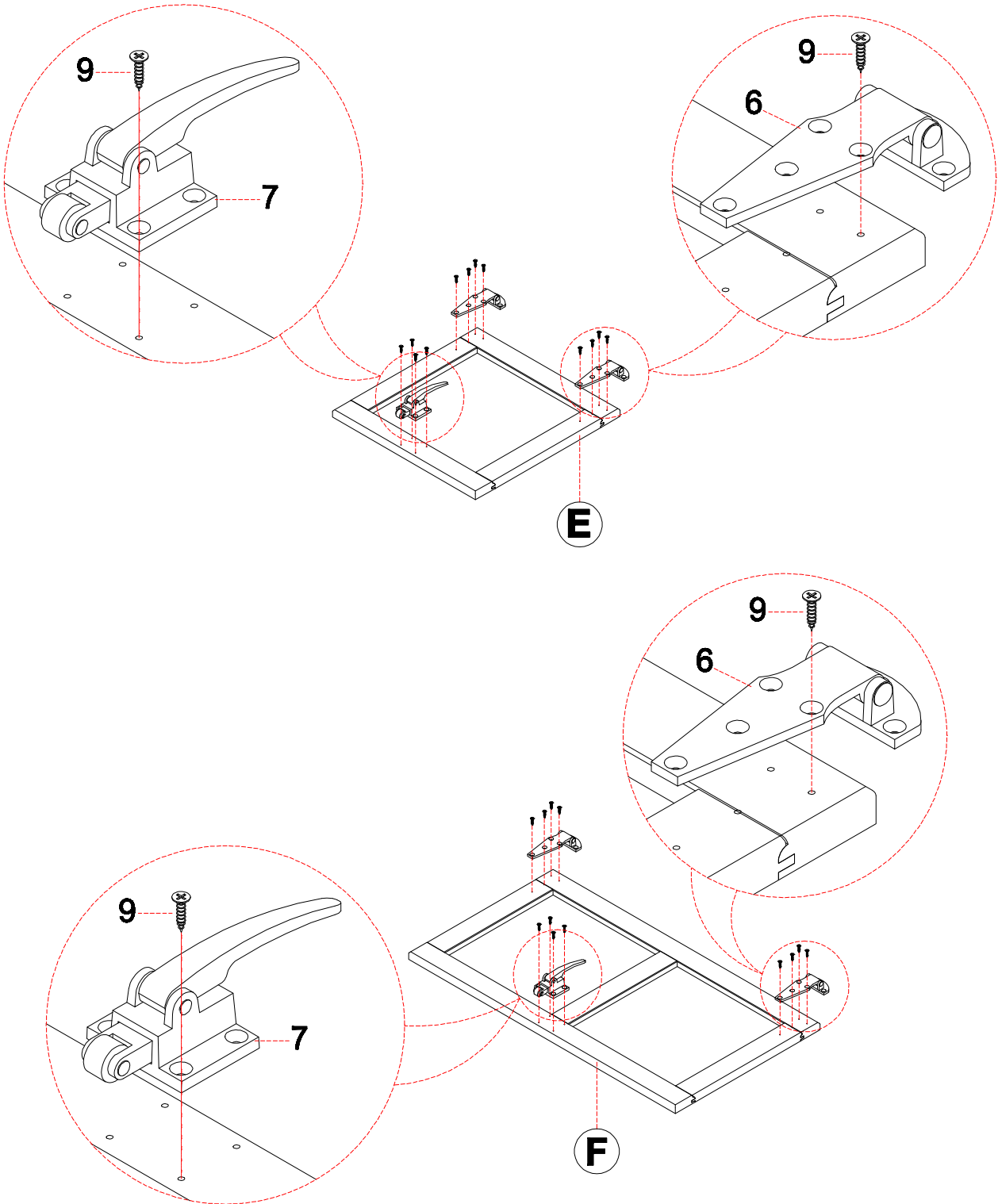
### HARDWARE BAG

4		SCREW	3*15MM	20PCS
---	---	-------	--------	-------




### HARDWARE BAG

5		SHELF PIN		8PCS
---	---	-----------	--	------

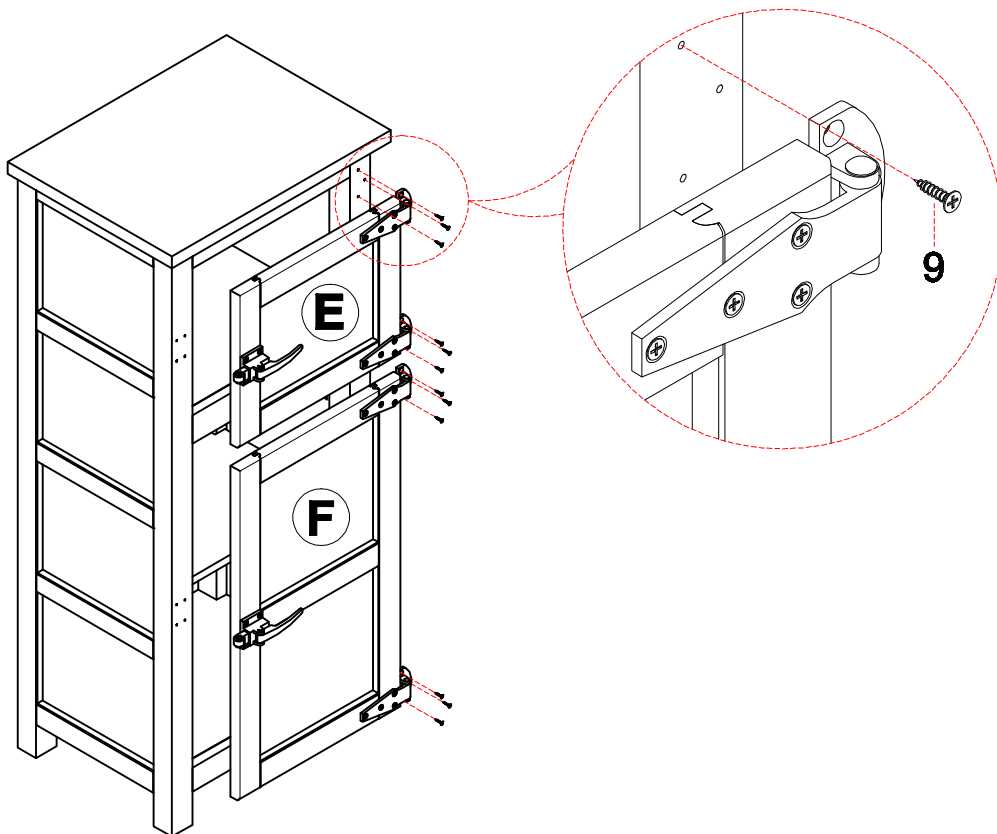
# STEP5



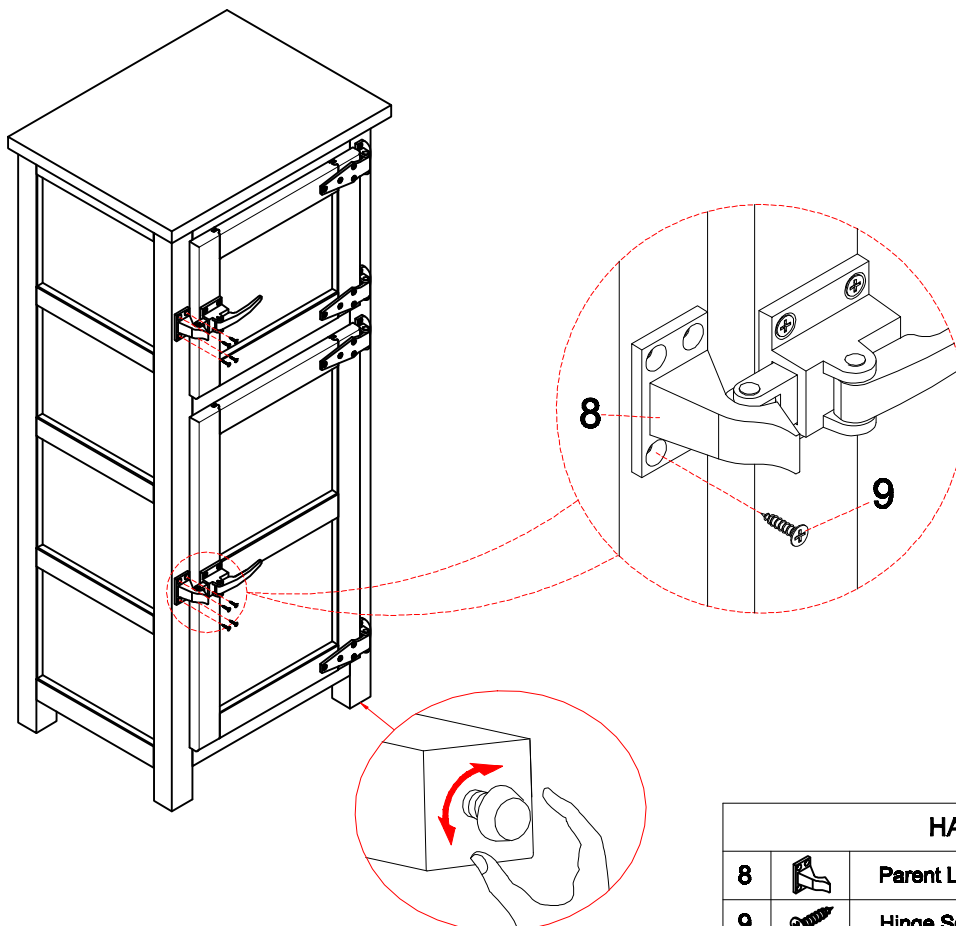
Male Buckle  
QTY. 2



HARDWARE BAG				
6		Cabinet Door Hinge		4PCS
7		Male Buckle		2PCS
9		Hinge Screw	4*15MM	24PCS

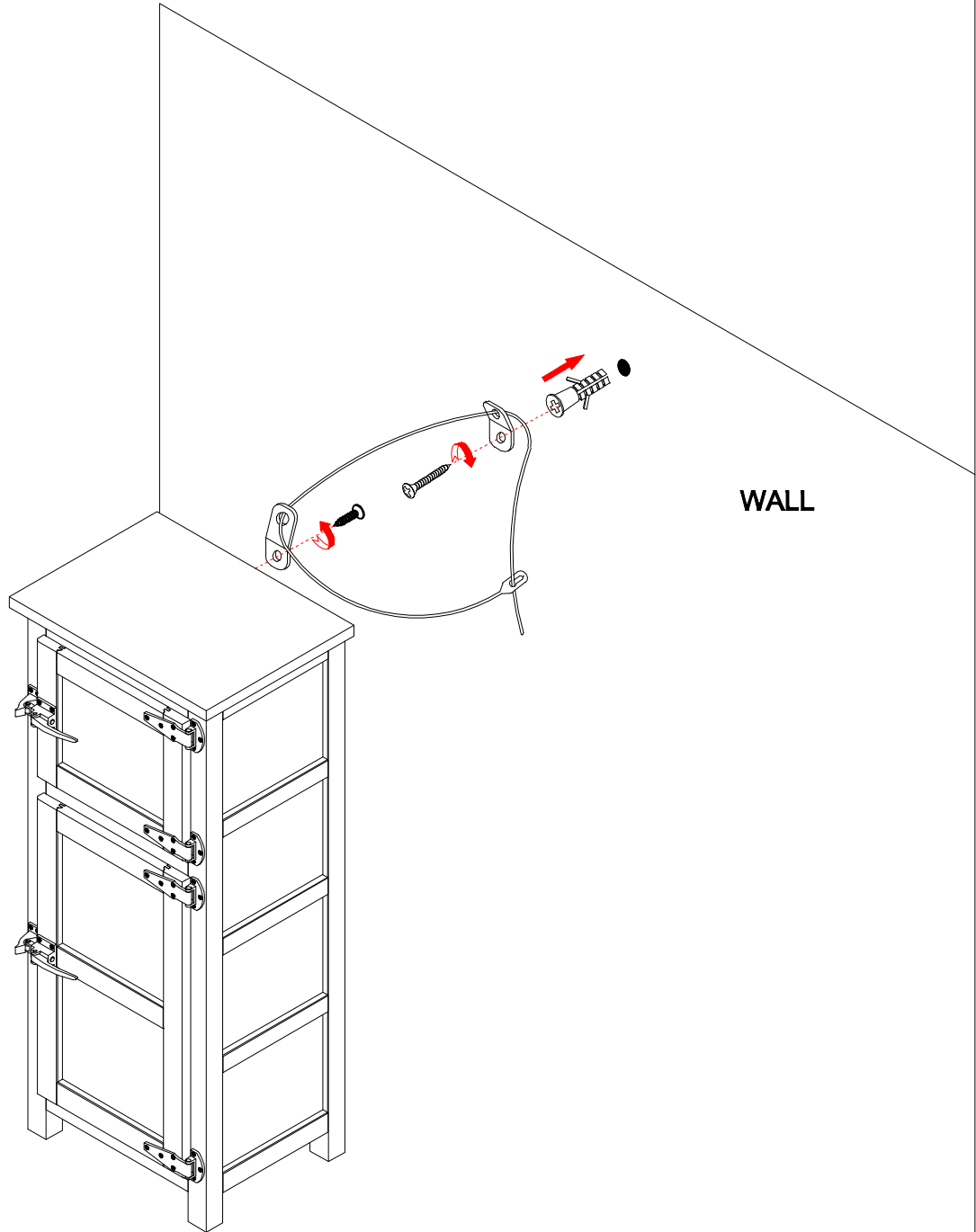
# STEP 7



HARDWARE BAG				
9		Hinge Screw	4*15MM	12PCS



HARDWARE BAG				
8		Parent Lock		2PCS
9		Hinge Screw	4*15MM	8PCS



WALL

**HARDWARE BAG**

	<b>Anti-tip hardware kit</b>	<b>1PC</b>
---	------------------------------	------------