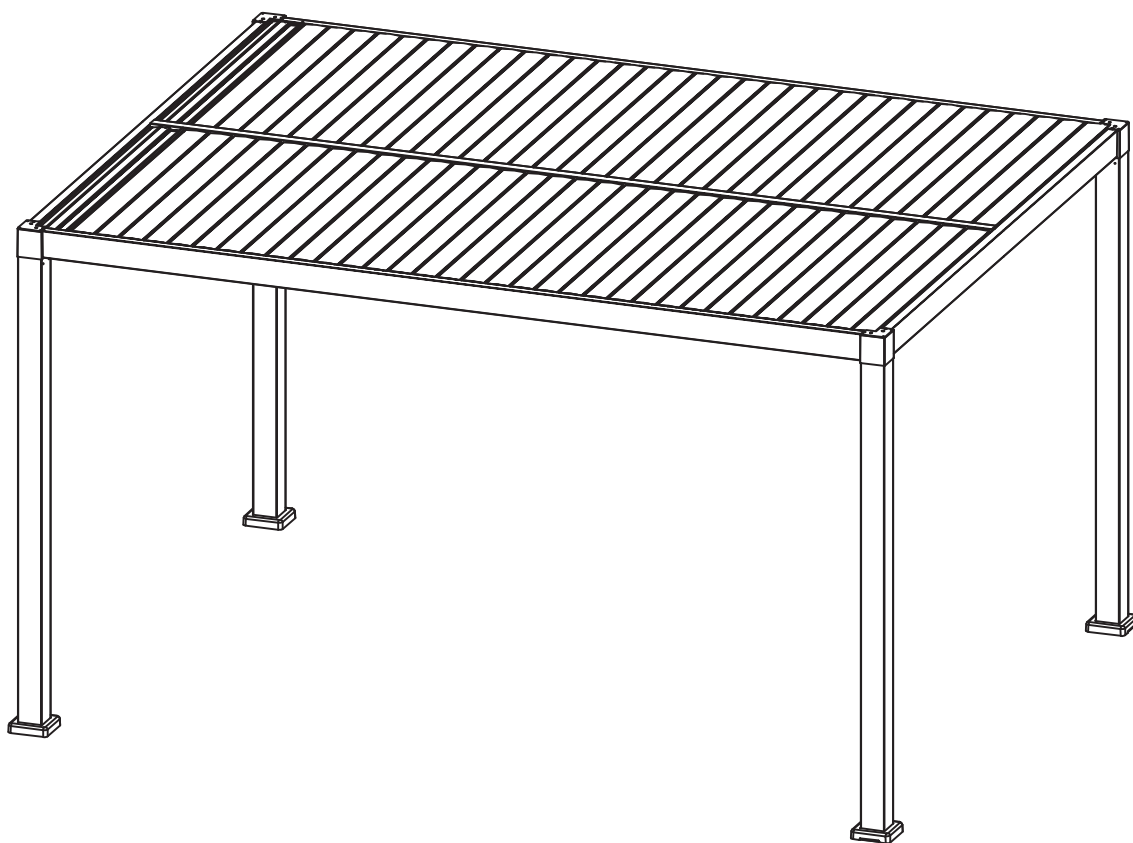


**ZAW001**



**INSTRUCTION MANUAL**

# ASSEMBLY INSTRUCTIONS









Carefully unpack all the components and verify that all the necessary parts are included as listed in the packaging.




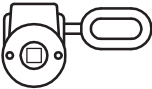
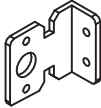



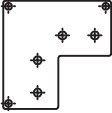


Identify each component and refer to the provided assembly diagram or step-by-step instructions. Assemble the furniture in the order specified to ensure proper alignment and fit.

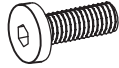
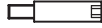
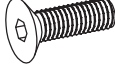






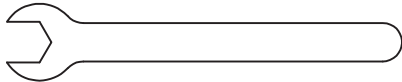
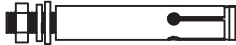
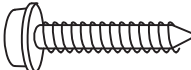
Use the provided tools or recommended tools for assembly. Do not use excessive force when tightening screws or bolts.

If any difficulties arise during assembly, consult the troubleshooting section or contact our customer support.



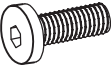

## PART

NO.	PICTURE	QTY
A		4
B		1
C		1
D		1
E		1
F		1
G		2
H		66

NO.	PICTURE	QTY
I-1		2
I-2		2
J		2
K		2
L		2
M1		2
M2		2
N		2
N1		4
O		4
O1		4

NO.	PICTURE	QTY
1#	 M6x15mm	56
2#	 M8x55mm	24
3#	 M6x15mm	20
4#	 M4x12mm	4
5#	 M6	8
6#	 M6x40mm	4
7#	 M8 wrench	1
8#	 Phillips wrench	1
9#	 M6 wrench	1
10#		1
11#	 M8	16
12#	 M8	16

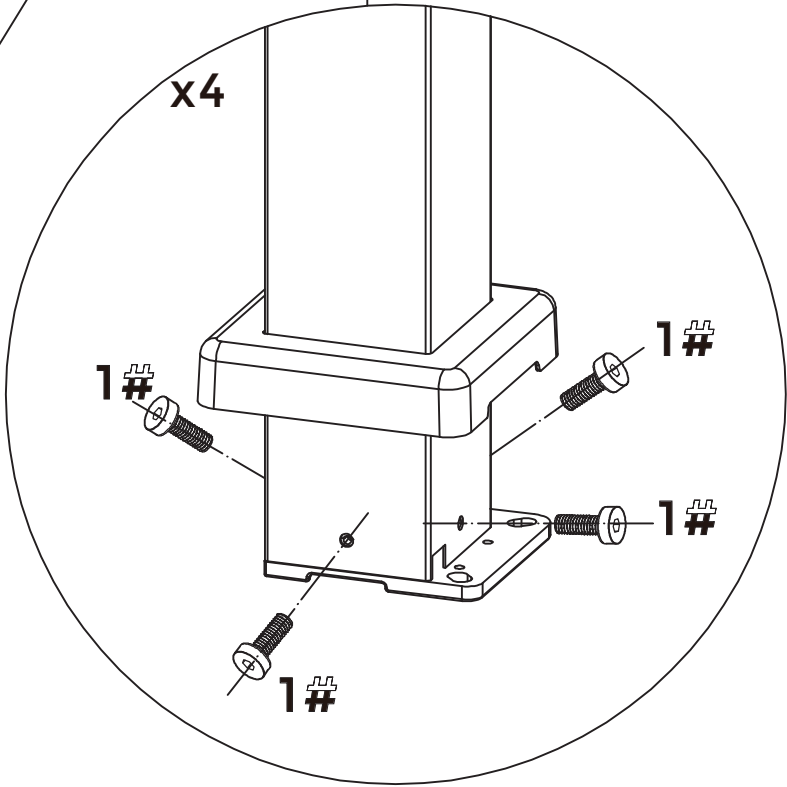
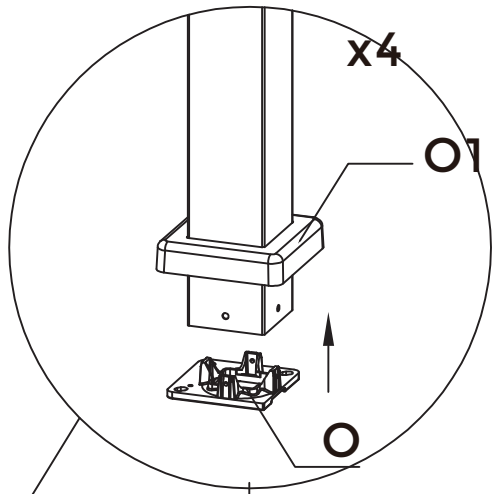
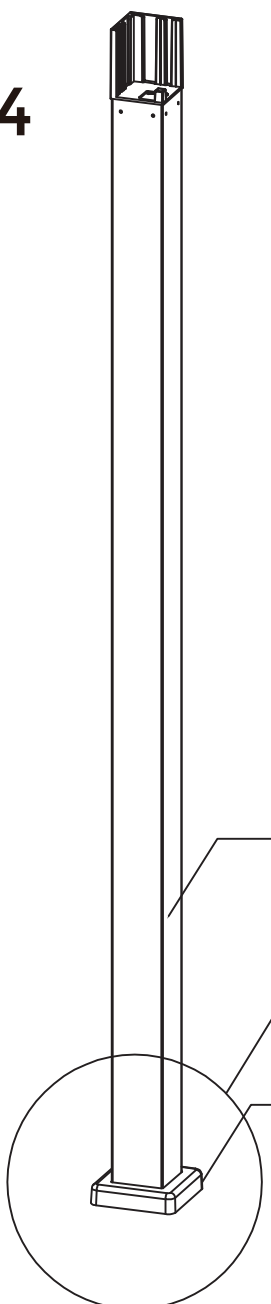
☰ **PRODUCT ASSEMBLY**

	A x 4		O x 4
 M6x15mm	1# x 16		O1 x 4

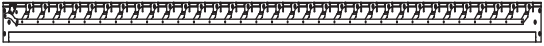
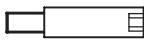
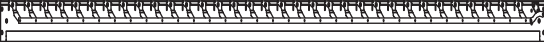
**Tools Required**



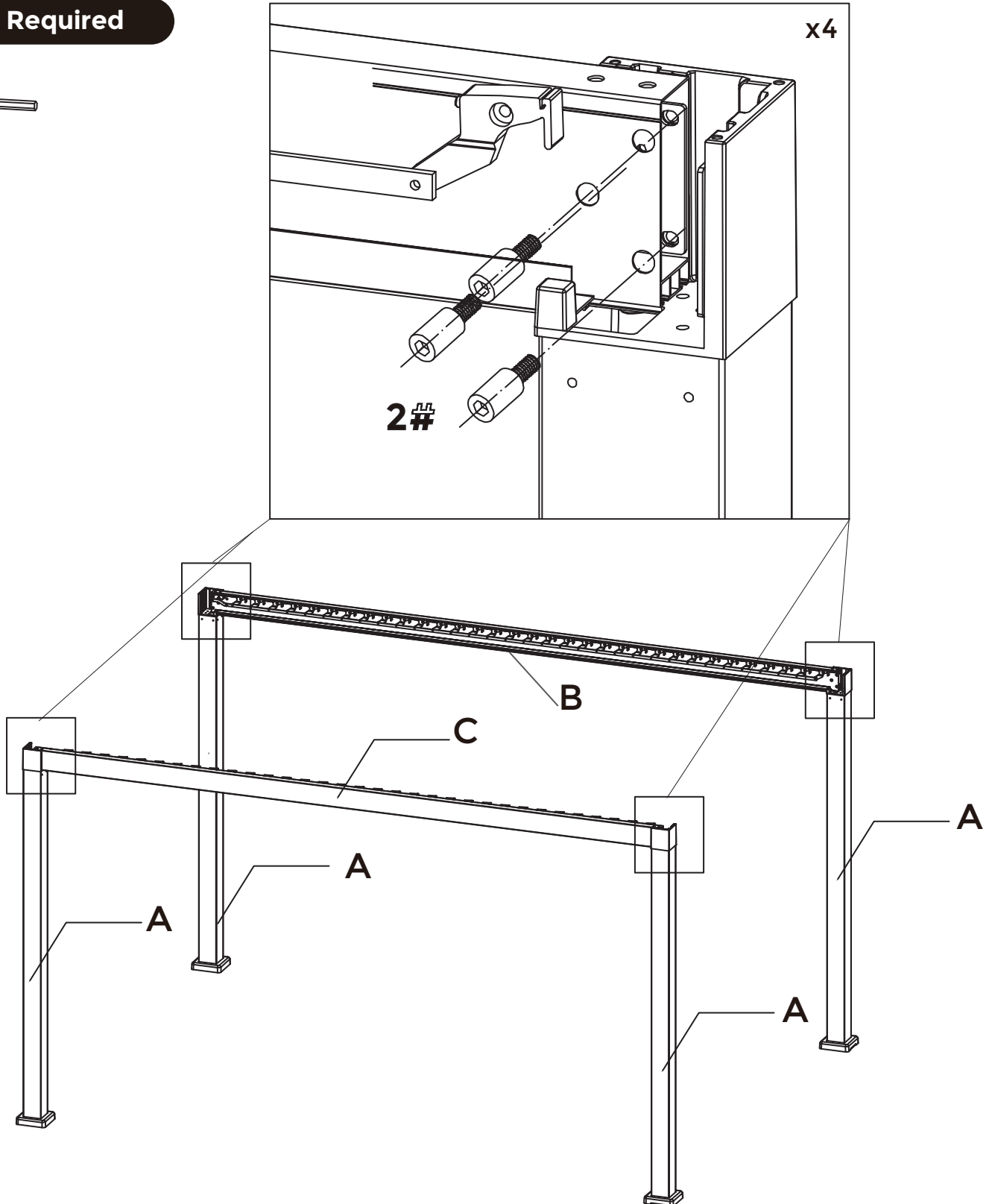
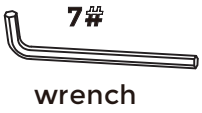
x 4







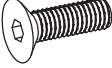
# PRODUCT ASSEMBLY

	B x 1		M8x55mm	2# x 12
	C x 1			

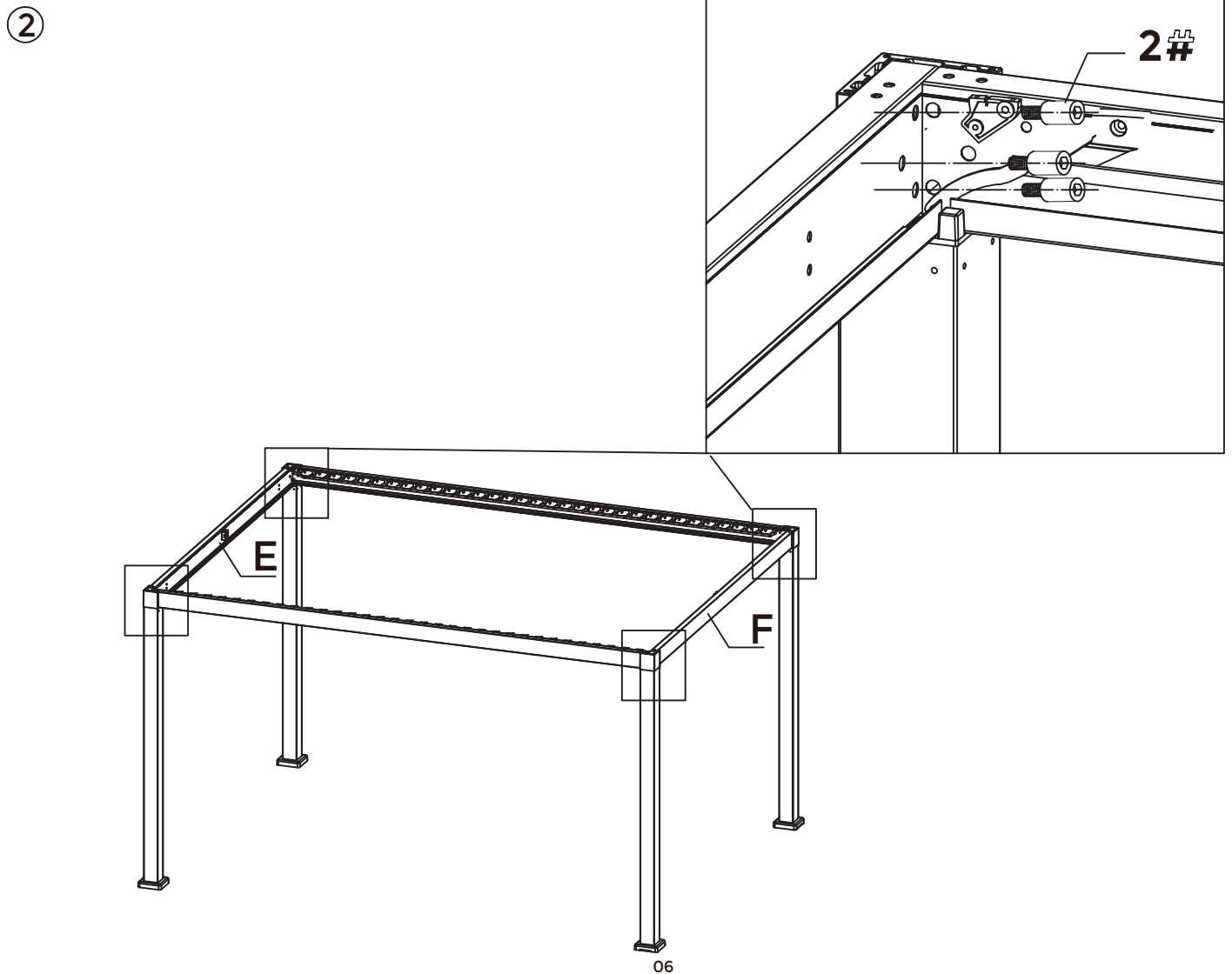
## Tools Required



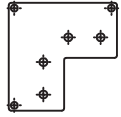
# PRODUCT ASSEMBLY

 <p style="text-align: right;"><b>E x 1</b></p>	 <p style="text-align: right;"><b>N x 2</b></p>
 <p style="text-align: right;"><b>F x 1</b></p>	 <p style="text-align: right;"><b>M8x55mm</b> <b>2# x 12</b></p>
	 <p style="text-align: right;"><b>M6x15mm</b> <b>3# x 8</b></p>

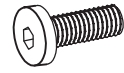
## Tools Required



**☰ PRODUCT ASSEMBLY**



N1 x 4



M6x15mm

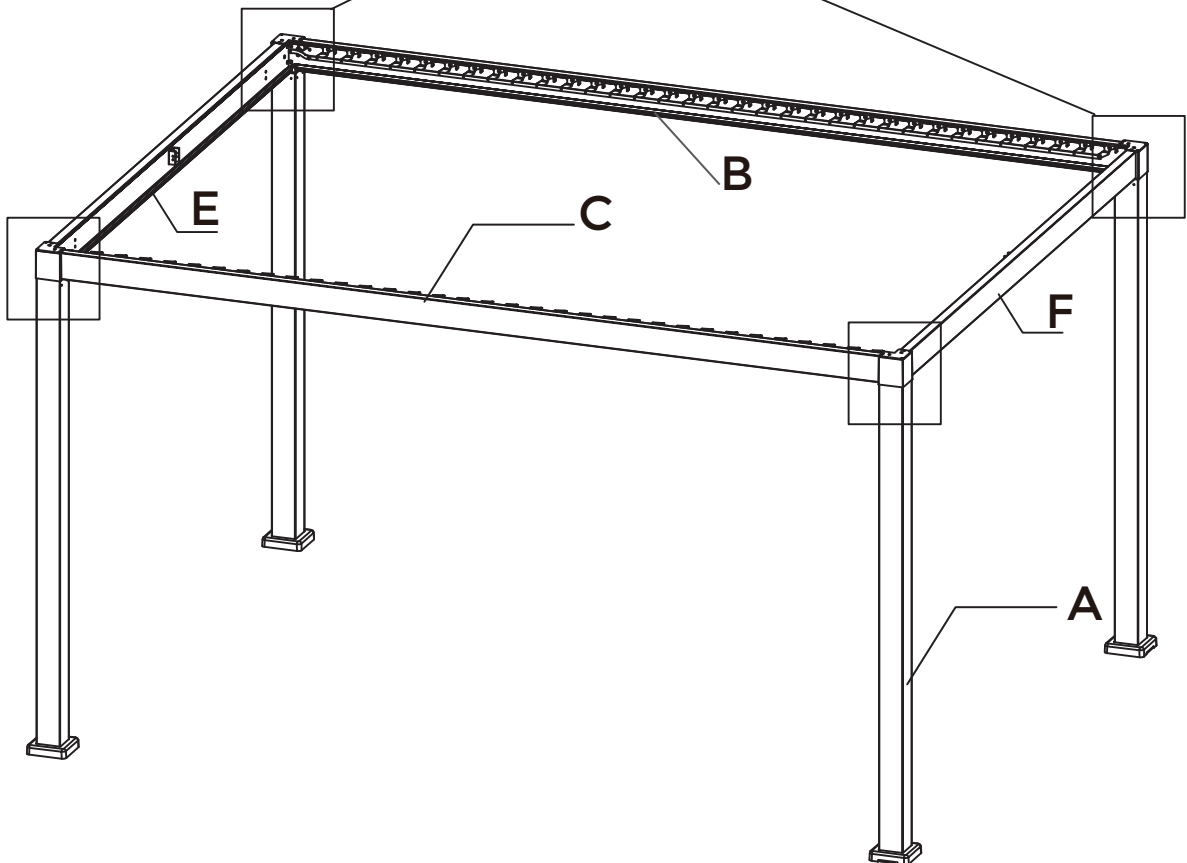
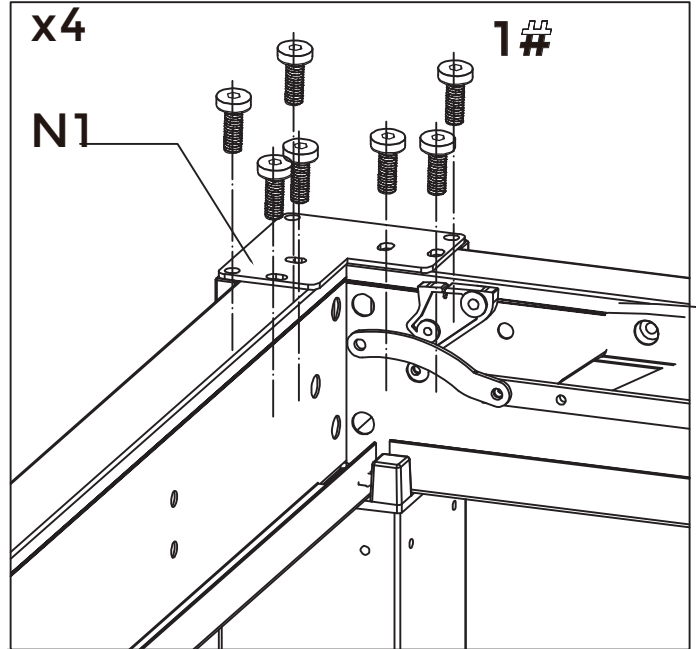
1# x 28

**Tools Required**

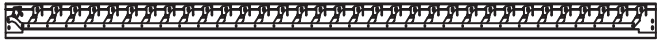


9#

wrench



**PRODUCT ASSEMBLY**



D x 1



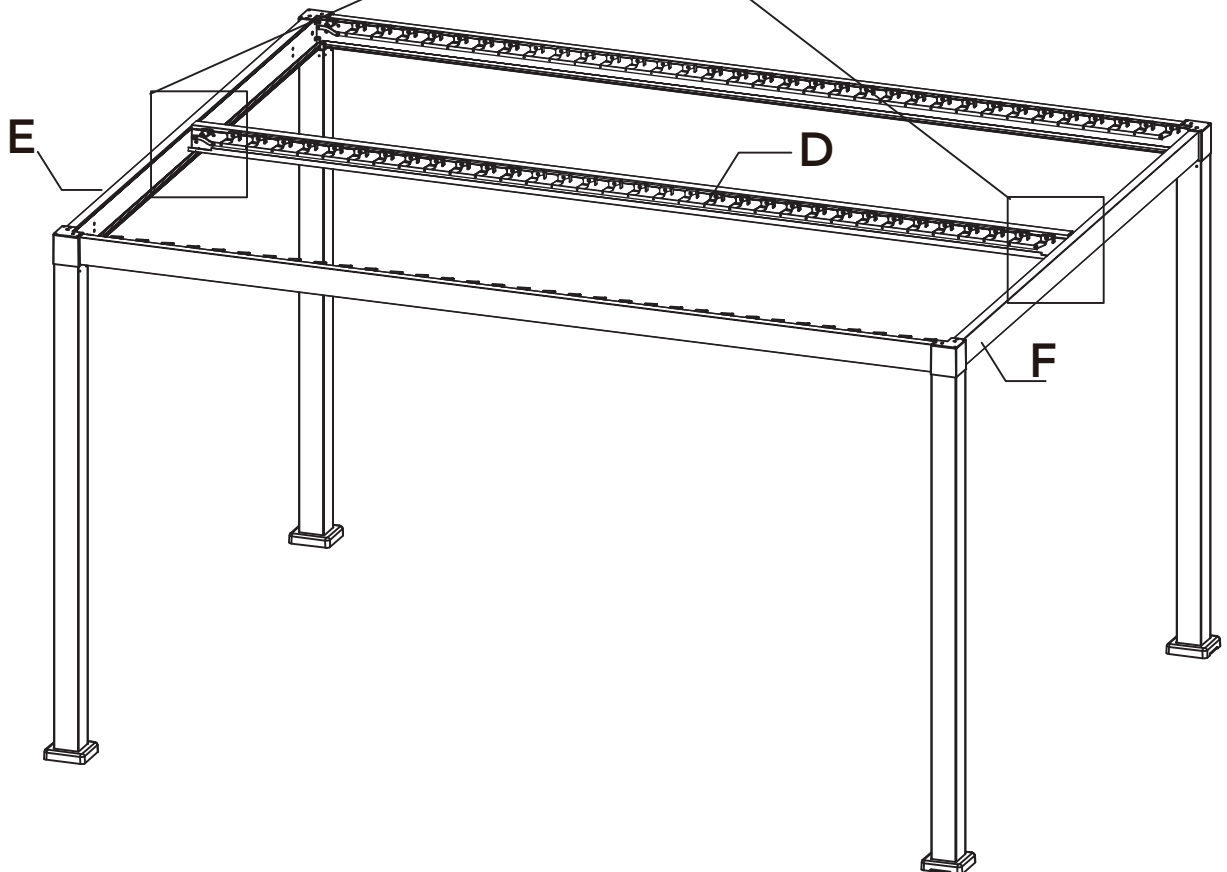
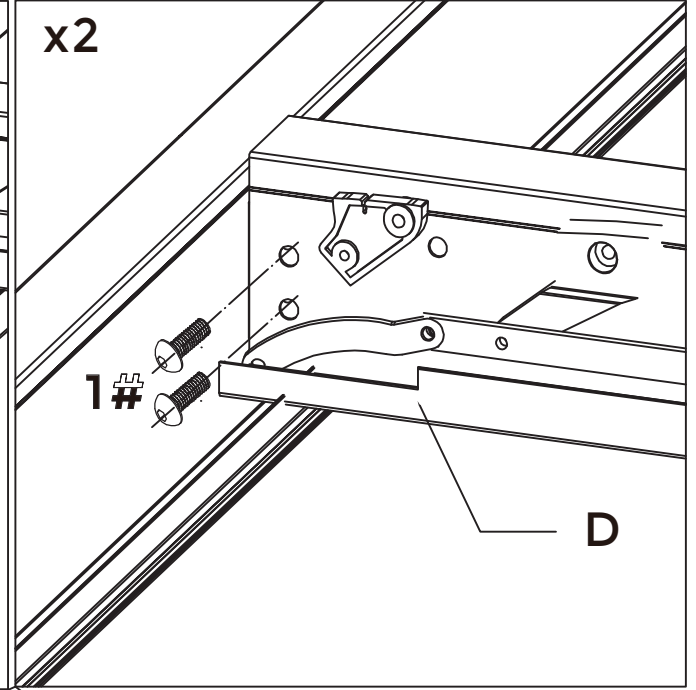
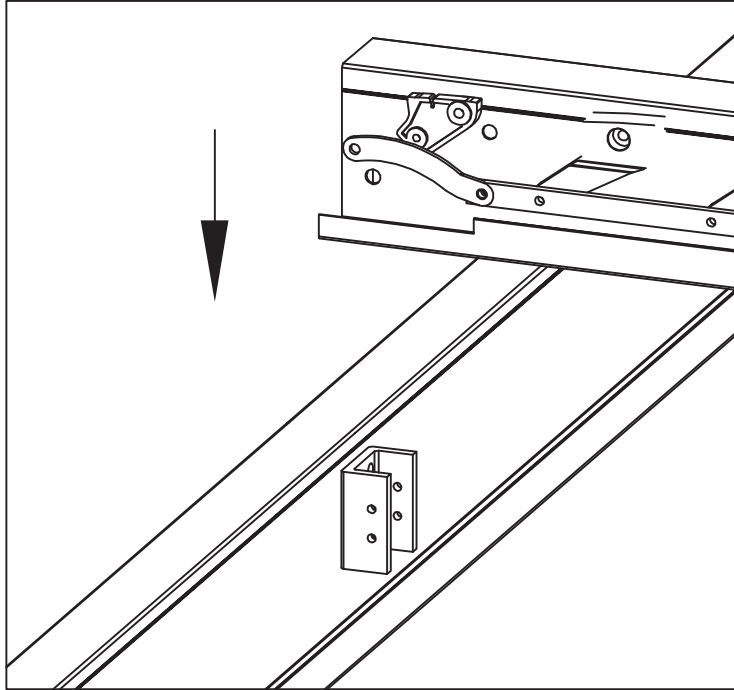
M6x15mm

1# x 8

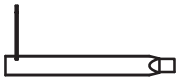





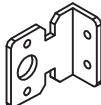

**Tools Required**



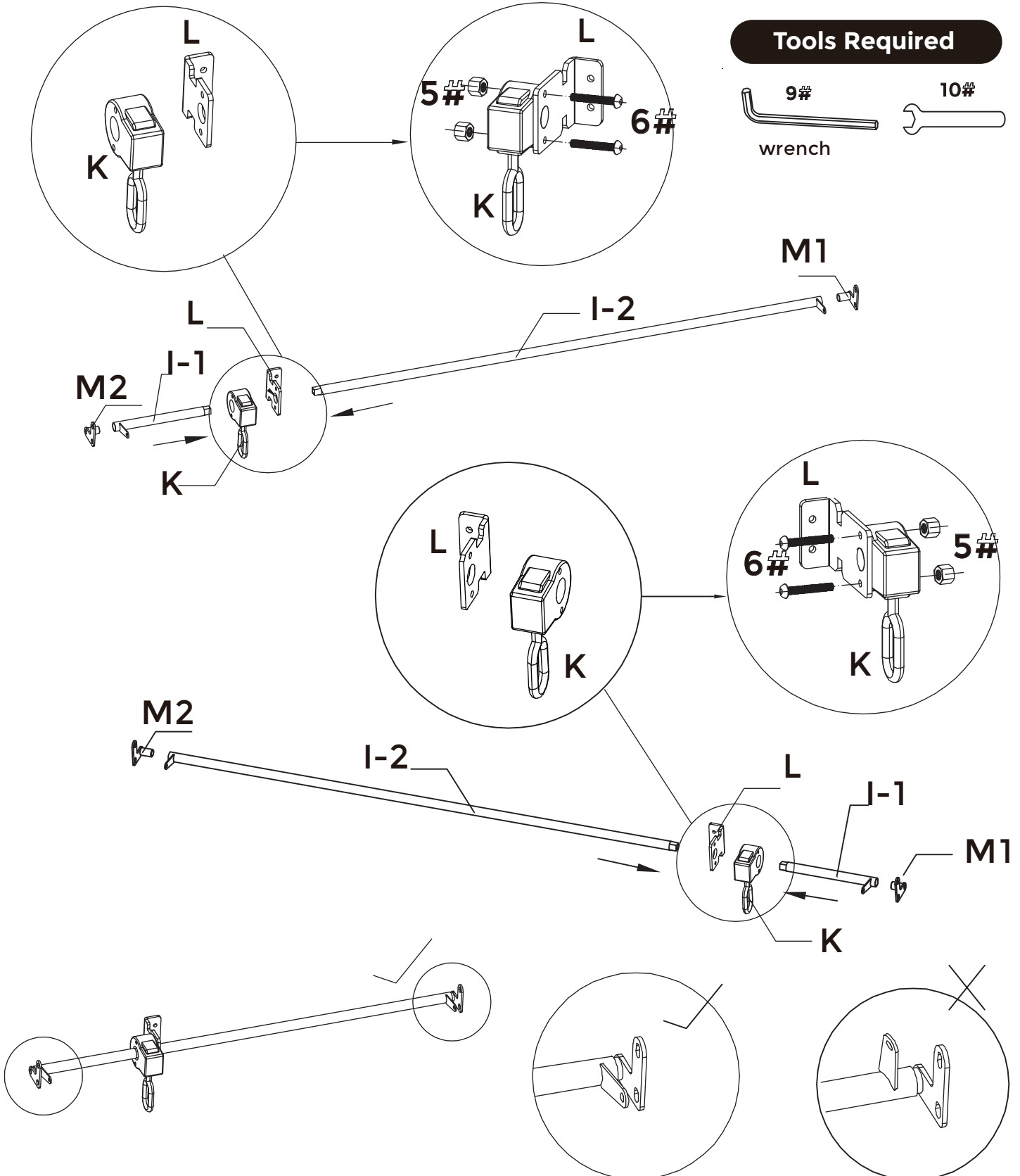
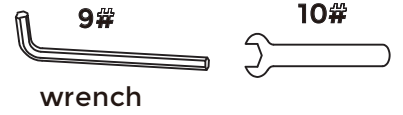
wrench



**PRODUCT ASSEMBLY**

 I-1 x 2	 M1 x 2	 K x 2	 M6x40mm 6# x 4
 I-2 x 2	 M2 x 2	 L x 2	 M6 5# x 4

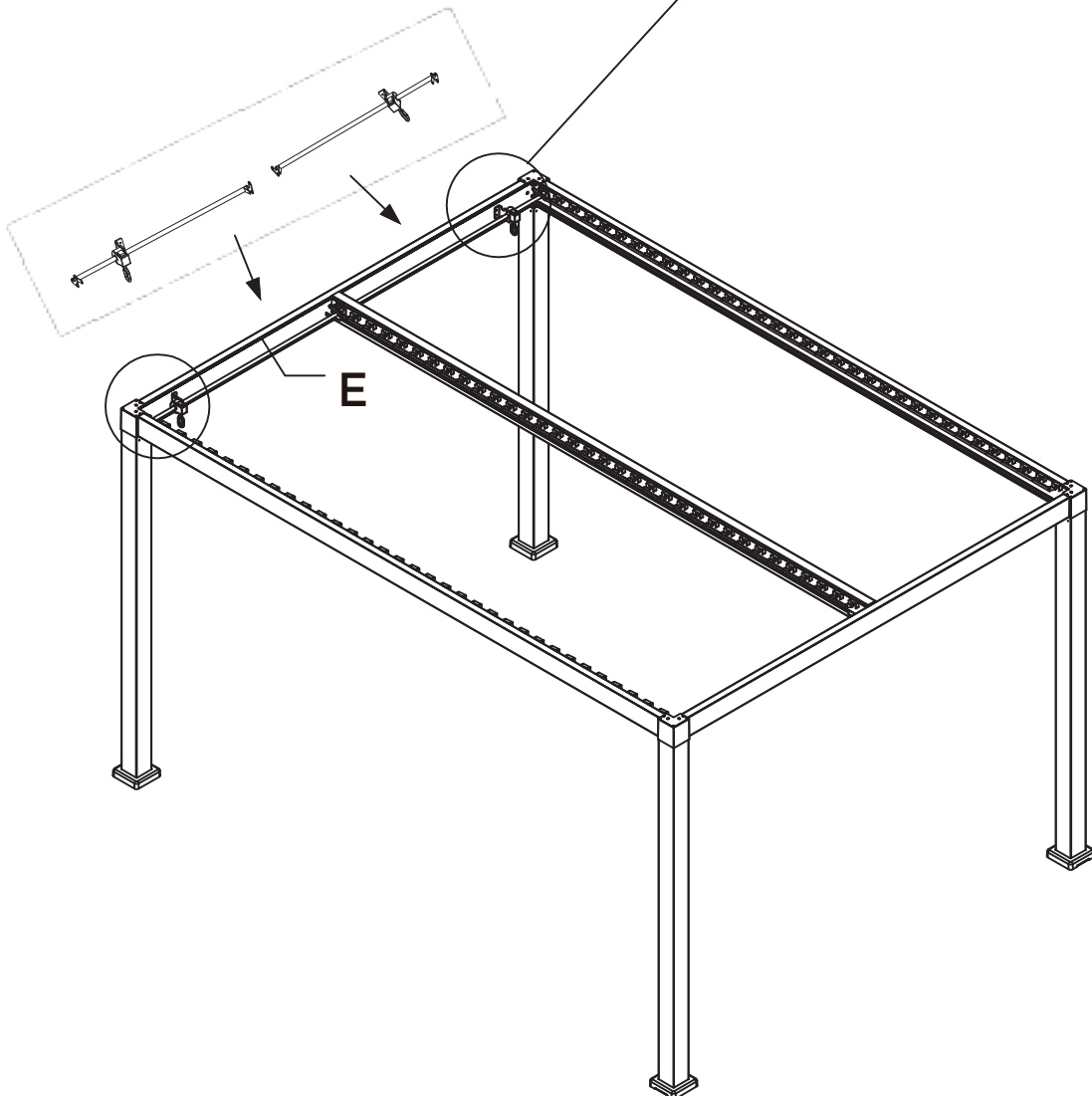
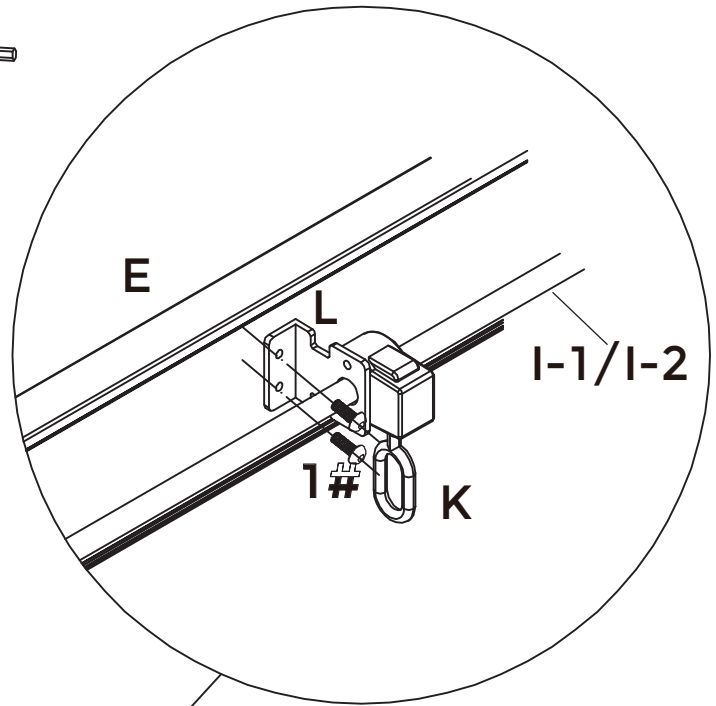
**Tools Required**



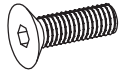


1# x 4

**Tools Required**



**☰ PRODUCT ASSEMBLY**



M6x15mm

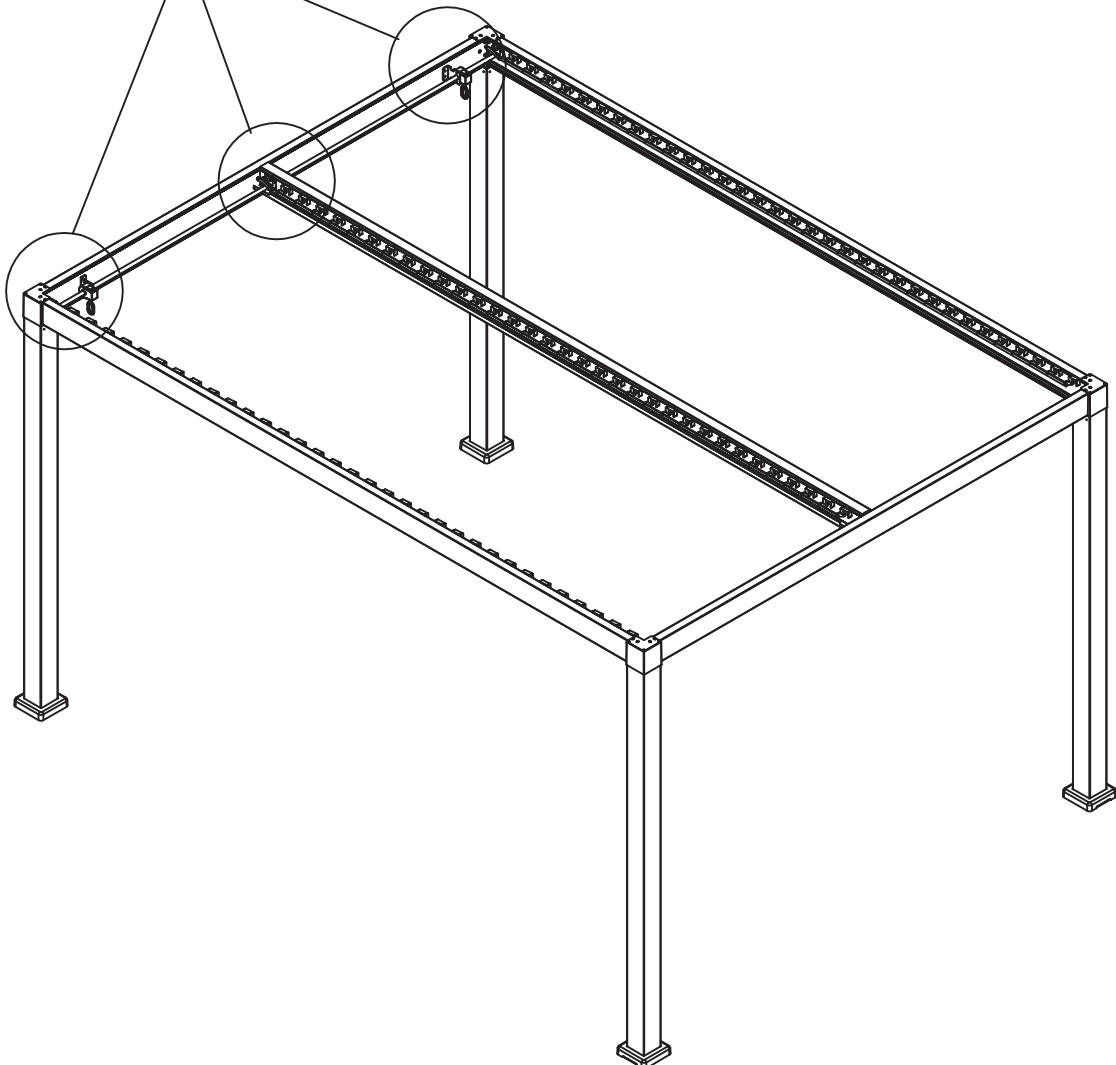
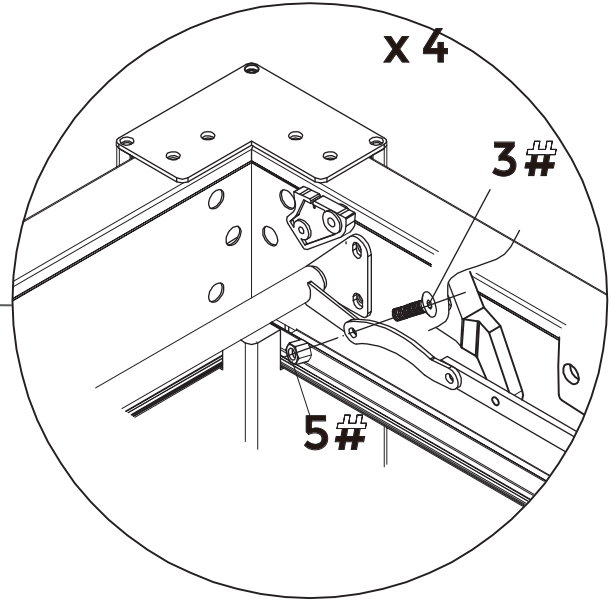
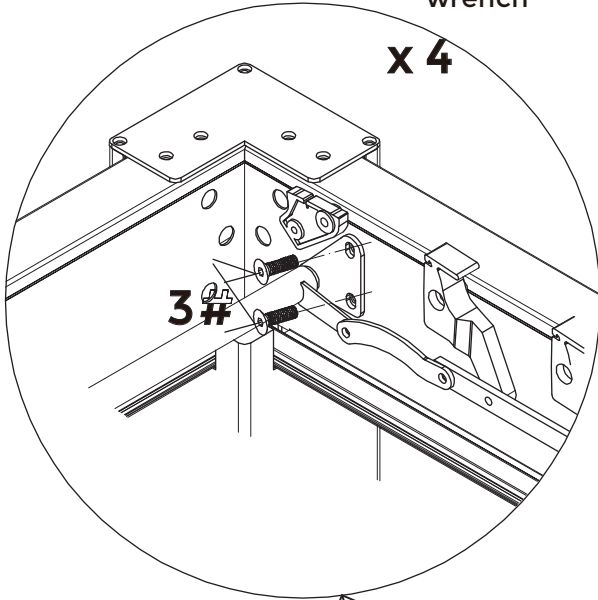
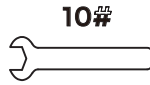
3# x 12



M6

5# x 4

**Tools Required**



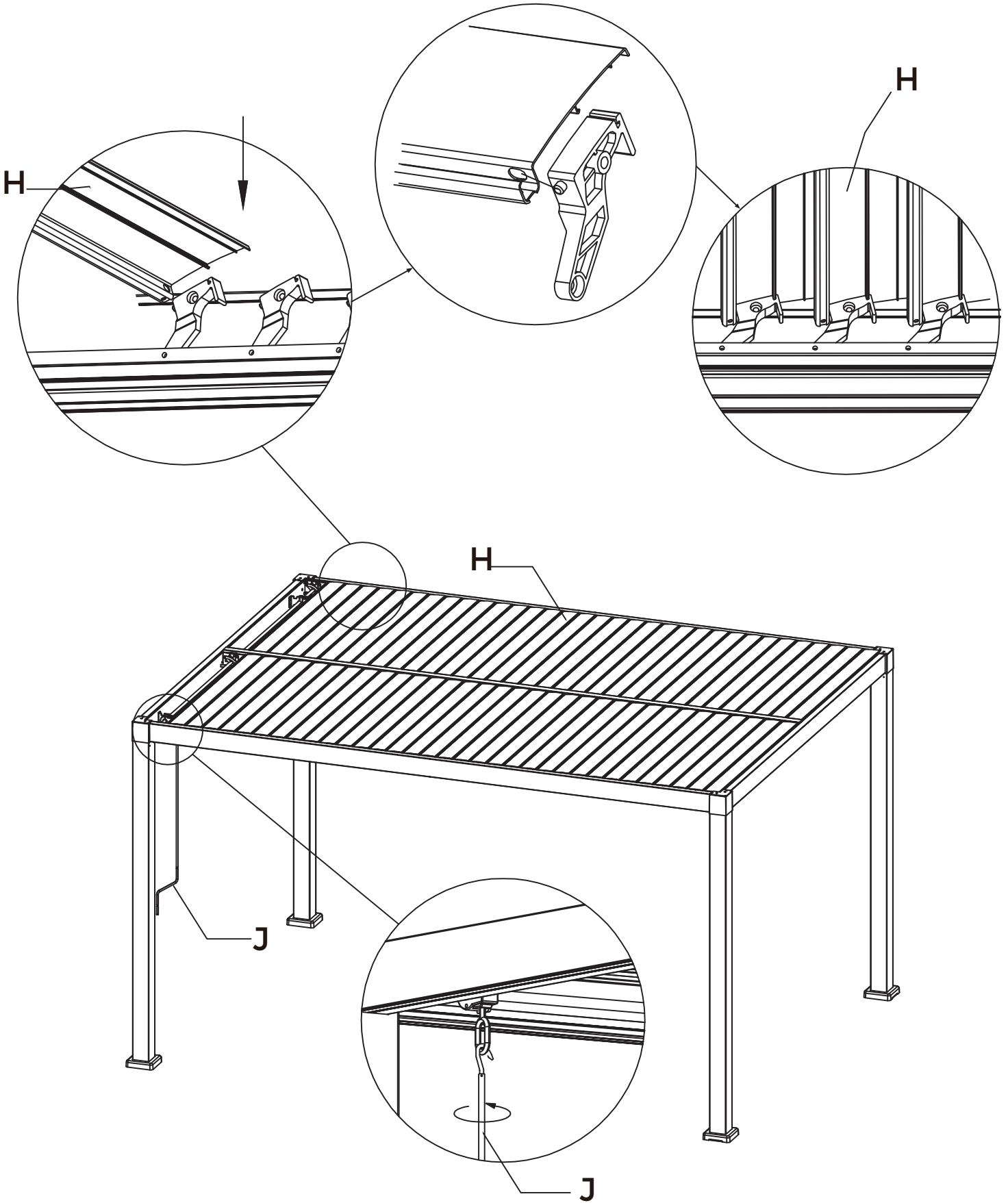
**☰ PRODUCT ASSEMBLY**



H x 66



J



**☰ PRODUCT ASSEMBLY**



**G x 2**



**M4x12mm**

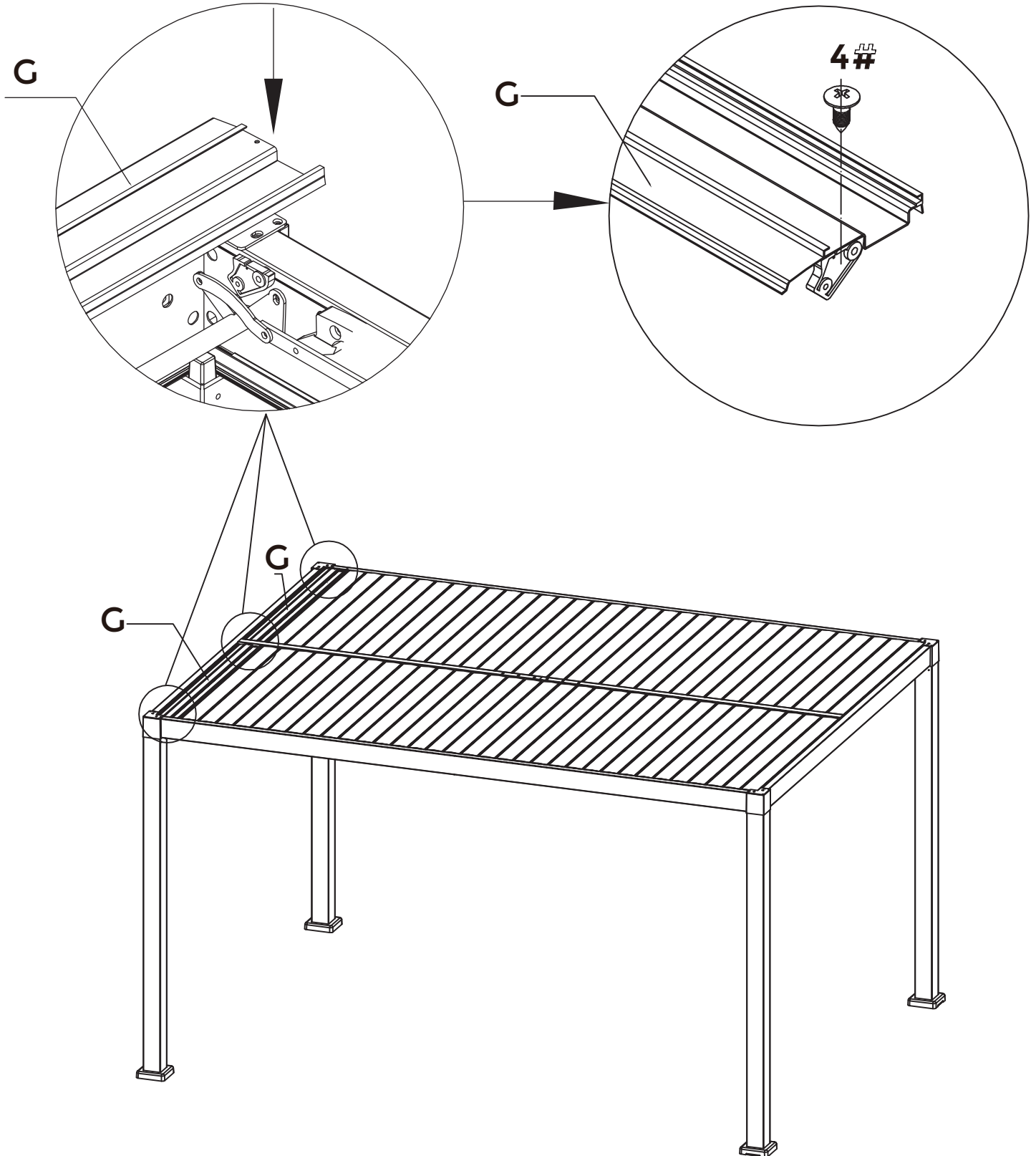
**4# x 4**

**Tools Required**

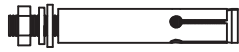


**8#**

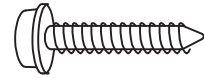
Phillips wrench



☰ **PRODUCT ASSEMBLY**



M8 11# x 16

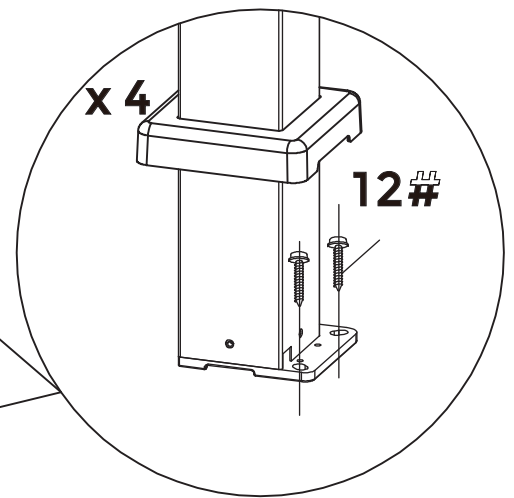
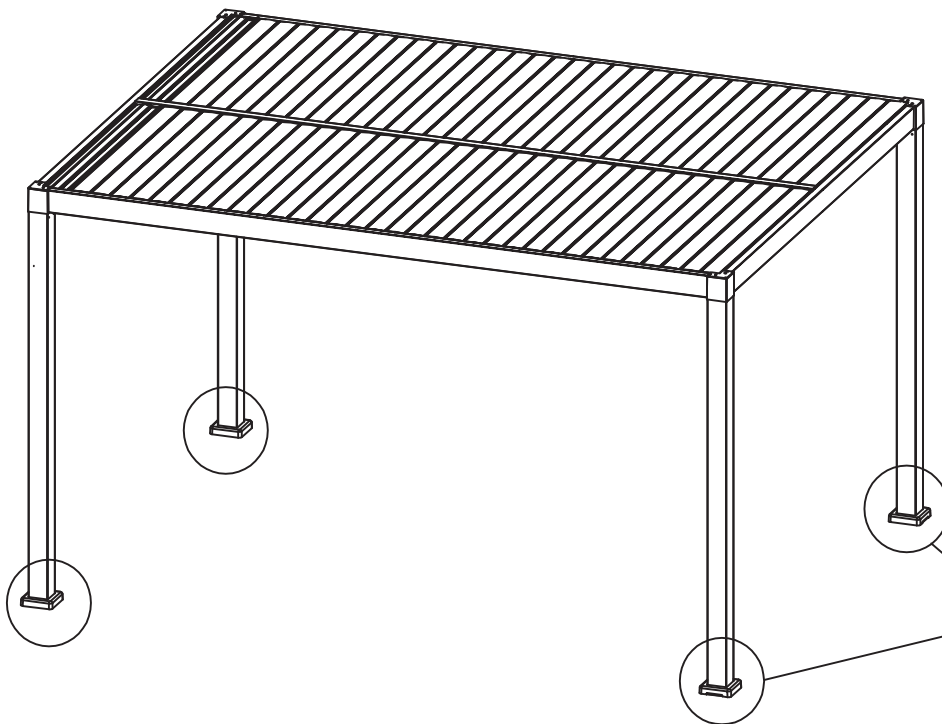
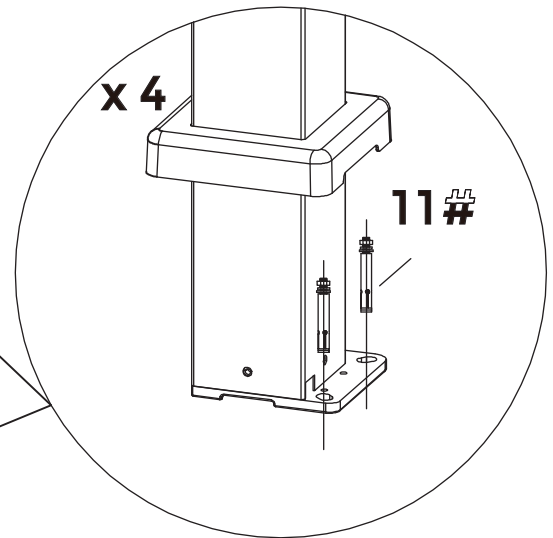
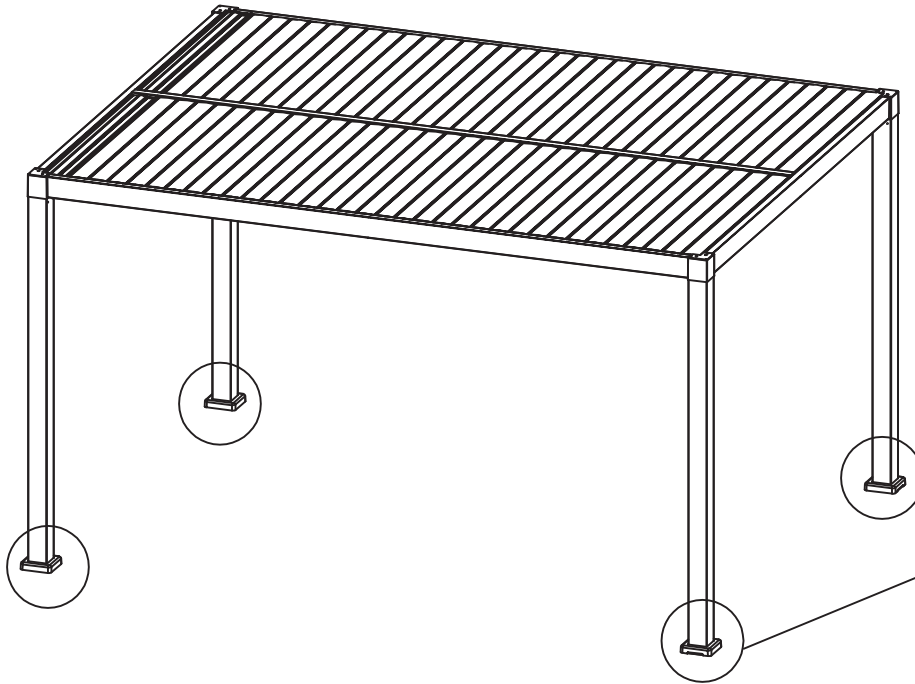


M8 12# x 16

**Tools Required**



wrench





## MAINTENANCE AND CARE

Protect your furniture from extreme weather conditions by moving it to a covered area. Alternatively, use furniture covers or traps for added protection.

Avoid dragging or placing heavy objects on the furniture to prevent potential damage.

Regularly inspect your furniture for signs of wear, loose strands, or damage. Address any issues promptly.

Hardware may loosen over time. Periodically check to make sure all connections are tight. Re-tighten if necessary.

Do not dispose of any packaging or contents of the shipping carton until assembly is completed to avoid accidentally discarding small parts or hardware.

Do not use sharp objects that may scratch the painted surface.

Clean with a damp cloth soaked in warm soapy water or a specialized, suitable cleaning product.

Conclude the cleaning process by wiping with a clean, dry cloth.

Ensure to open the louvered proof during winter snowfall to prevent snow accumulation on top.



## WARRANTY INFORMATION

**Warranty Coverage:** Our warranty provides protection against manufacturing defects in materials and workmanship for a specified period from the date of purchase, as outlined in the accompanying warranty documentation.

**Exclusions:** The warranty does not cover damages resulting from misuse, negligence, accidents, normal wear and tear, unauthorized repairs or modifications, improper assembly, or failure to adhere to the care and maintenance guidelines provided.

### Warranty Claim Process

**To initiate a return on Amazon, please follow these steps:**

- 1 Log into your Amazon account and go to the "Your Orders" section.
- 2 Locate the order containing the item you wish to return.
- 3 Contact our customer service for assistance in obtaining a prepaid return label.
- 4 Once you receive the return label, securely affix it to the package.
- 5 You can then choose to drop off the package at a designated carrier location or arrange for a pickup.
- 6 After we receive and inspect the returned product, we will initiate the refund process.
- 7 The refund will be credited back to the original payment method used during the purchase.
- 8 Typically, refunds are processed within 3-5 business days.



## Contact Information

---

If you have any questions, concerns, or need assistance, please reach out to our customer support team using the contact information provided below:

**Customer Support Email**

**support@royalcraft.store**

---