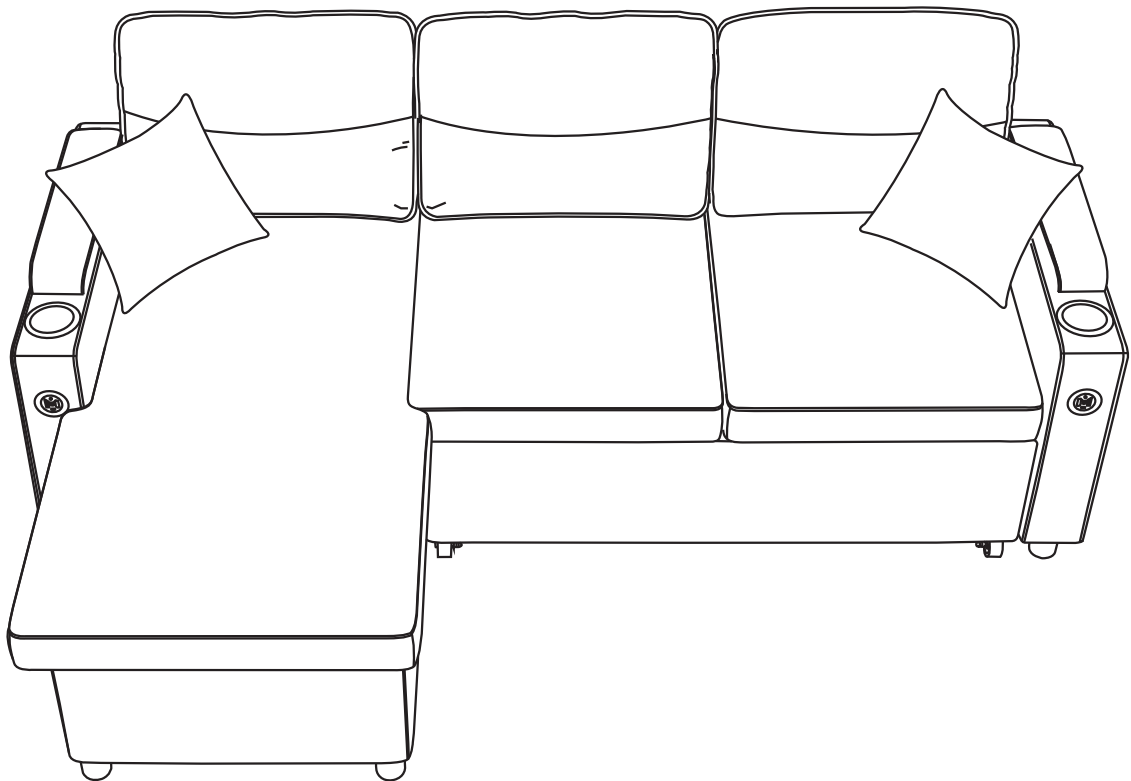
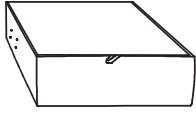
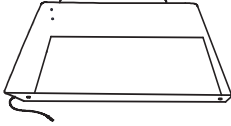
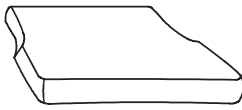

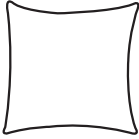


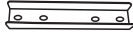



Convertible Sofa Sleeper


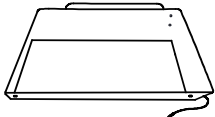
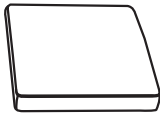




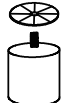
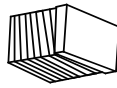



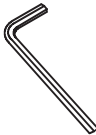











**L shaped sofa
(Right Facing)**

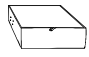

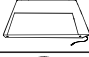
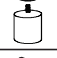
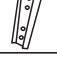



Box A Parts List

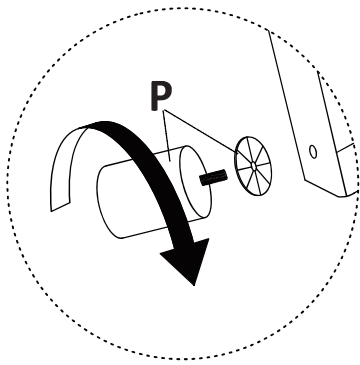
B Chaise  1pc	C Armrest(C)  1pc	F Chaise Cushion  1pc	G Backrest Pillow  3pcs	
H Throw Pillow  2pcs	I Iron Frame(I)  1pc	J Iron Frame (J)  1pc	M Swyft-loks  2pcs	
B1 Front bezel  1pc				

Box B Parts List

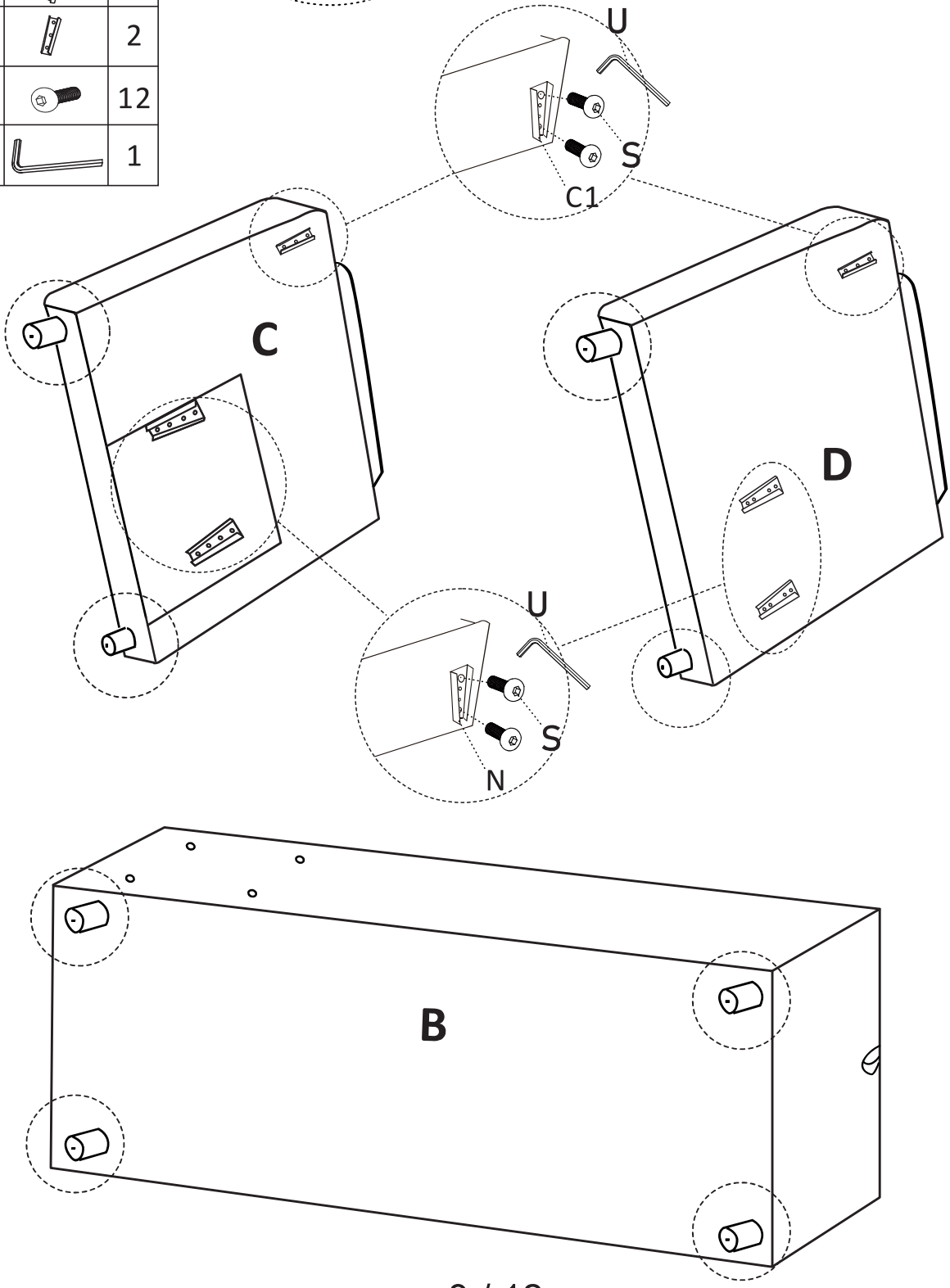
A Sofa Base  1pc	D Armrest(D)  1pc	E Seat Cushion  2pcs	K Backrest Cover (K)  1pc	L Footrest  1pc
N Swyft-loks (N)  6pcs big	O Swyft-loks(O)  6pcs small	P Leg and Plastic Washer  8pcs	Q Plastic Plug  2pcs	R Screw M6*40mm  2pcs M6*40mm
S Screw M6*16mm  42pcs M6*16mm	T Screw M6*30mm  3pcs M6*30mm	U Allen Key  1pc	V Wheel  4pcs	W Power  2pcs
A1 Pulling bed  1pc	C1  2pcs big	D1 Swyft-loks (D1)  2pcs small	E1 Connecting rods  1pc	F1 Angle iron  1pc
G1 Angle iron  1pc	X Screw M6*14mm  4pcs M6*14mm	8pcs		

Step1

B		1
C		1
D		1
P		8
N		4
C1		2
S		12
U		1



Installaion of sofa legs with plastic washers



Step2

Please decide the direction of the sofa chaise before your start installation

Check the instructions carefully and install the Swy-loks in the direction you want the recliner to go, which determines whether the chaise is on the left or the right.

L shape

B



1

N



2

O



2

S

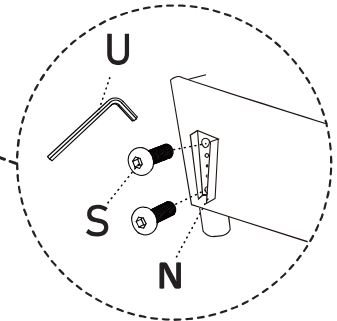
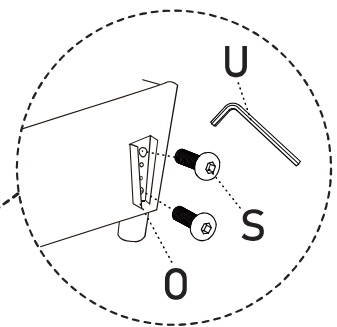
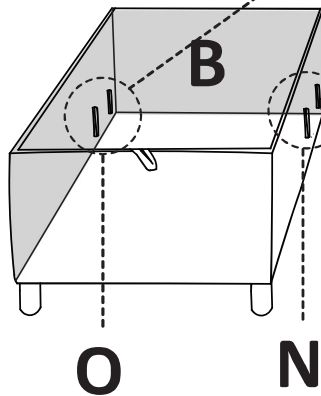
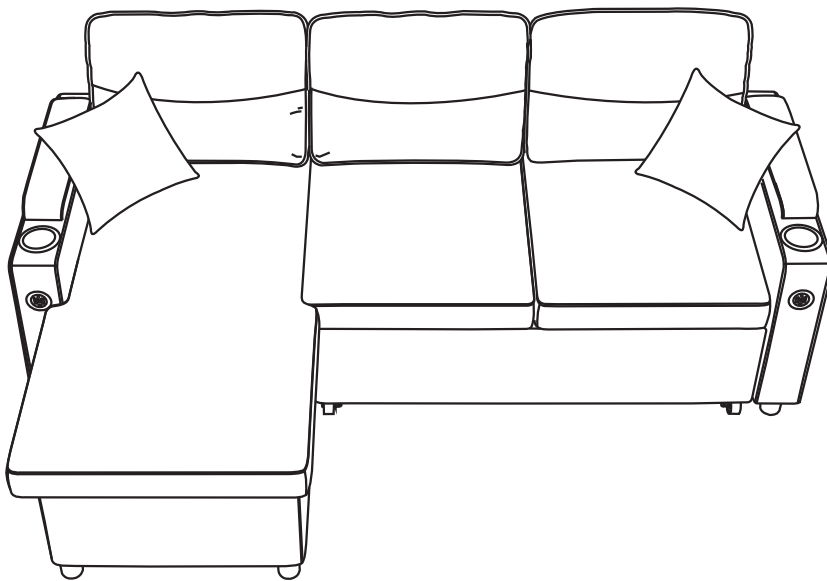


8











U



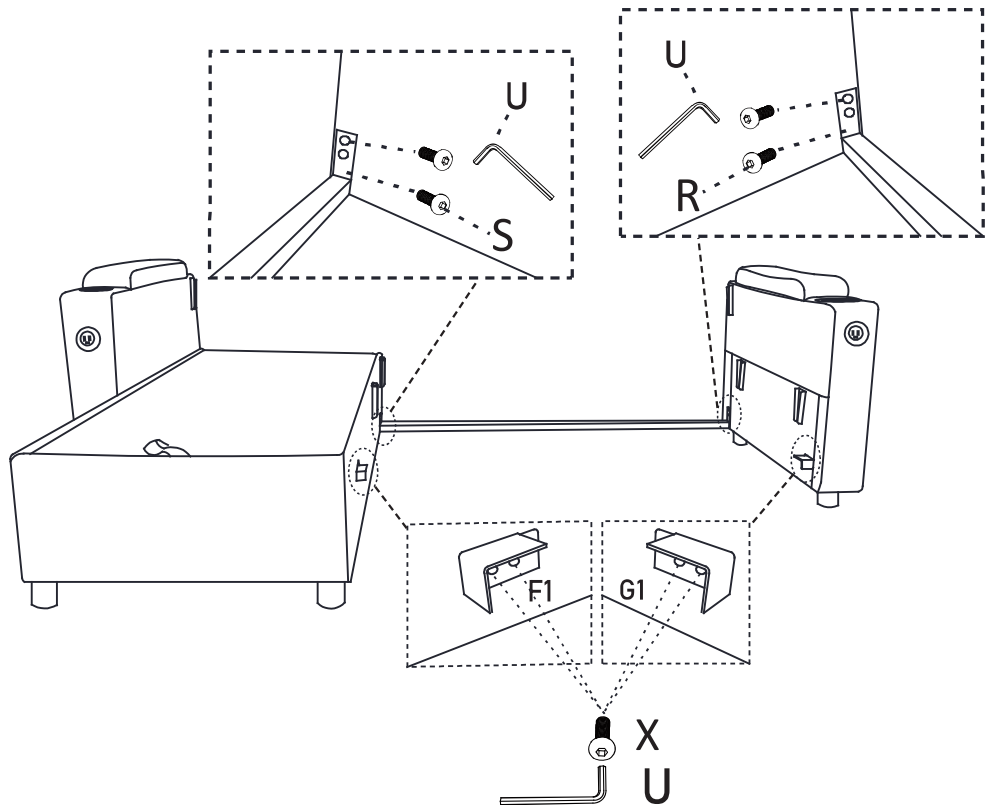
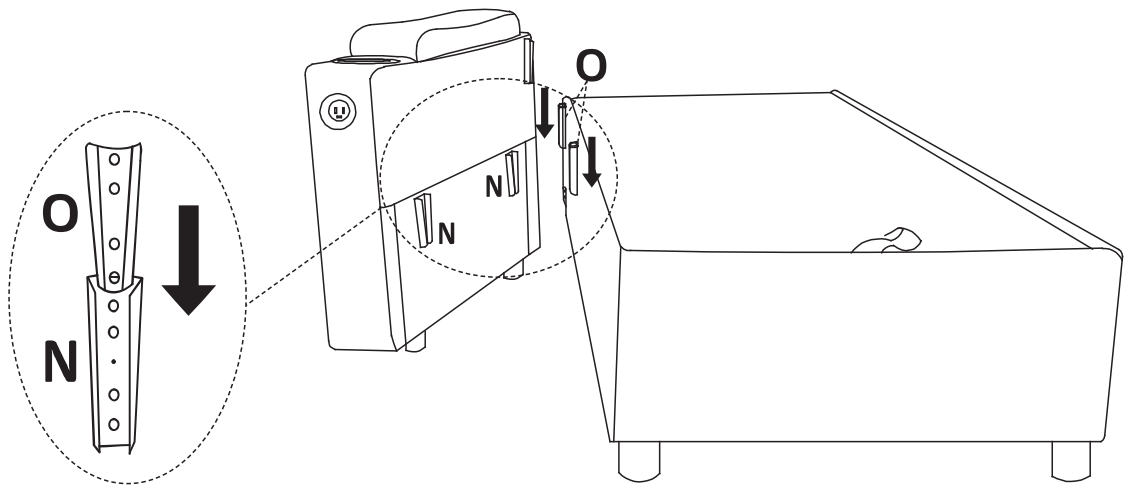
1



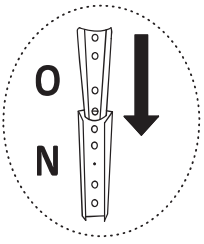
Step3 Connect Sofa Base& Armrest

L shape	E1		1	B		1	C		1	D		1
	F1		1	G1		1	S		2	U		1
	R		2	X		4						

L shaped sofa (Left Facing)



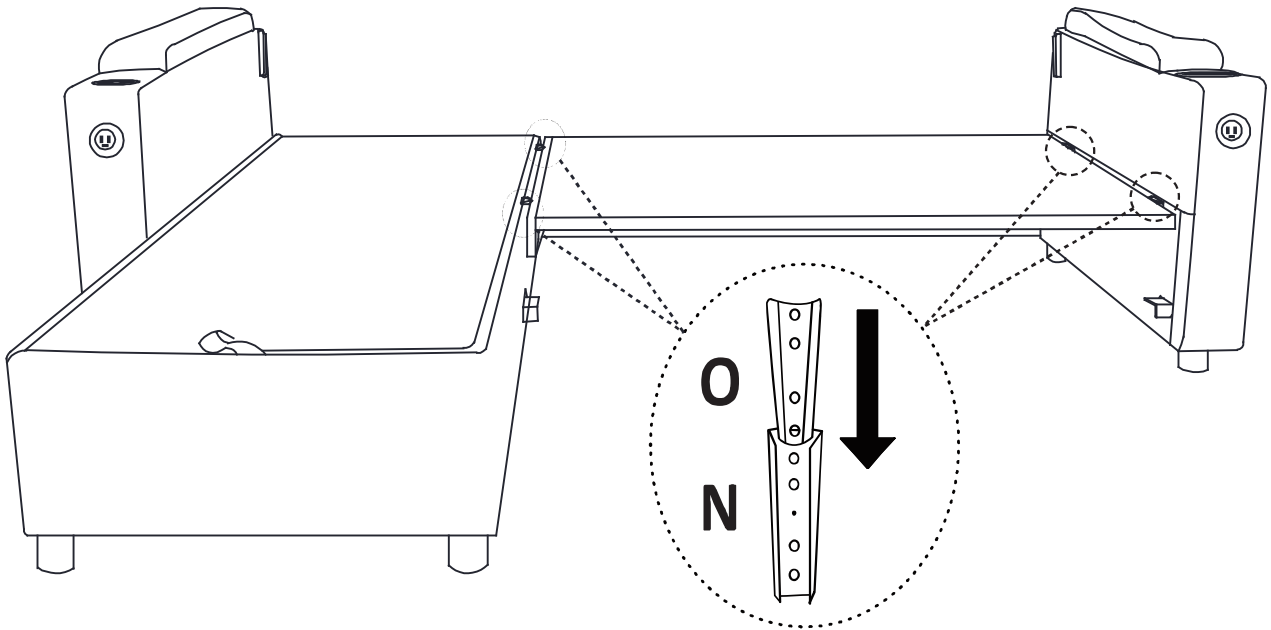
Step4 Connect Sofa Base& Armrest



Please kindly note that the small round metal insert part O is inserted into the large square metal insert part N.

L shape	A		1	B		1	C		1	D		1
	O		4									

L shaped sofa (Left Facing)










Step5

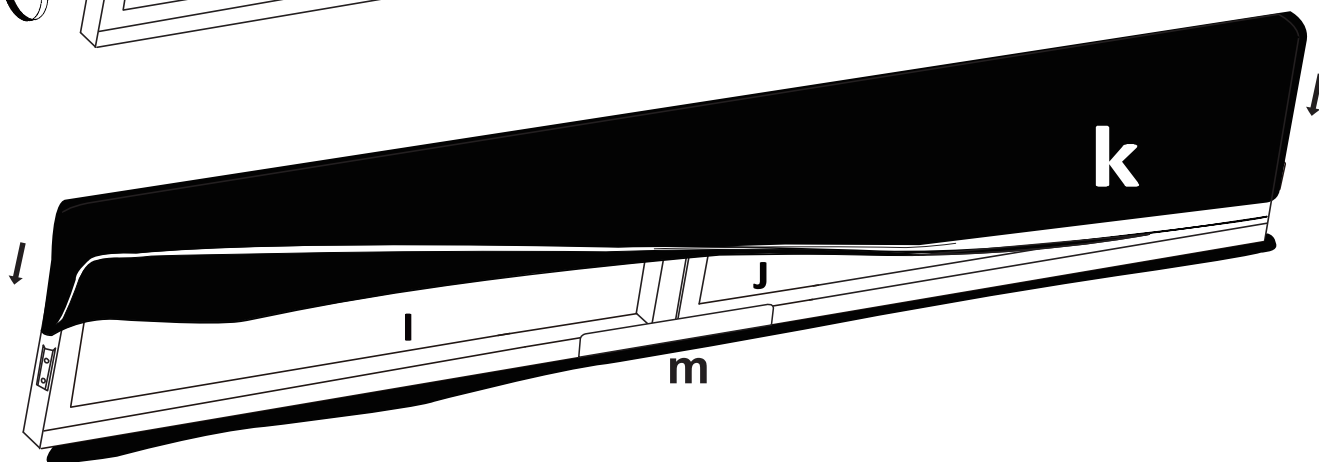
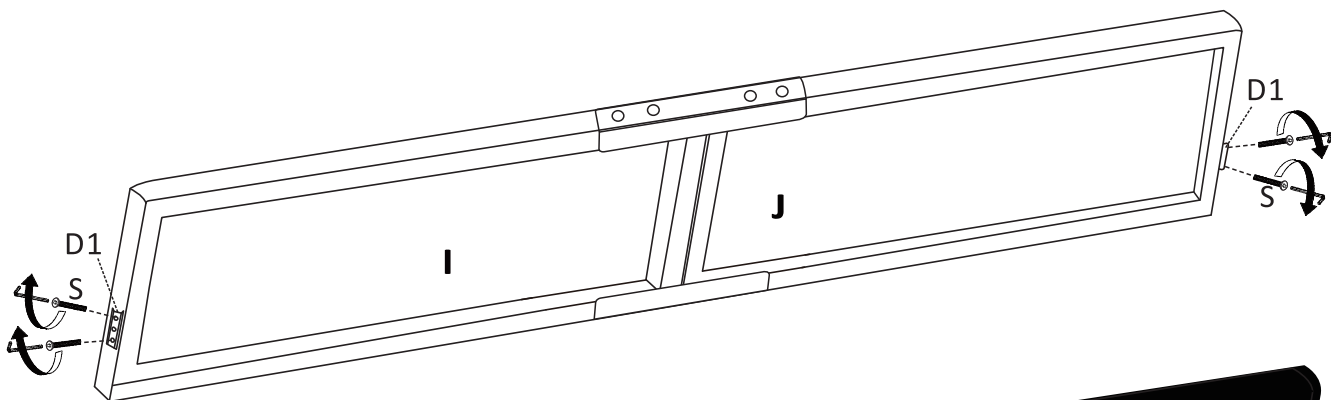
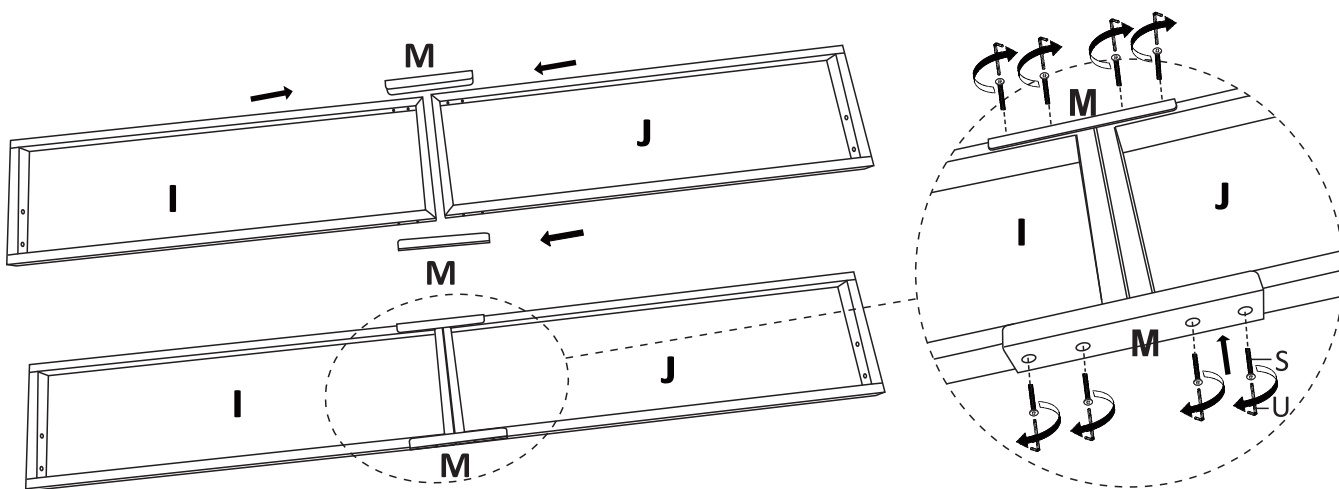
Fasten part I & J fittings with the screws R.

Please do NOT tighten any of the 4 screws until they are all aligned.

Then place cover K on frames I and J.

L Shaped Sofa & U Shaped Sofa

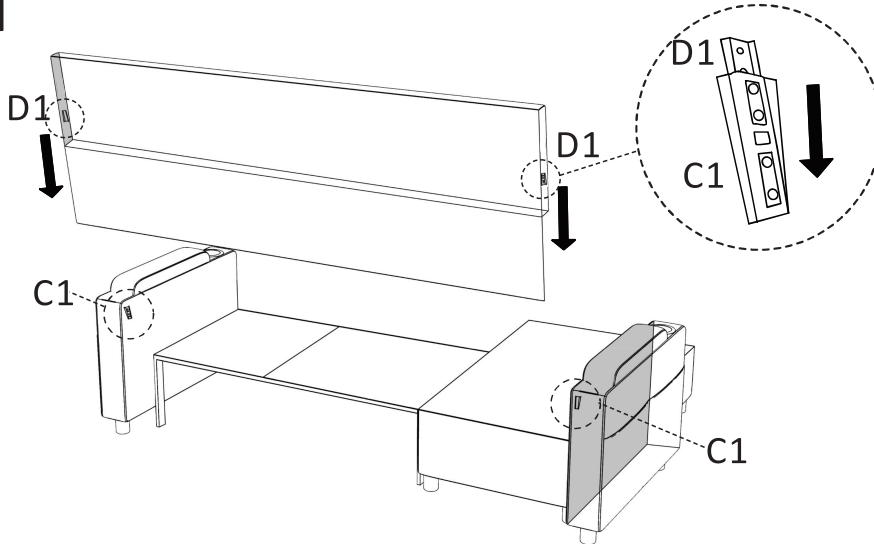
L shape	I		1	J		1	M		2	S		12	U		1
	K		1	D1		2									



Step6

L Shaped & U Shaped Sofa Insert the backrest into the sofa

L shape



When inserting the iron frame l and j into the sofa, it is oriented so that where the metal clasps are located on both sides, the distance below is shorter than the distance above.

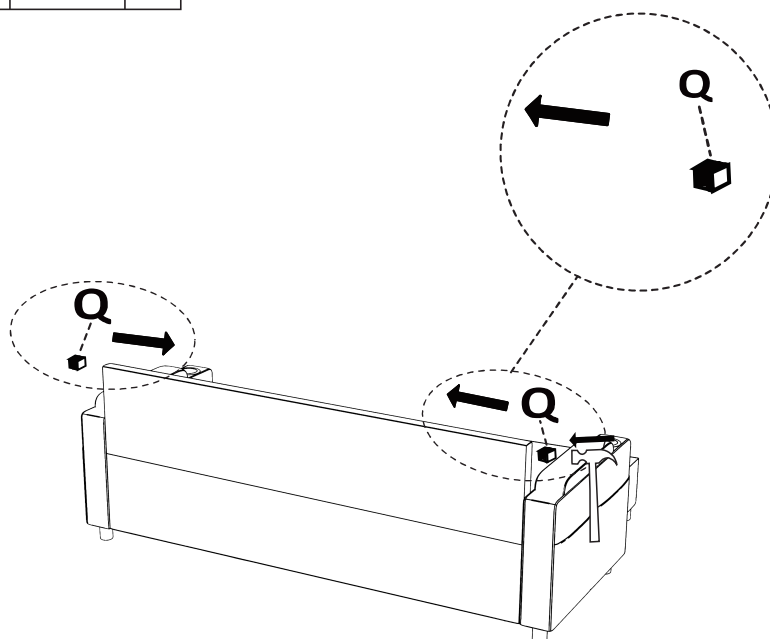
L Shaped & U Shaped Sofa Insert Plastic PART Q into backrest Side

L shape





Q

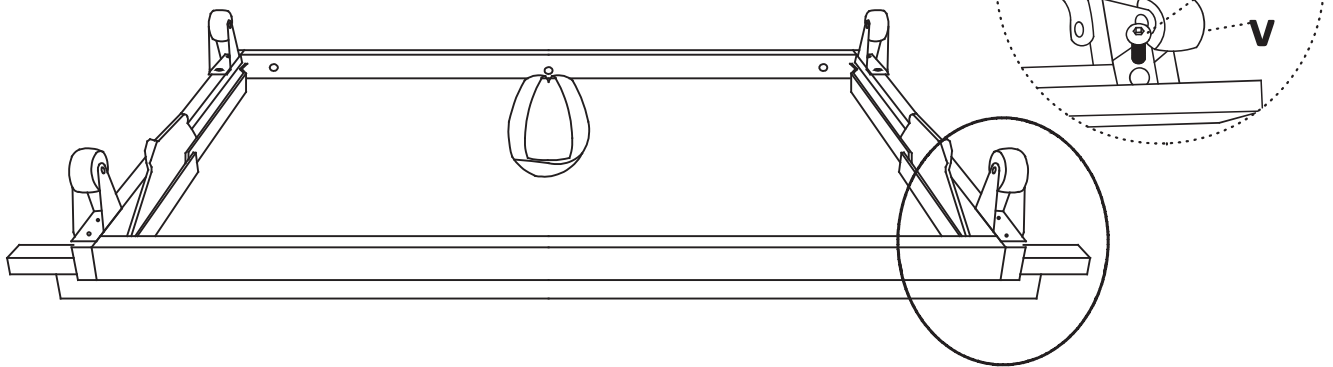





2

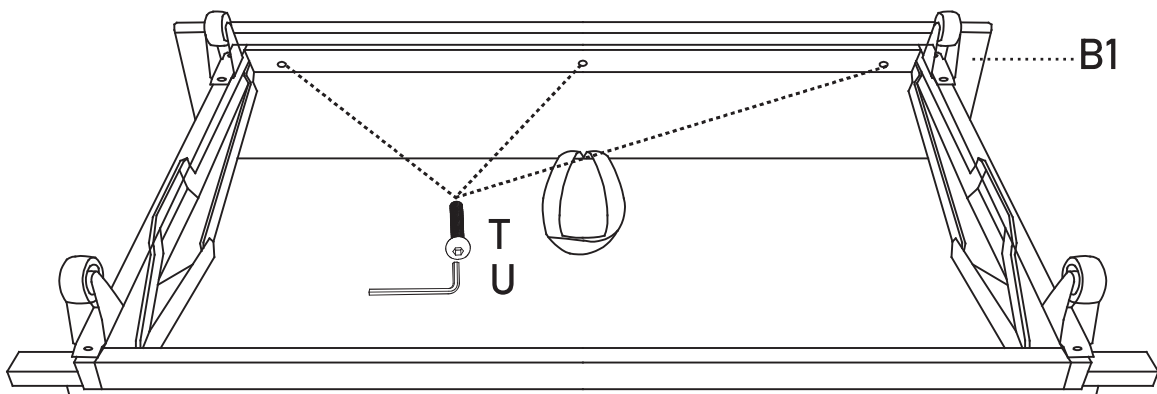


Step7 Put the screws **S** into the holes one by one. Please do not lock any one of the 2 screws before they are all aligned. After aligning them all and then tighten them with Allen Key (part **U**).

L		1
S		8
U		1
V		4

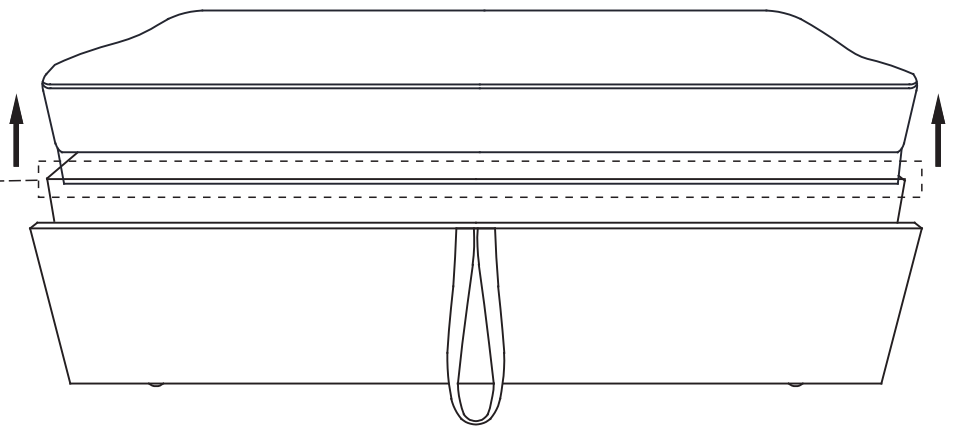
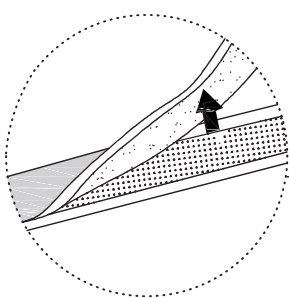
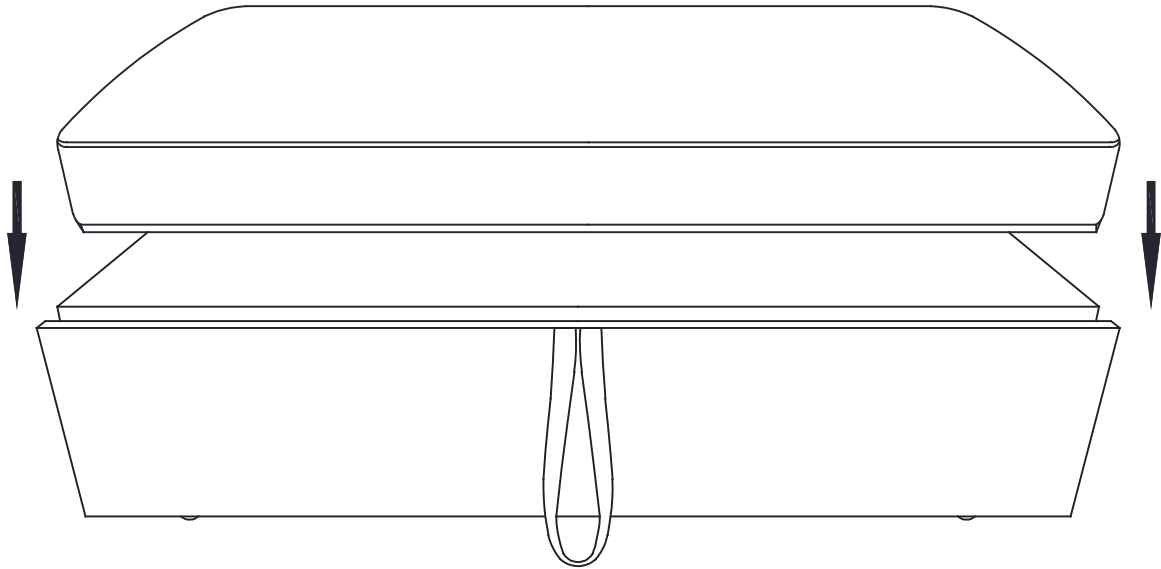


B1		1
T		3
U		1



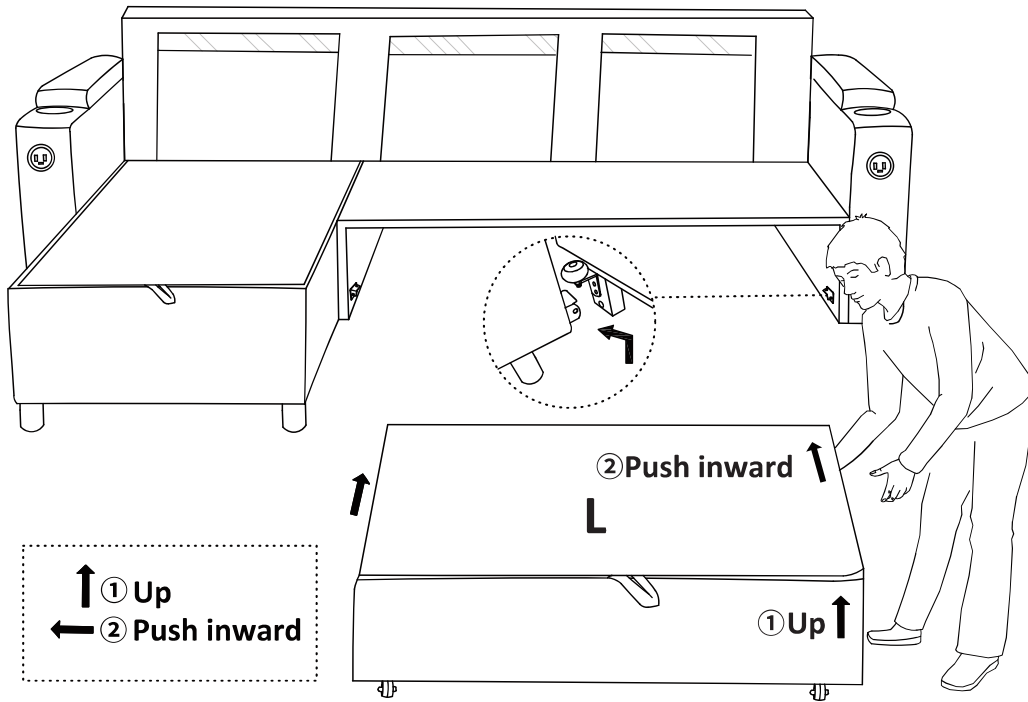
Step8 Wrapping the Velcro around the iron frame to secure the storage basket.

A1		1
----	---	---



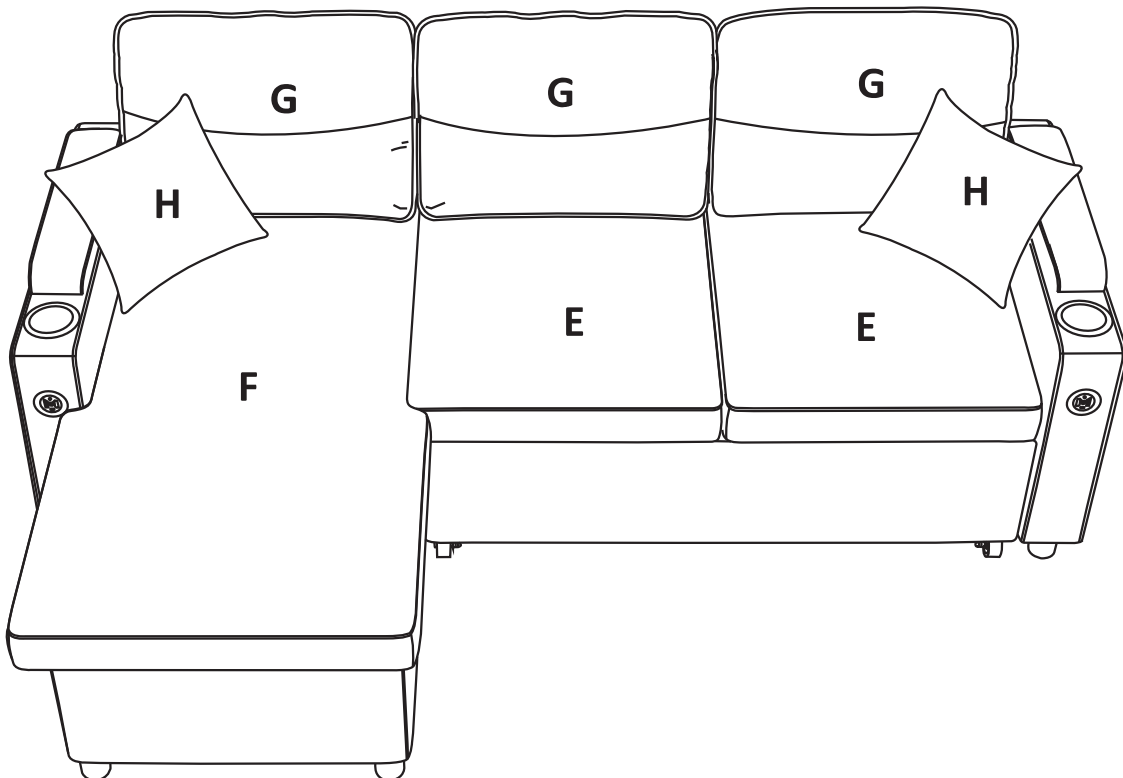
Step9 Please lift up the footrest L so that the wheels are above the iron frame before sliding into the sofa.

L shape L  1



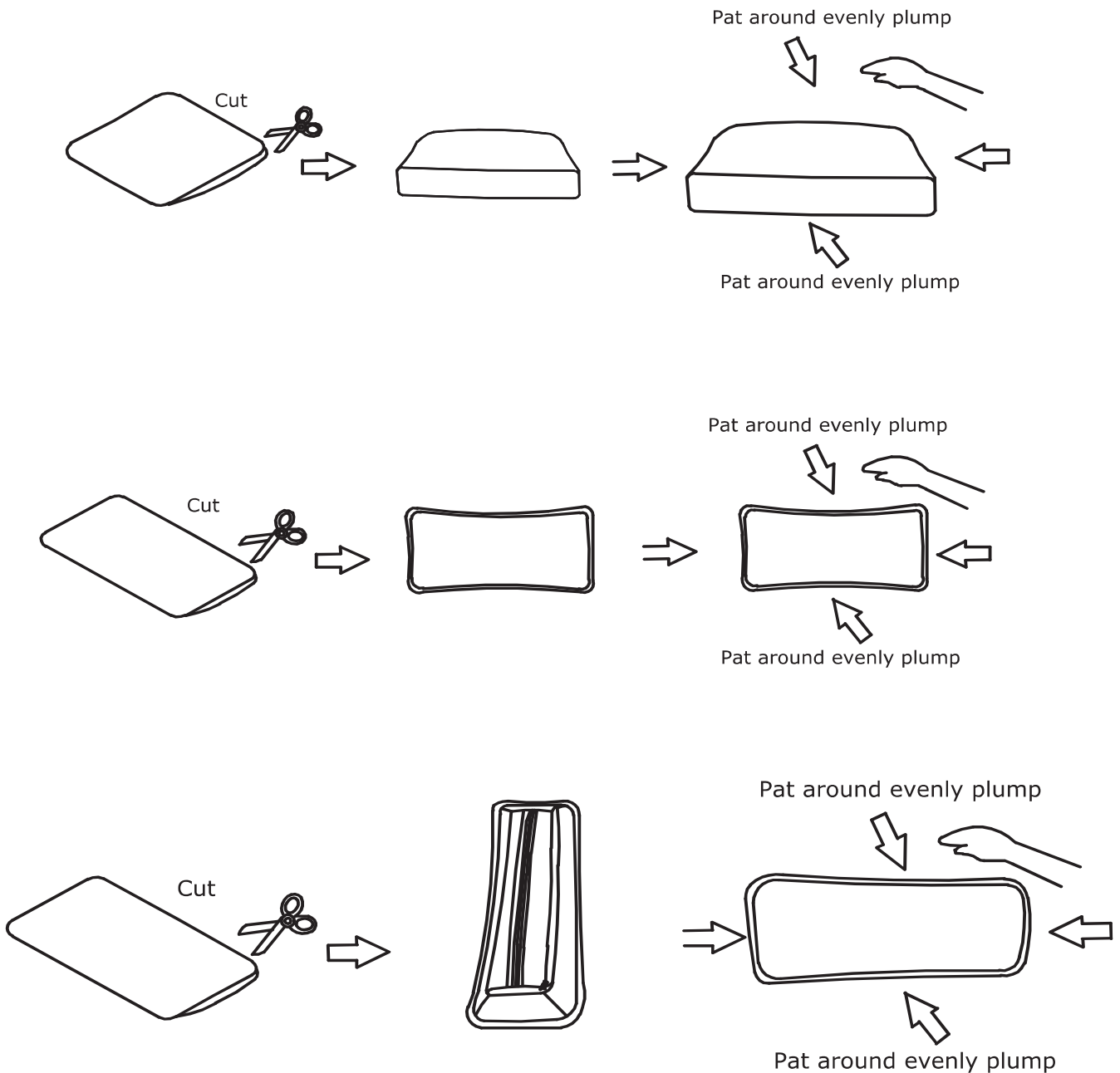
Step10

L shape E  2 F  1 G  3 H  2



Your cushions come vacuum packed and sealed for shipping. To restore the cushion's original shape, follow the steps below.

After packing up, place them somewhere dry and ventilated. After about 72 hours it can be restored to its best-use condition.



Uneven Fabric is a normal phenomenon that the first time you open it, the fabric is uneven. Because the fabric is easy to crease after long time transport in vacuum compression. You can use an iron to smooth it out, have a try!