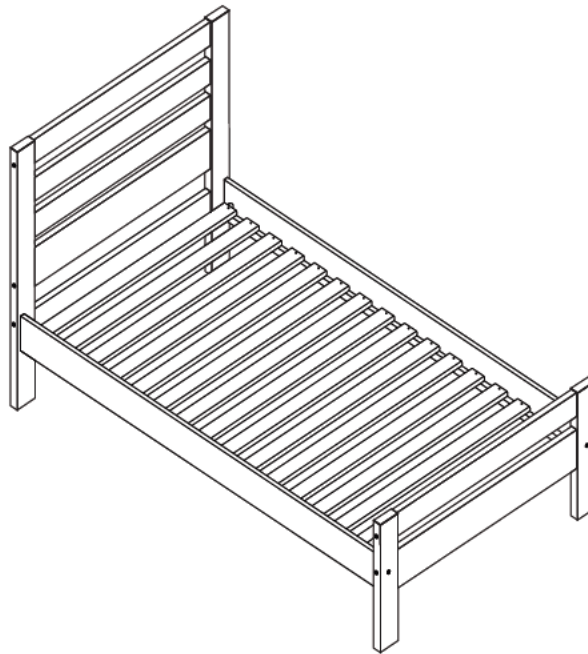


ASSEMBLY INSTRUCTIONS



FOR DOMESTIC USE ONLY

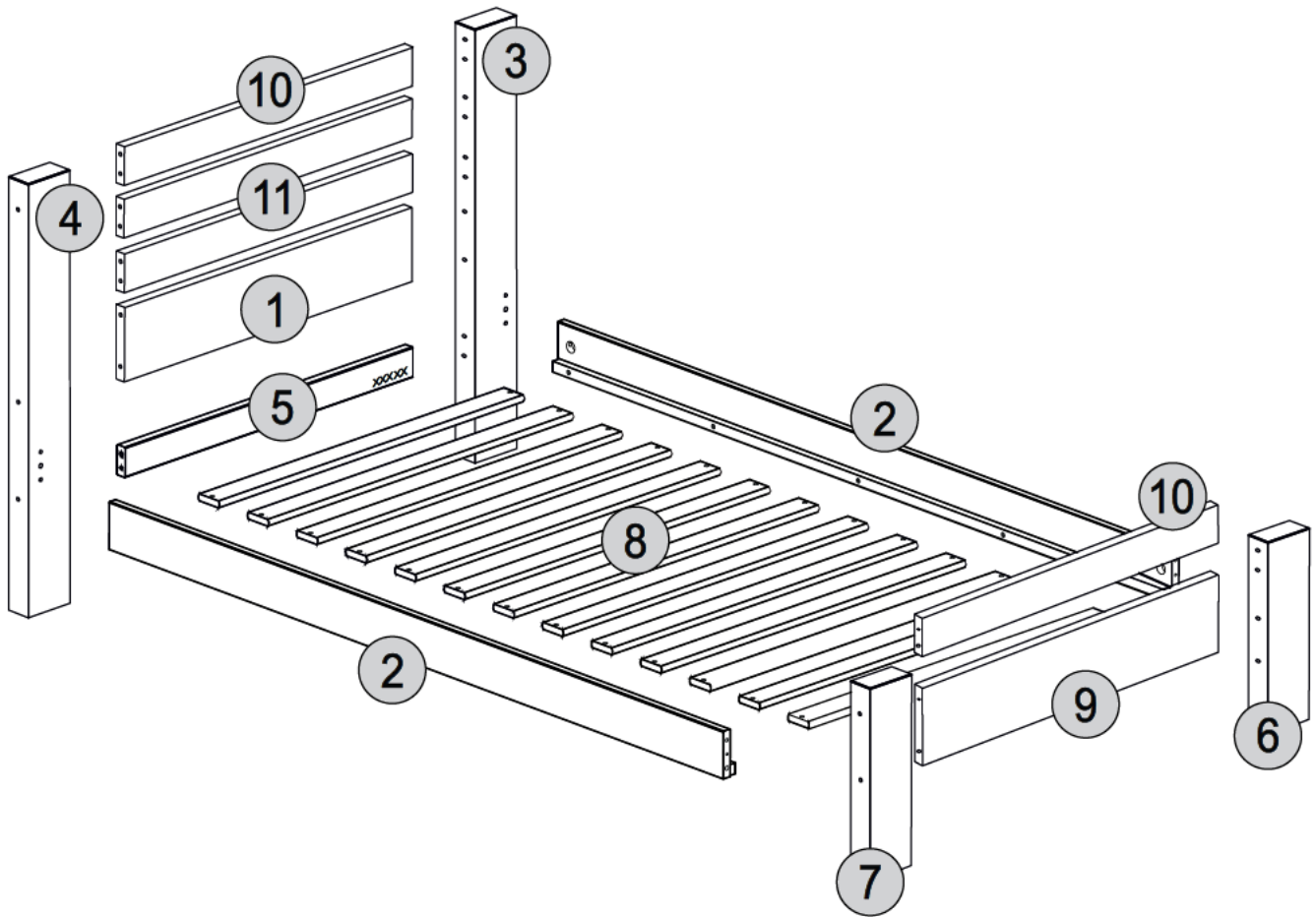
IMPORTANT

PLEASE READ BEFORE YOU CONTINUE FURTHER

CARE AND MAINTENANCE

After unpacking this product please keep the original packaging in case it needs to be returned for any reason.

- Please ensure all fittings and parts are present before commencing with assembly.
- We recommend that you lay a blanket or sheet on the floor to avoid damage to both your floor and the product.
- We strongly recommend that you keep children away from your work area.
- Assemble this product as close to its final position as possible.
- Never drag or push products as this could cause damage to the joints making it inferior.
- Do not place this product next to a radiator or in direct sunlight.
- Wood is a natural product and may expand if subjected to damp and may shrink or crack if subjected to heat. Therefore it is recommended that room temperature is maintained, with no sudden temperature fluctuations.
- Make sure any spillage is wiped off immediately.
- Do not place hot or chilled items directly on to the surface, use a place mat or marking will occur.
- For general cleaning use a duster, and do not use detergents of any kind. However, the surface will need to be retreated from time to time. This can be done by using block wax (unperfumed) and rubbing it over the whole item.
- From time to time it may be necessary to tighten fittings, regular inspections should be carried out.




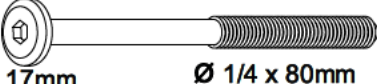


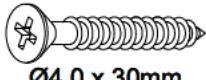

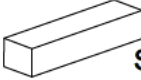
* Use of power tools to assemble this product will invalidate any claim and damage this product making it unsafe !!!
 * Please assemble on a clean soft surface to avoid damage.

* Please check contents and read the instructions before commencing assembly.
 * Assemble this product following the enclosed instructions carefully.
 * Please take care to avoid damaging panels during assembly.

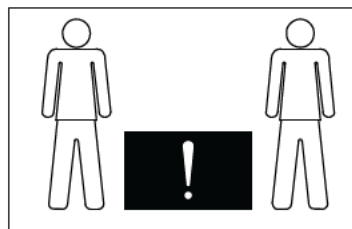
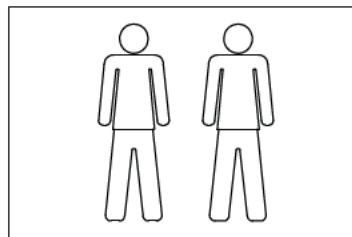
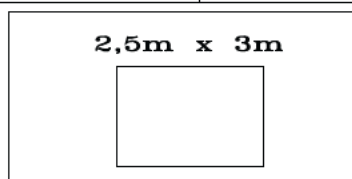
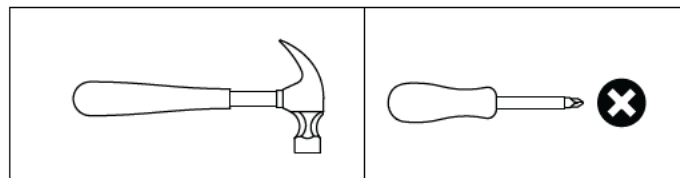
PARTS LIST

Part Number	Part Code	Part Description	Quantity	Carton
1		Headboard Panel	1	2/2
2		Siderail	2	1/2
3		Headboard Right Post	1	2/2
4		Headboard Left Post (Green)	1	2/2
5		Headboard Crossbeam	1	2/2
6		Footboard Right Post	1	2/2
7		Footboard Left Post (Green)	1	2/2
8		Slats	13	2/2
9		Footboard Panel	1	2/2
10		Head & Footboard Top Panel	2	2/2
11		Centre Headboard Panel	2	2/2

FITTINGS

A	 $\text{Ø}8 \times 50\text{mm}$	26
B	 17mm $\text{Ø} 1/4 \times 80\text{mm}$	04
C	 $1/4$	04
D	 17mm $\text{Ø}7 \times 130\text{mm}$	10
E	 $\text{Ø}4,0 \times 30\text{mm}$	26
F		01
G	 SPACER 84mm	02

TOOLS REQUIRED



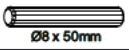
STEP 1

PARTS REQUIRED

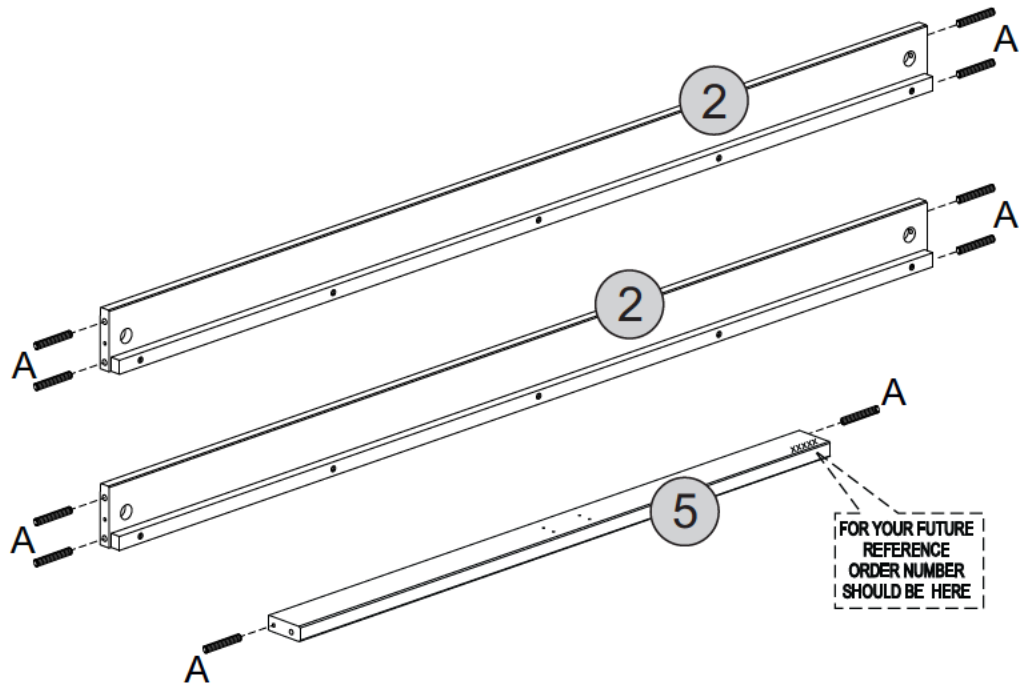
2 SIDERAIL x2


5 HEADBOARD CROSSBEAM x1

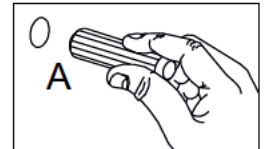
HARDWARE REQUIRED

A  10
Ø8 x 50mm

TOOLS REQUIRED



 Please assemble on a clean soft surface to avoid damage.



STEP 2

PARTS REQUIRED

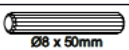
1 HEADBOARD PANEL x1

9 FOOTBOARD PANEL x1

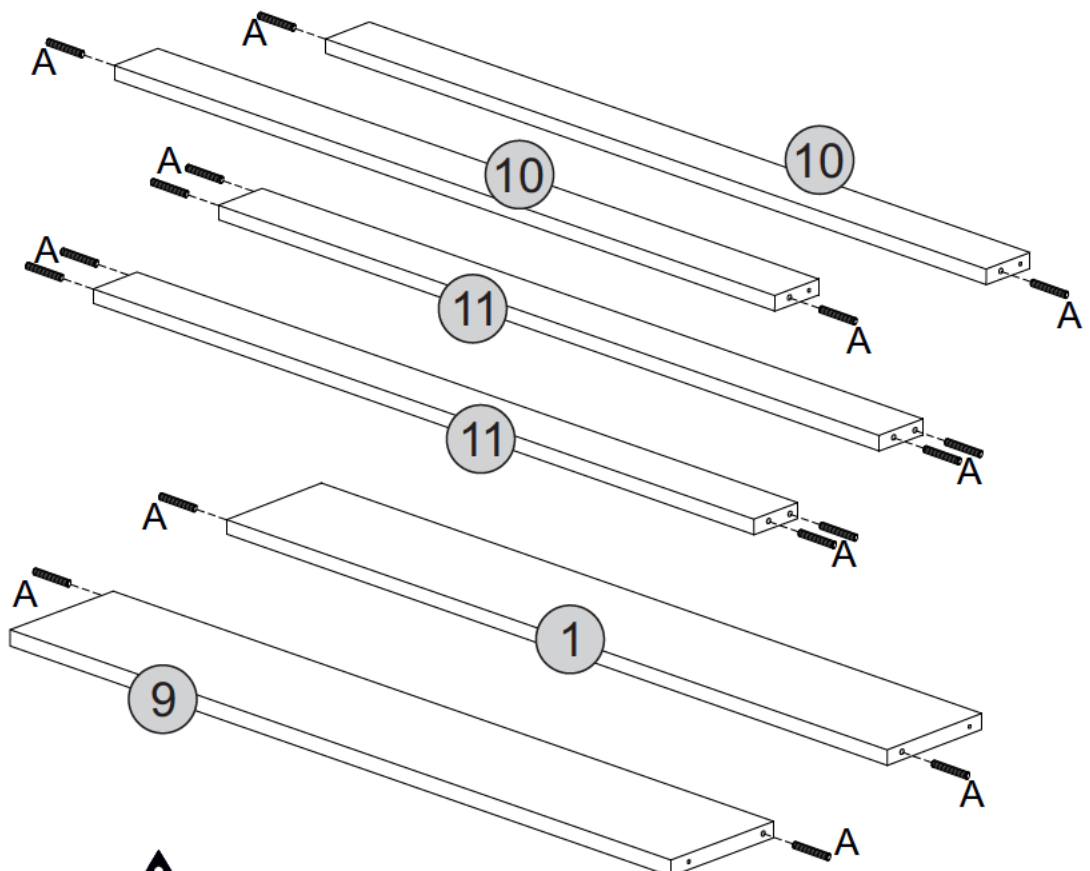
10 HEAD & FOOTBOARD TOP PANEL x2


11 CENTRE HEADBOARD PANEL x2

HARDWARE REQUIRED

A  16
Ø8 x 50mm

TOOLS REQUIRED



 Please assemble on a clean soft surface to avoid damage.

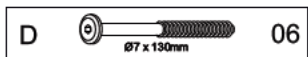


STEP 3

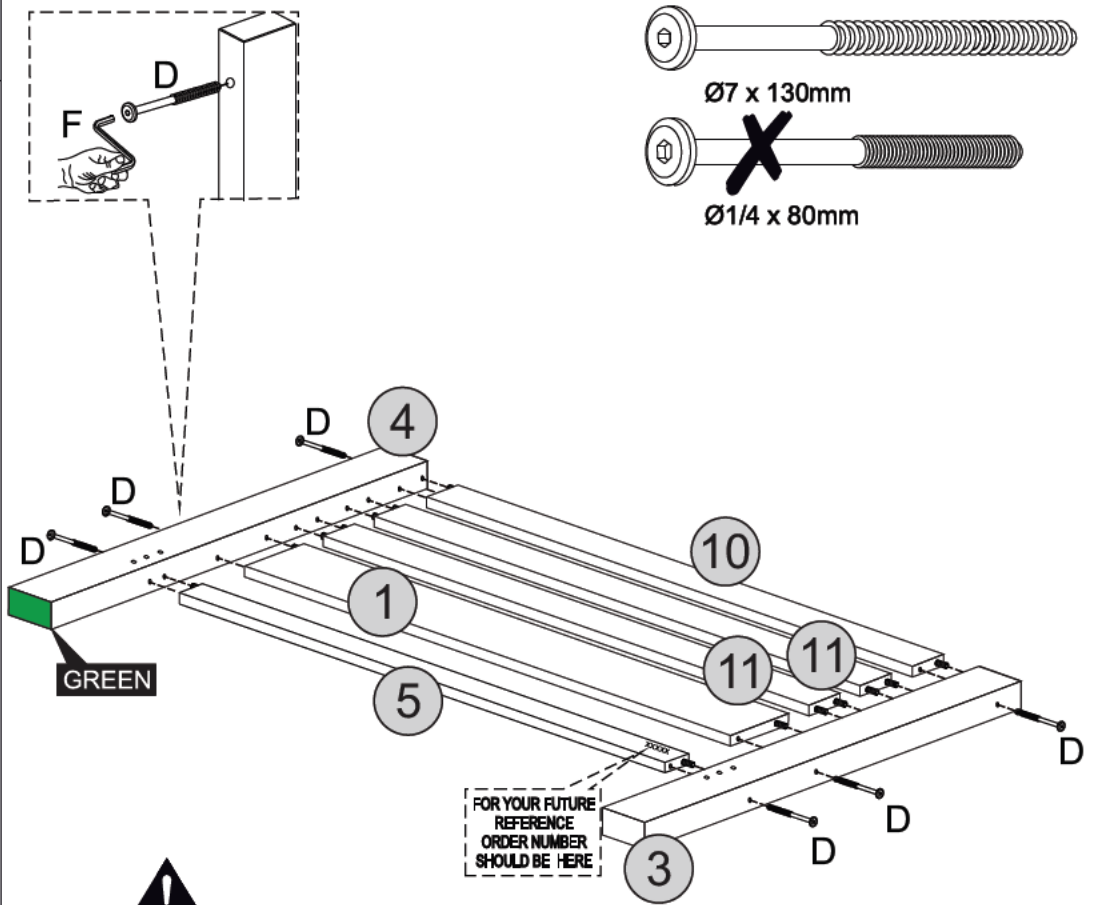
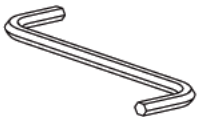
PARTS REQUIRED

- 1 HEADBOARD PANEL x1
- 3 HEADBOARD RIGHT POST x1
- 4 HEADBOARD LEFT POST (GREEN) x1
- 5 HEADBOARD CROSSBEAM x1
- 10 HEAD & FOOTBOARD TOP PANEL x1
- 11 CENTRE HEADBOARD PANEL x2

HARDWARE REQUIRED



TOOLS REQUIRED



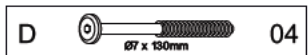
!
Please assemble on a clean soft surface to avoid damage.

STEP 4

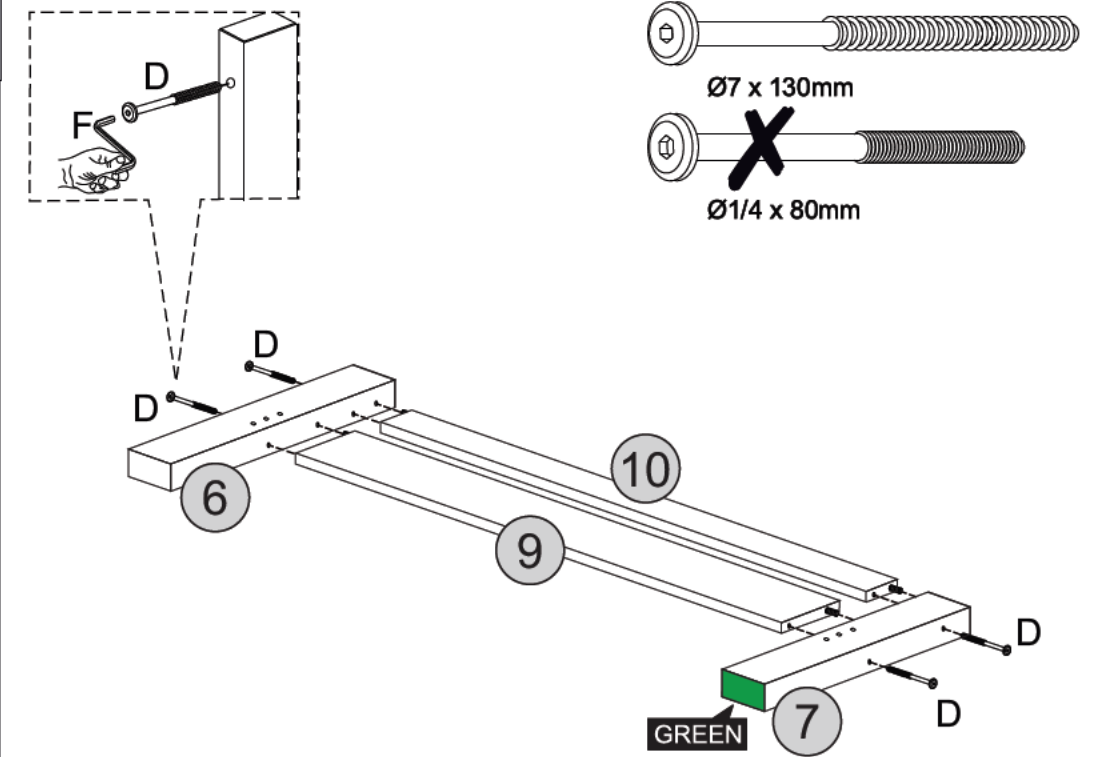
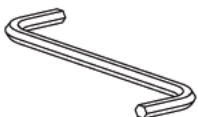
PARTS REQUIRED

- 6 FOOTBOARD RIGHT POST x1
- 7 FOOTBOARD LEFT POST (GREEN) x1
- 9 FOOTBOARD PANEL x1
- 10 HEAD & FOOTBOARD TOP PANEL x1

HARDWARE REQUIRED



TOOLS REQUIRED

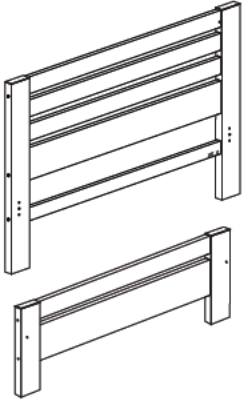


!
Please assemble on a clean soft surface to avoid damage.


STEP 5

PARTS REQUIRED

2 SIDERAIL x2

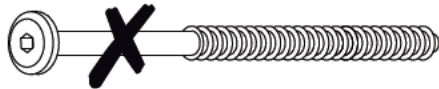
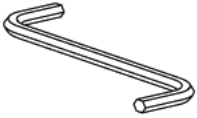


HARDWARE REQUIRED

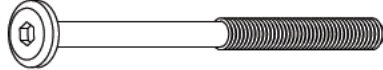
B  04
Ø1/4 x 80mm

C  04
1/4

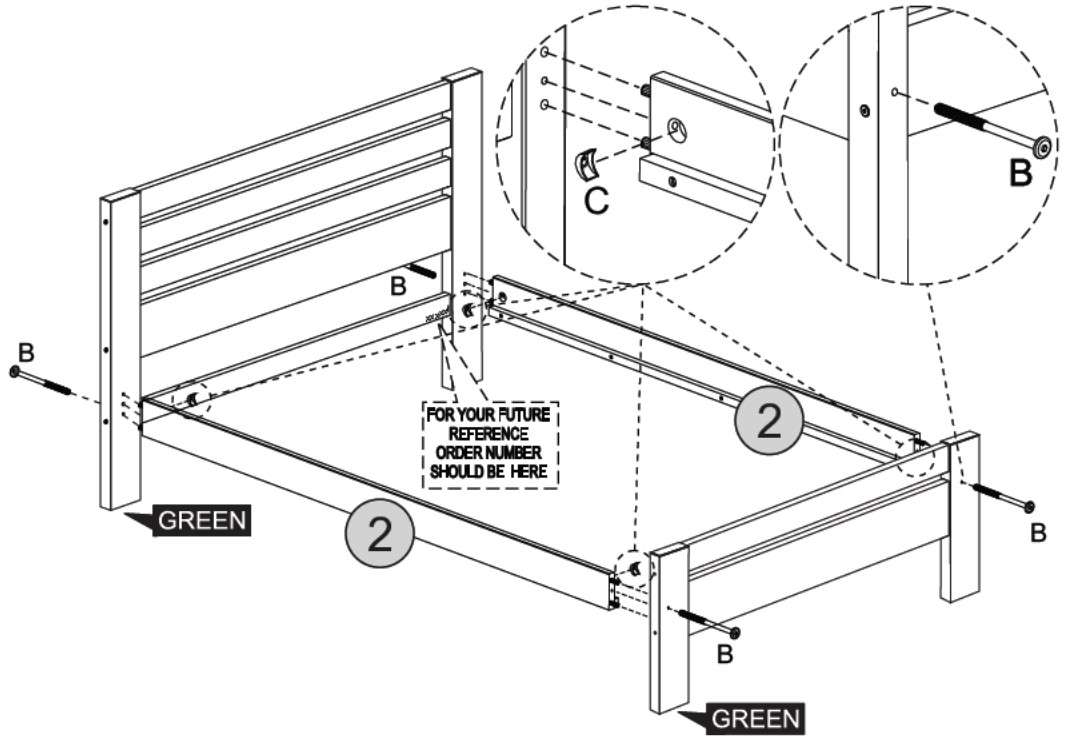
TOOLS REQUIRED



Ø7 x 130mm



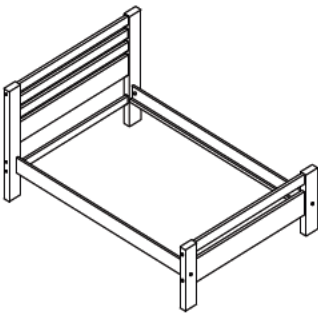
Ø1/4 x 80mm




STEP 6

PARTS REQUIRED

8 SLATS x13

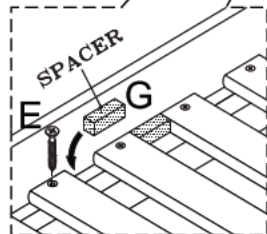
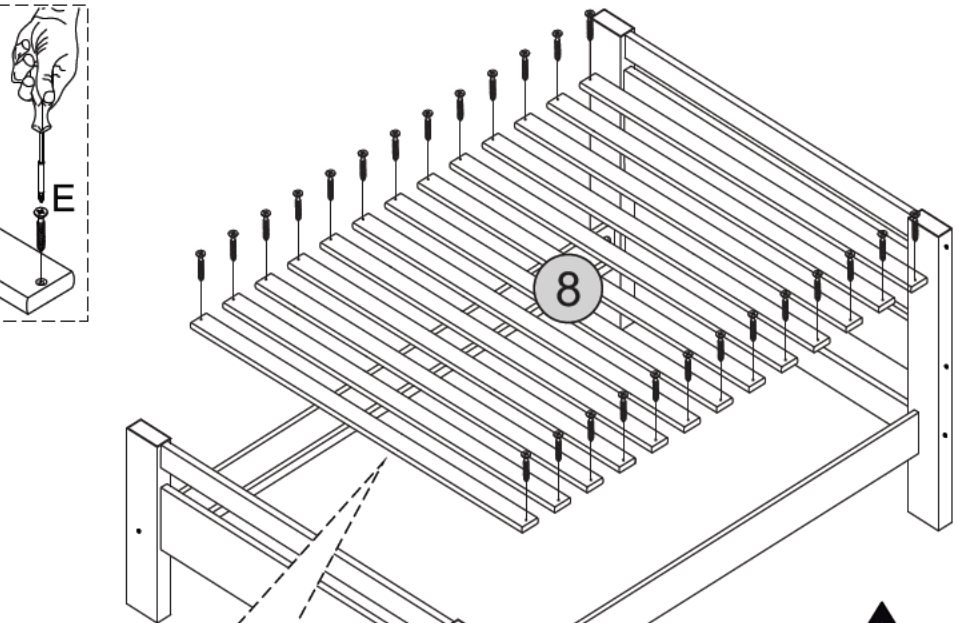


HARDWARE REQUIRED

E  26
Ø4,0 x 30mm

G  02
SPACER 84mm

TOOLS REQUIRED



100KG
MAX BED WEIGHT

!
Please fix the first slats adjacent to the headboard and footboard and work towards the middle of the bed using the spacer (G) as shown to ensure correct spacing. Fix all the slats to one siderail first then push the second siderail tight against the slats and fix.