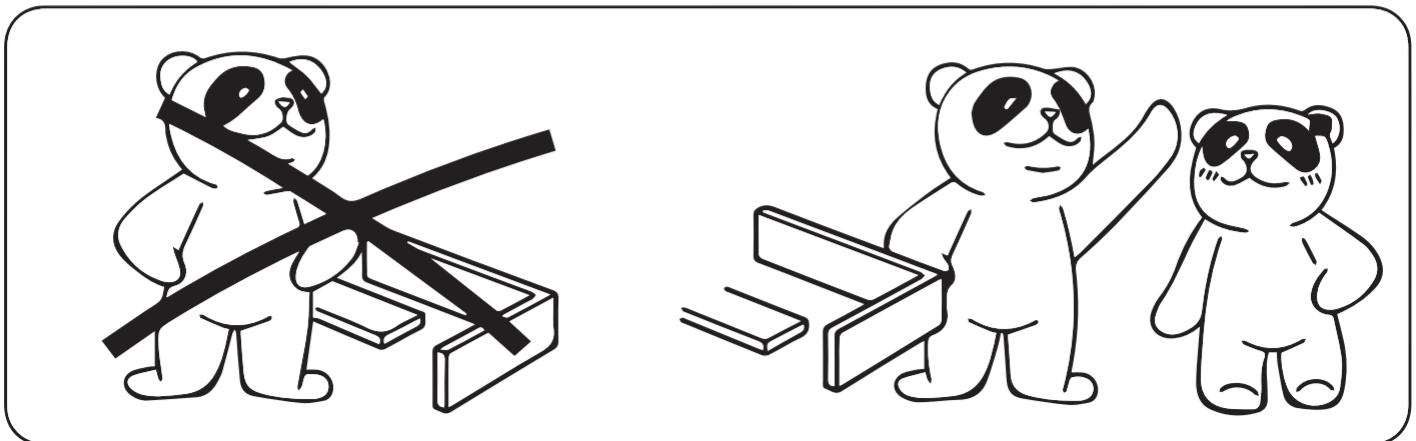
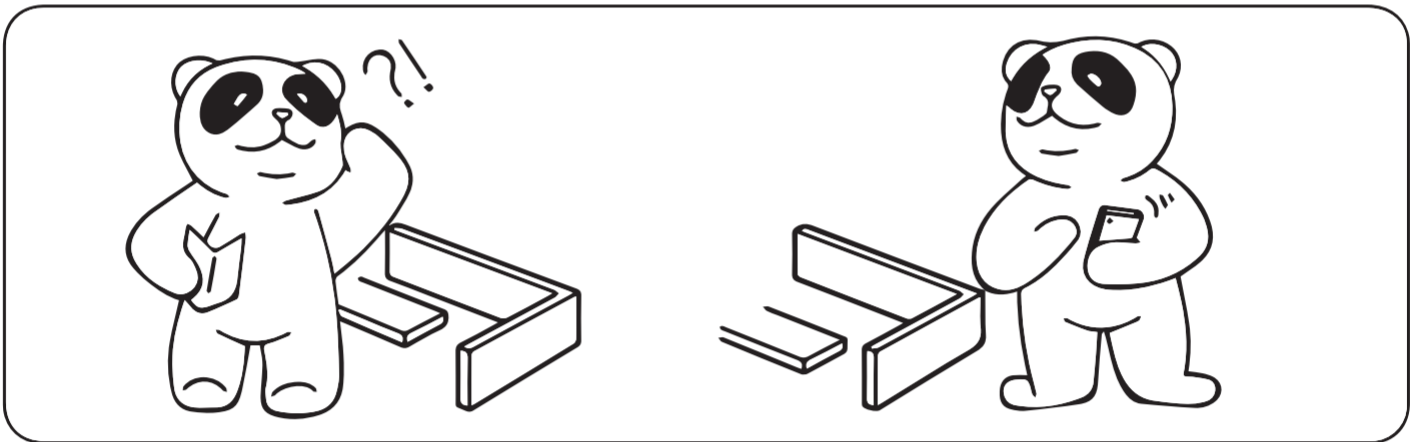
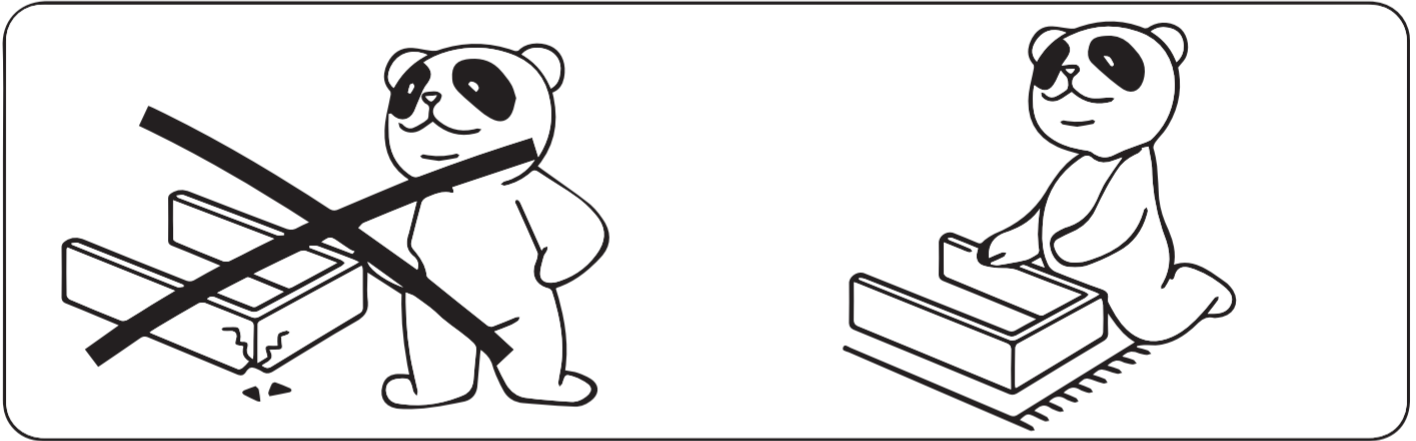
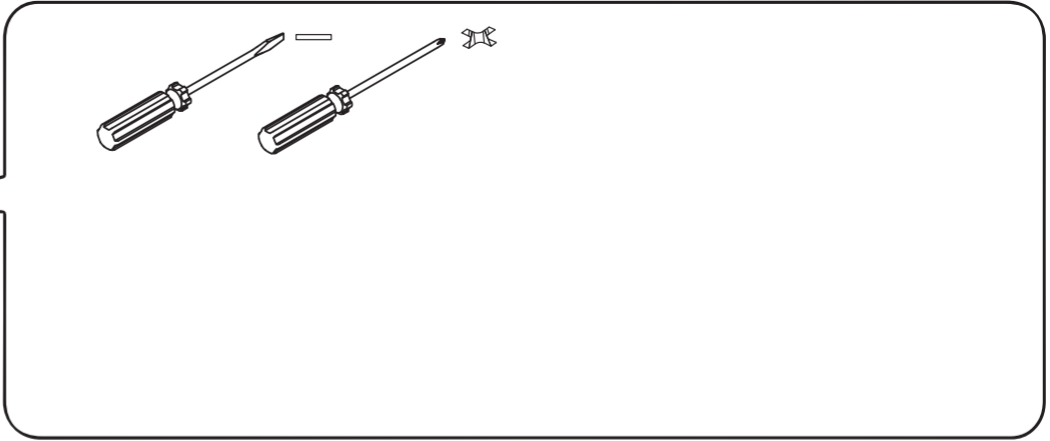
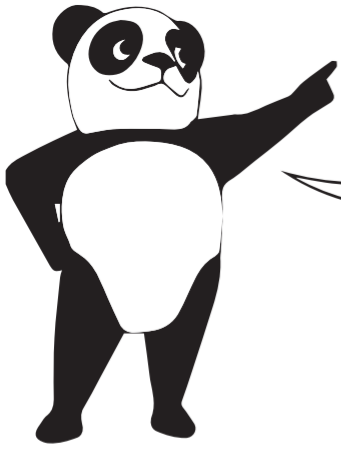
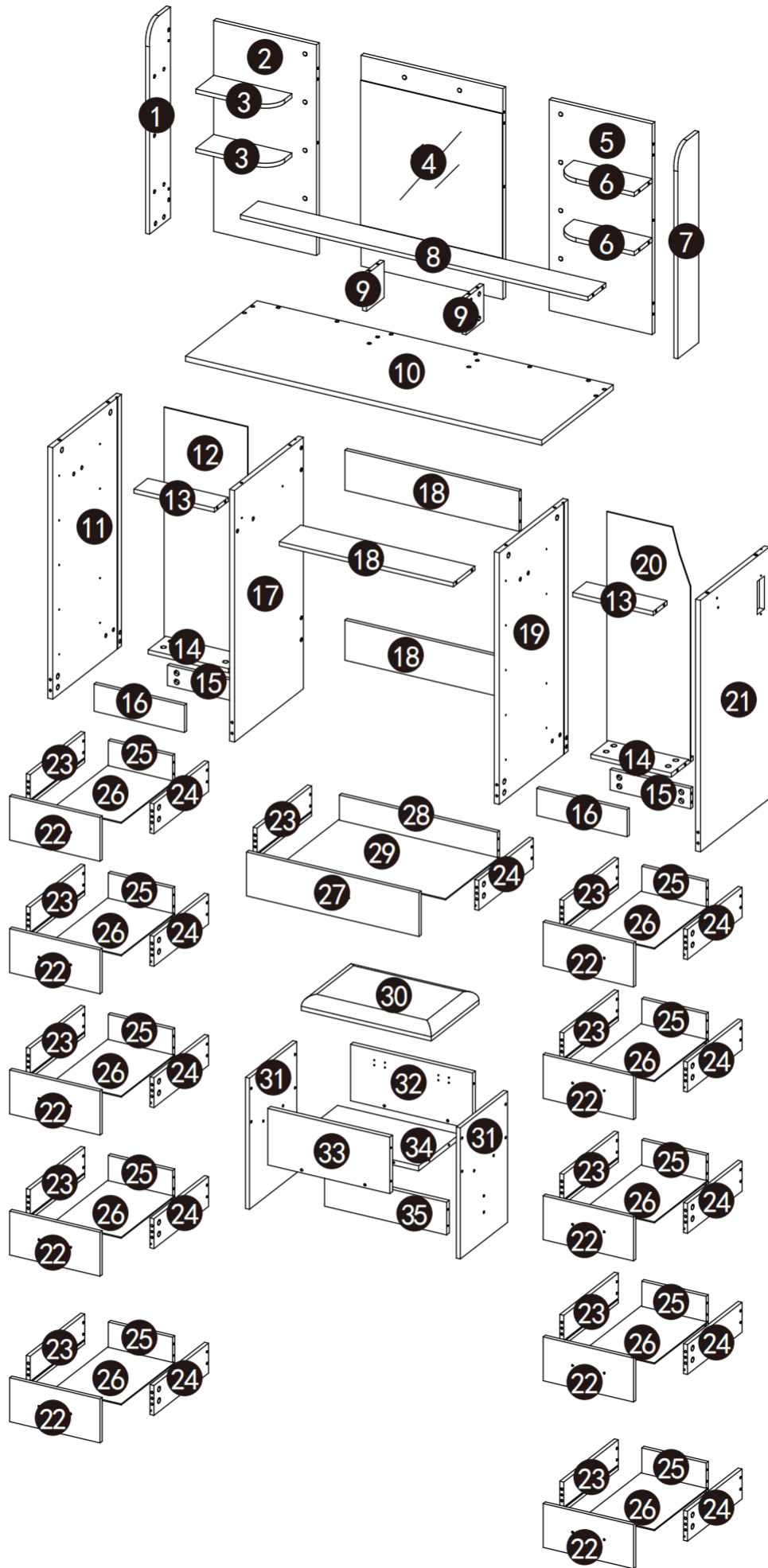
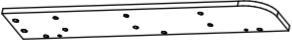
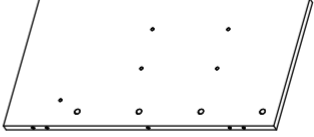

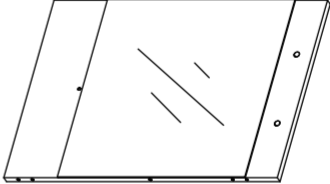
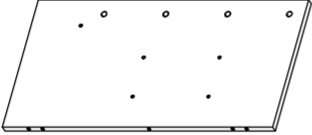


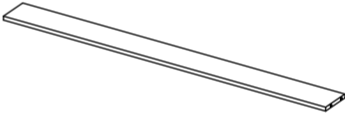
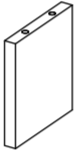
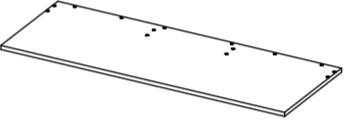
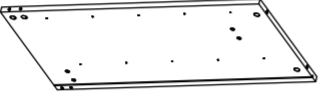


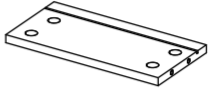
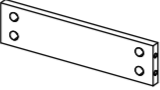
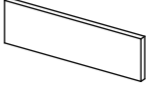


Installation & Assembly

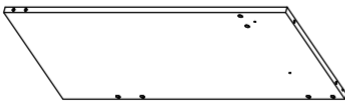
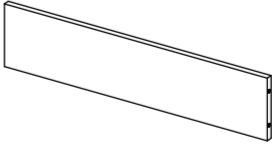
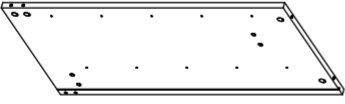
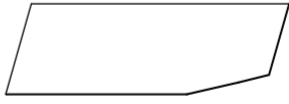

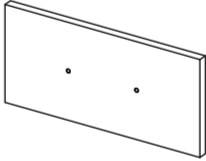
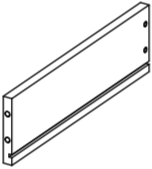
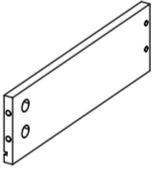

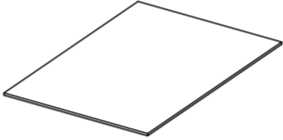
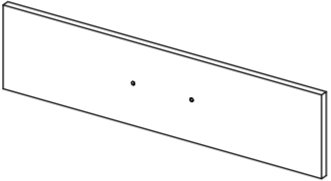
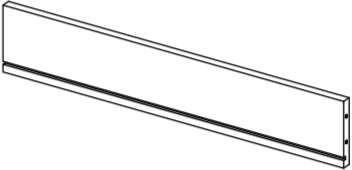
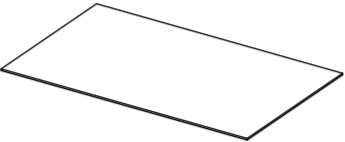
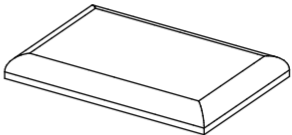
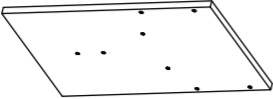
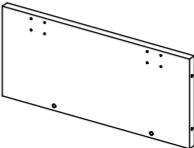




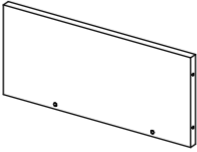
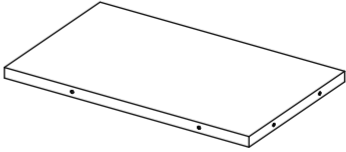
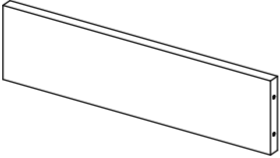
PARTS LIST

Item no.	Reference Image	Qty.	Item no.	Reference Image	Qty.
1		x1	2		x1
3		x2	4		x1
5		x1	6		x2
7		x1	8		x1
9		x2	10		x1
11		x1	12		x1
13		x2	14		x2
15		x2	16		x2



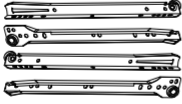
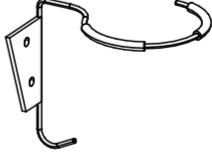



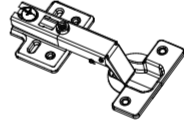

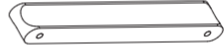


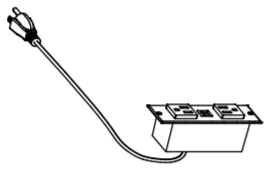
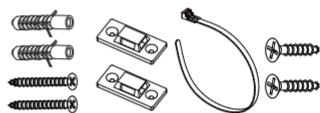
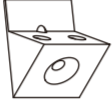




PARTS LIST

Item no.	Reference Image	Qty.	Item no.	Reference Image	Qty.
17		x1	18		x3
19		x1	20		x1
21		x1	22		x10
23		x11	24		x11
25		x10	26		x10
27		x1	28		x1
29		x1	30		x1
31		x2	32		x1

PARTS LIST

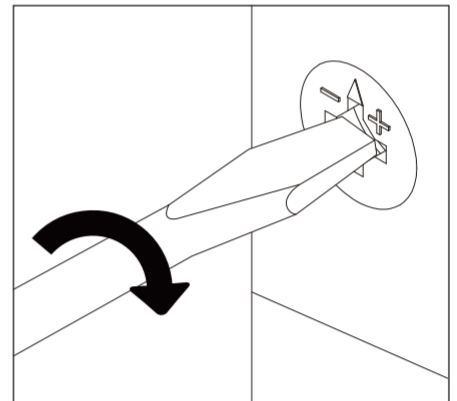
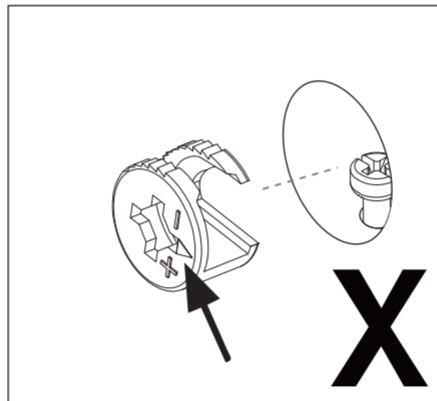
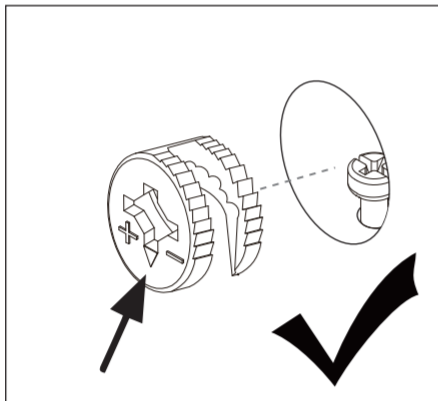
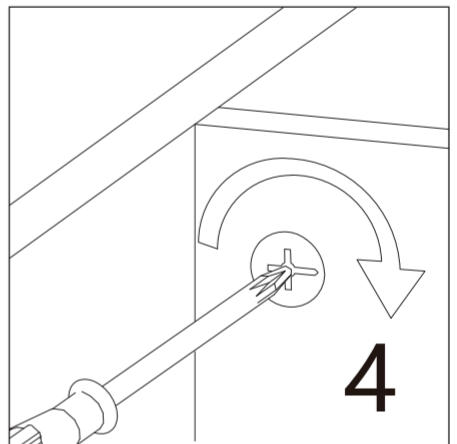
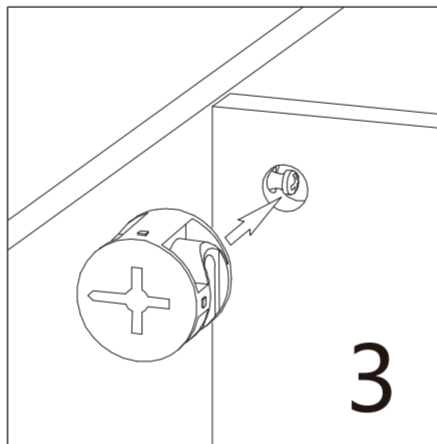
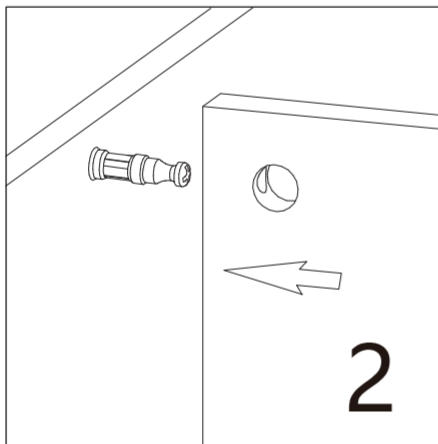
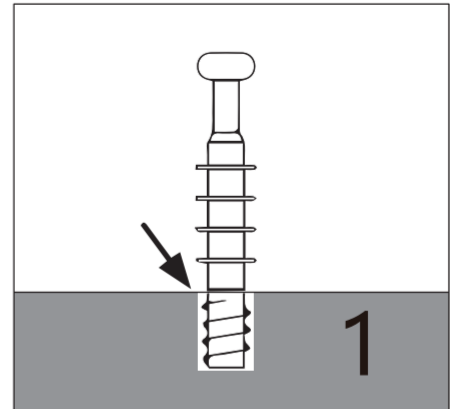
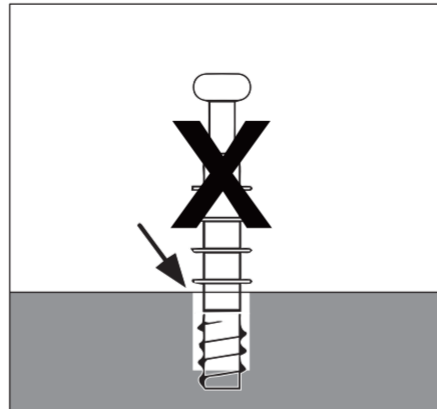
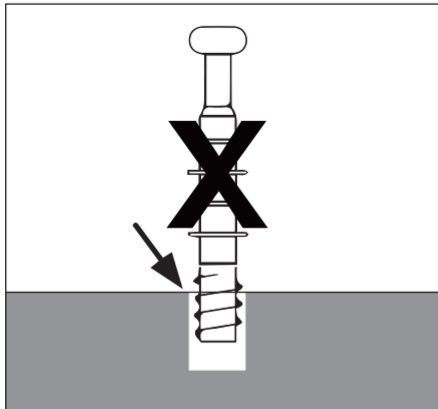
Item no.	Reference Image	Qty.	Item no.	Reference Image	Qty.
33		x1	34		x1
35		x1			

HARDWARE LIST

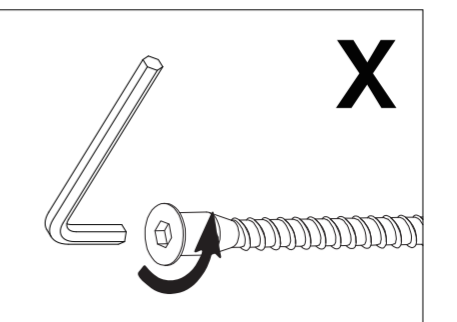
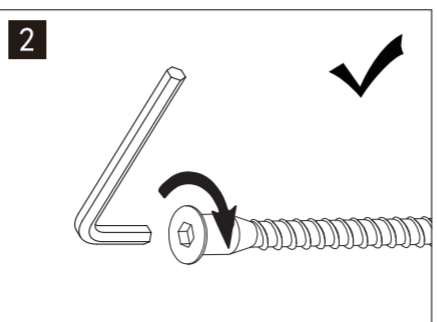
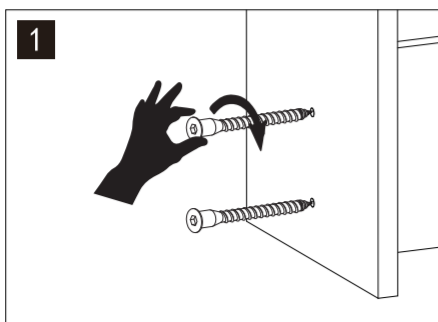
Item no.	Reference Image	Qty.	Item no.	Reference Image	Qty.
A	 6x35	x138	B	 12x9	x138
C	C=CI+CR+DL+DR  12inches	x11	D		x1
E	 M3x12	x126	F	 M5x40/#3	x75/x1
G	 φ12x5	x12	H	 Hinge	x2
I		x2	J	 96mm	x11
K	 M4x14	x22	L		x10
M		x1	N		x2
O		x14	P		x1
Q		x30	R		x6
S	 M3.5x12	x2			

Hardware installation indication

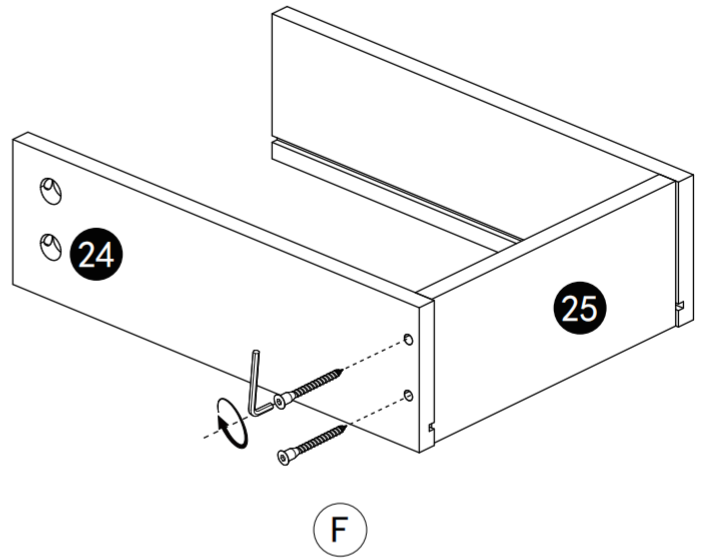
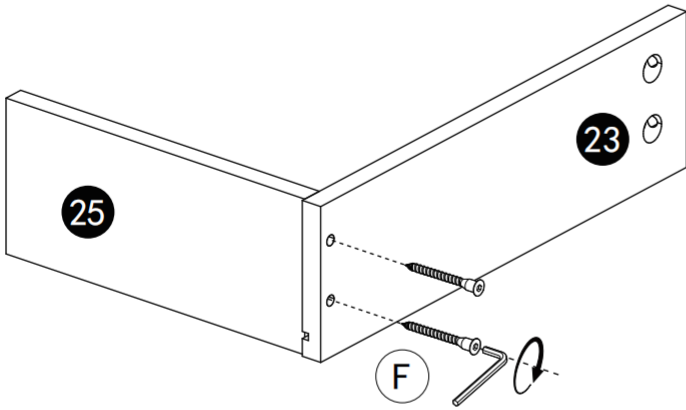
Installation method of three in one rod and buckle



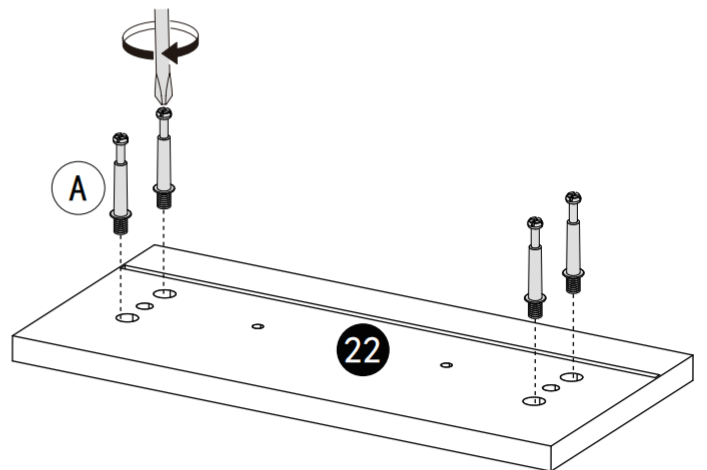
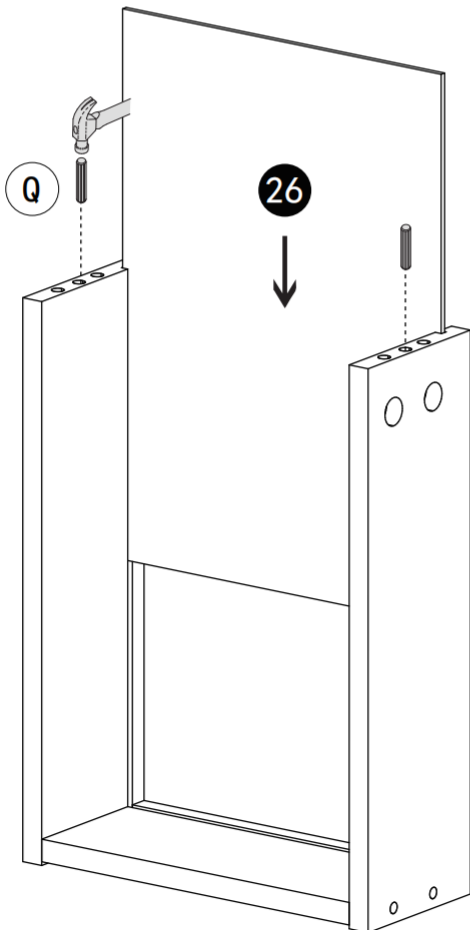
Screw installation method

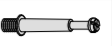




1

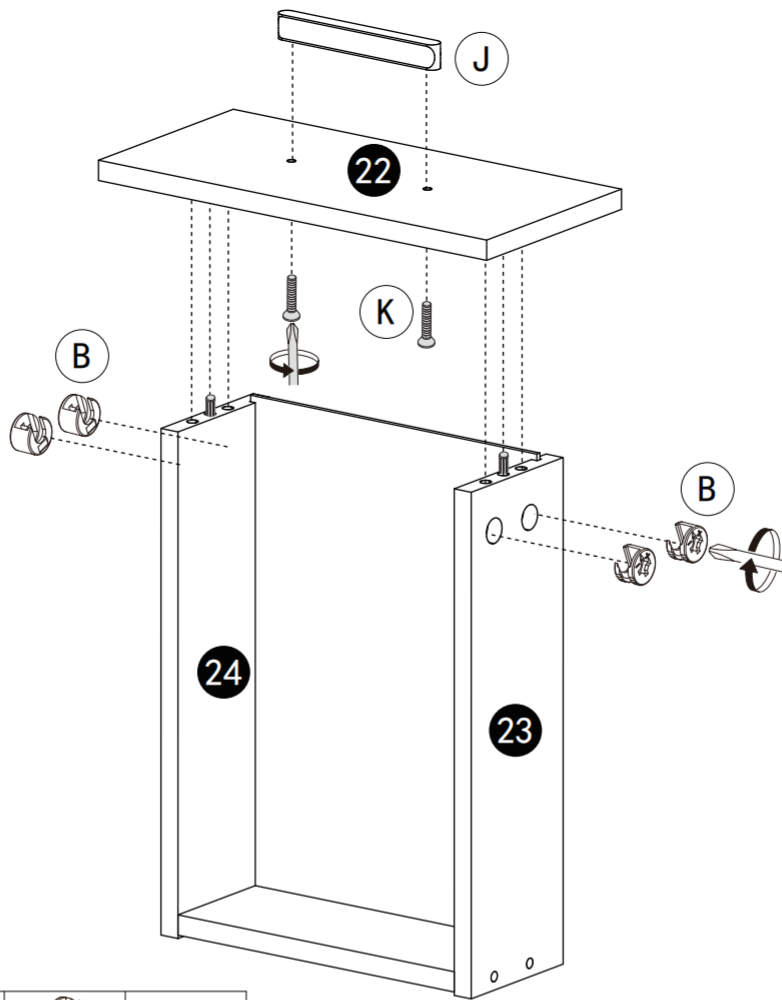





X10



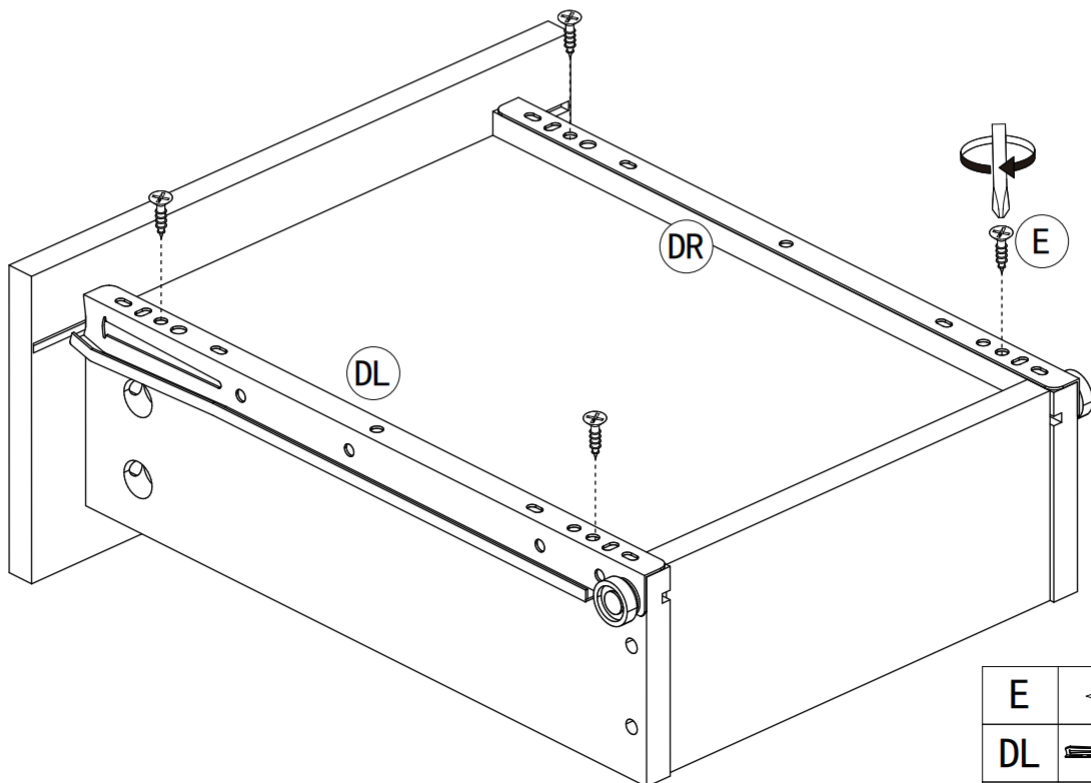
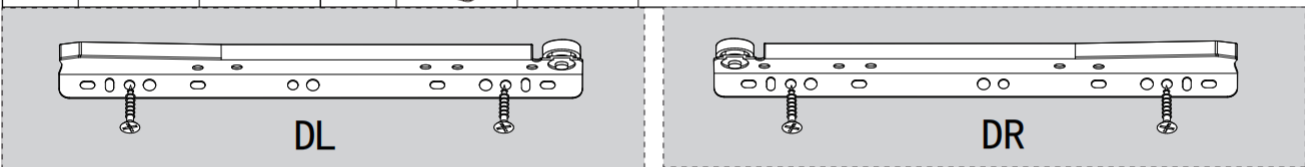
	A		x40
Q			x20
	F		x40




2



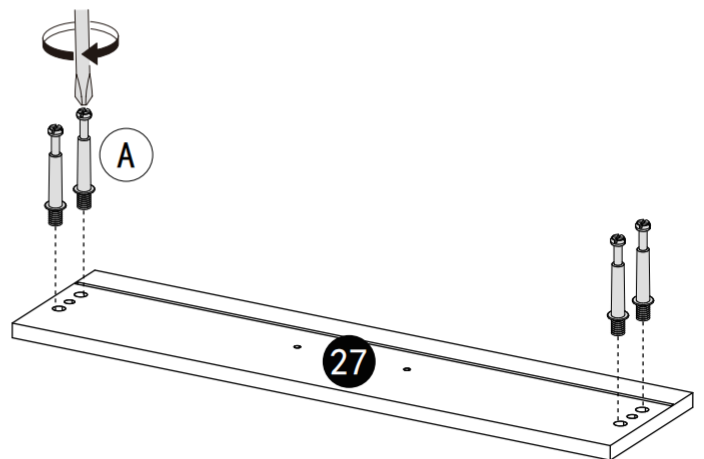
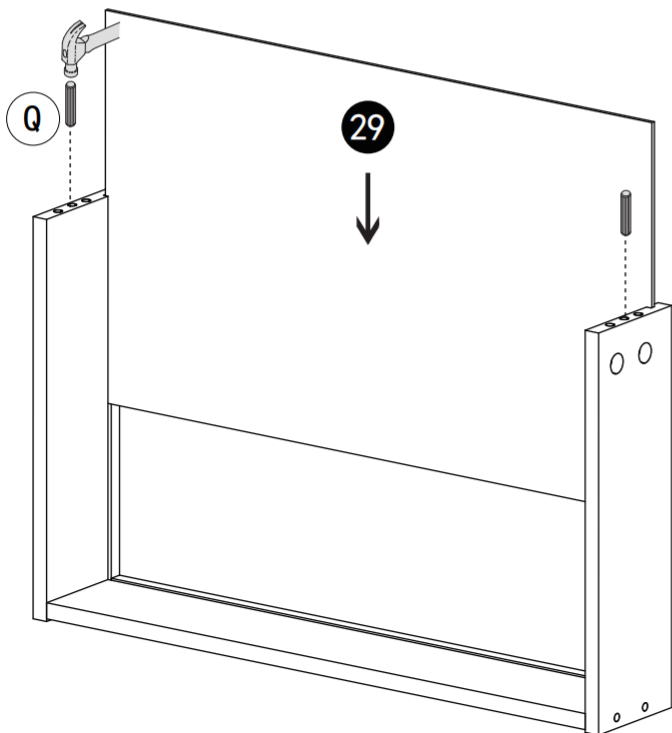
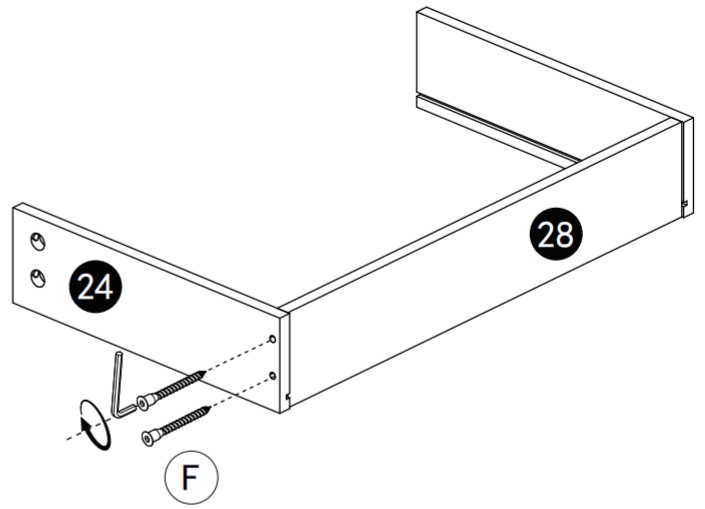
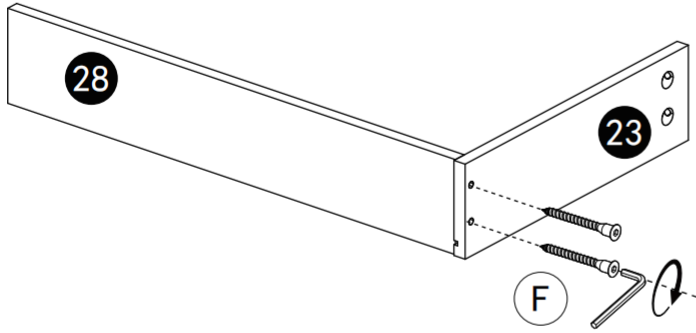
J		x10	B		x40
K		x20			



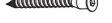
X10

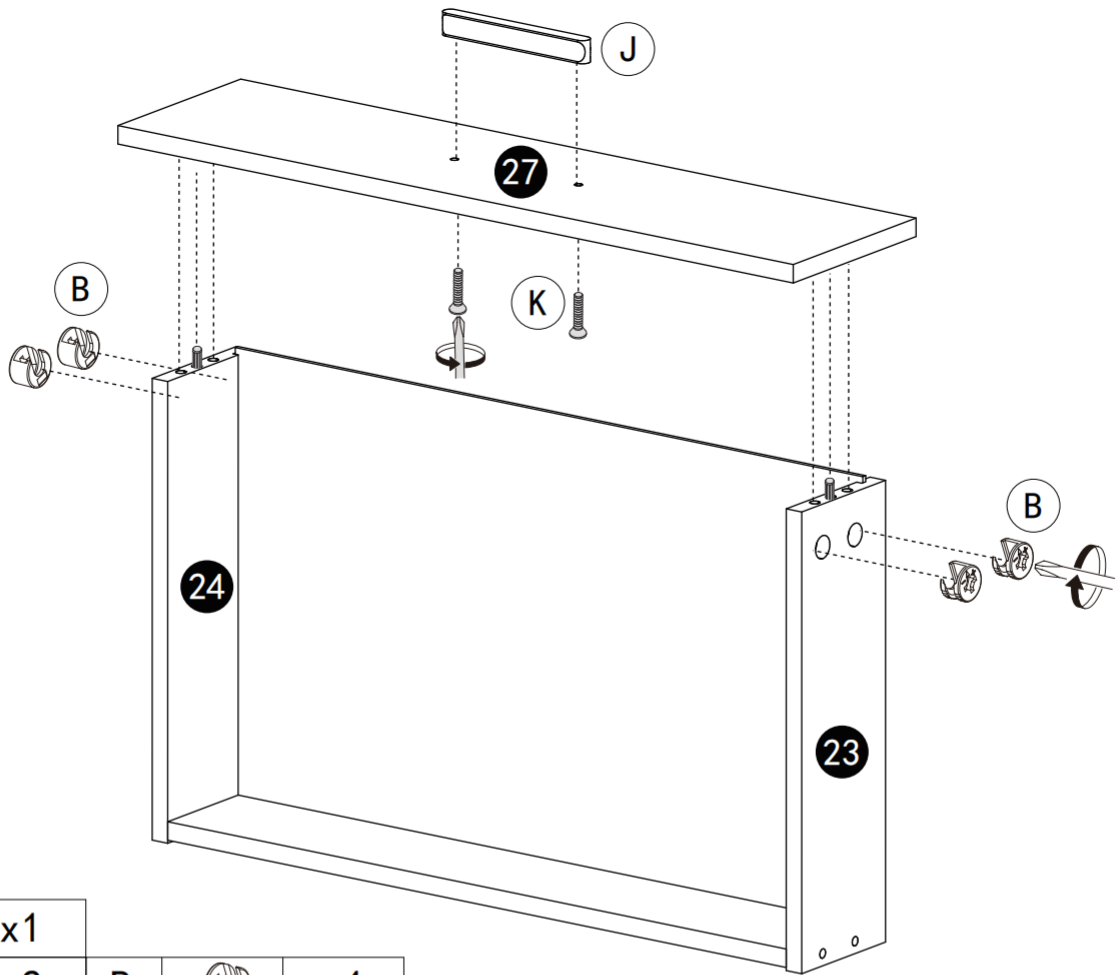


E		x40
DL		x10
DR		x10

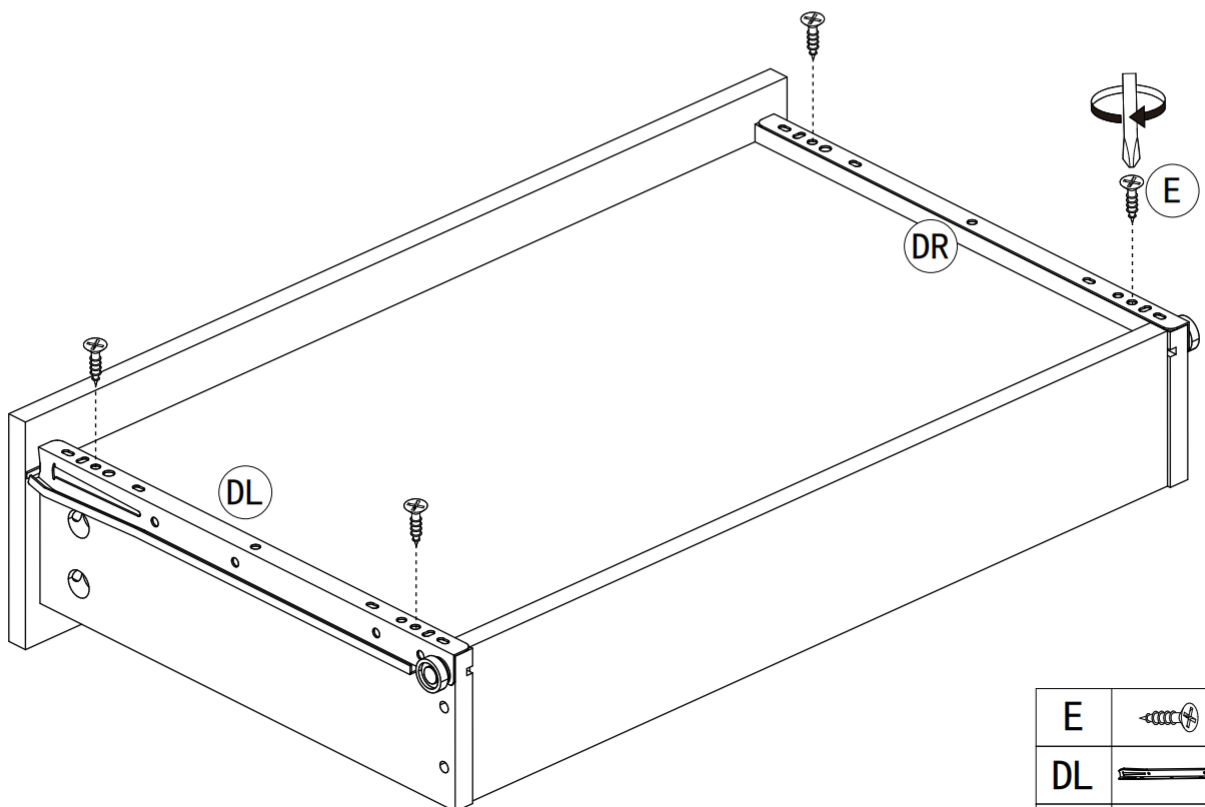
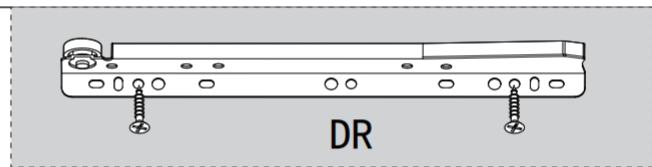
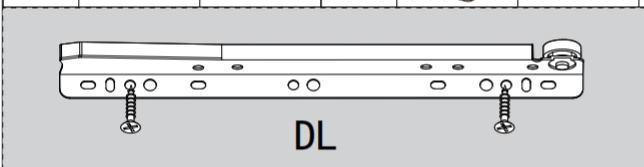
3



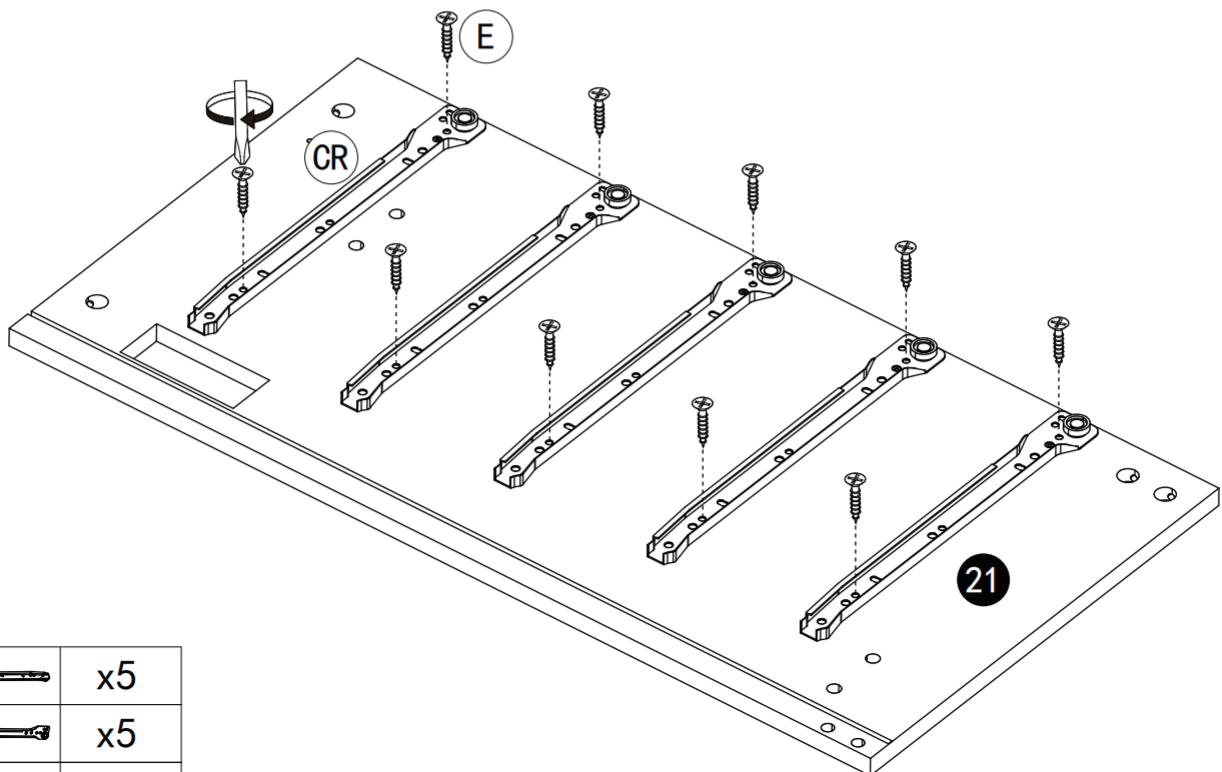
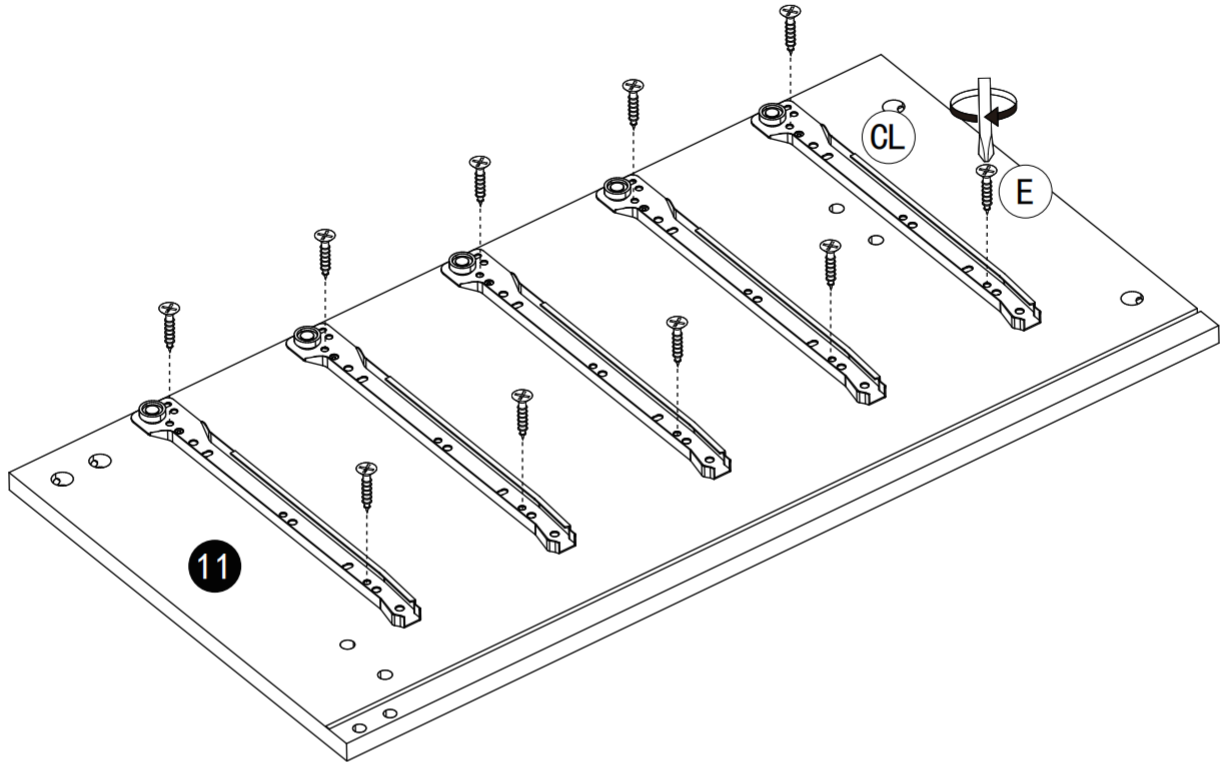
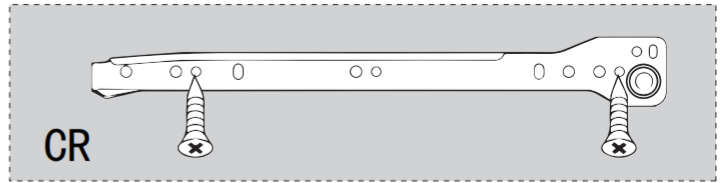
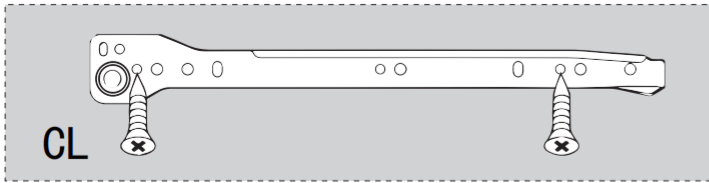
	A		x4
Q			x2
	F		x4






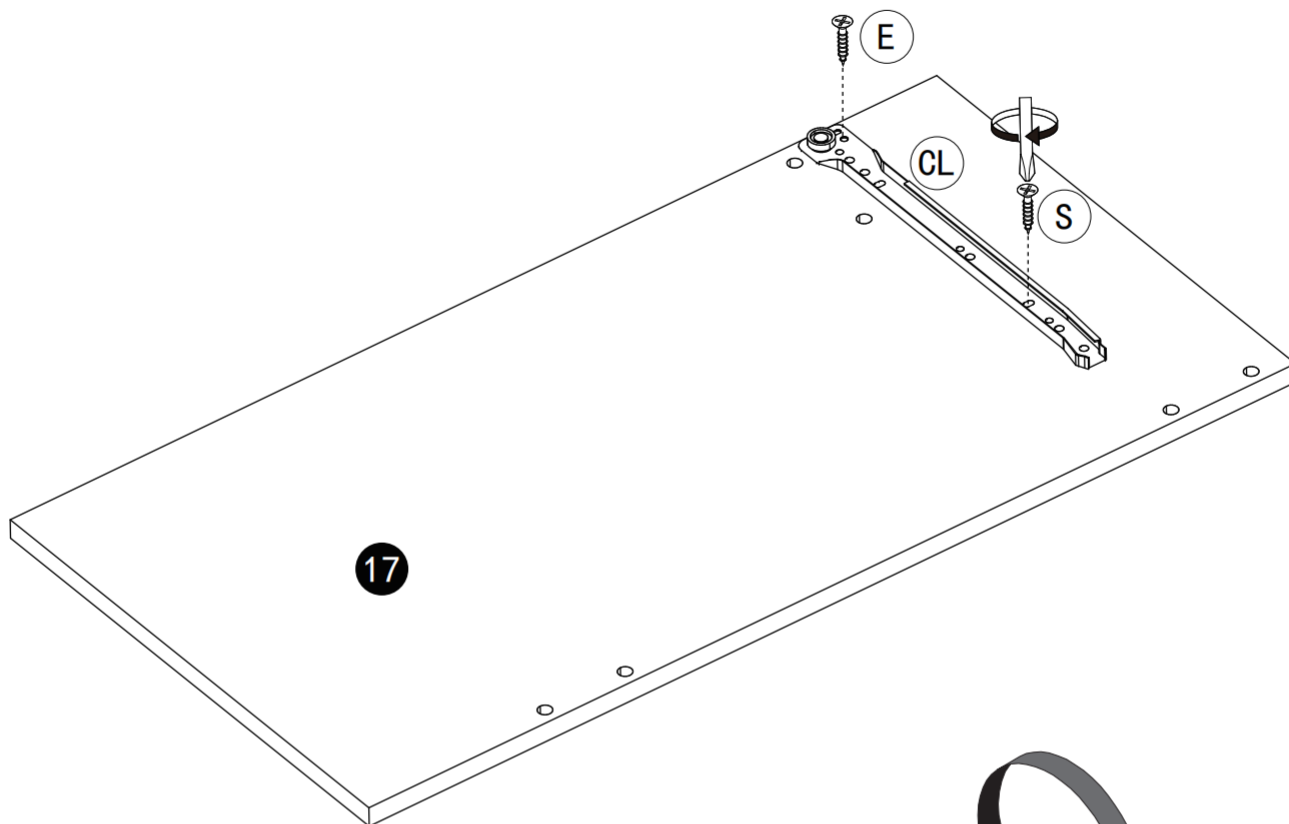
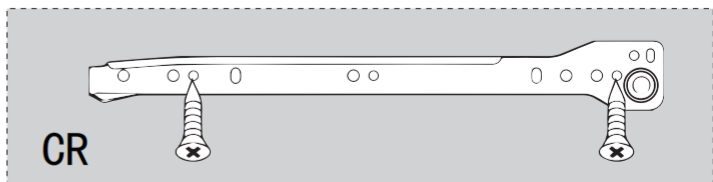
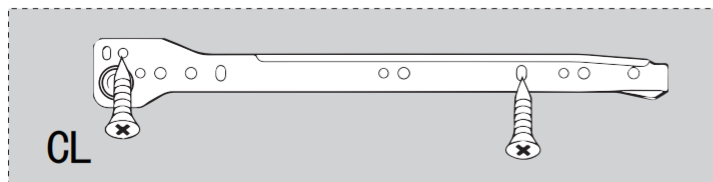
J		x1	B		x4
K		x2			



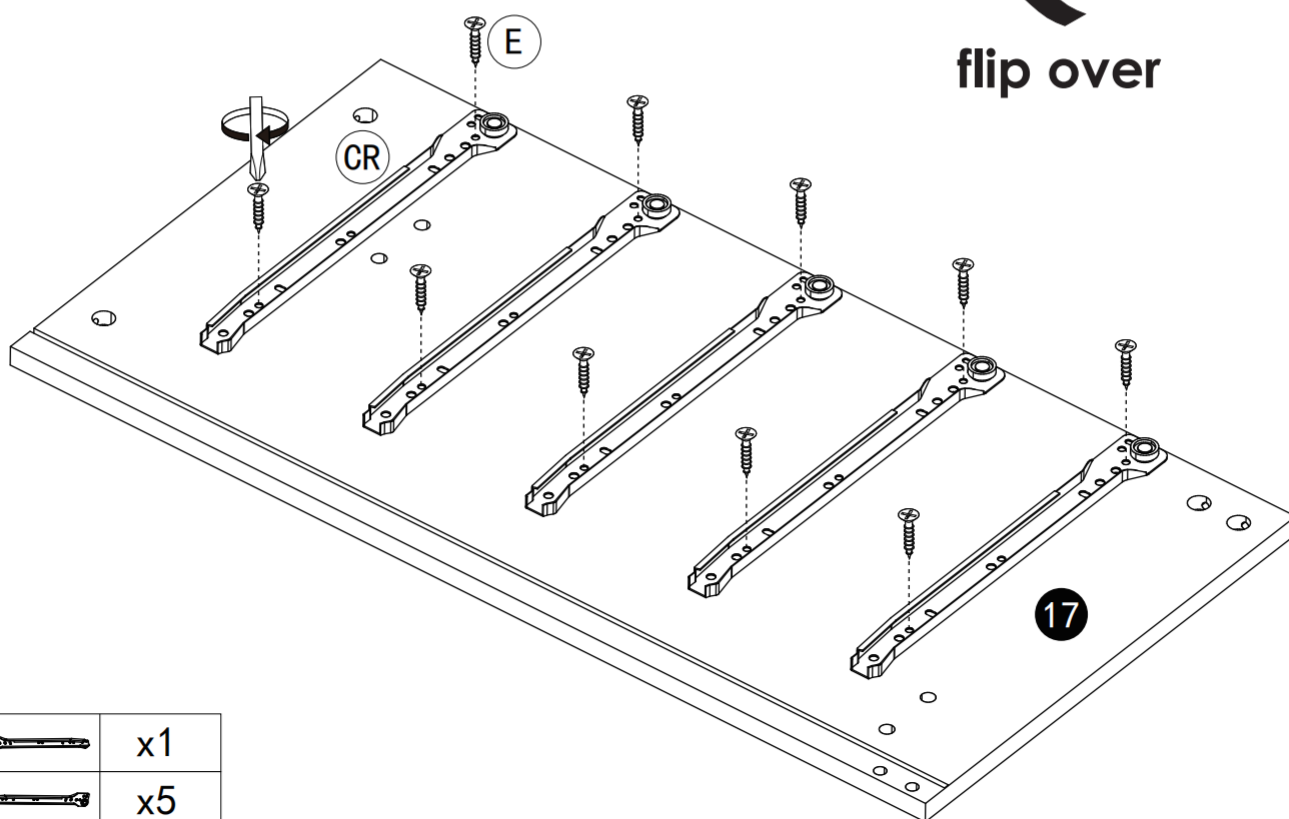
E		x4
DL		x1
DR		x1



CL		x5
CR		x5
E		x20

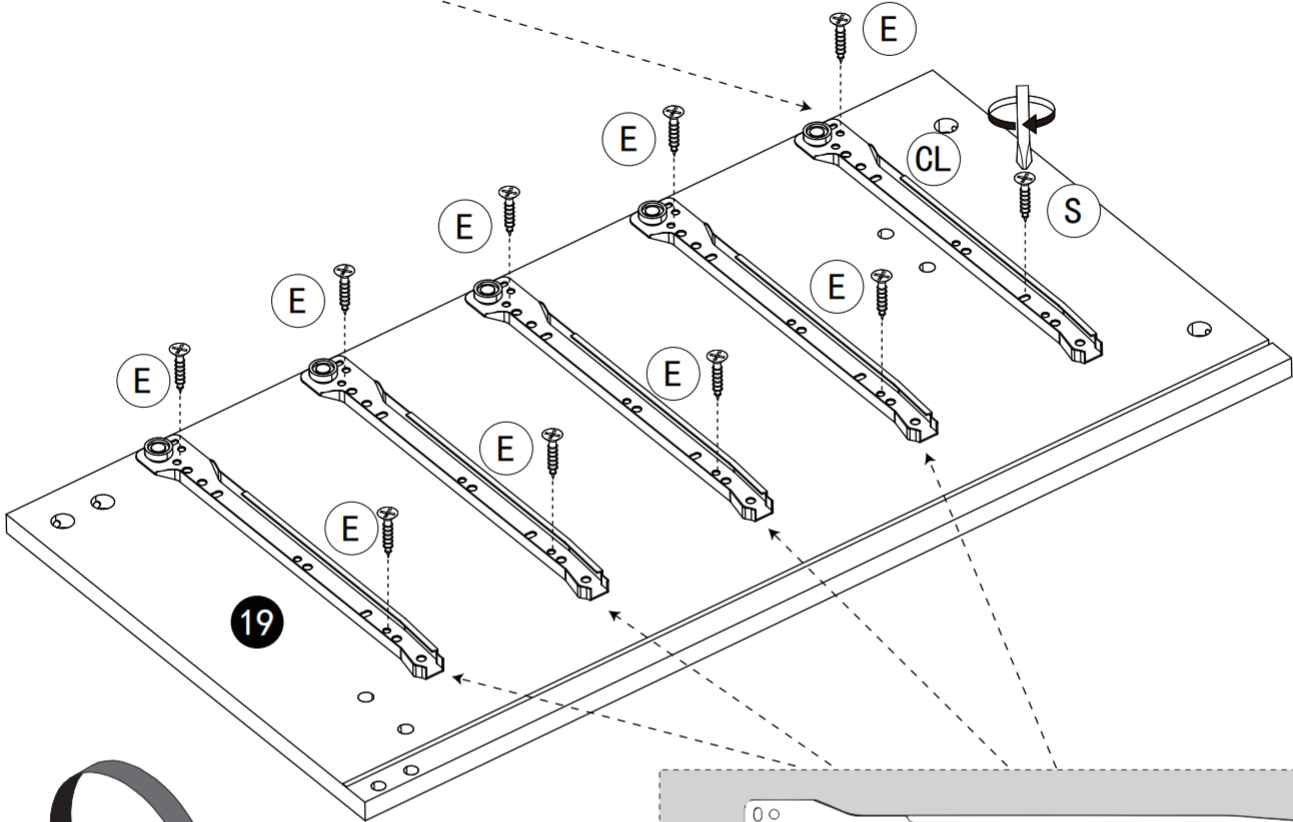
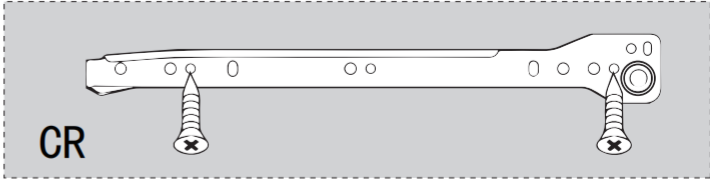
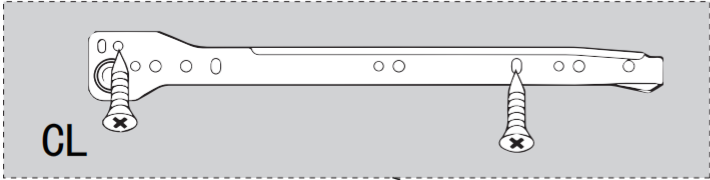


flip over

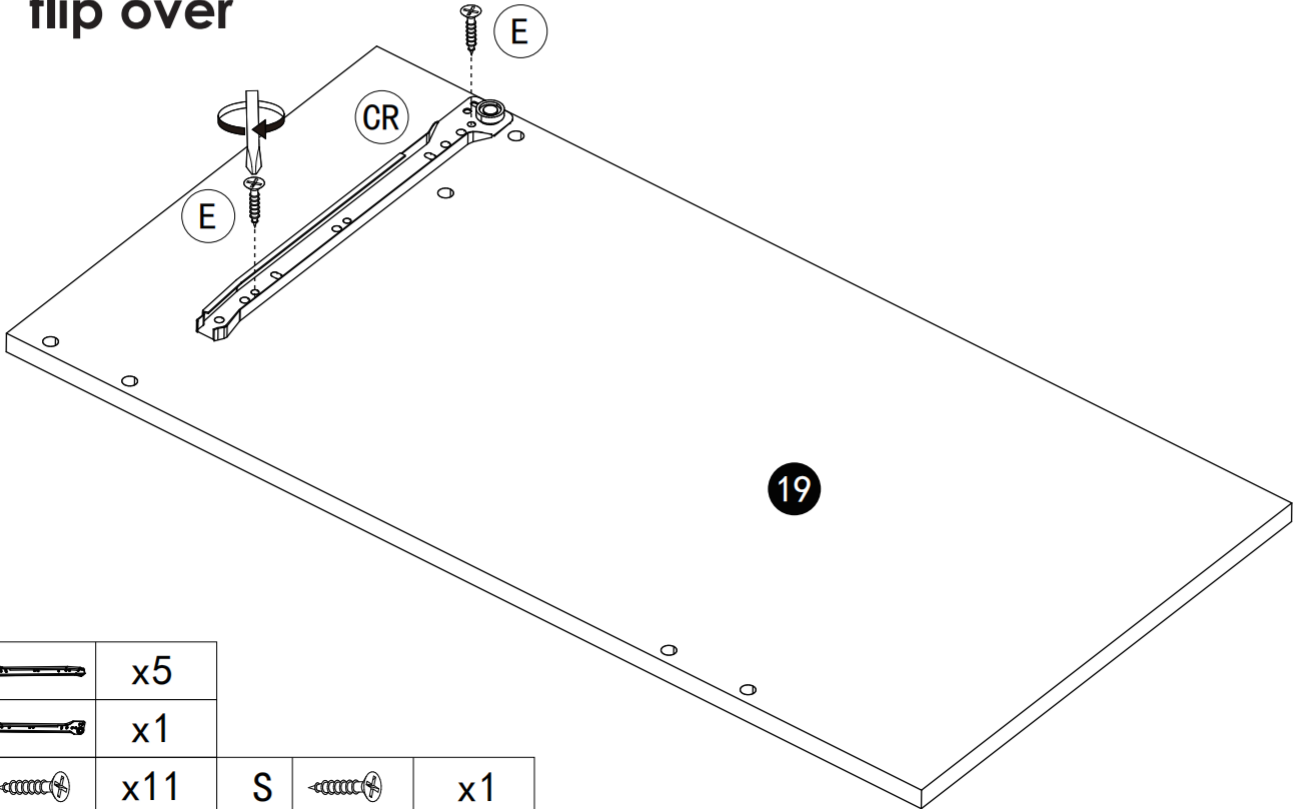
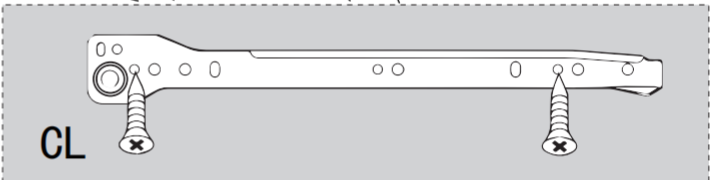


CL		x1
CR		x5

E		x11	S		x1
---	--	-----	---	--	----

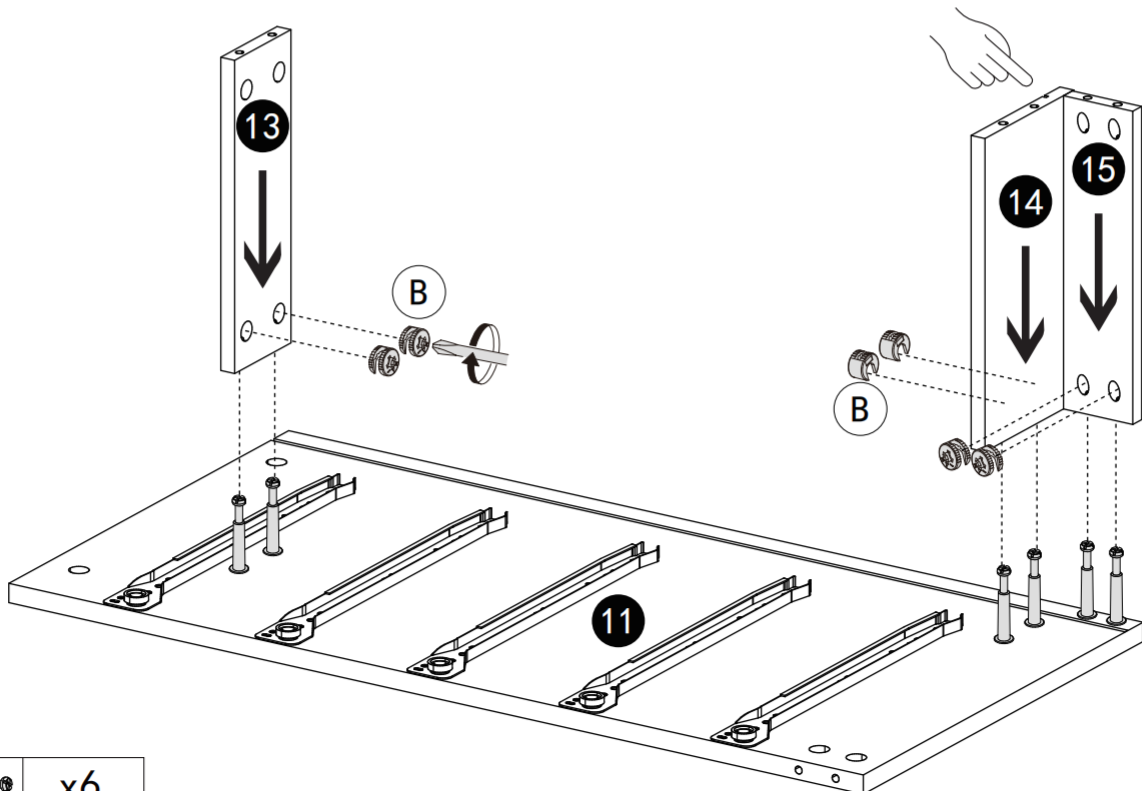
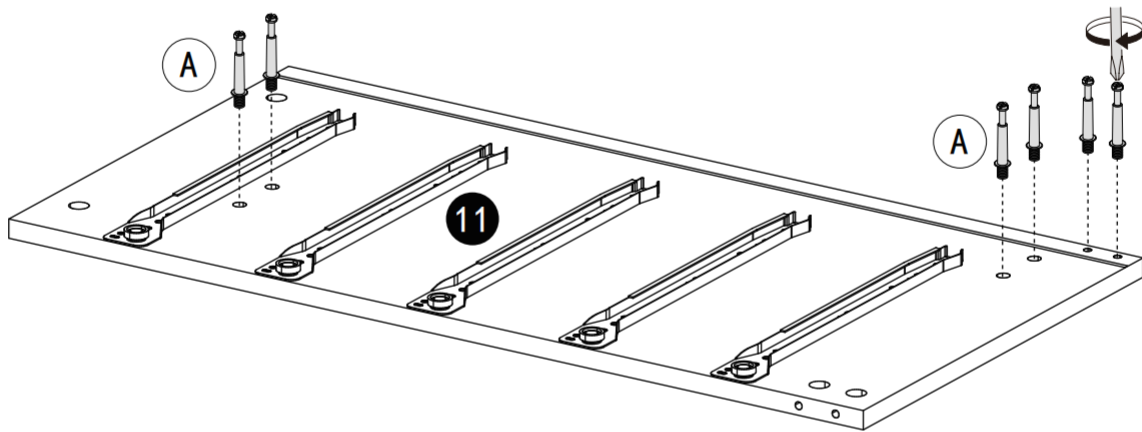
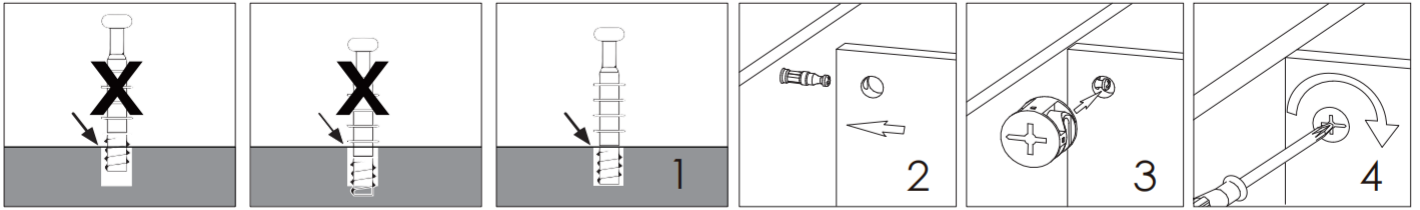
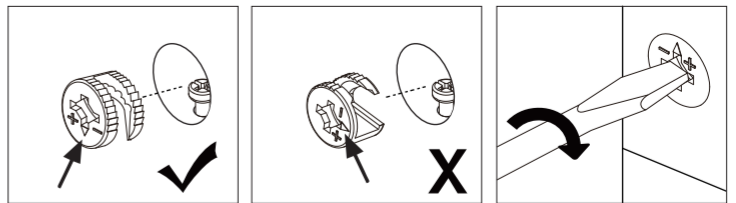




flip over

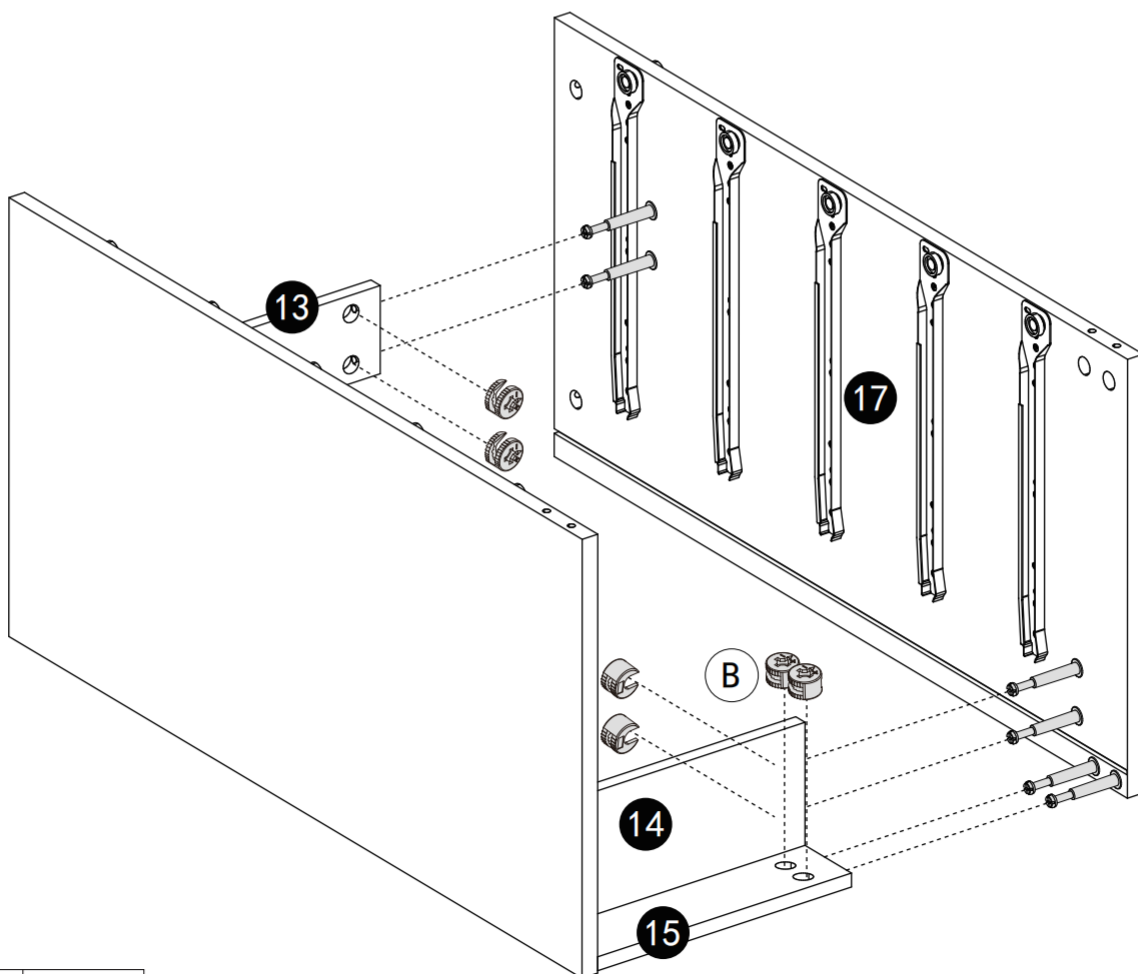
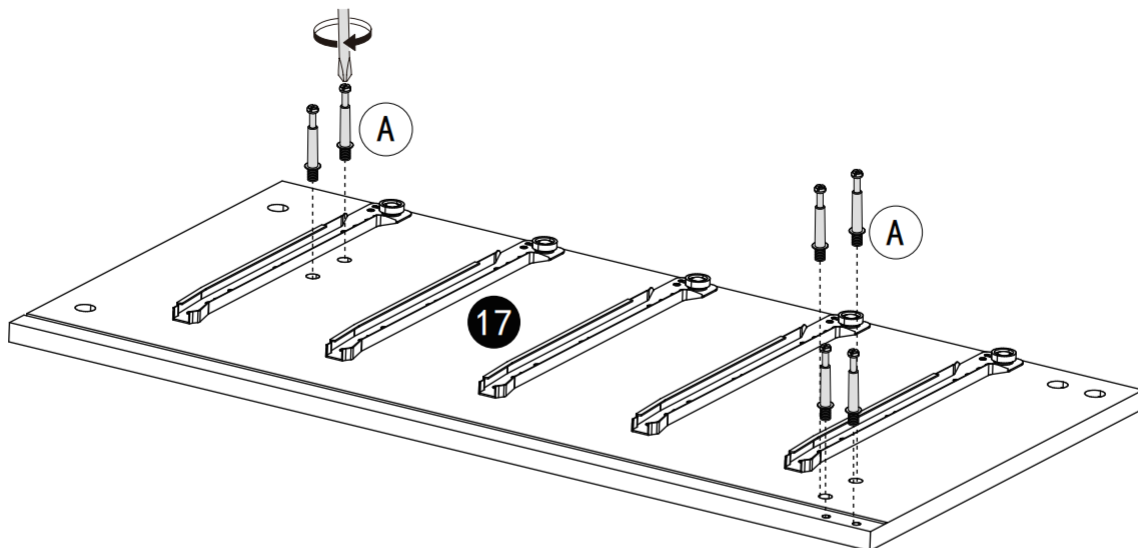




CL		x5		
CR		x1		
E		x11	S	x1

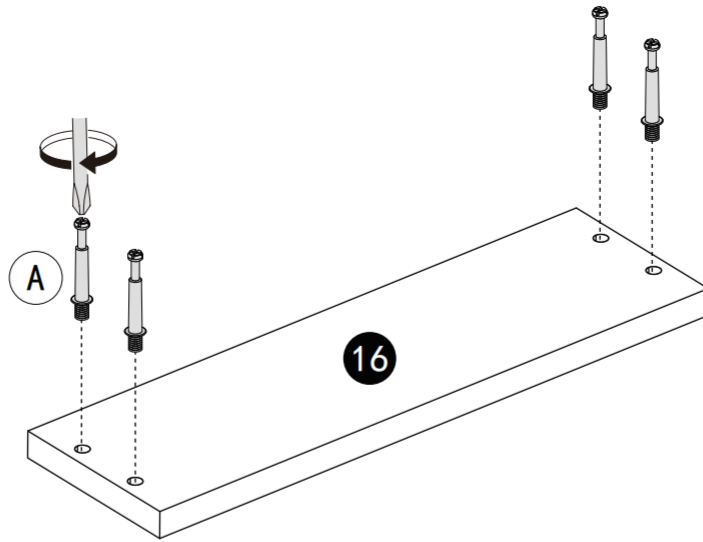
Installation method of three in one rod and buckle



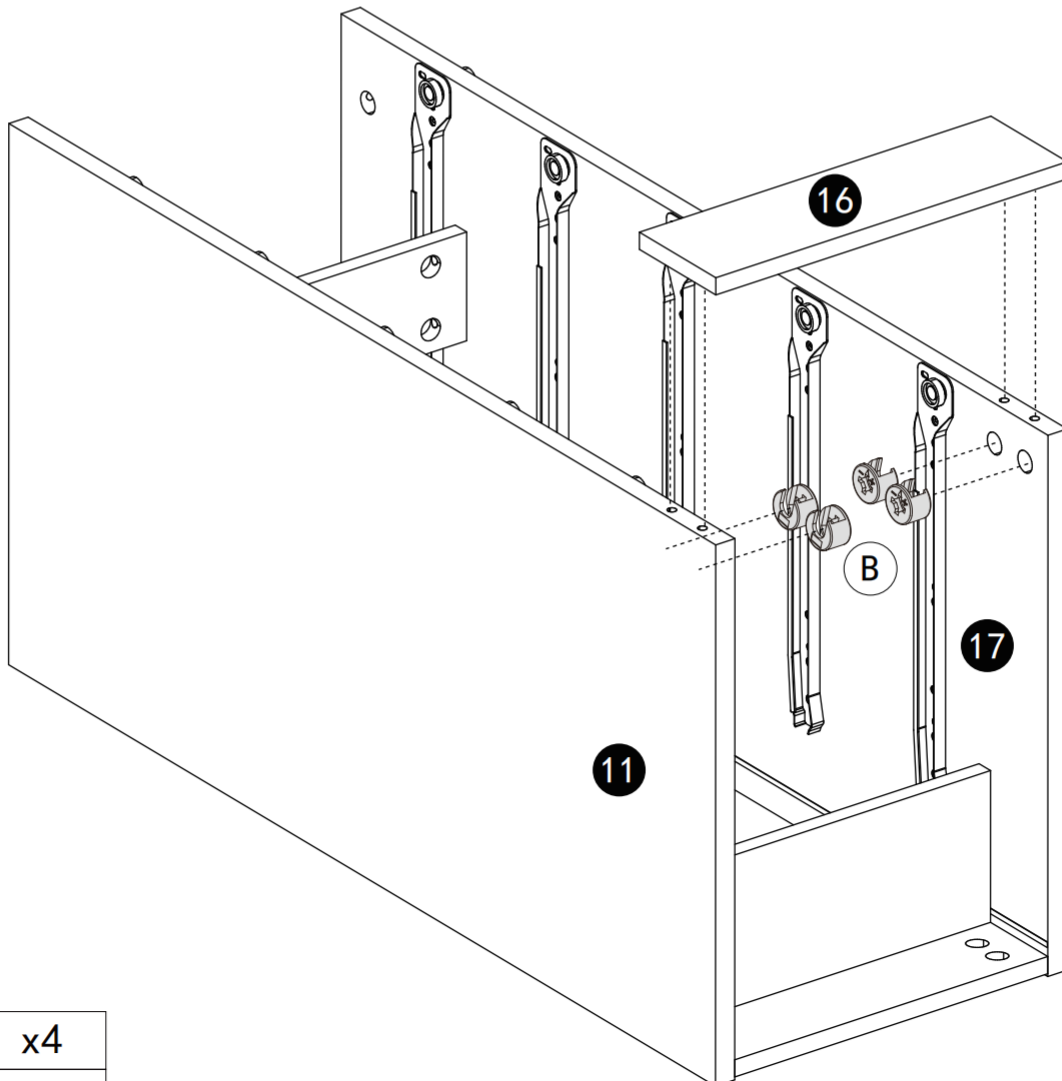
A		x6
B		x6





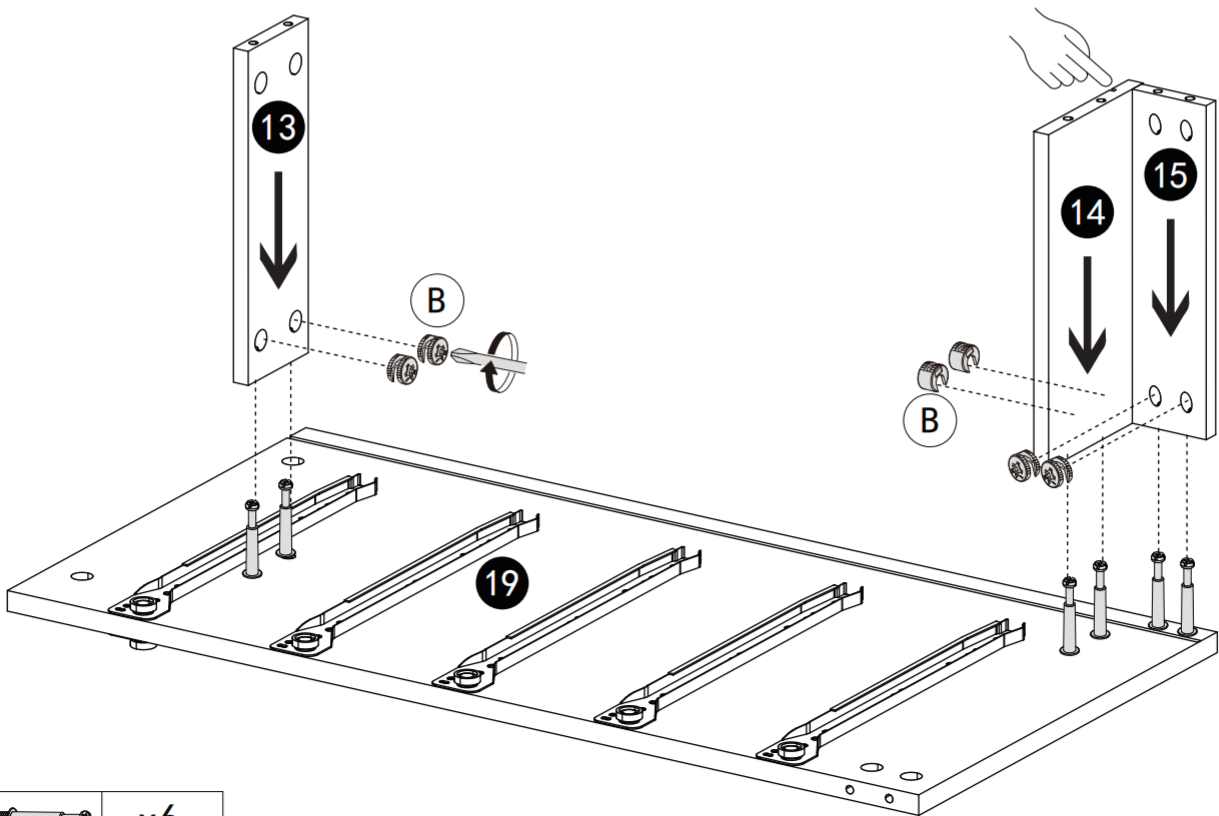
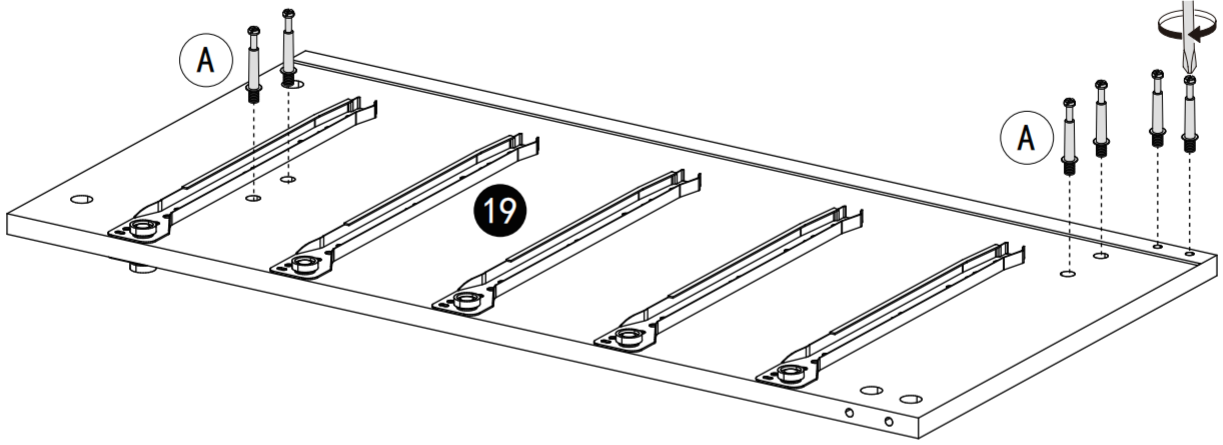
A		x6
B		x6





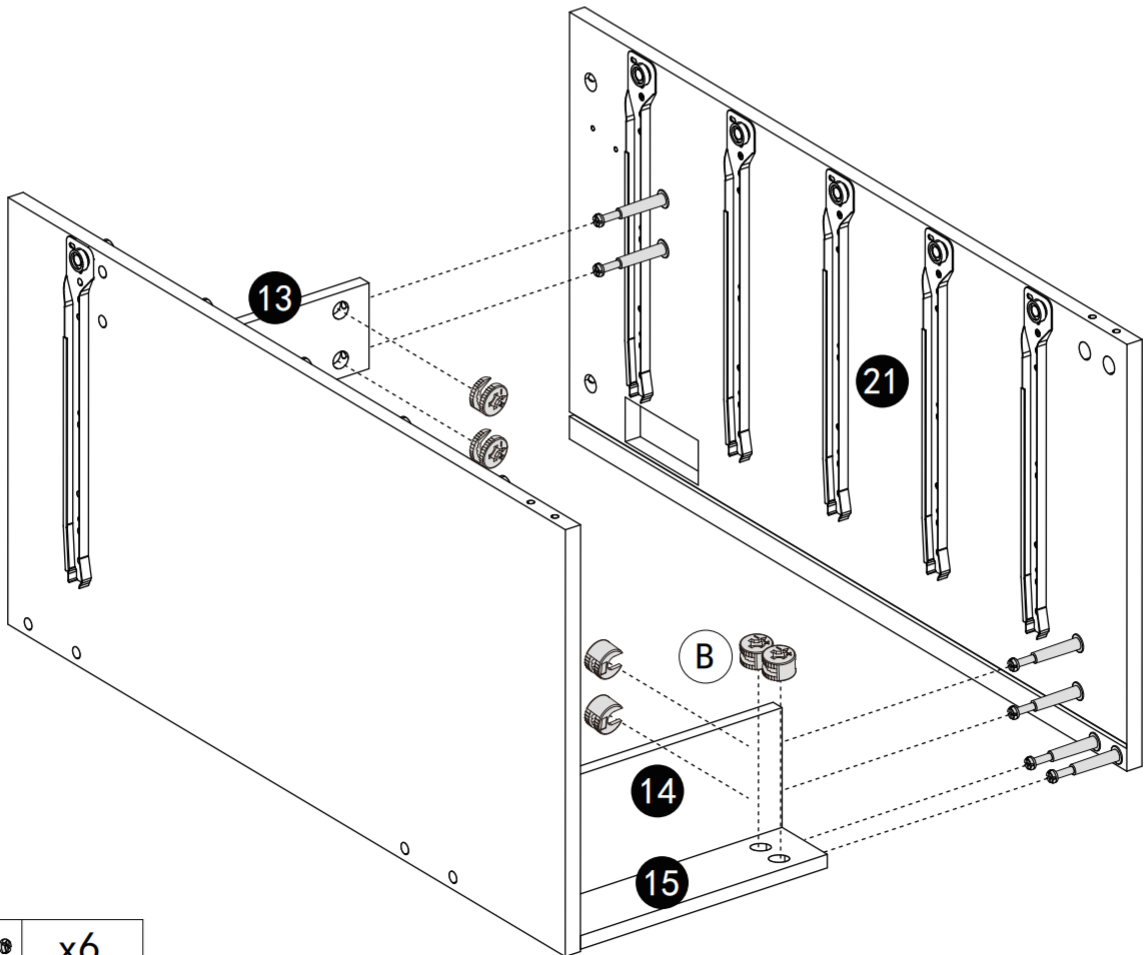
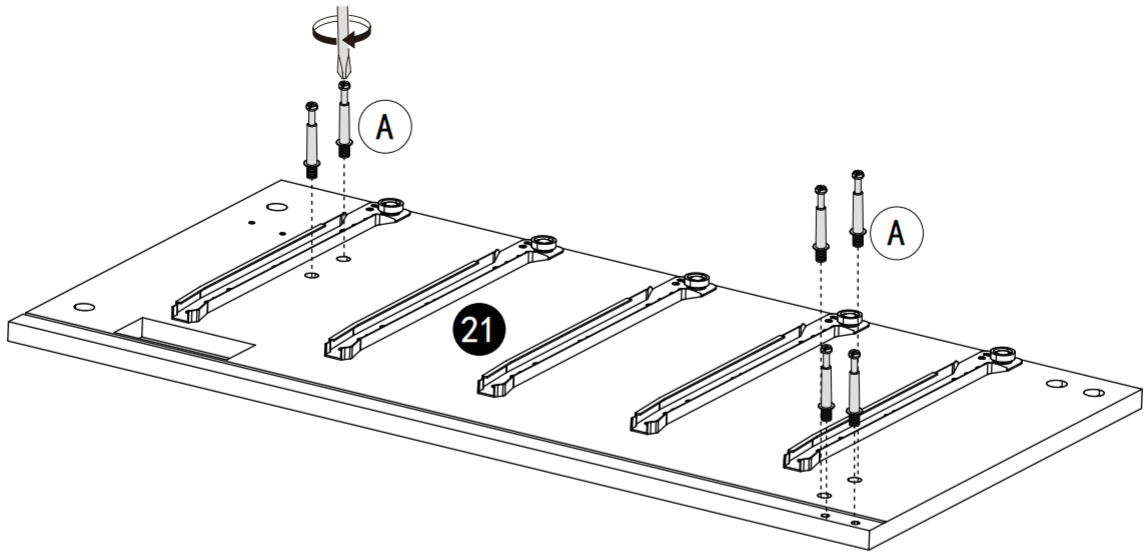
flip over





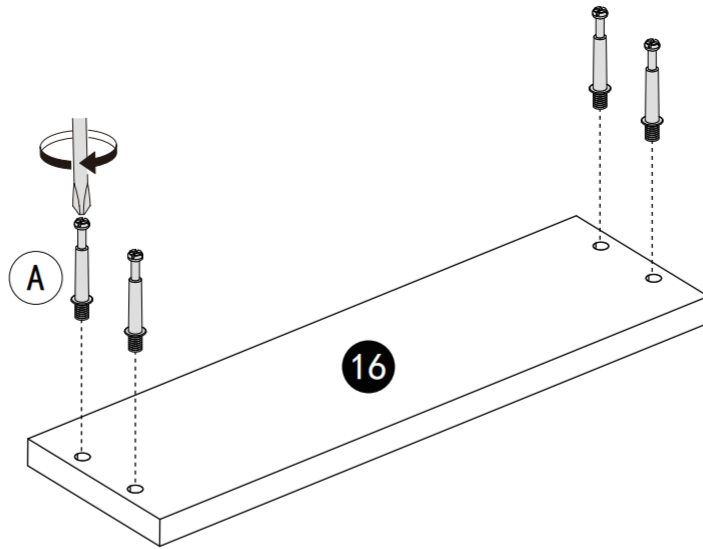
A		x4
B		x4



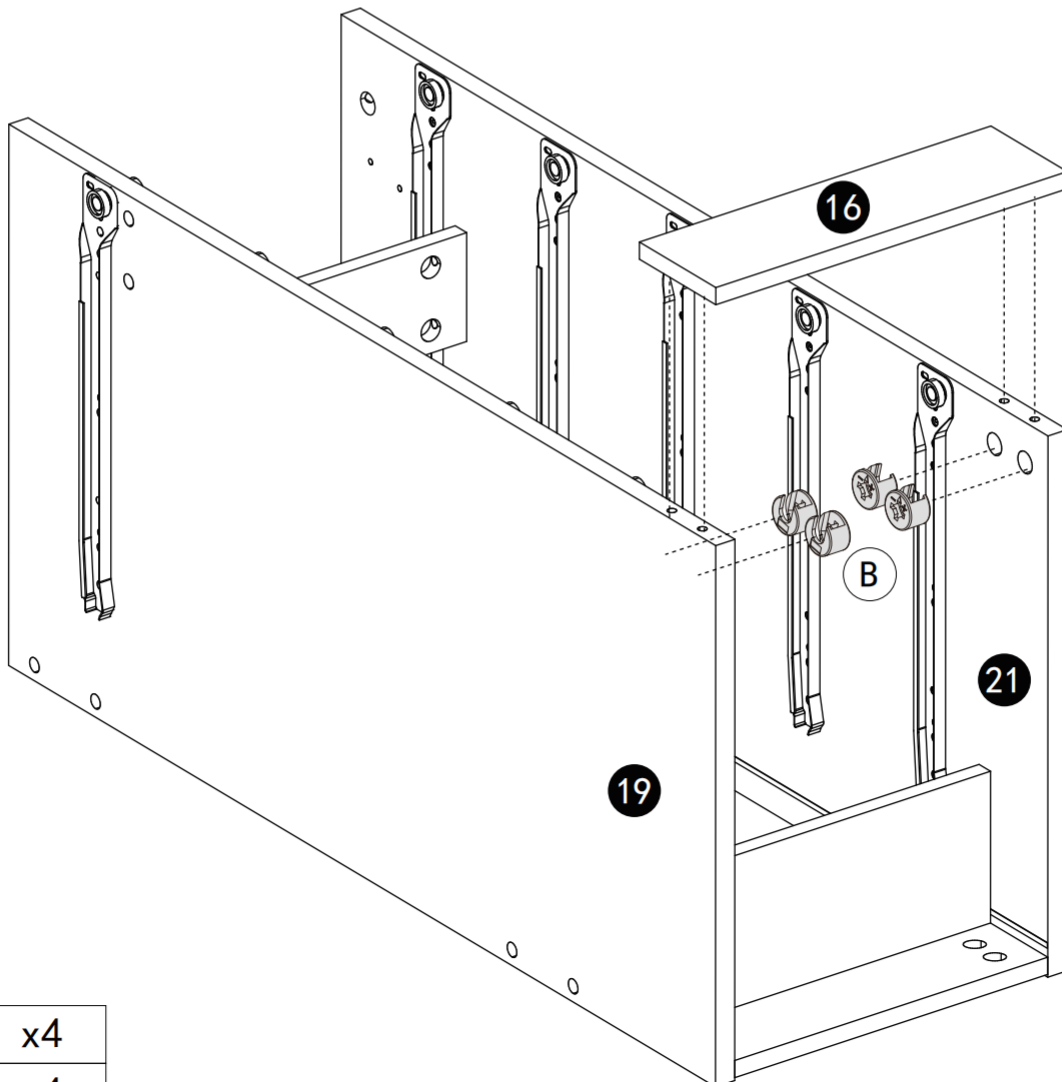
A		x6
B		x6





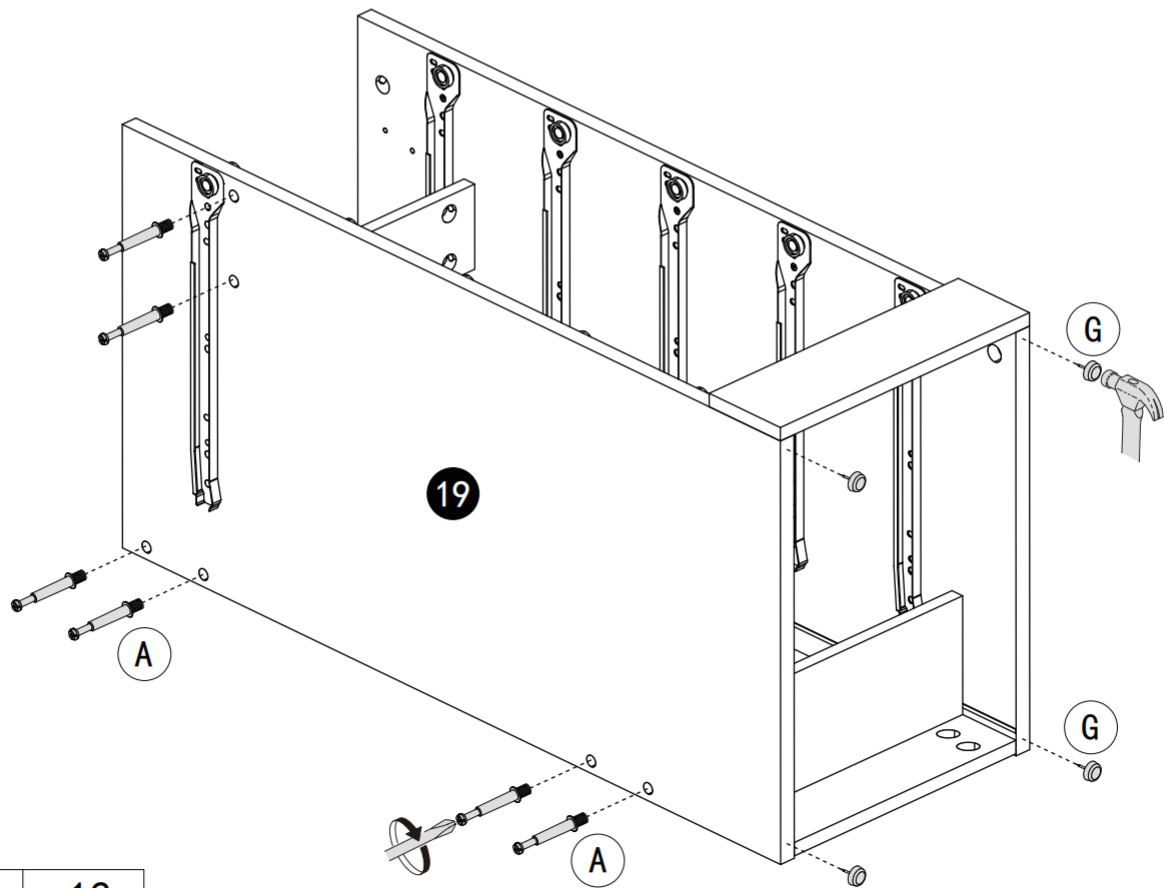
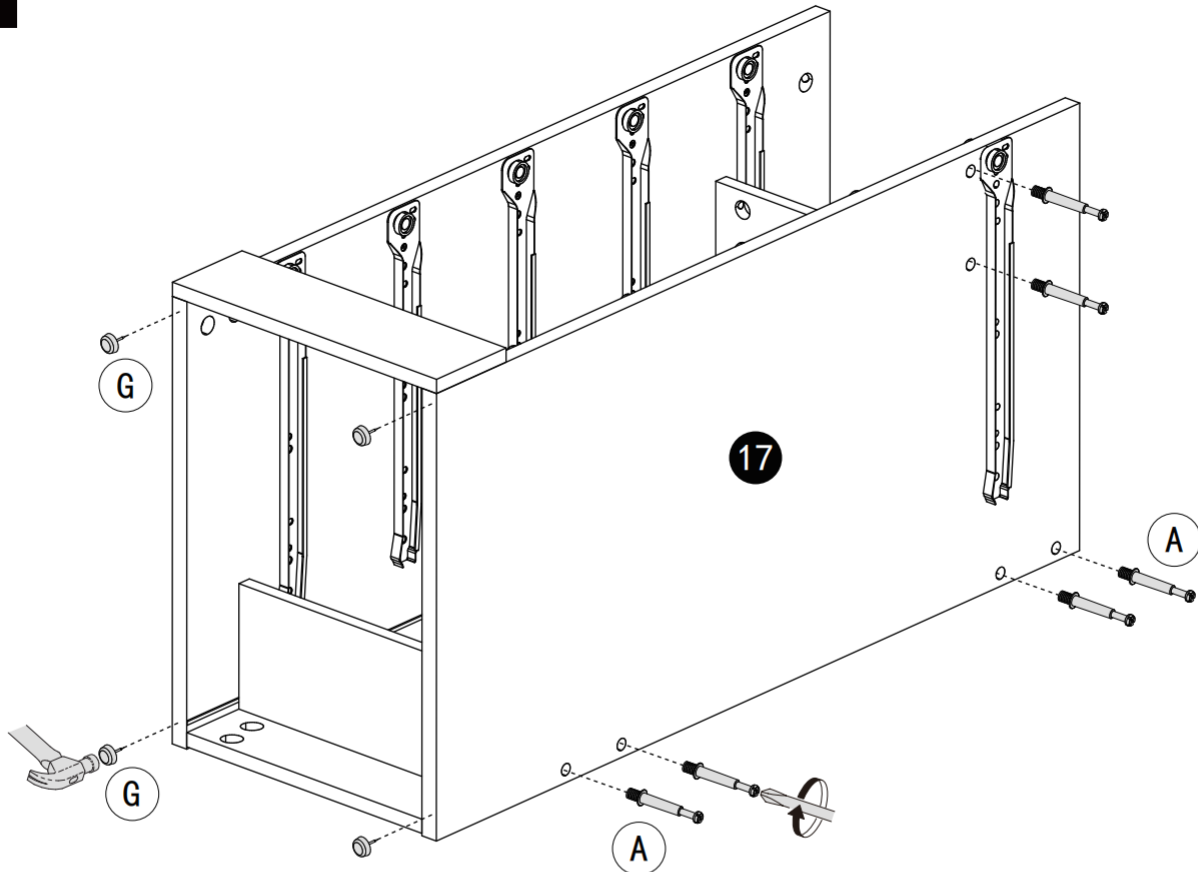
A		x6
B		x6





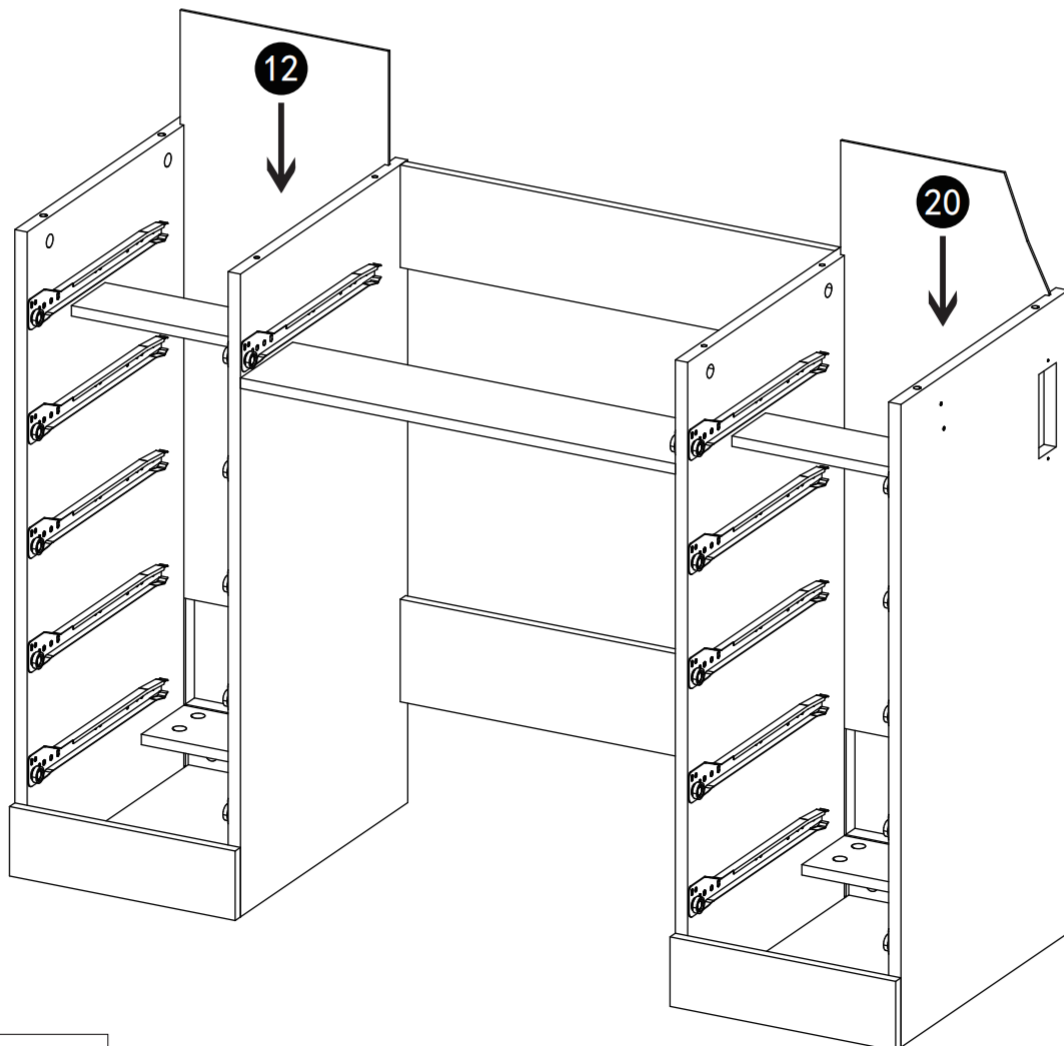
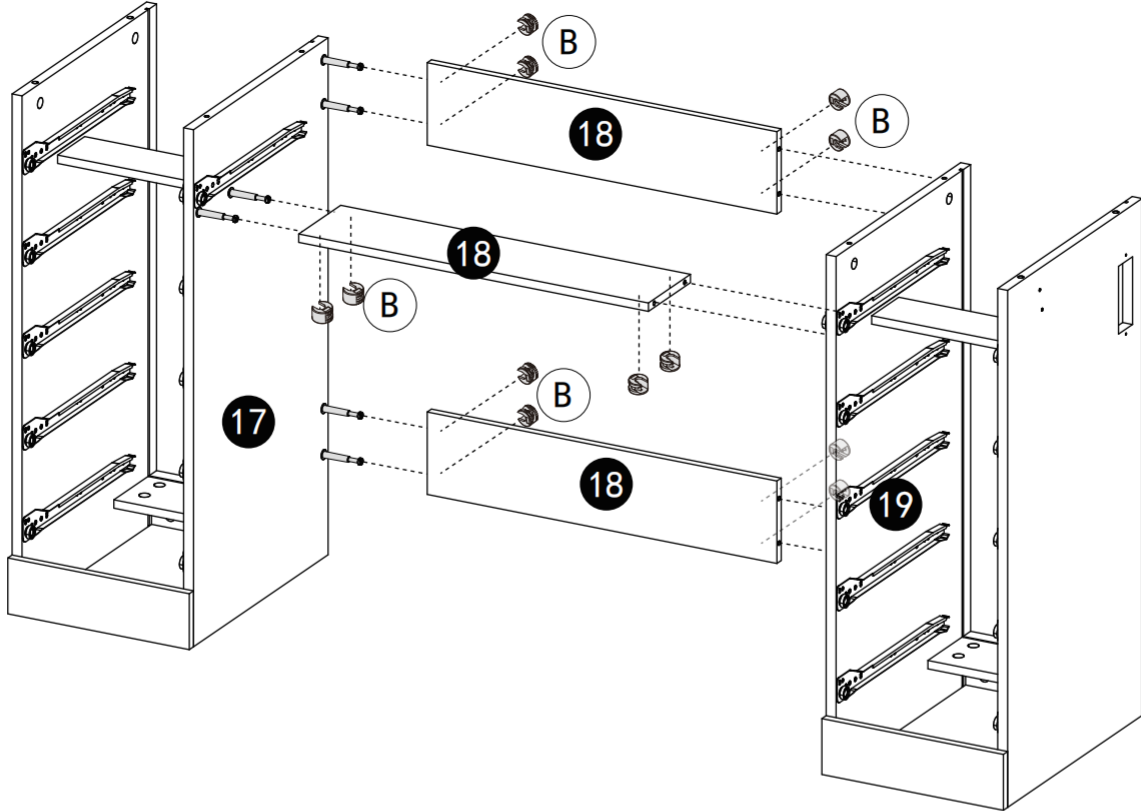
flip over



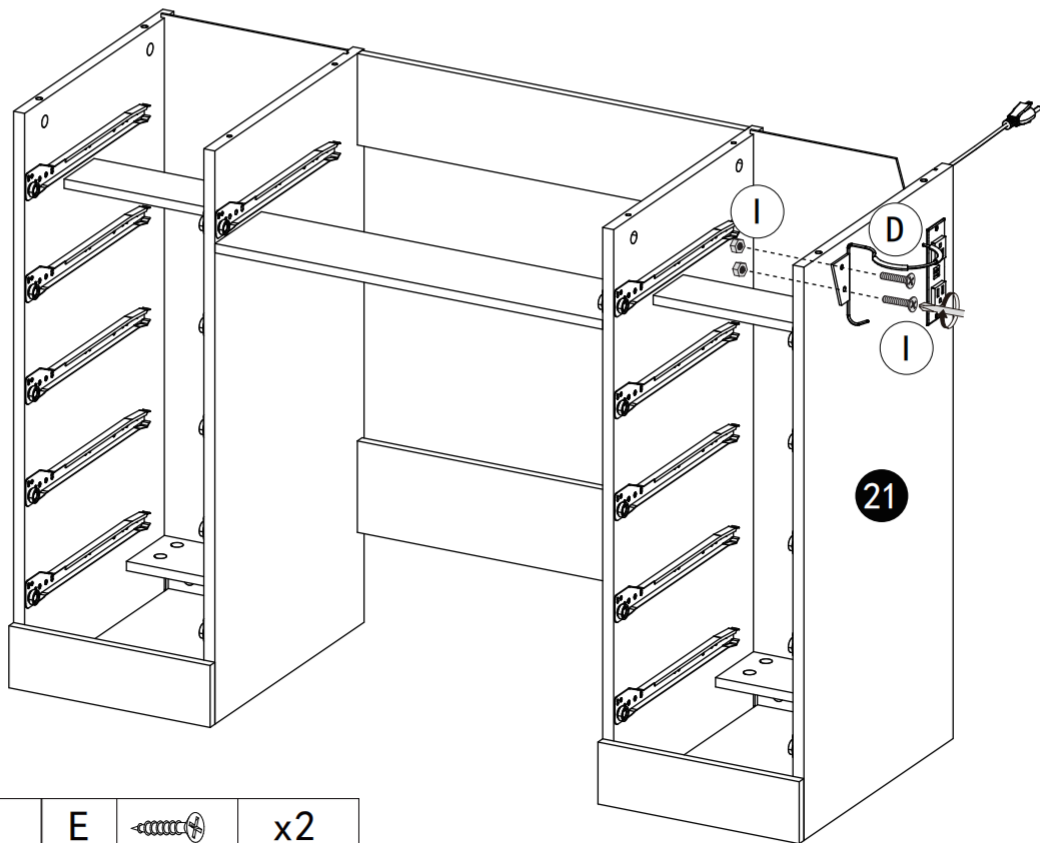
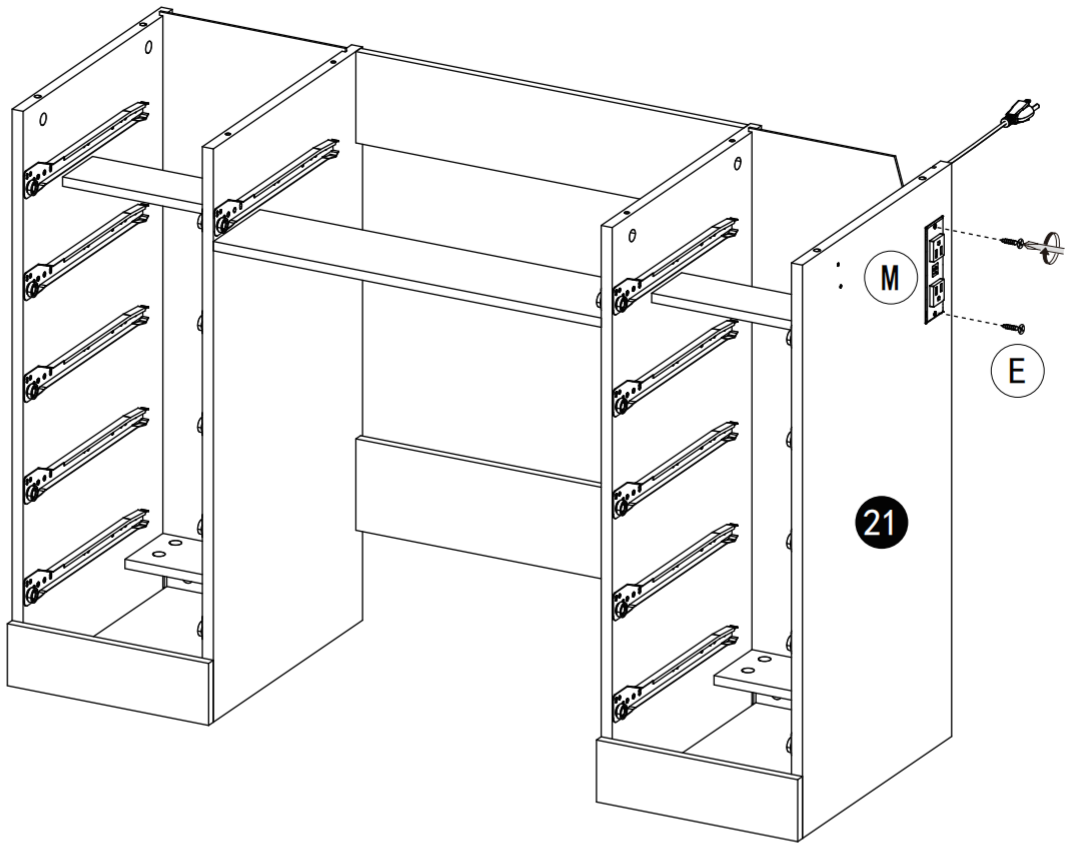
A		x4
B		x4


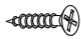




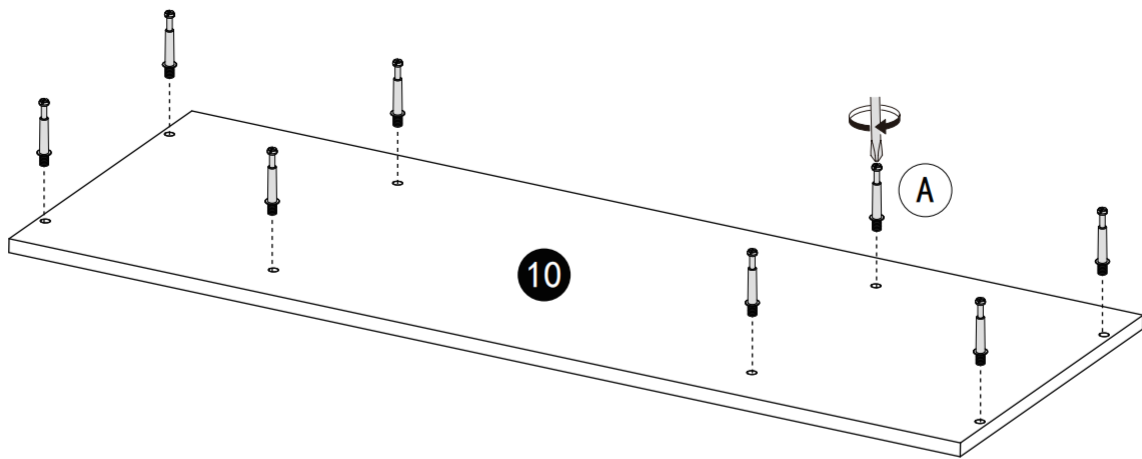
A		x12
G		x8



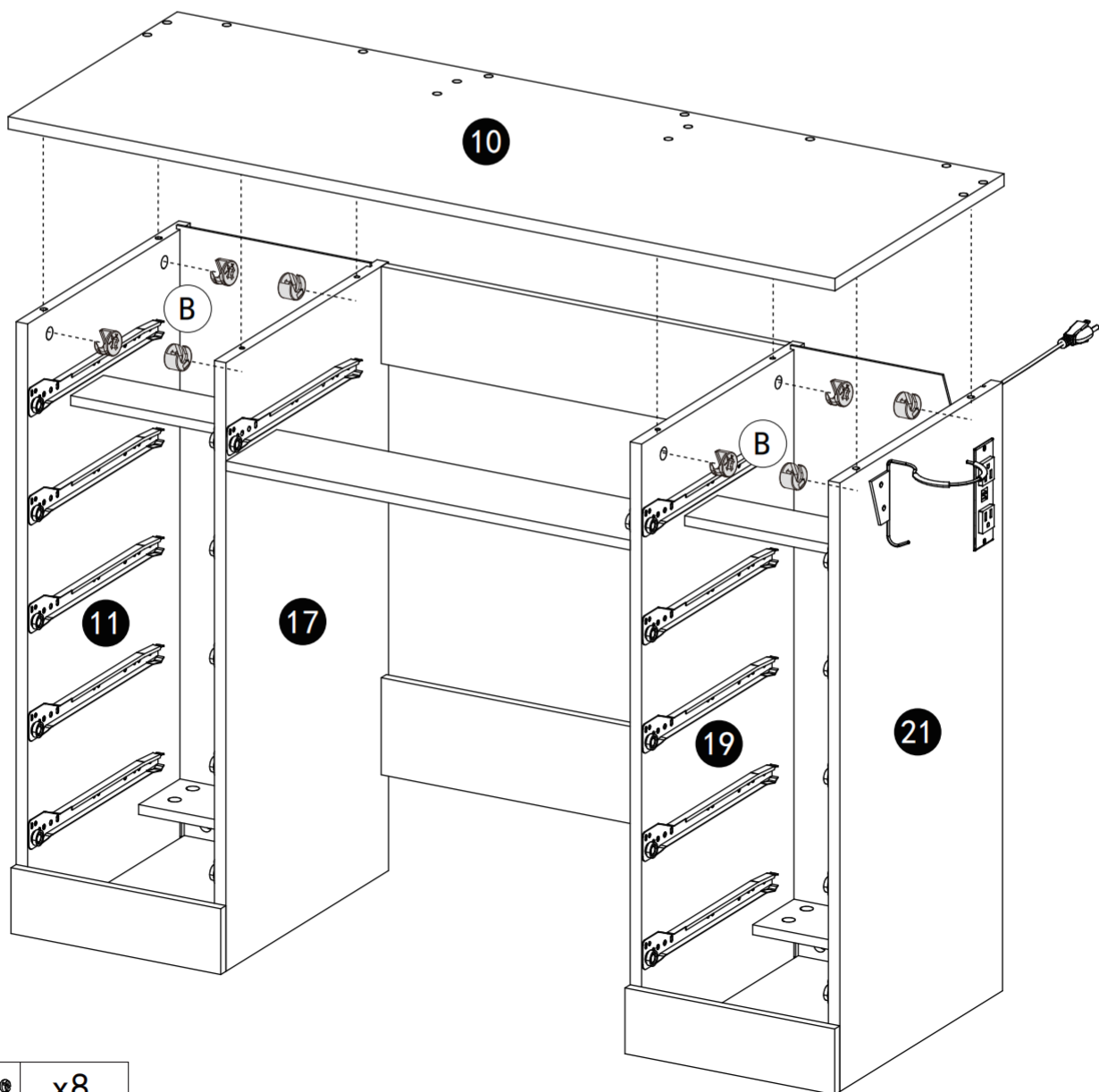
B  x12





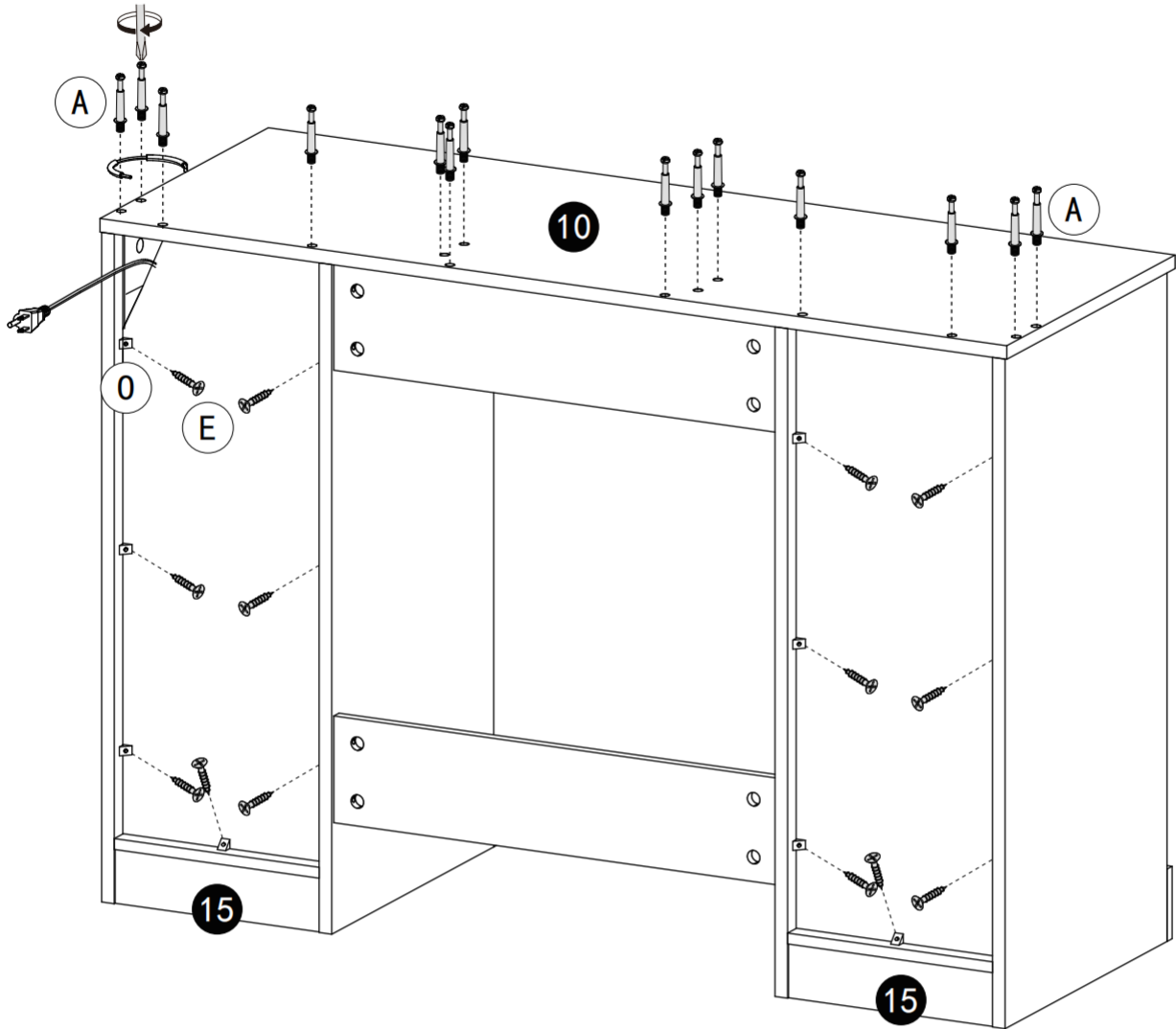
D		x1	E		x2
I		x2	M		x1






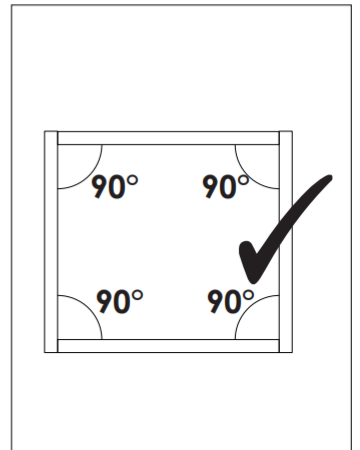
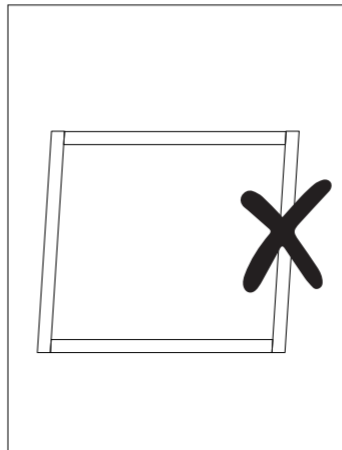
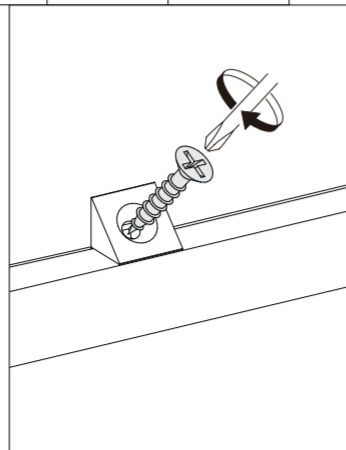
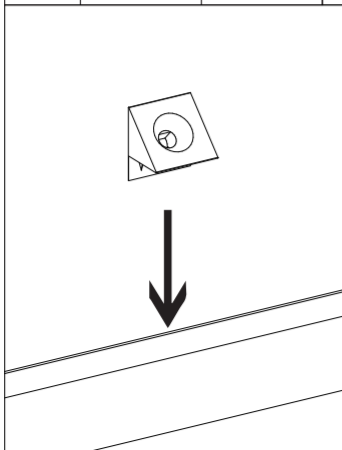
flip over

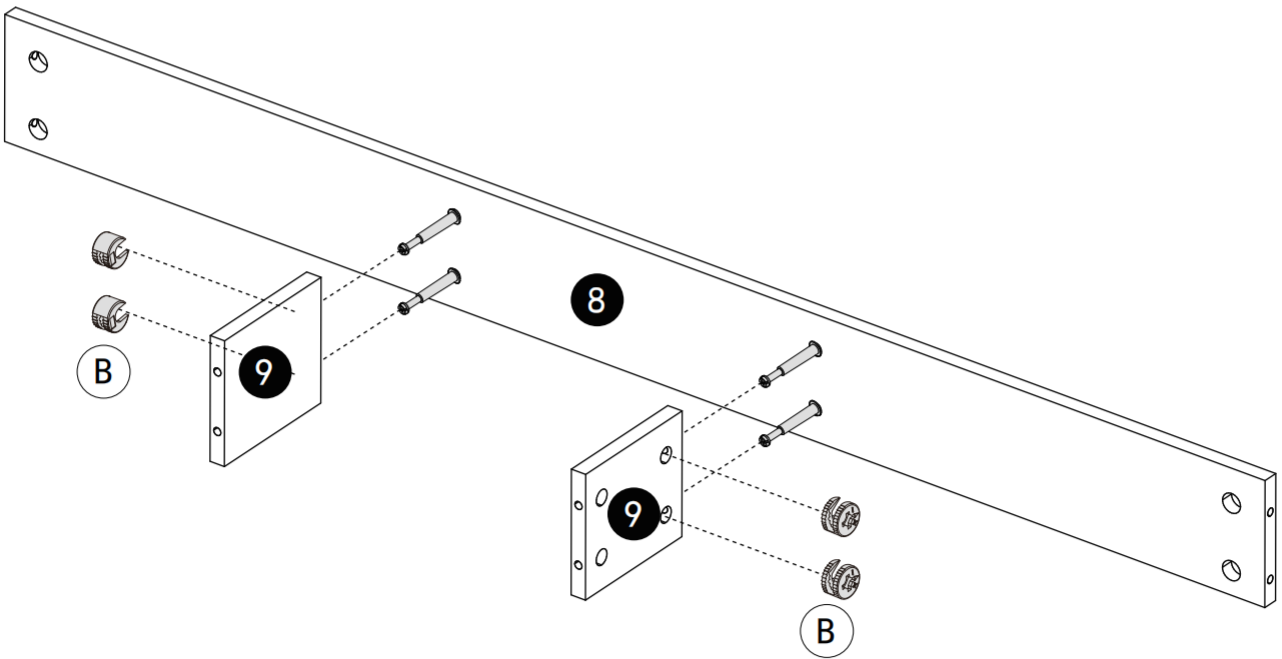
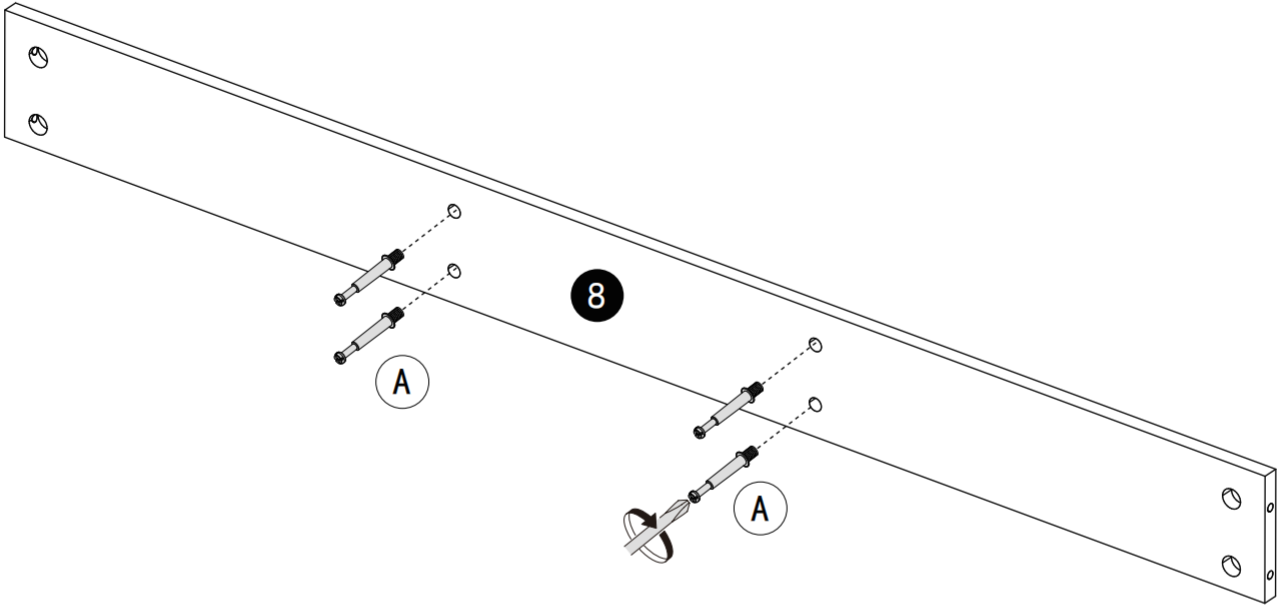




A		x8
B		x8

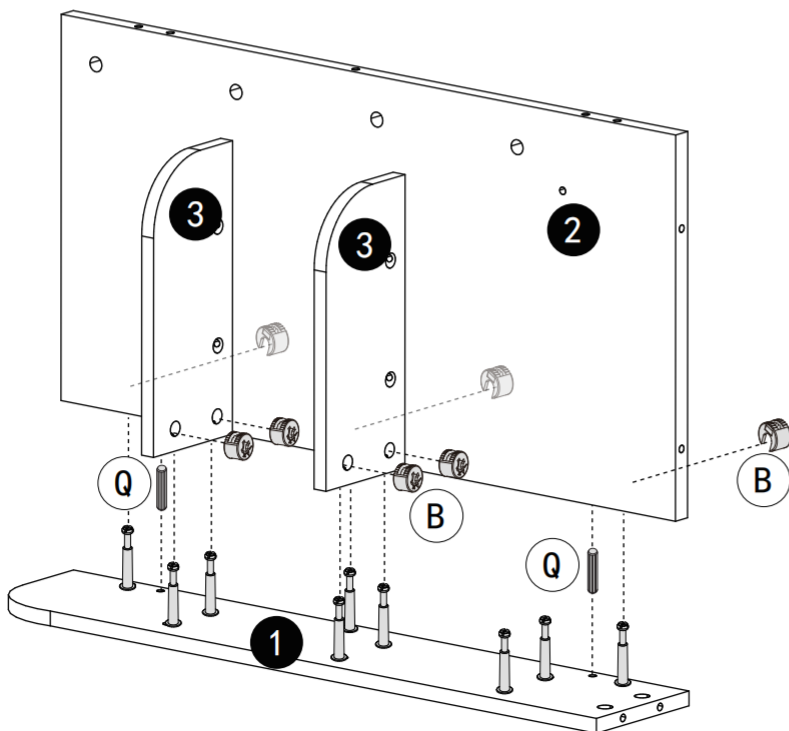
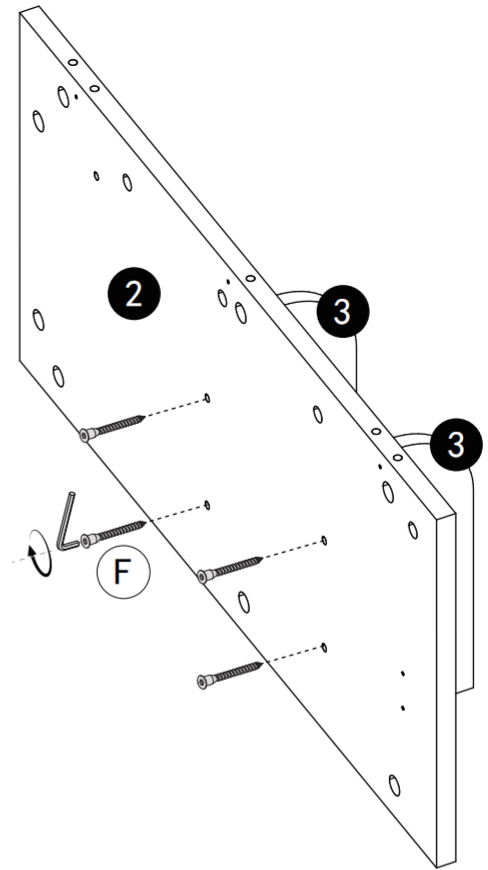
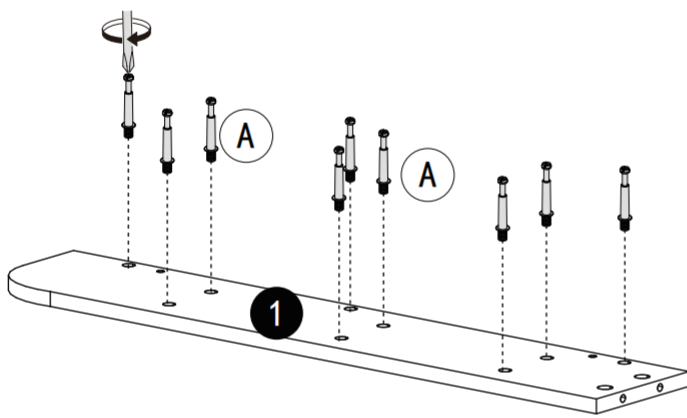






O		x14	A		x14
E		x14			

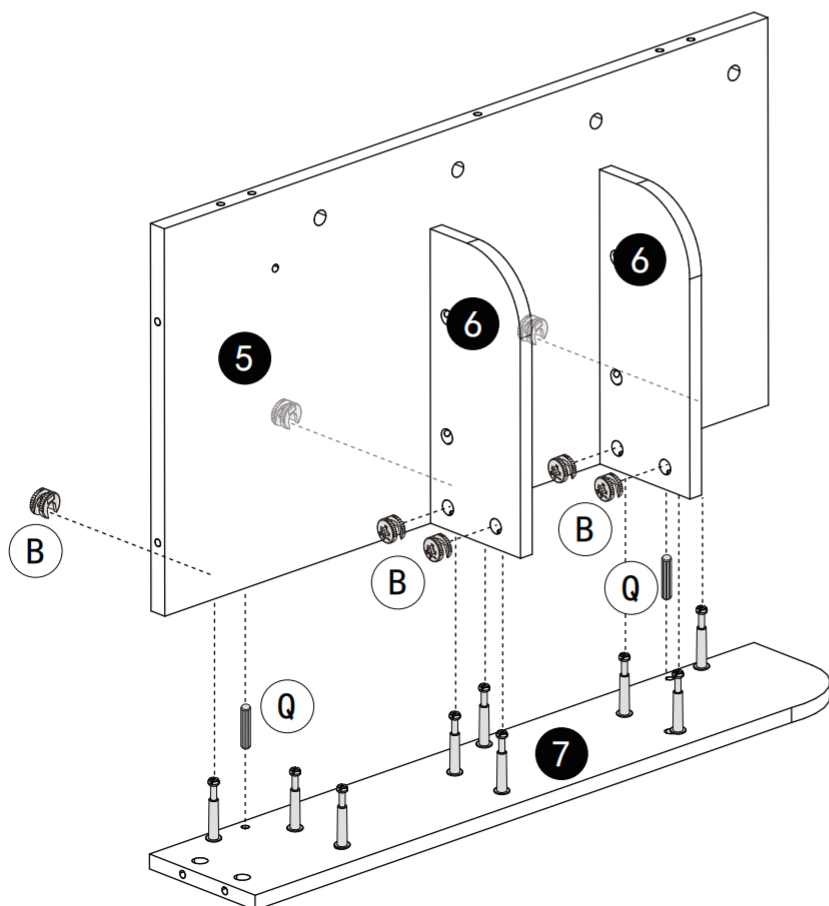
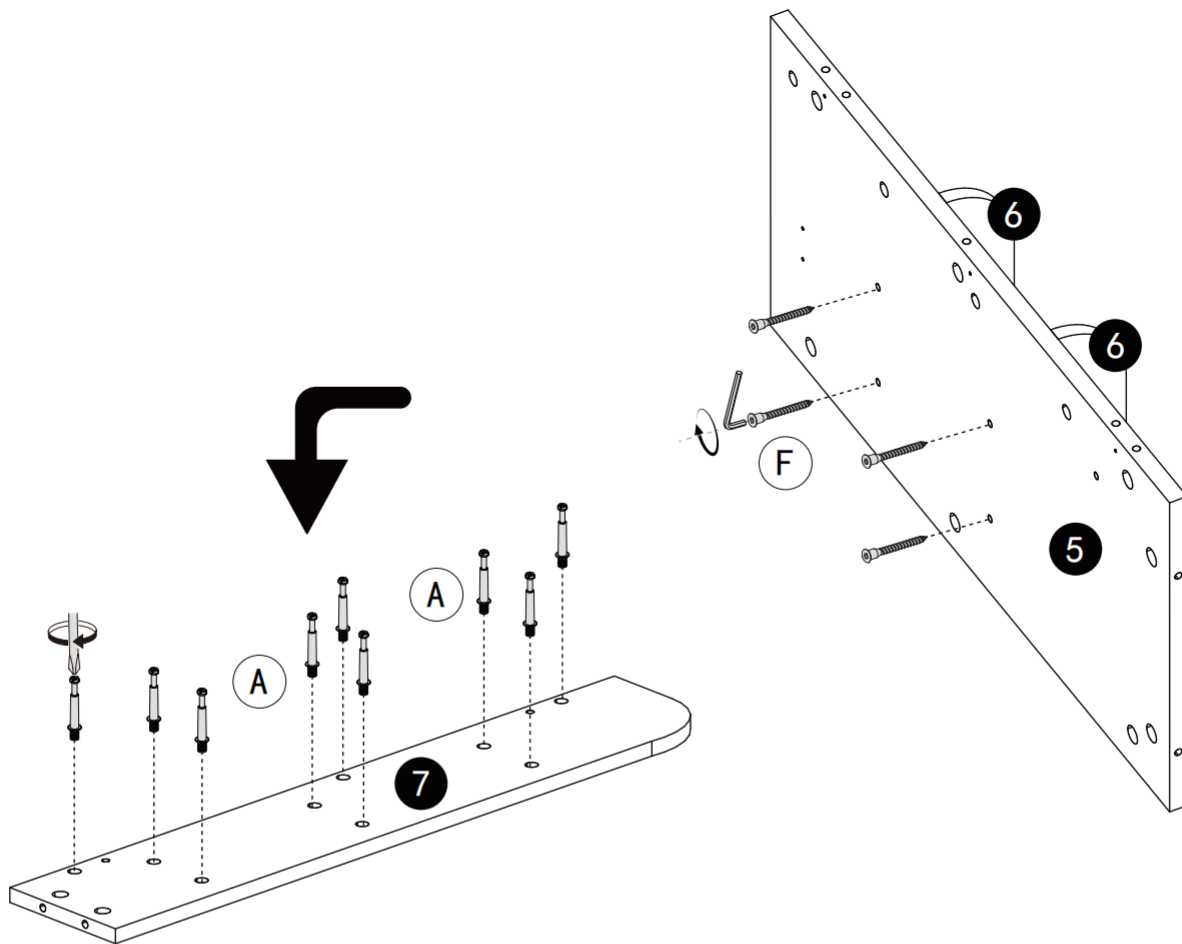




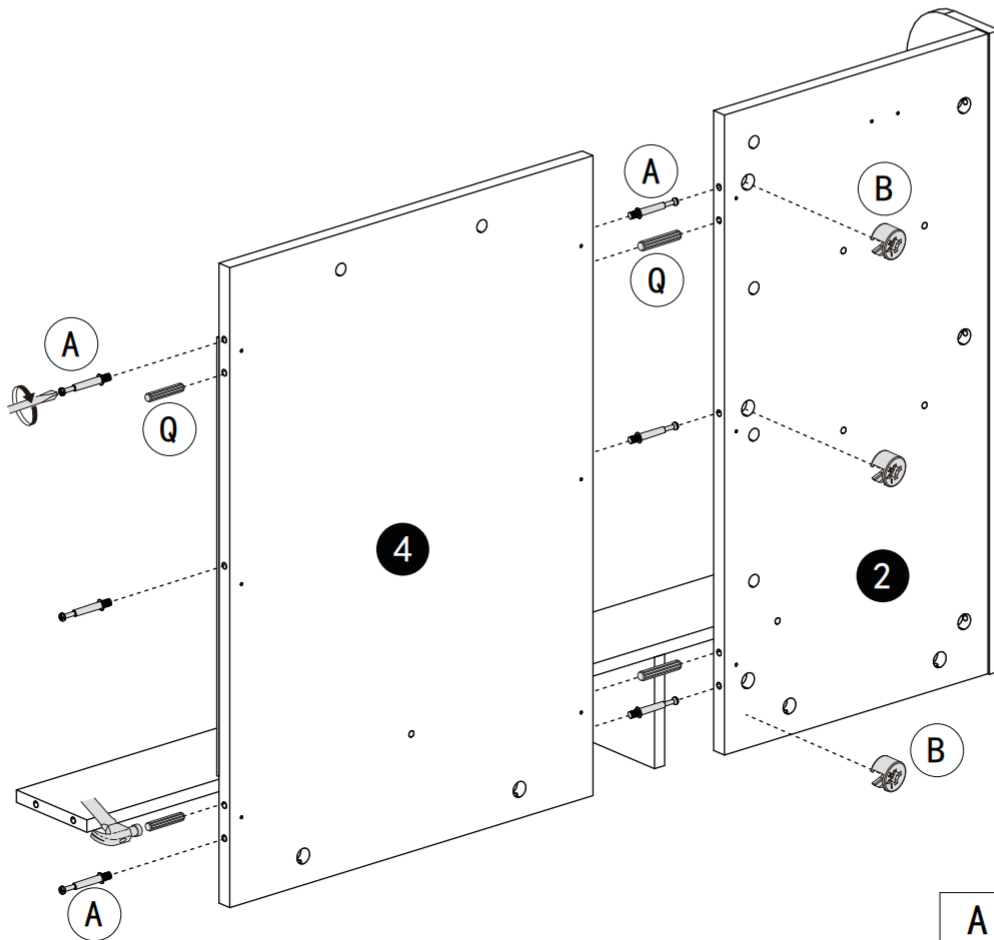
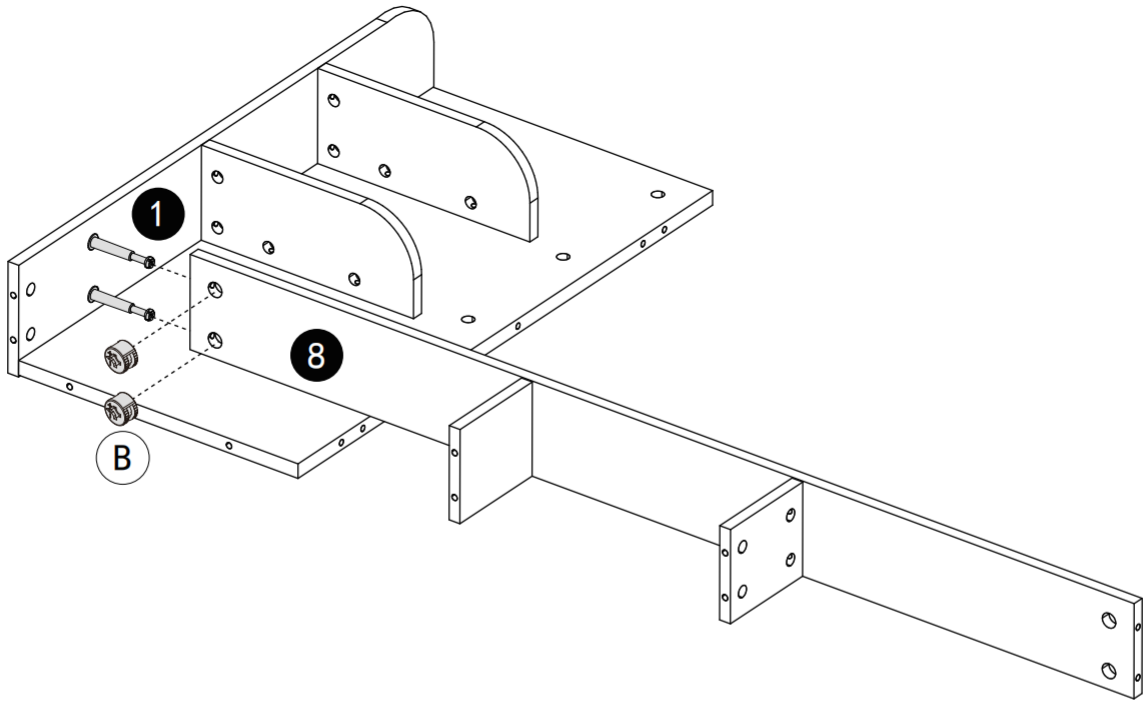
A		x4
B		x4






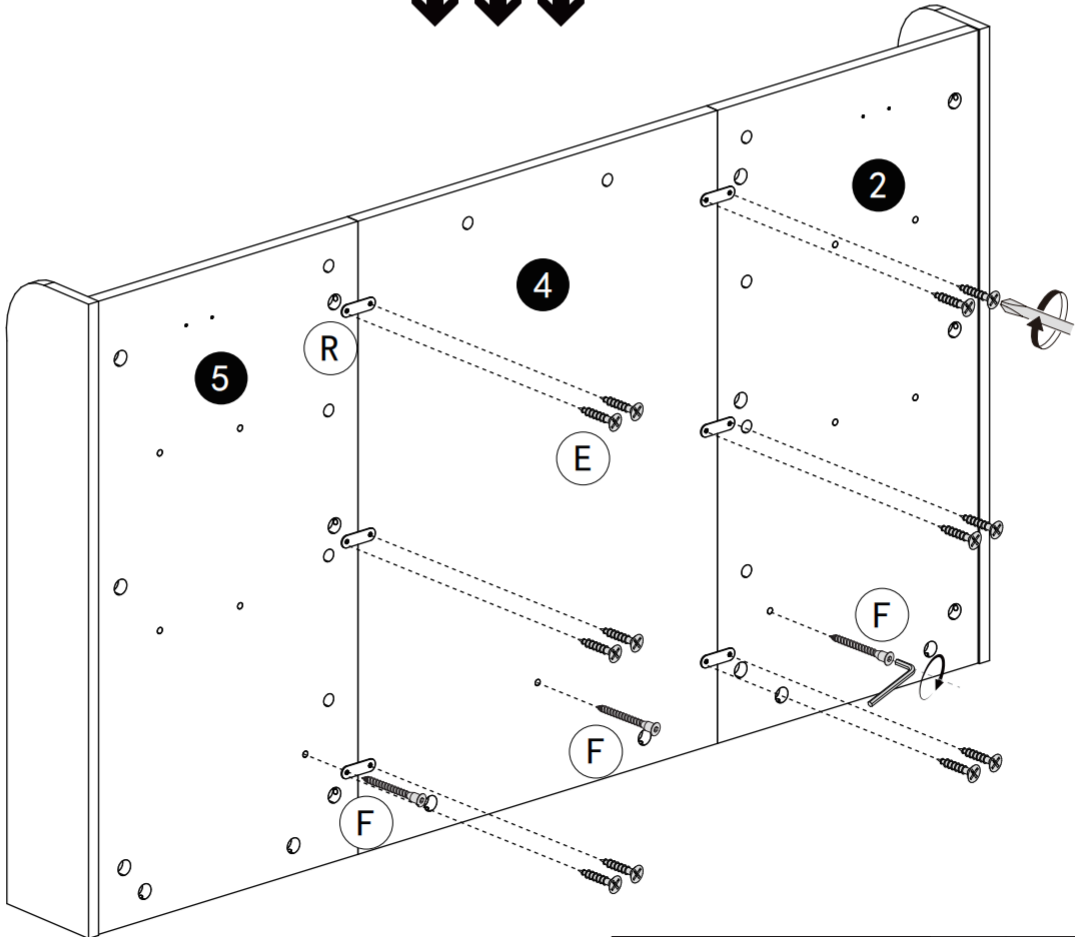
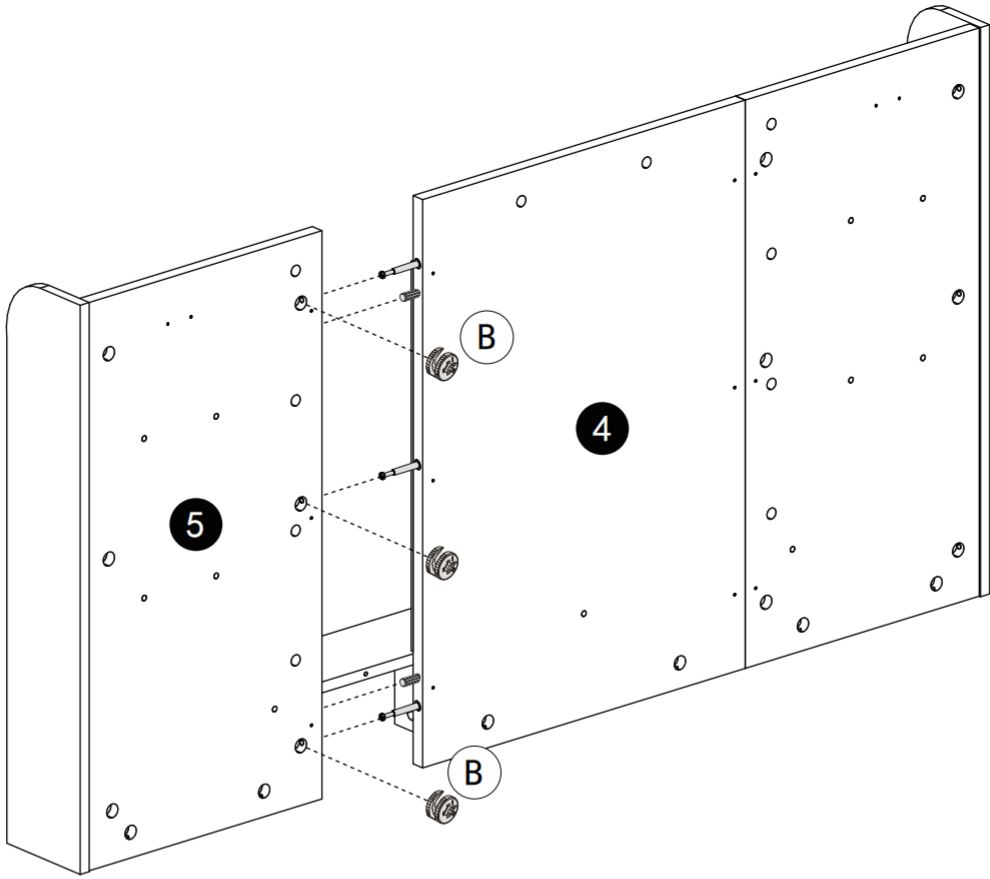
Q		x2
A		x9
F		x4
B		x7







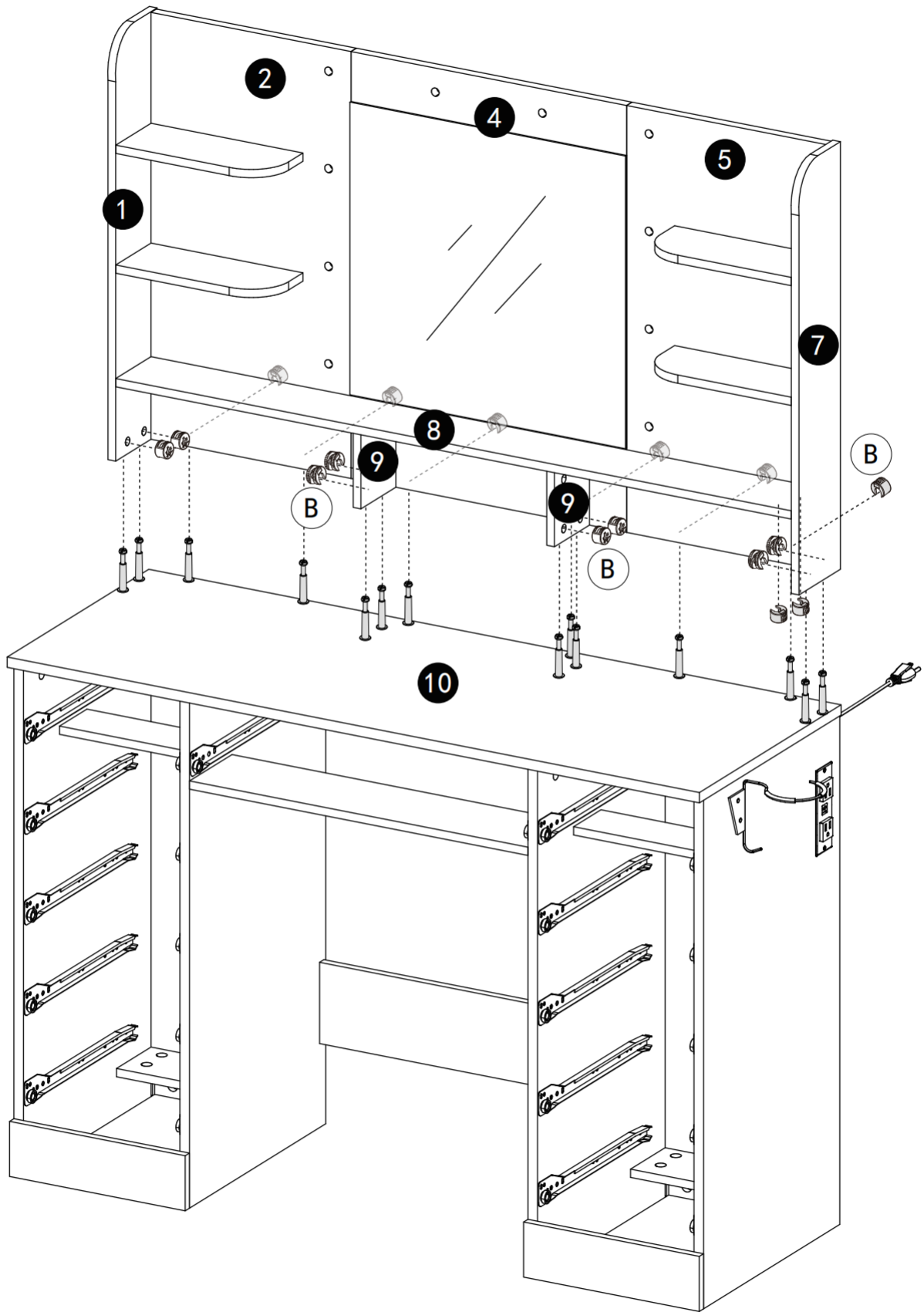
Q		x2
A		x9
F		x4
B		x7



A		x6
Q		x4
B		x5



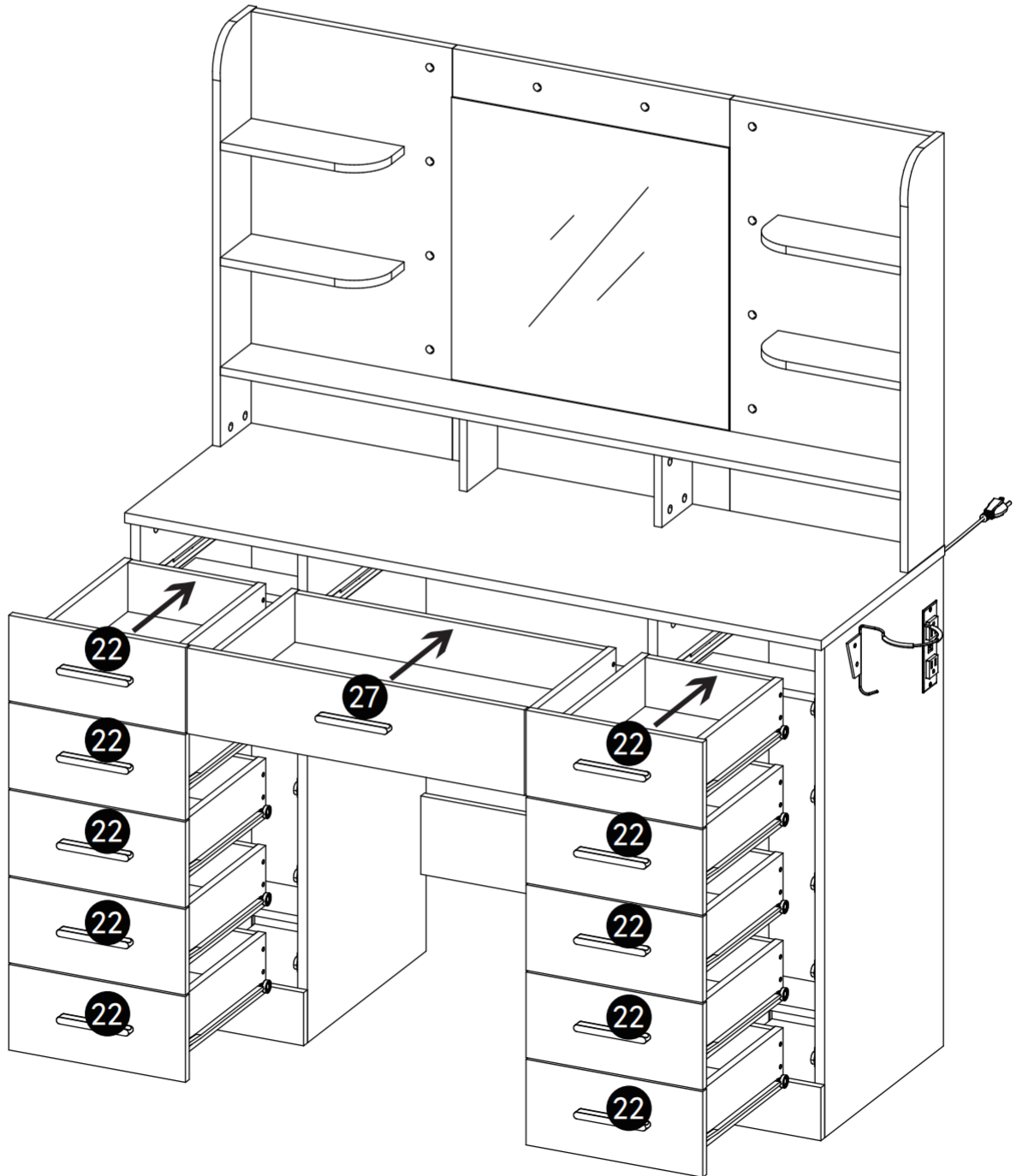
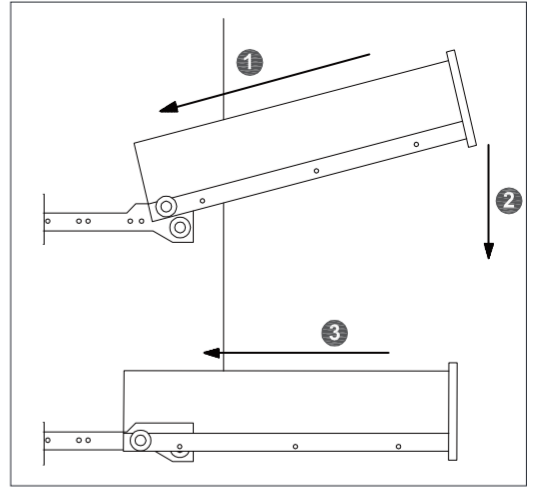
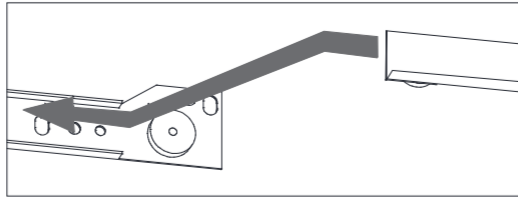
E		x12	F		x3
R		x6	B		x3



B



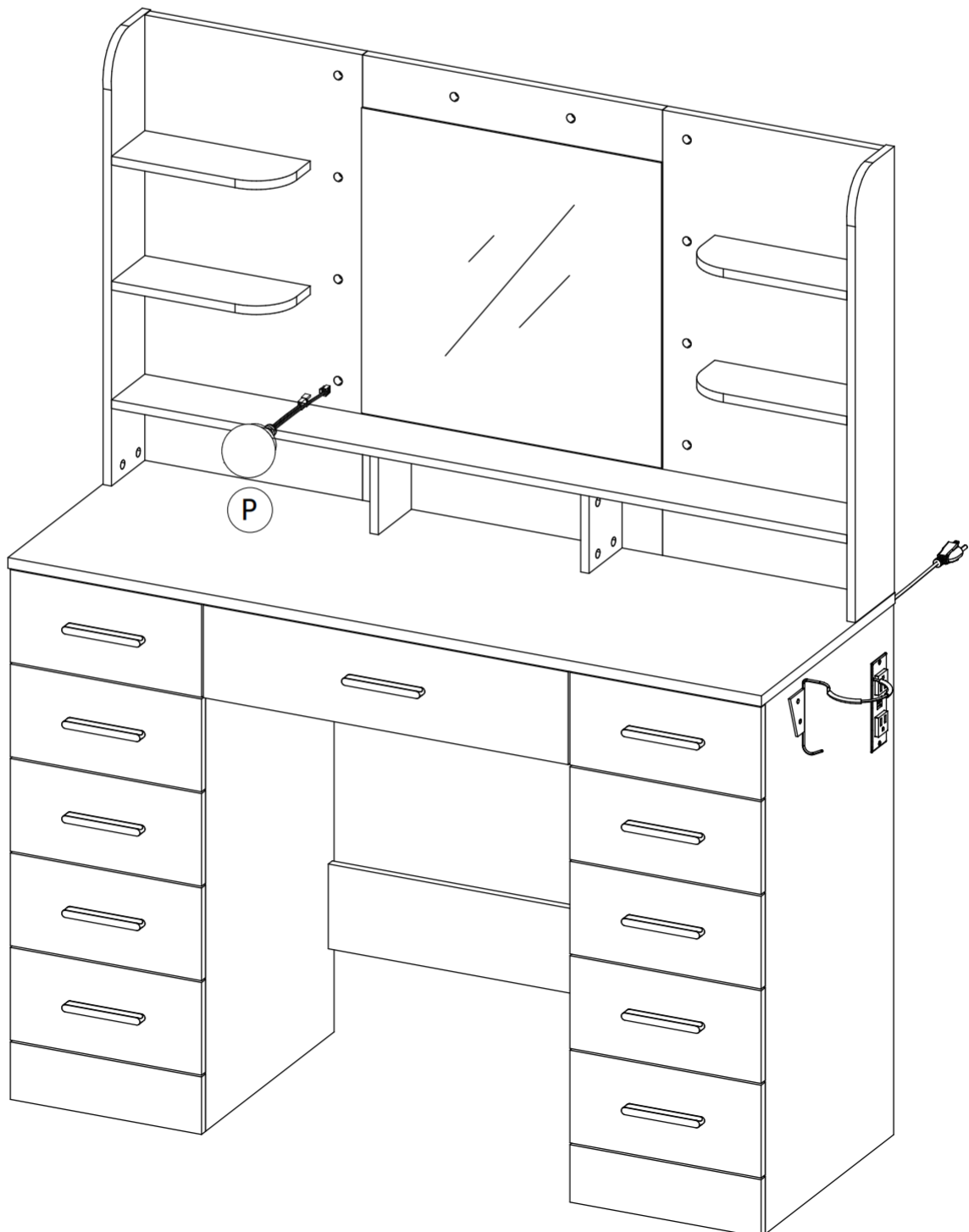
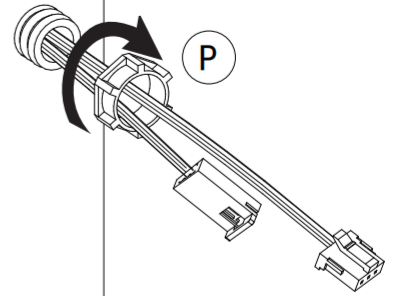
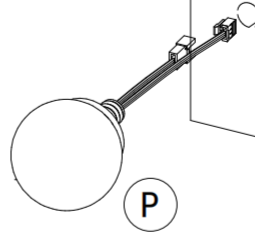
x16



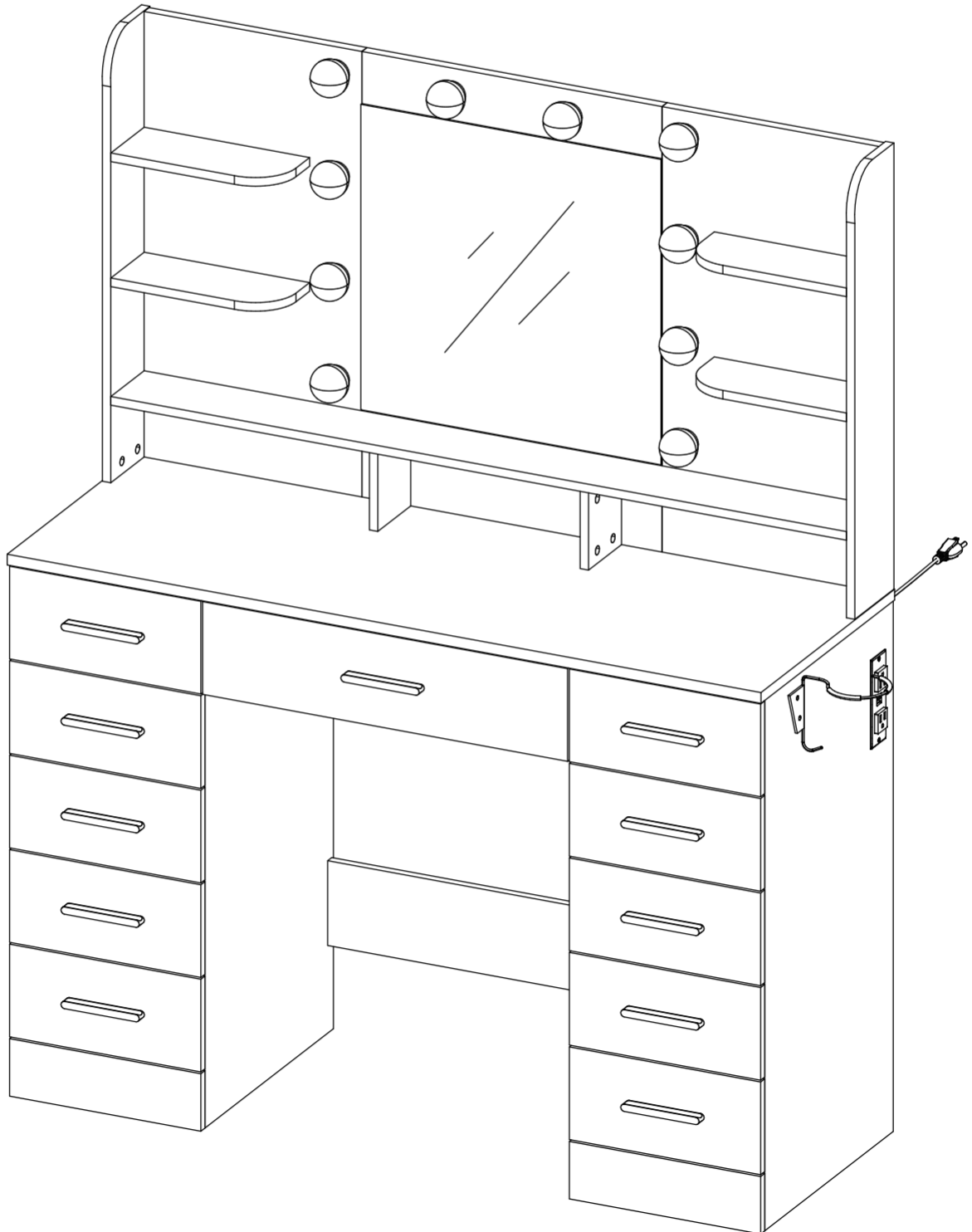
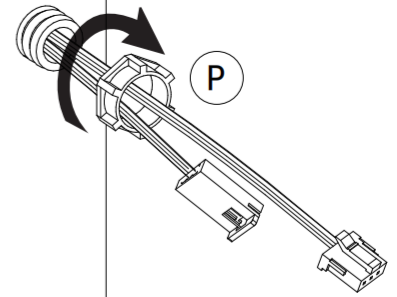
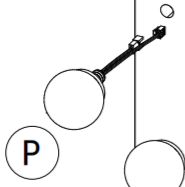


x10 PC

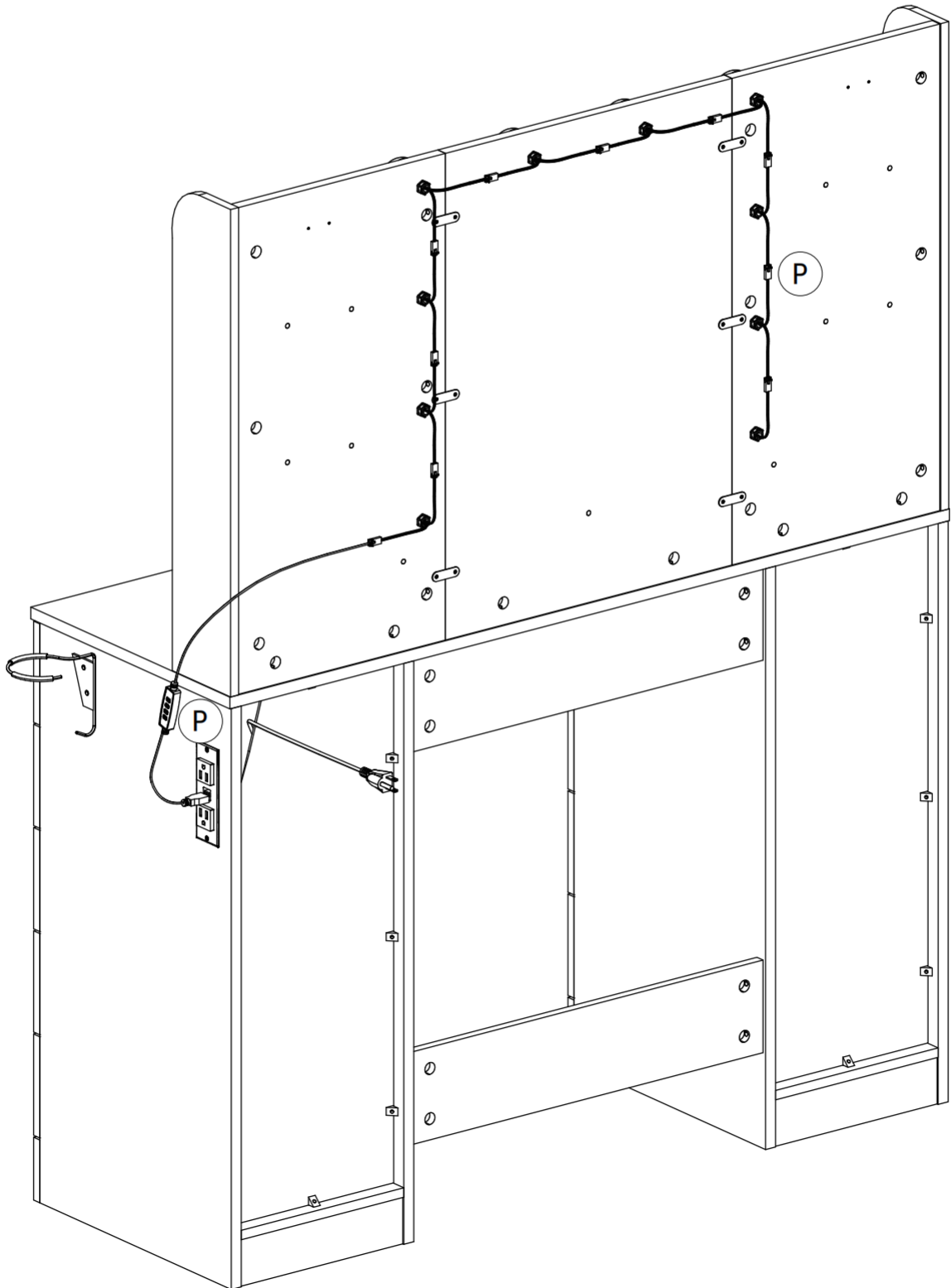
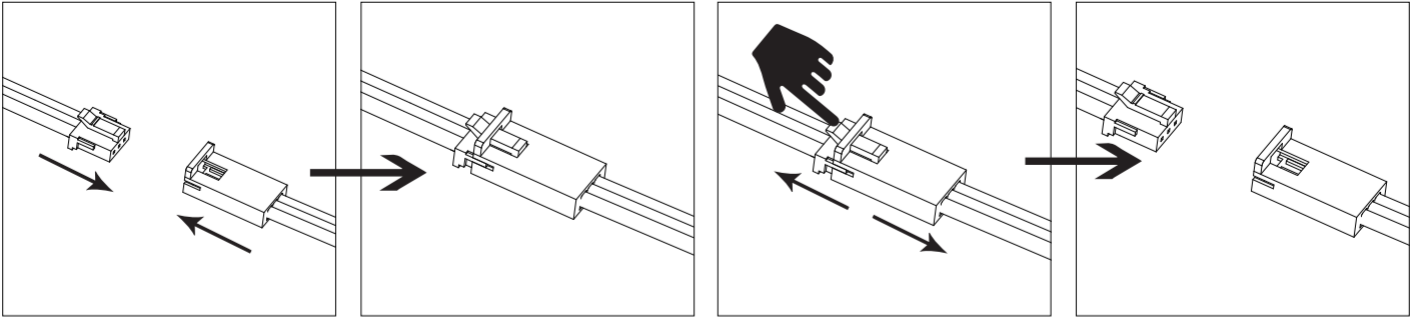
Install the
middle bulbs
(10 pcs)



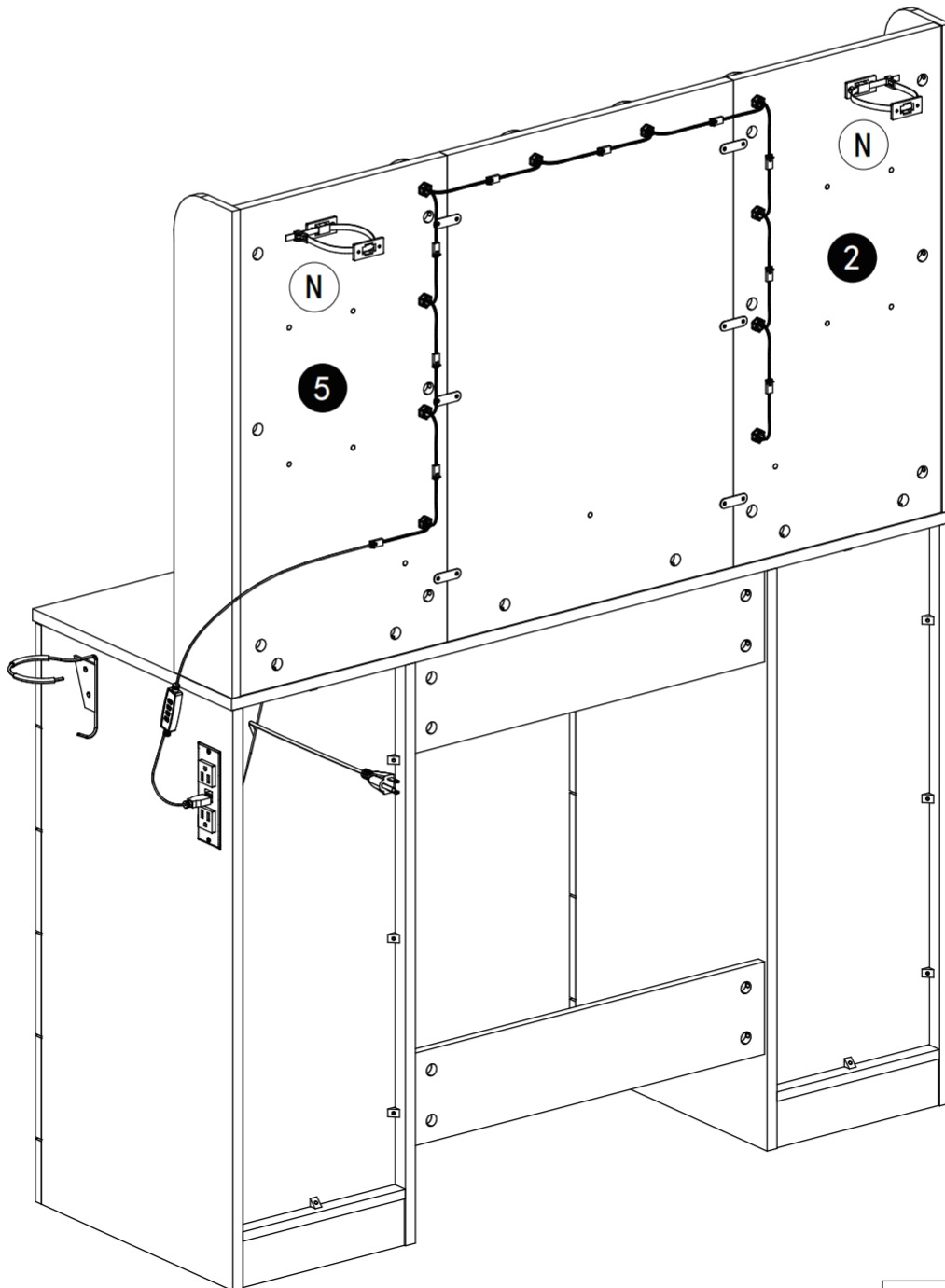
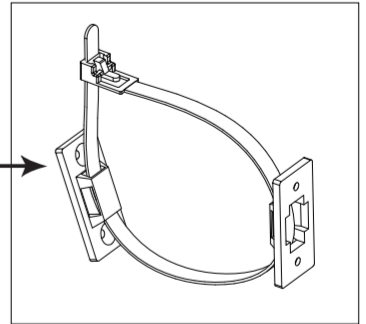
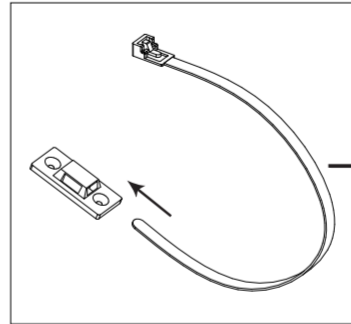
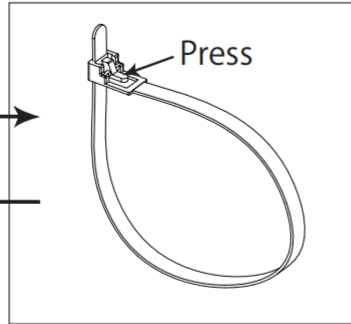
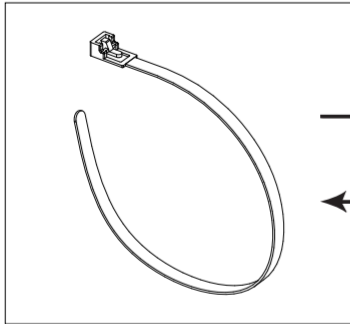
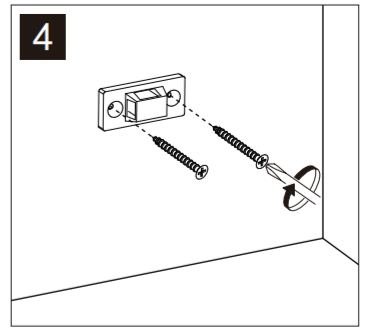
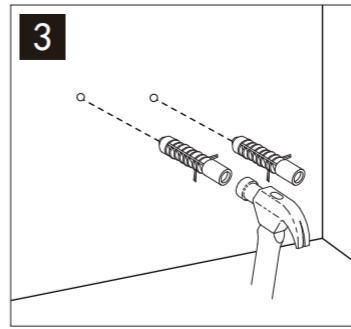
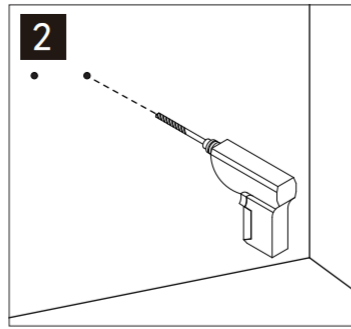
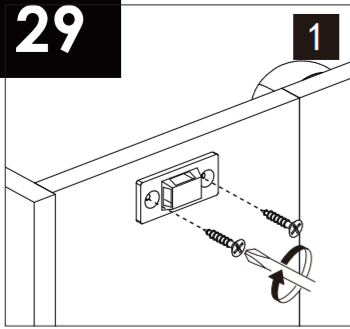
27



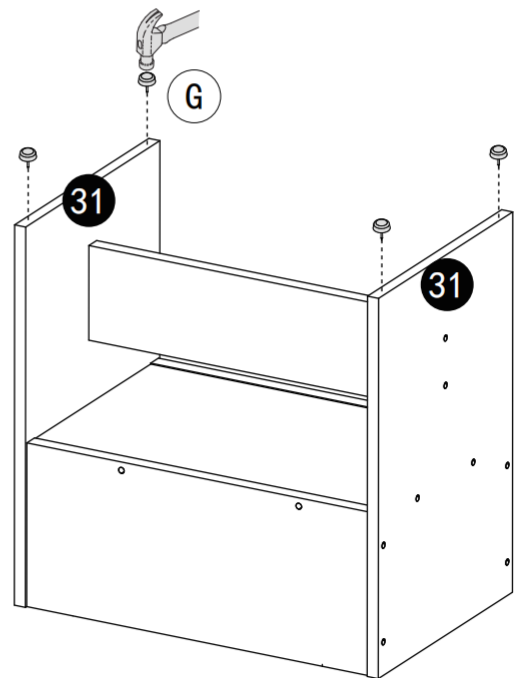
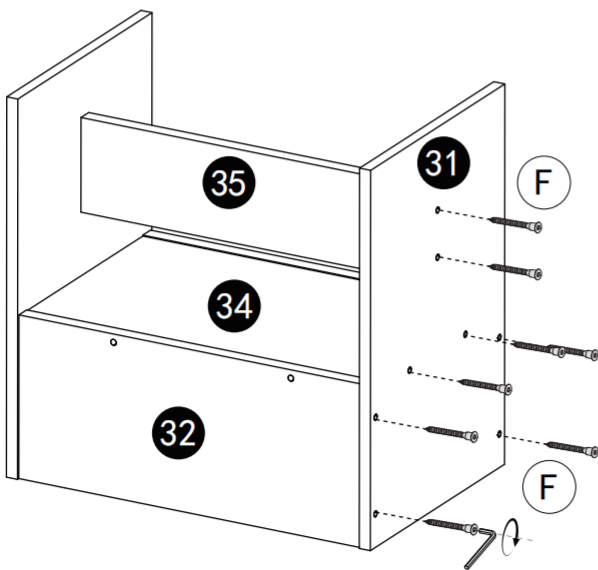
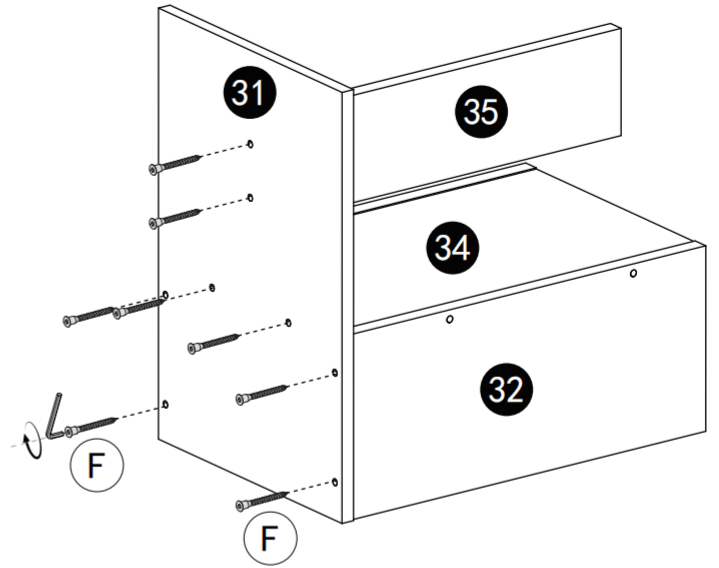
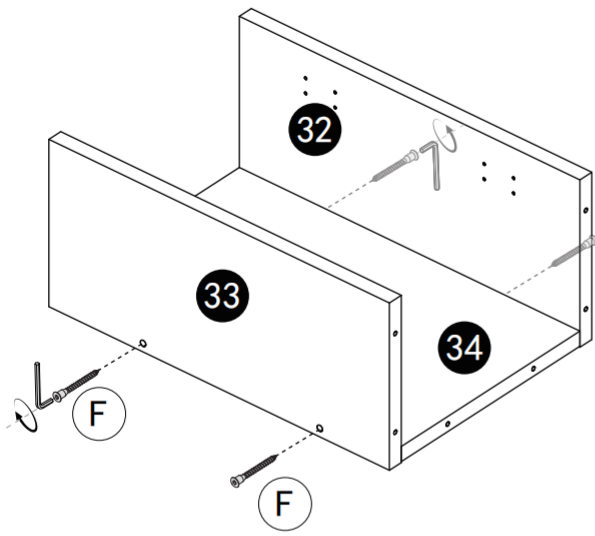
P  x1





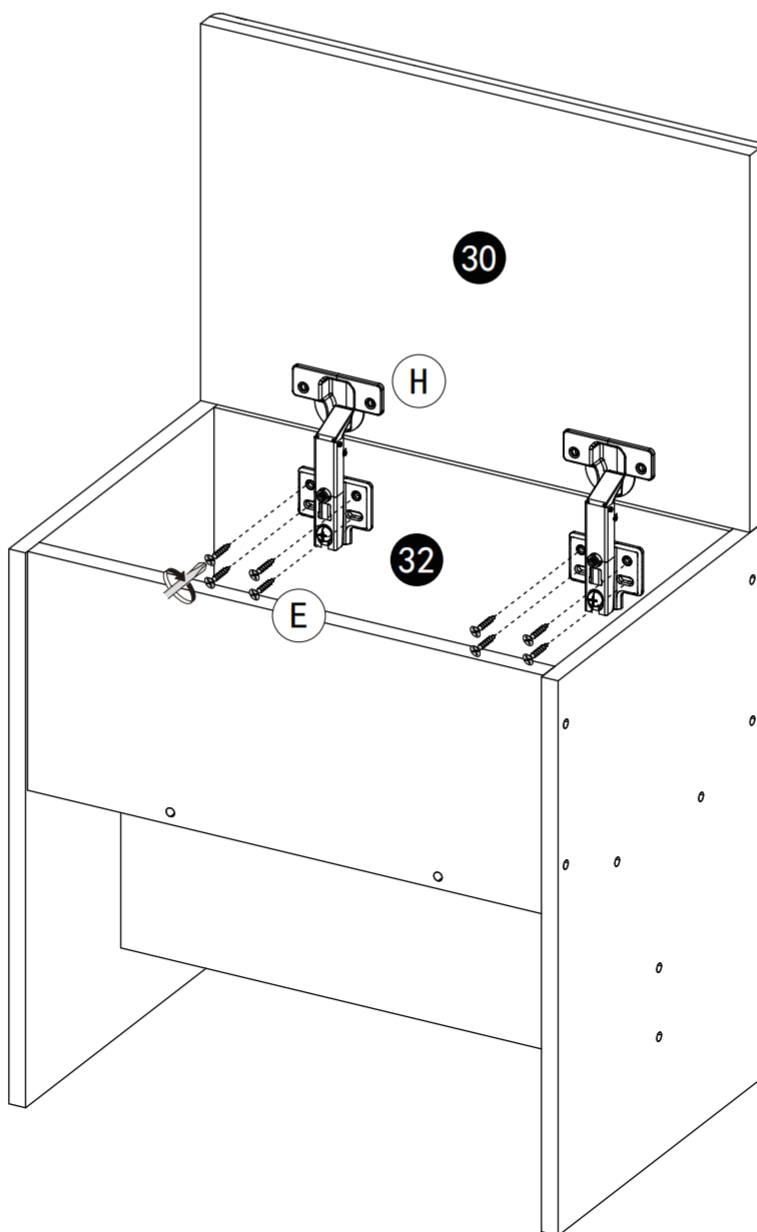
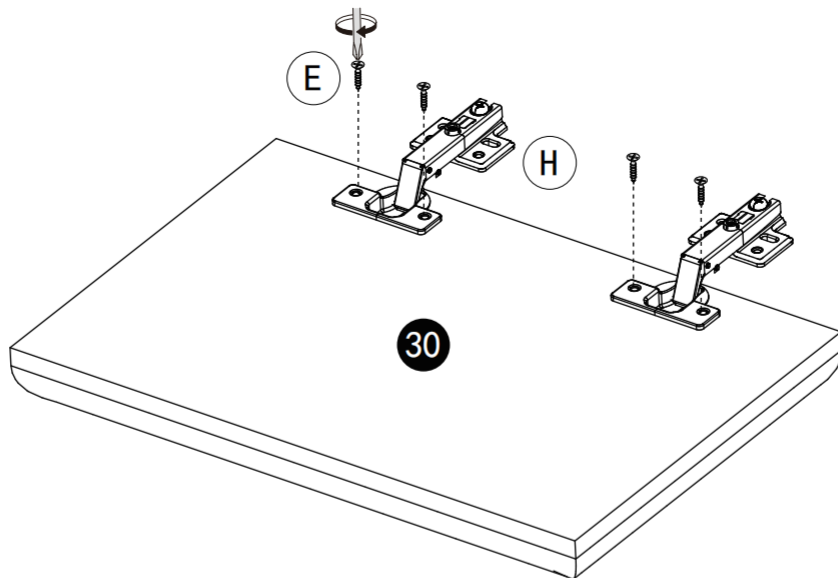
29





N    x2

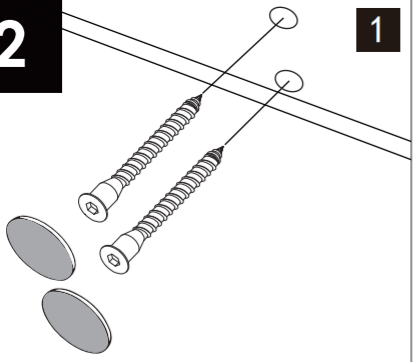


F		x20
G		x4



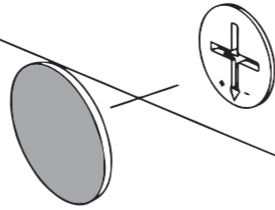
E		x12
H		x2

32

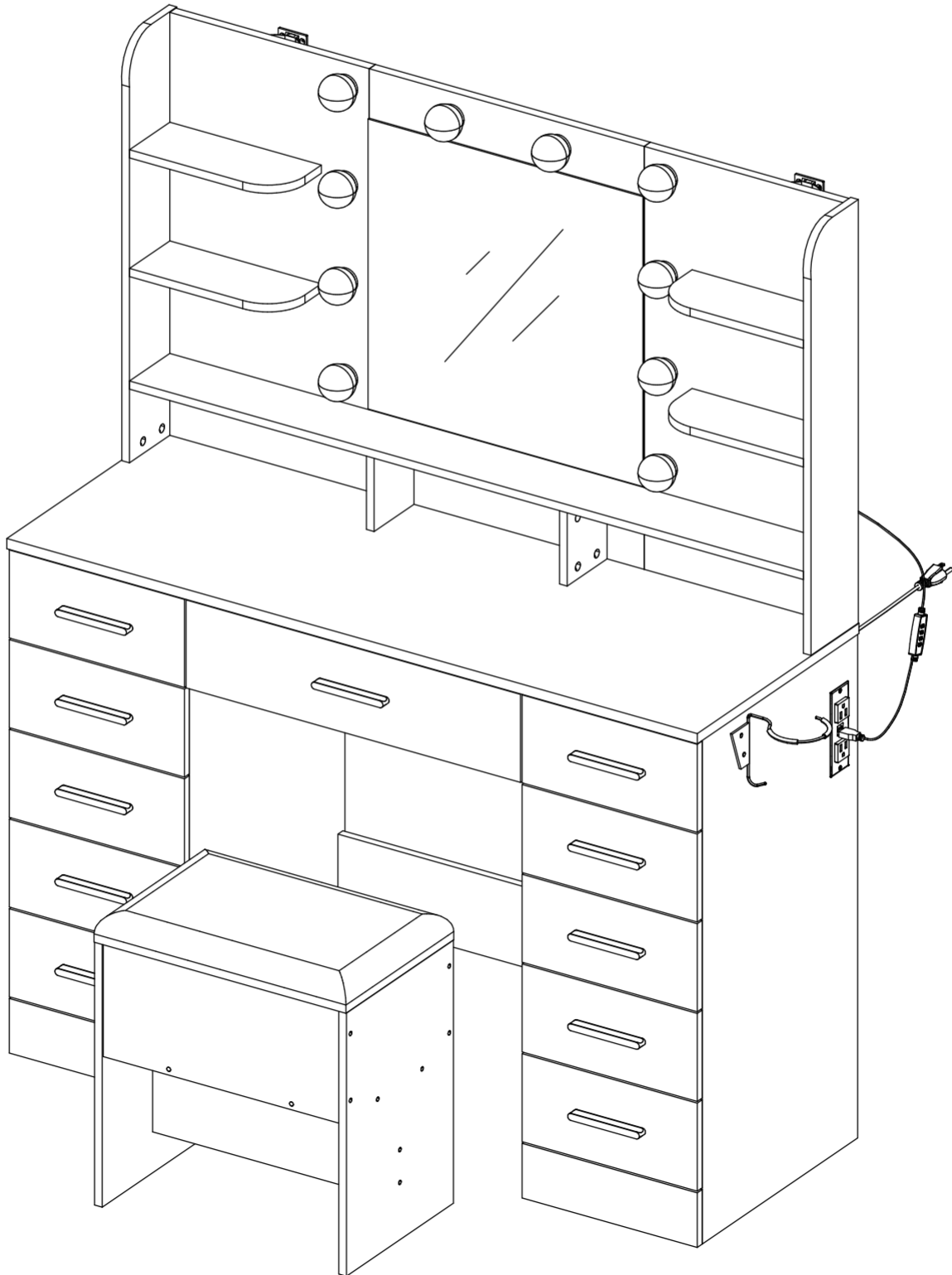


1

2



Add L fittings to all exposed holes on the front of the product



L  x10