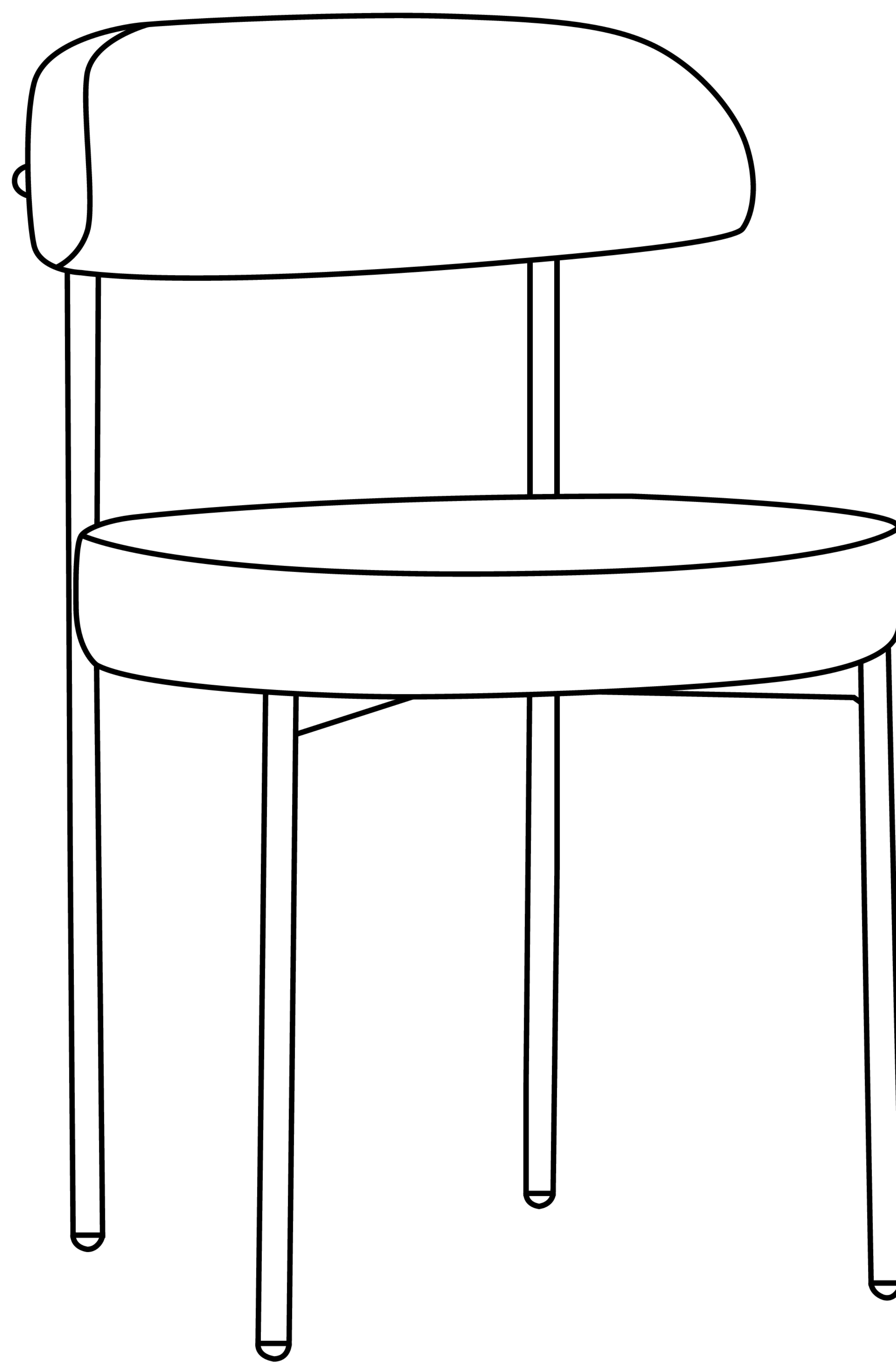


# **Assembly Manual**

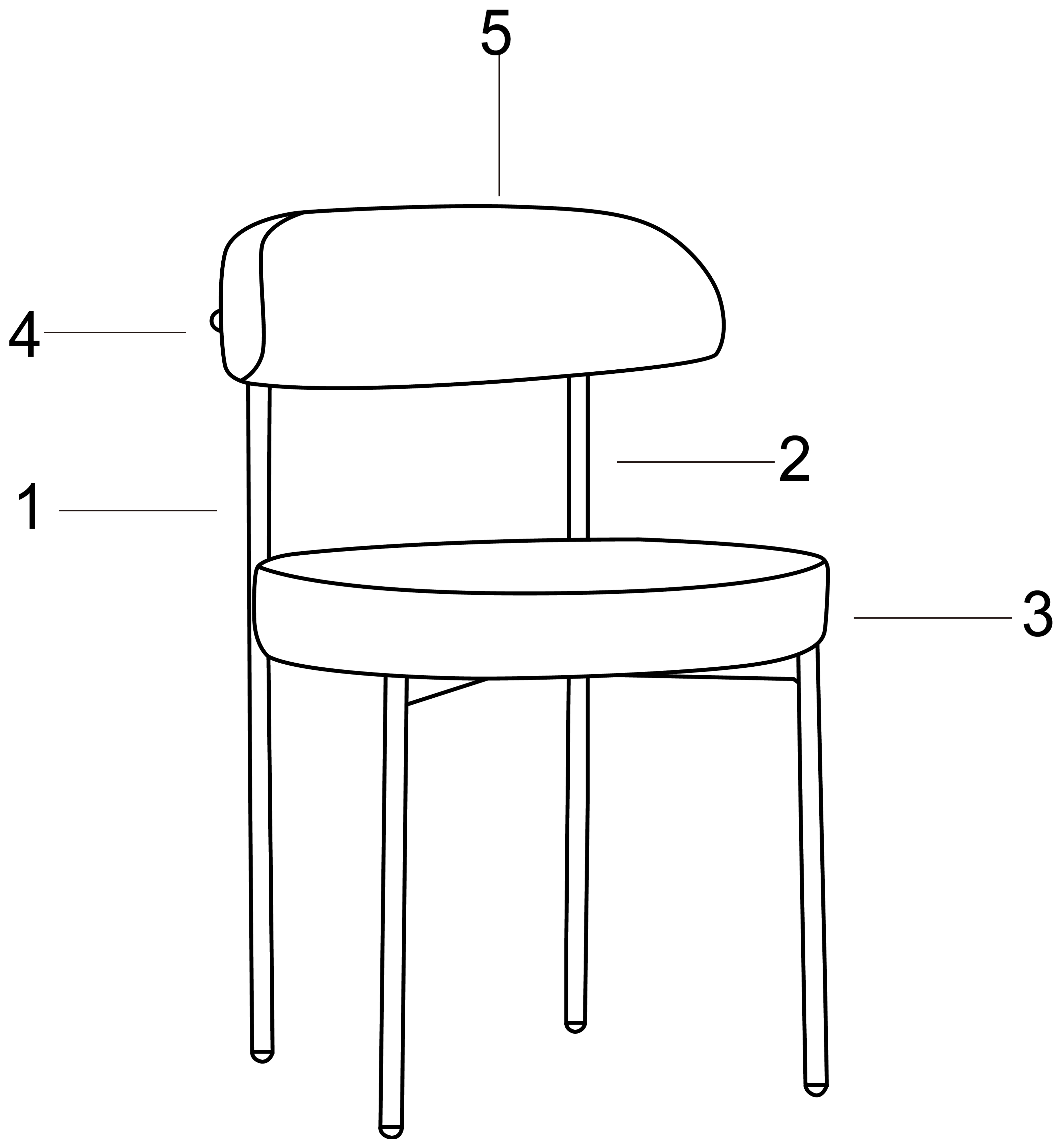
## **Dining Chair**



**Please read this manual carefully before any operation and keep it properly for future use.**

**If any problems on our product, please feel free to contact us**

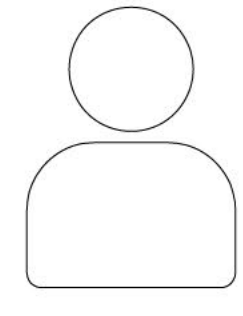
# Exploded View



# Components List

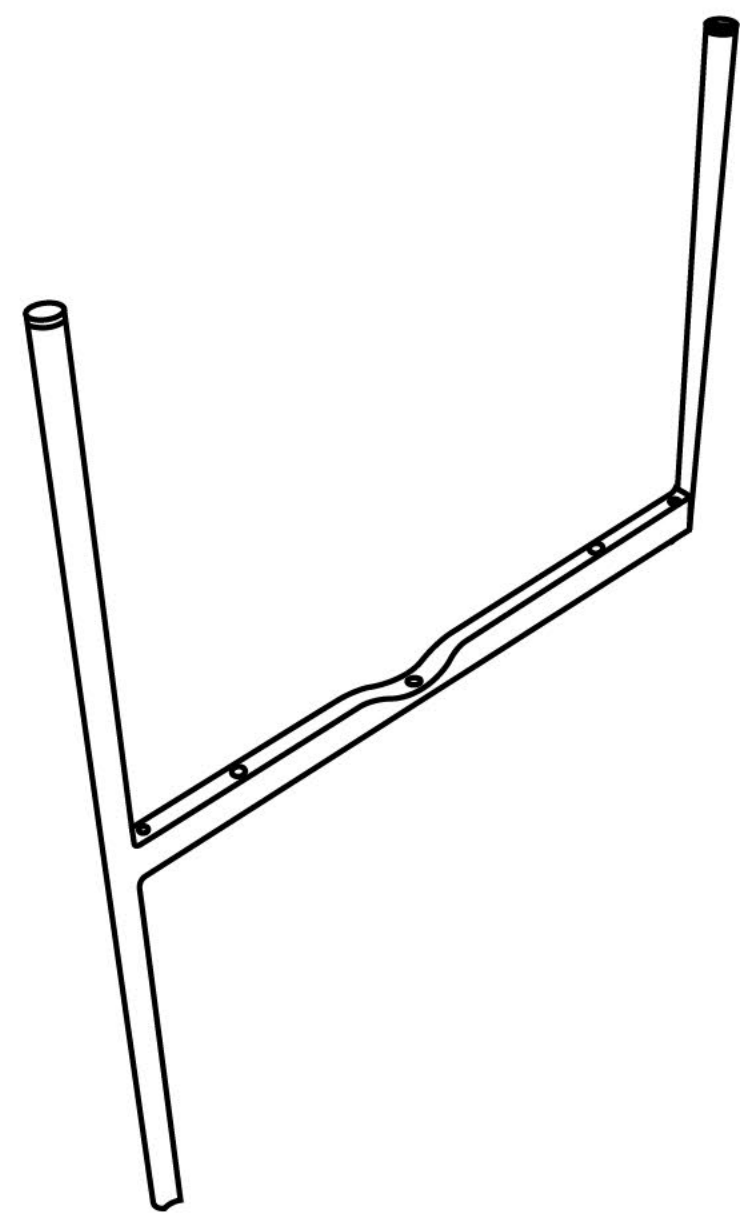
**15** min

Assembly Time

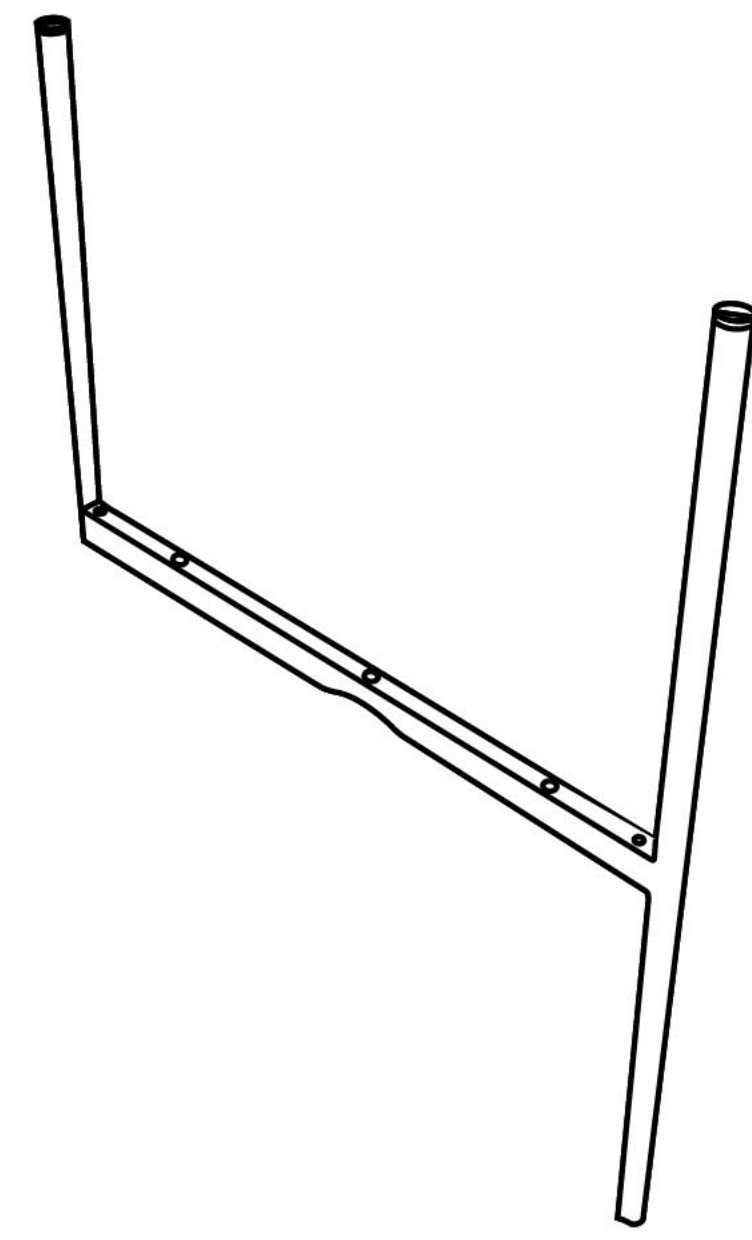


One People

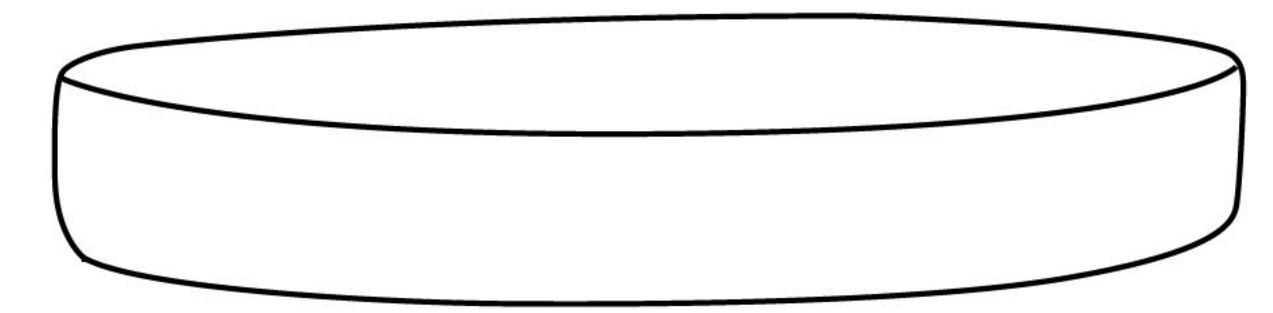
Note: The number after "+" sign indicates the extra piece(s).



**1**  
**Left leg\*1**



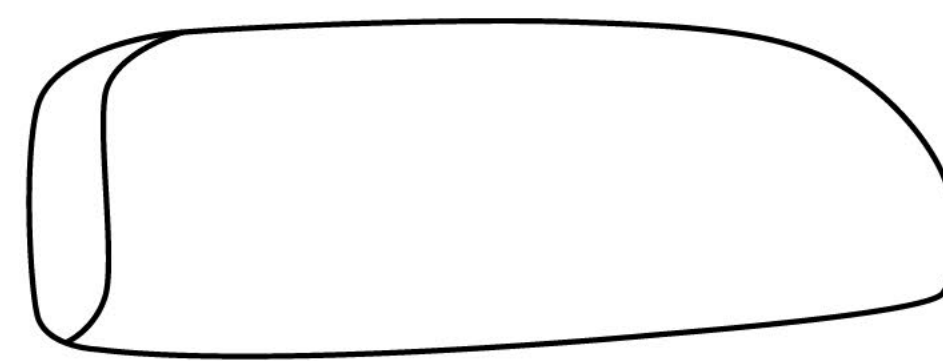
**2**  
**Right leg\*1**



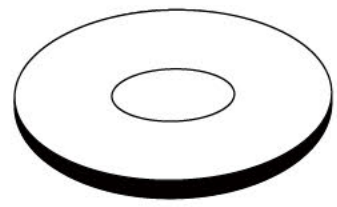
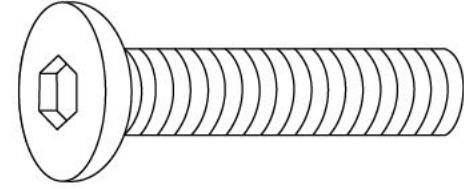

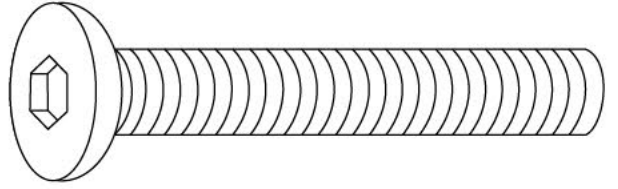
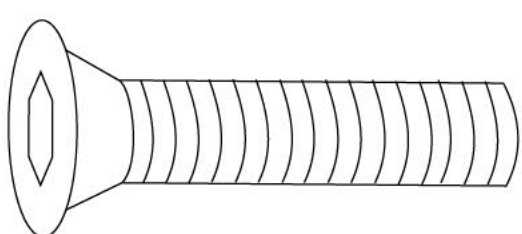

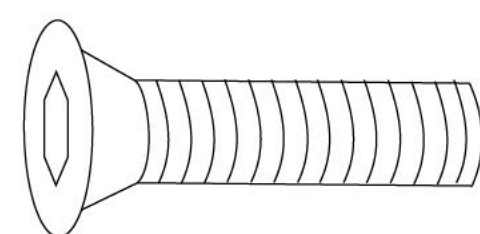
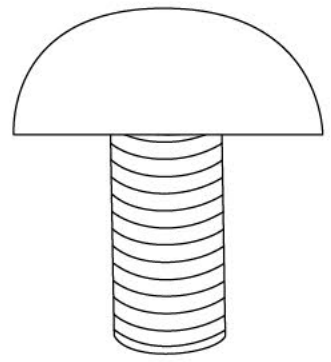
**3**  
**Cushion\*1**



**4**  
**Strut\*1**



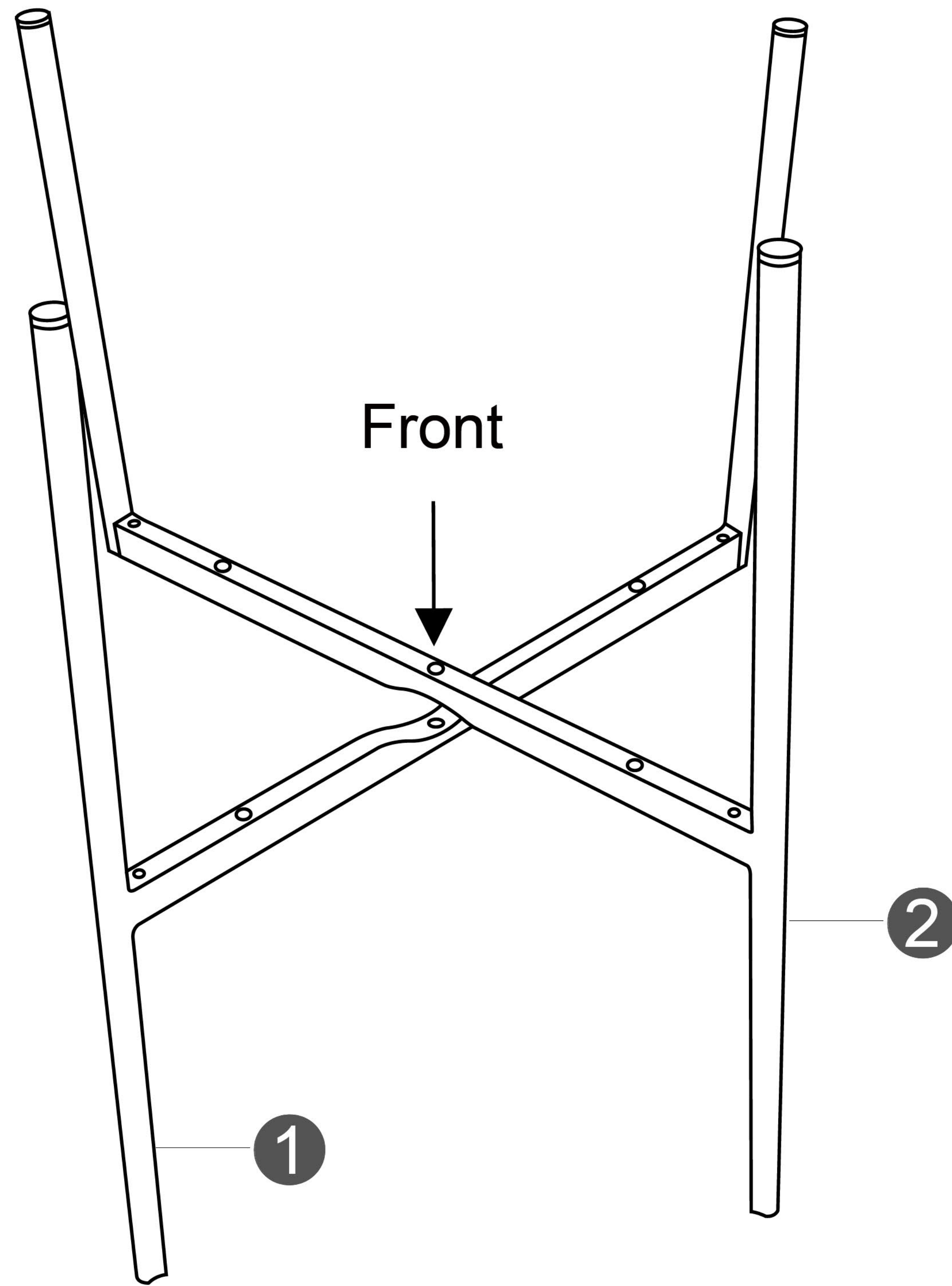
**5**  
**Back\*1**

<b>A</b>			<b>B</b>			<b>C</b>			<b>D</b>		
											
Washer	M6x14x1.5mm	5+1	Bolt	M6x30mm	1+1	Allen wrench	#5	1	Bolt	M6x45mm	4+1
<b>E</b>			<b>F</b>			<b>G</b>			<b>H</b>		
											
Bolt	M6x35mm	2+1	Allen wrench	#4	1	Bolt	M6x30mm	3+1	Adjustable leg pad		4+1

# Assembly Instruction

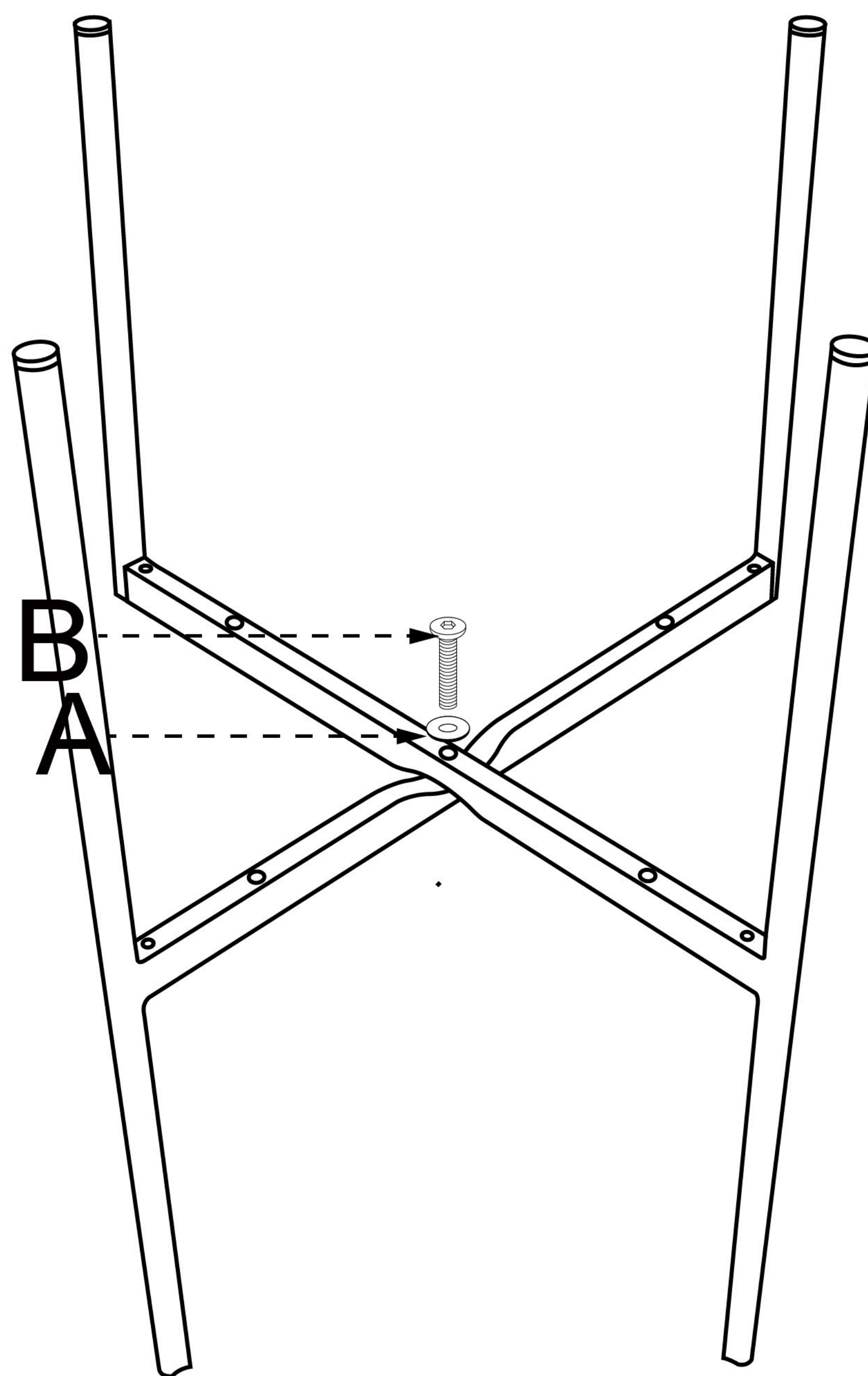
**STEP 1**

Place right leg(2) on left leg(1) as shown below.



**STEP 2**

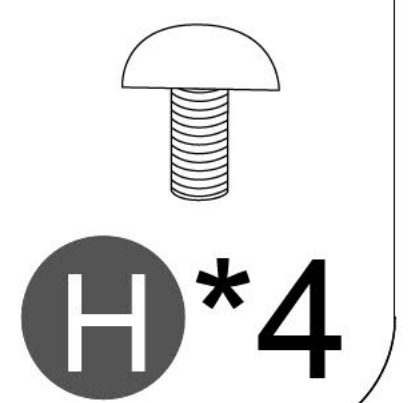
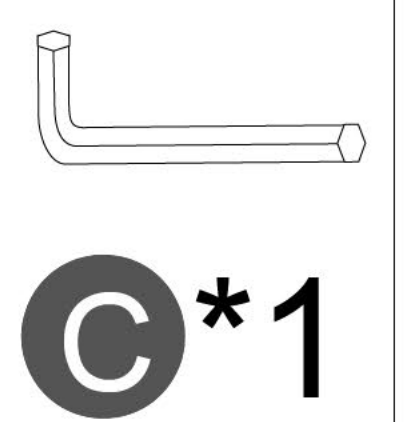
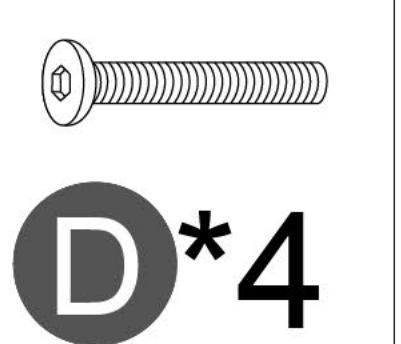
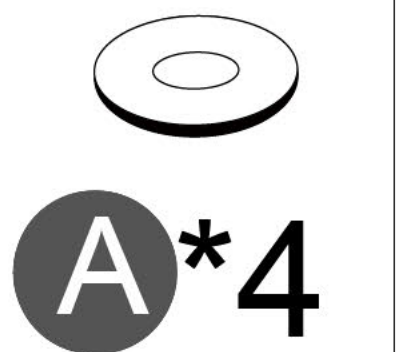
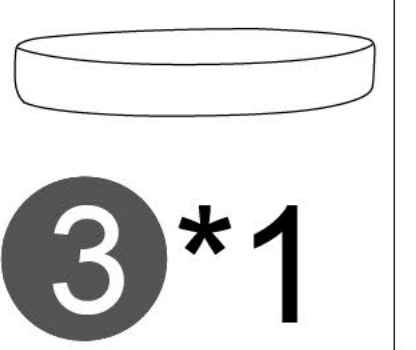
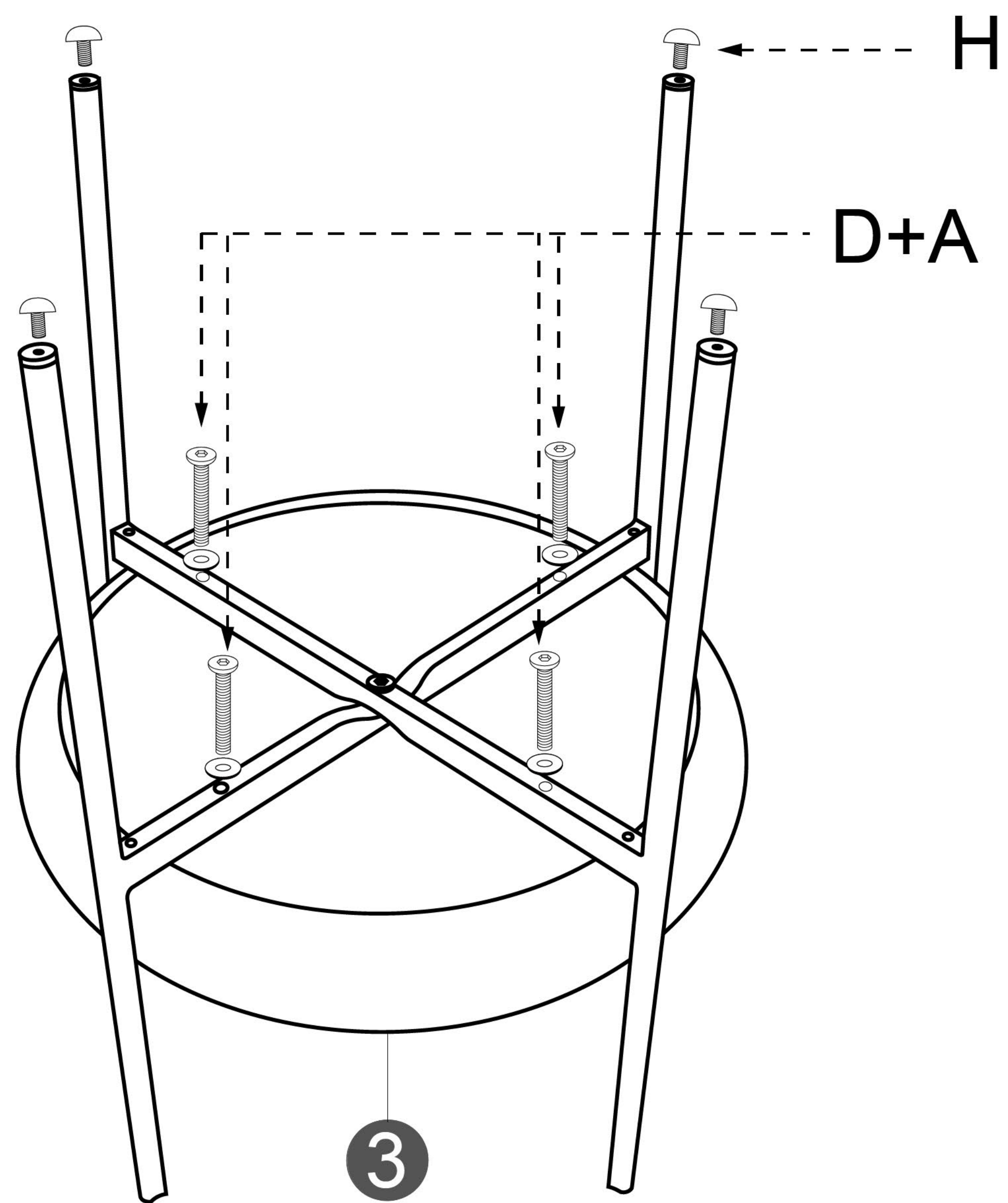
Attach right leg(2) to left leg(1) using washer(A), bolt(B) and Allen wrench(C).



# Assembly Instruction

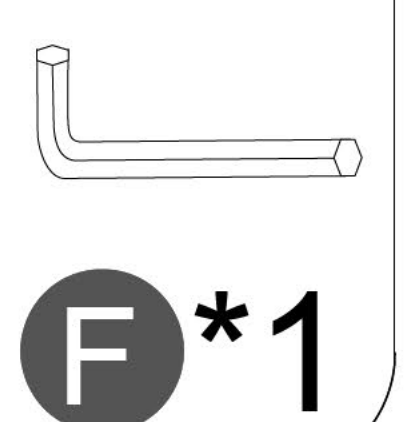
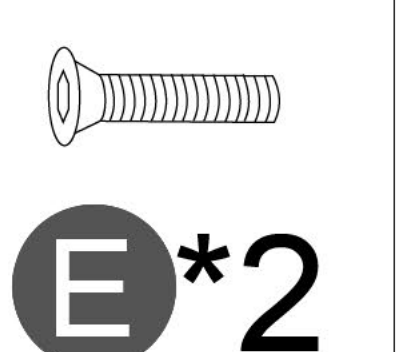
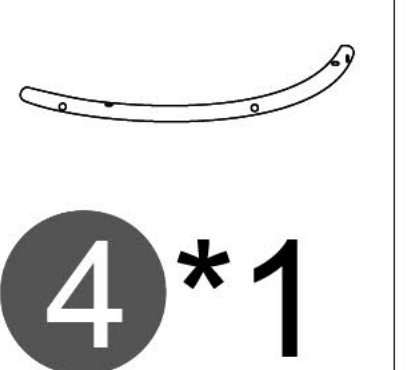
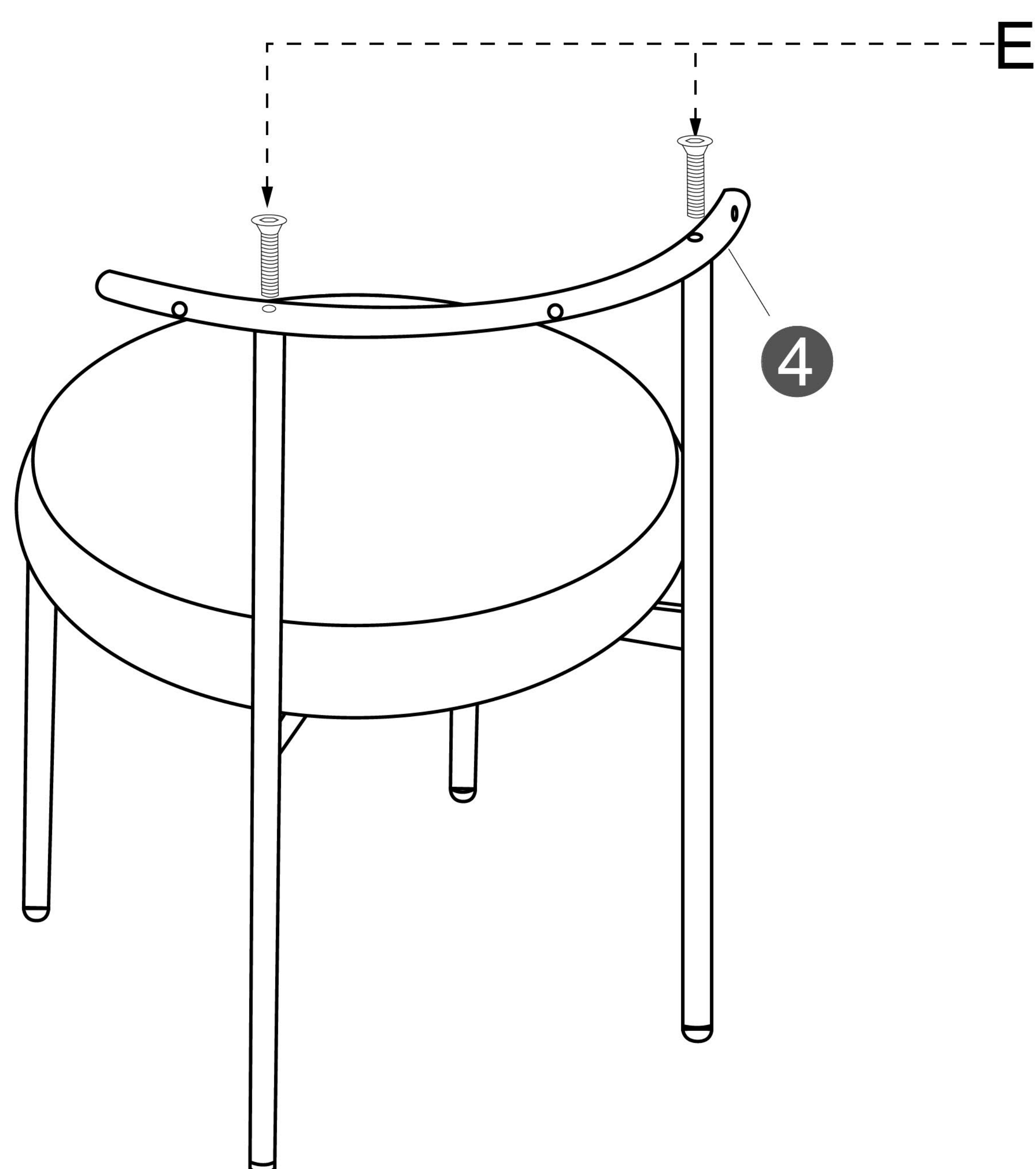
## STEP 3

Attach cushion(3) to legs using washers(A), bolts(D) and Allen wrench(C), then screw adjustable leg pads(H) into the bottom of legs.



## STEP 4

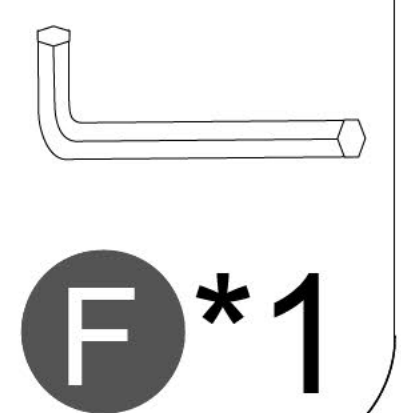
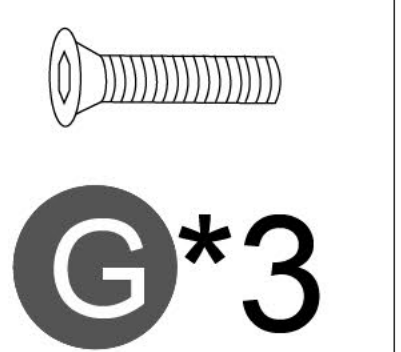
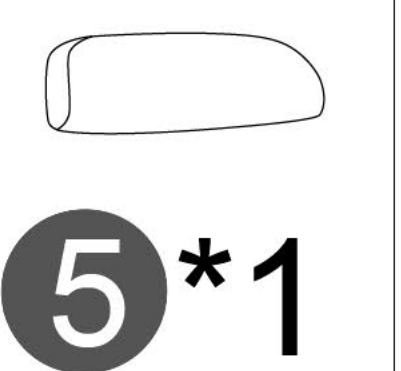
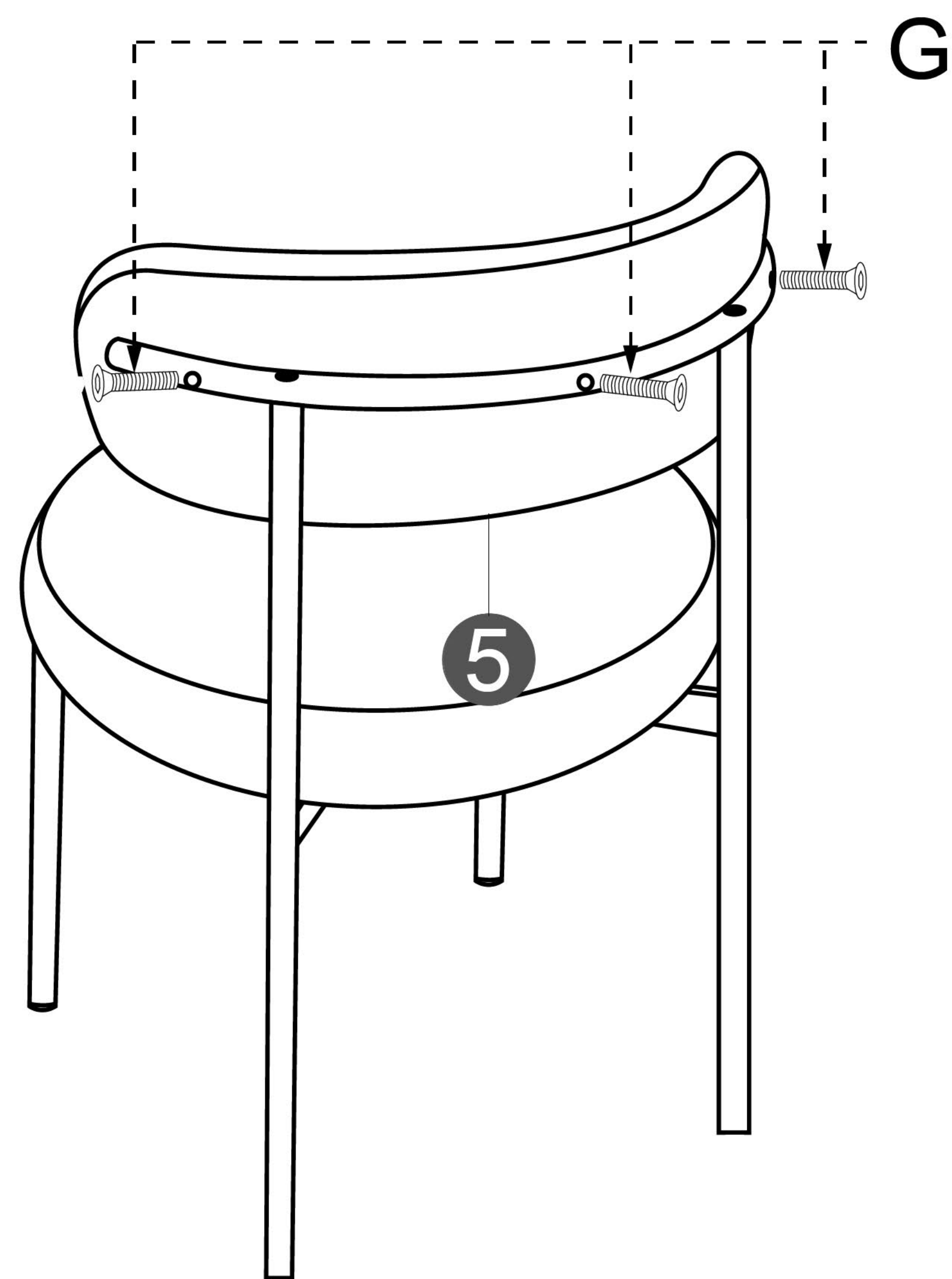
Attach strut(4) to legs using bolts(E) and Allen wrench(F).



# Assembly Instruction

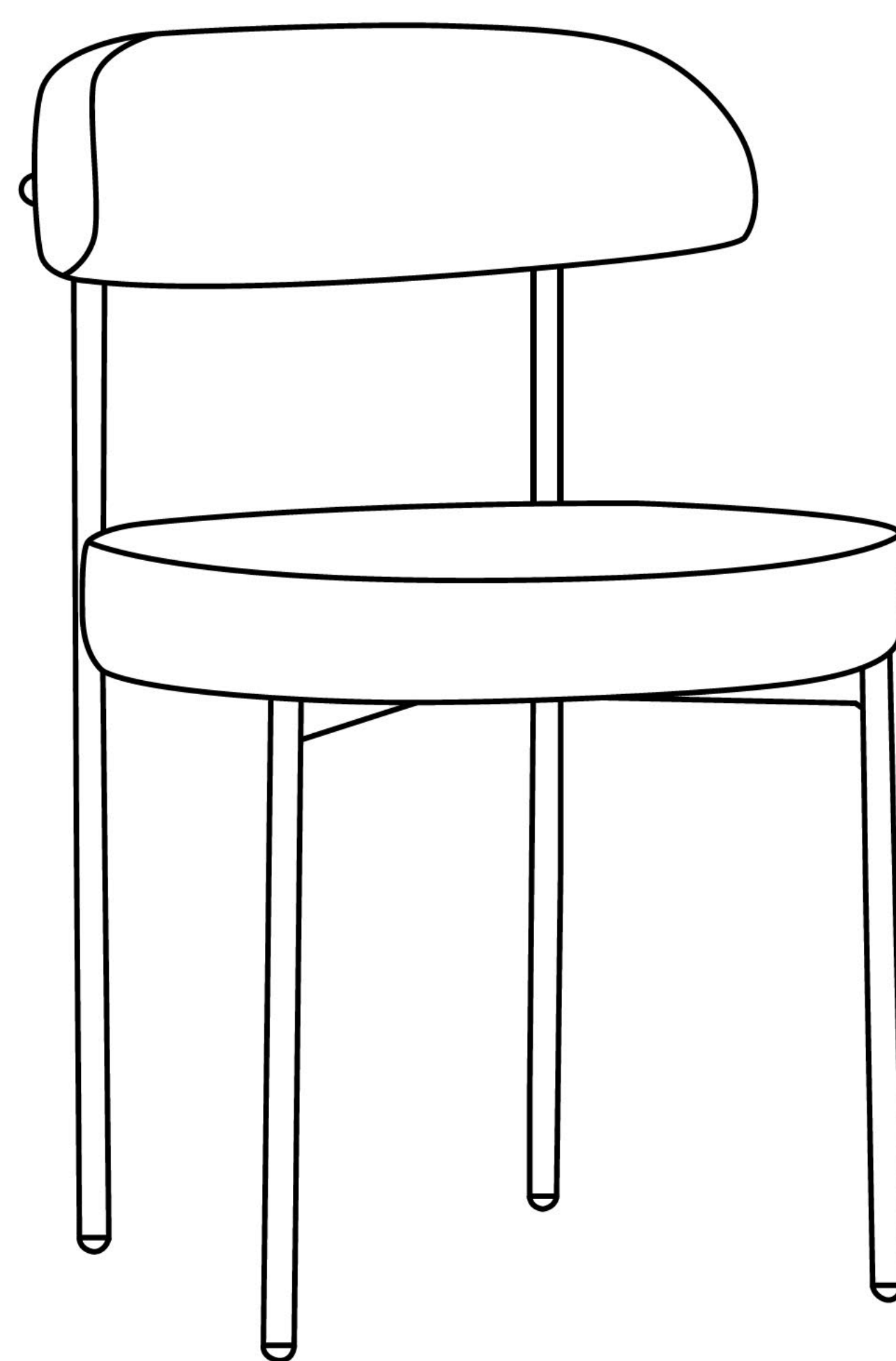
**STEP 5**

Attach backrest(5) to strut(4) using bolts(G) and Allen wrench(F).



**STEP 6**

Tighten all bolts completely. If you find the chair not level, please adjust by rotating the leg pads on the legs.



**DONE**