



## User Manual

### Prohibition Bar Stool






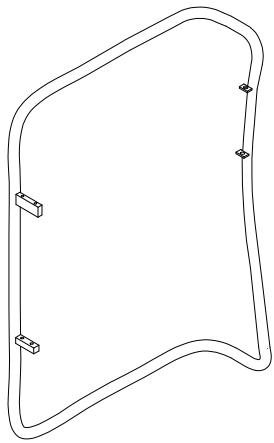
[RAMGAMEROOM.COM](http://RAMGAMEROOM.COM)

## MODEL:PROBSTL2ARM

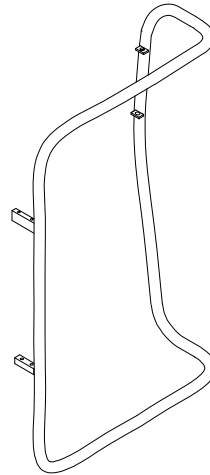
Read this instruction carefully. Refer hardware and furniture parts list for guidance. Be sure all parts are complete before assembling. Place all wooden furniture parts on a clean and flat soft surface to prevent scratches. Refer steps provided as assembling guide.

PART LIST		
ITEM	DESCRIPTION	QTY
A	Left Arm Frame	1PC
B	Right Arm Frame	1PC
C	Seat Cushion	1PC
D	Back Cushion	1PC
E	Seat Frame	1PC
F	Foot Rail	1PC

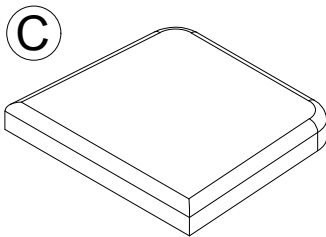
HARDWARE LIST		
ITEM	DESCRIPTION	QTY
1	Bolt M6*15 	16PCS
2	Washer Ø16 	8PCS
3	Lock Washer Ø8 	8PCS
4	Allen Wrench 4mm 	1PC
5	Bolt Ø1/4"*1-1/2" 	2PCS



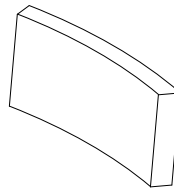
A



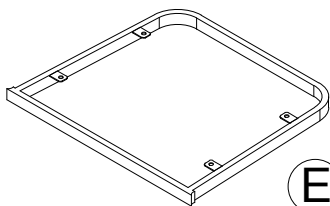
B



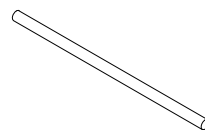
C



D



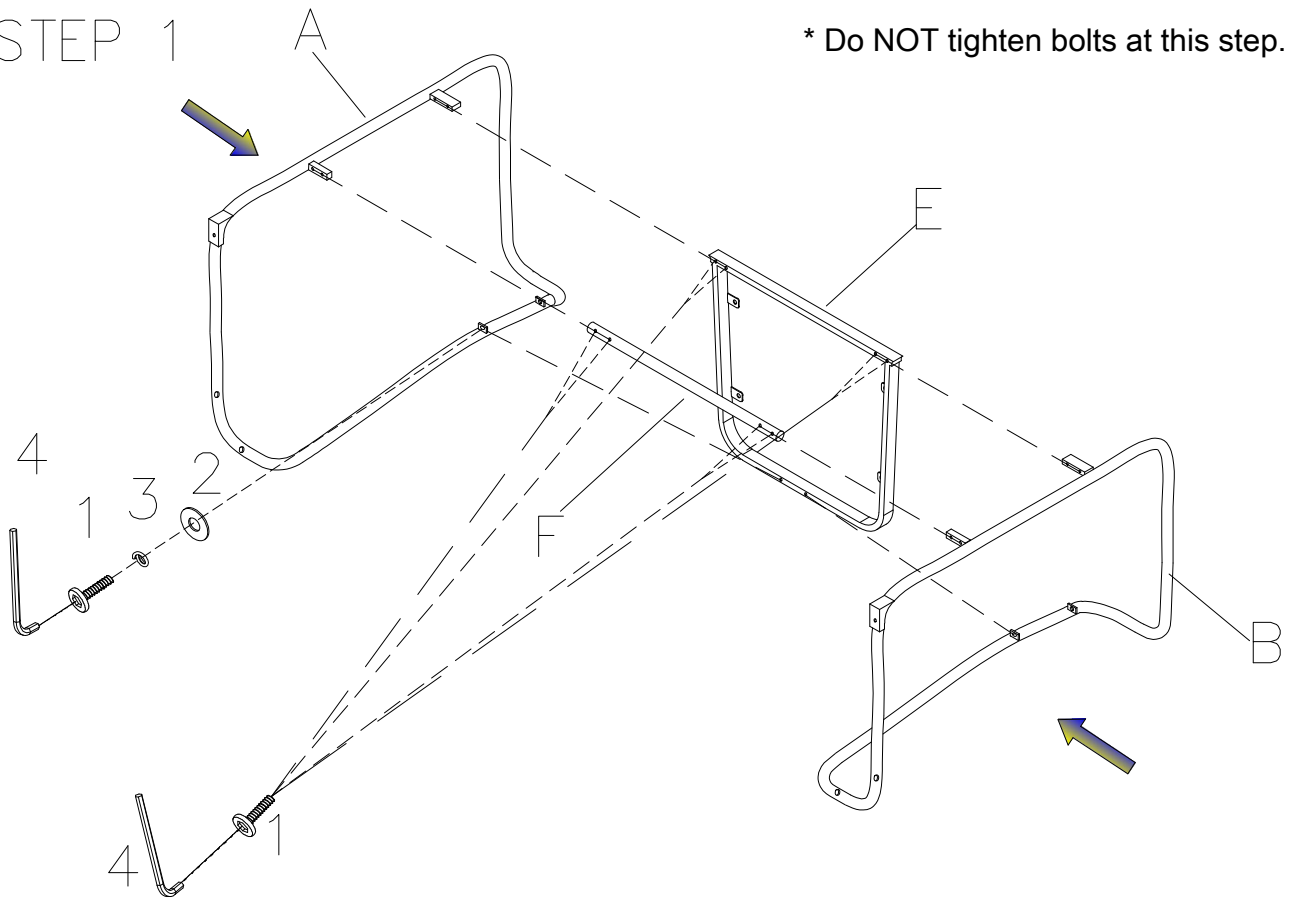
E



F

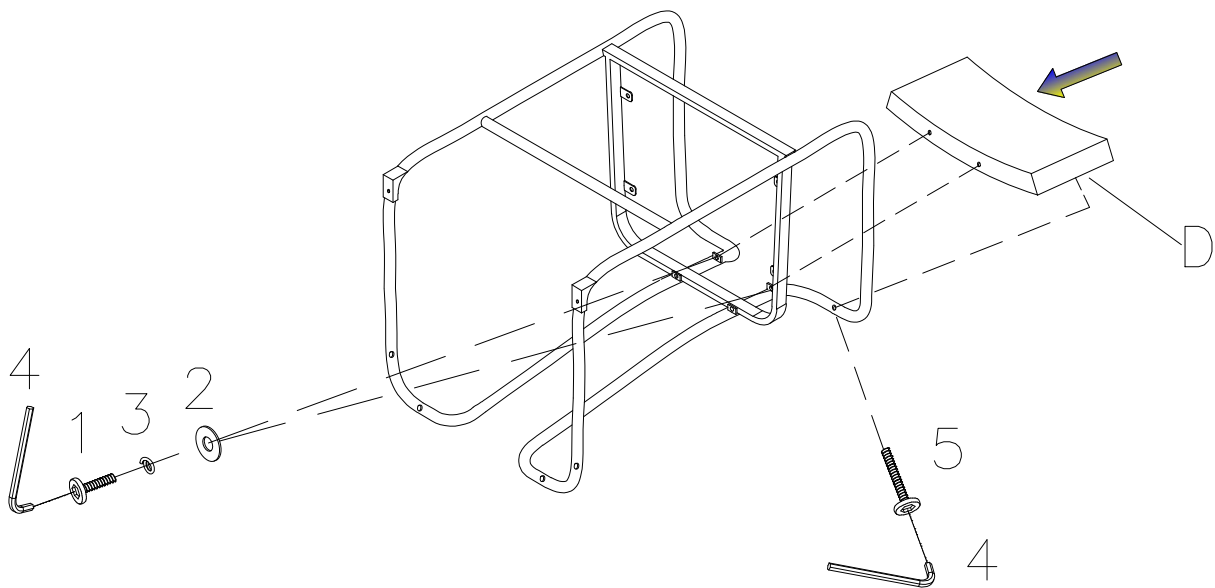
STEP 1

\* Do NOT tighten bolts at this step.



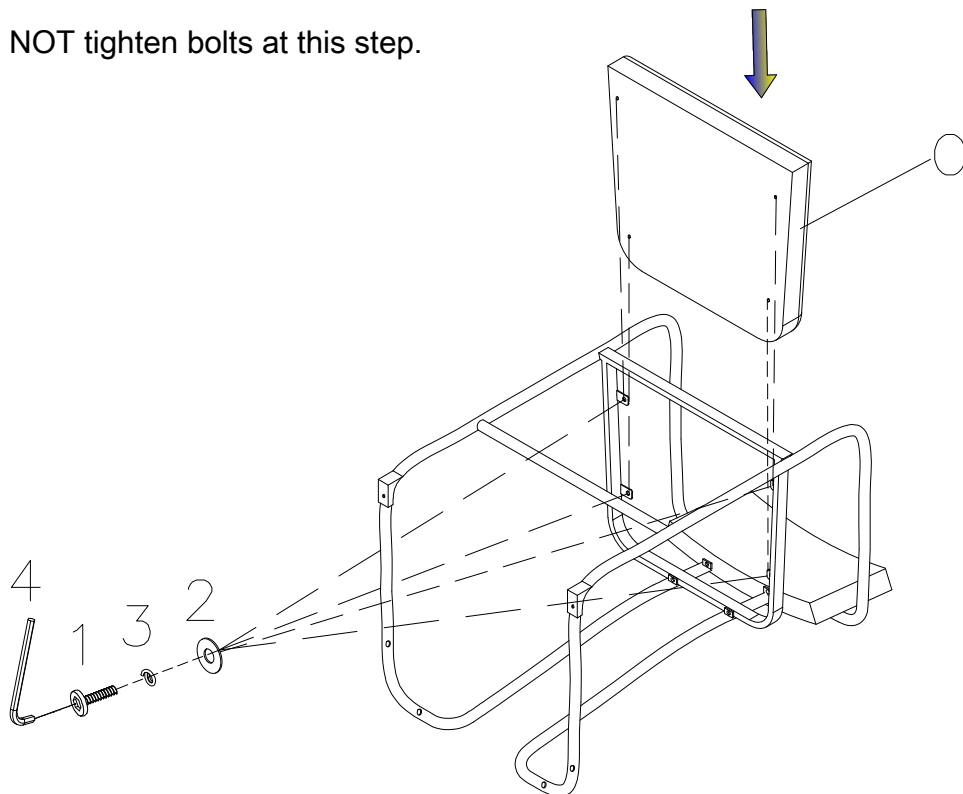
STEP 2

\* Do NOT tighten bolts at this step.



## STEP 3

\* Do NOT tighten bolts at this step.



## STEP 4

\* Flip over and tighten all bolts.

