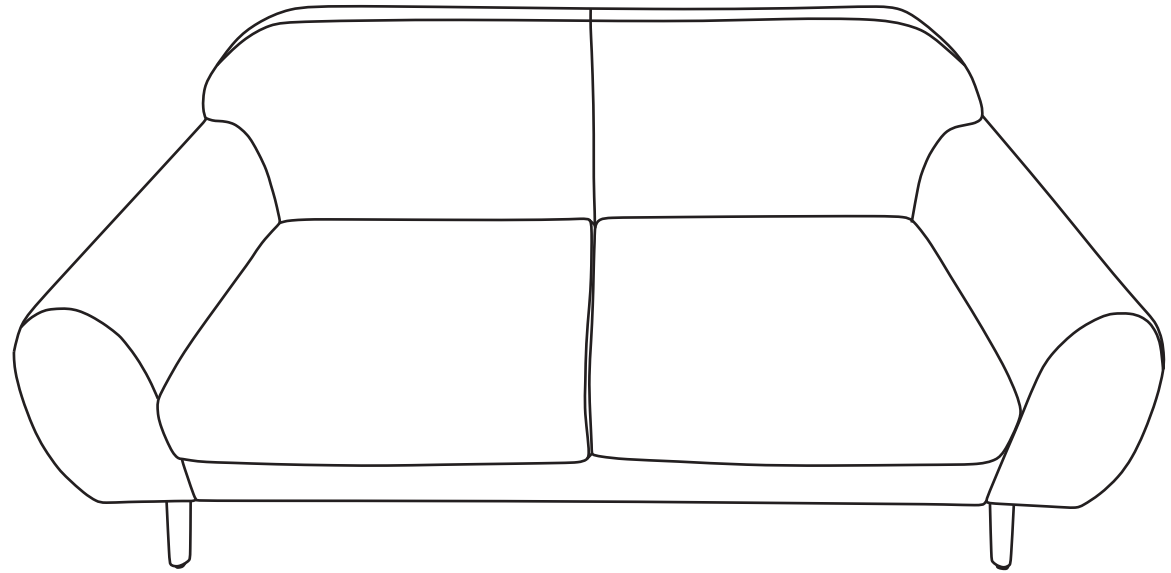


# Instruction Manual




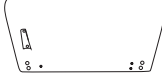


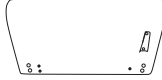


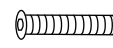



## User Guide

### Make life better

Warm tips: We are proud of high-quality products and satisfactory service, but the goods may encounter special circumstances during transportation, if you receive the goods with missing or damaged parts, please take photos and contact our customer service before returning the goods, we will customize a solution that satisfies you, thank you.



# Instruction

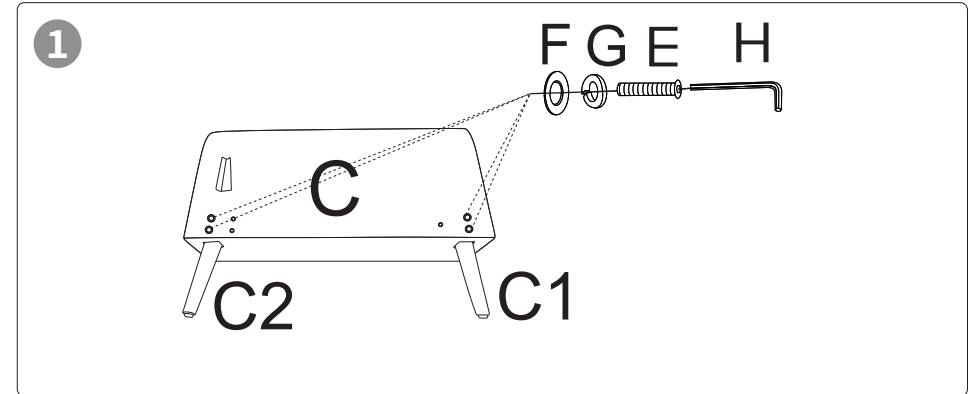
NO	DESCRIPTION				QTY	
A	Backrest				1	
B	Seat frame				1	
B1	Cushion				2	
C	Left handrail				1	
C1	Front leg		1	C2 Hind leg		1
D	Right handrail				1	
D1	Front leg		1	D2 Hind leg		1
E	Screw	$\phi 5/16$ "*2"L			16	
F	Flat Washer	$\phi 5/16$ "*22mm			16	
G	Lock Washer	$\phi 5/16$ "			16	
H	Allen Wrench	$\phi 5$ mm			1	

## Note:

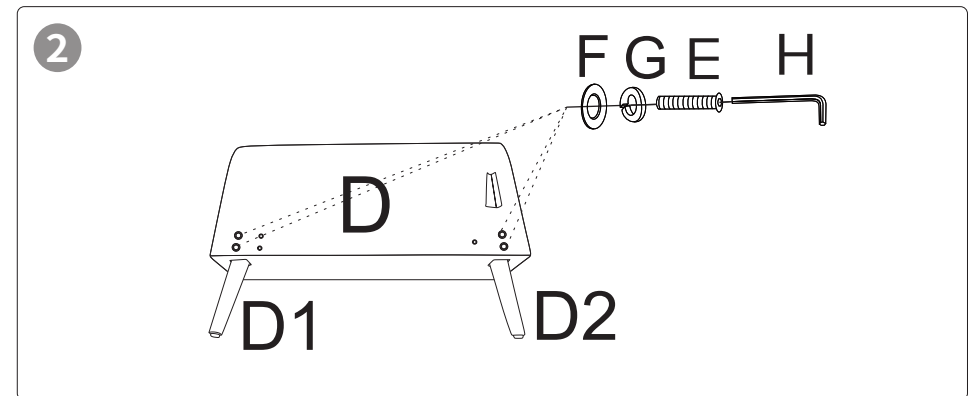
1. During the assembly process of a product, if you need to install multiple screws, you can first align all the screws with the holes, first rotate a few times to fix the positions of all the screws. and after all the screws are aligned with the holes, use a wrench to completely tighten in turn.

2. Flat washers and lock washers must be installed to prevent the screws from loosening and damaging the joints

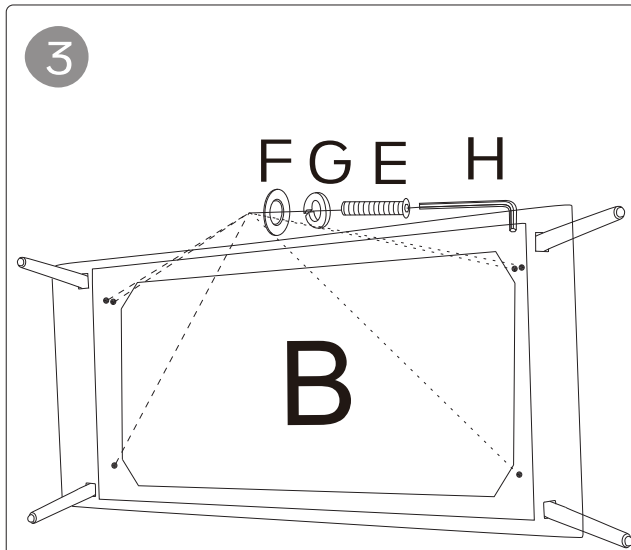
# Installation Method



1 Please install the legs marked C1 and C2 on the left armrest C as shown in the figure.

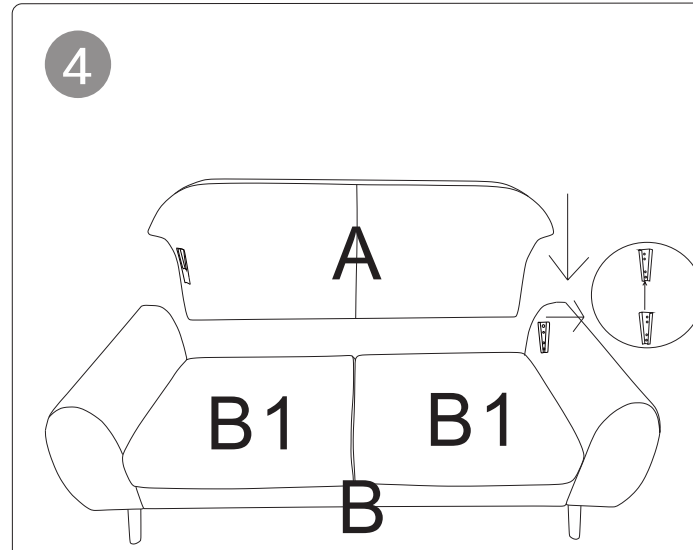


2 Install the legs marked D1 and D2 on the right armrest D as shown in the figure.



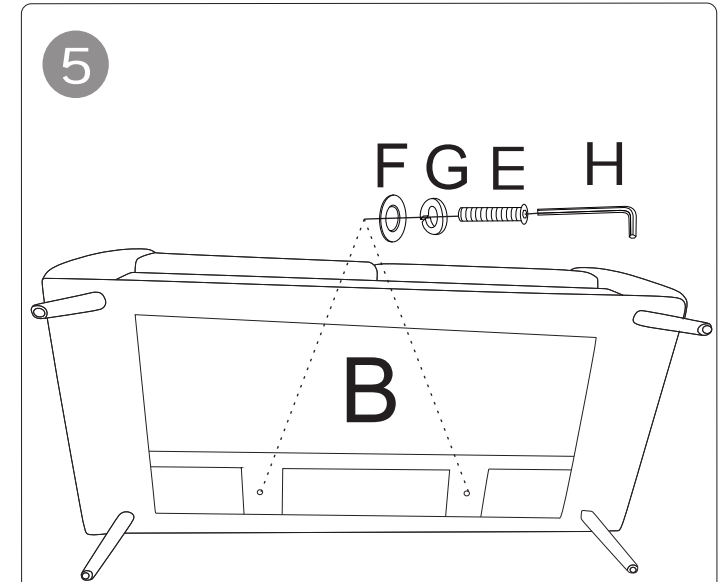
3

Connect the left and right armrests C and D to the seat frame B and tighten them with screws (F-G-E) as shown in the figure.



4

Align the backrest A with the seat frame B and install it, align the left and right metal parts to ensure that it is firmly in place.



5

Use parts (F-G-E) to tighten the 2 screws connecting the backrest and the bottom of the seat frame.

## Tips:

The cushion sponge is compressed. Please take the sponge out of the cushion cover first, open the compressed packaging and wait for the sponge to become fluffy again before putting it back into the cushion cover. (Refer to the picture for tips)

