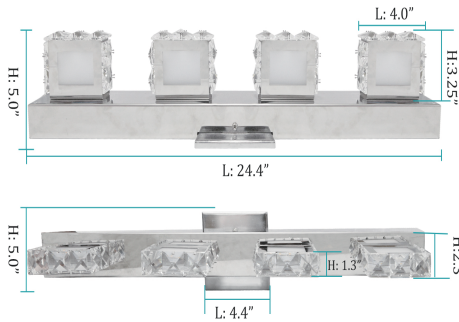


4-Light LED Vanity Light



- Aluminum frame in chrome finish
- Modern crystal design
- Energy-efficient LED chips
- 3000K warm white light
- 1300 Lumens of brightness
- Lifespan more than 50,000 hours



VLTLED2404-CH

Model

L 24.4" × H 5"

Size (inch)

26W

Power

120V

Voltage

Chrome

Finish

Technical support available at Monica@wayspride.com

LIMITED ONE YEAR WARRANTY

If within one (1) year from the date of purchase, the product fails due to a defect in material or workmanship, WaysPride LLC (Genesis Lighting) will repair or replace it free of charge.

WaysPride LLC will not be liable for incidental or consequential damages to purchases, or any other party.

For any loss, damage, injury or expense of any kind or nature caused directly or indirectly by the product or the failure of the product to operate properly.

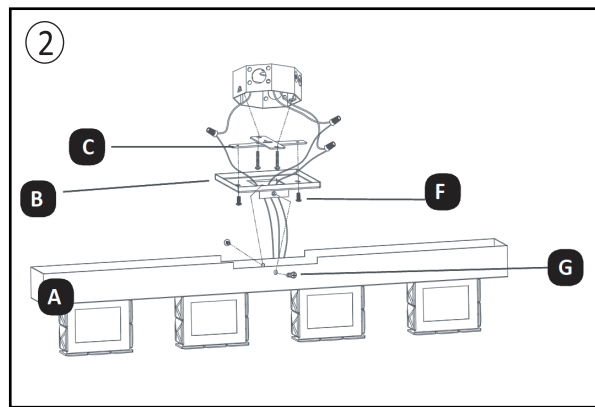
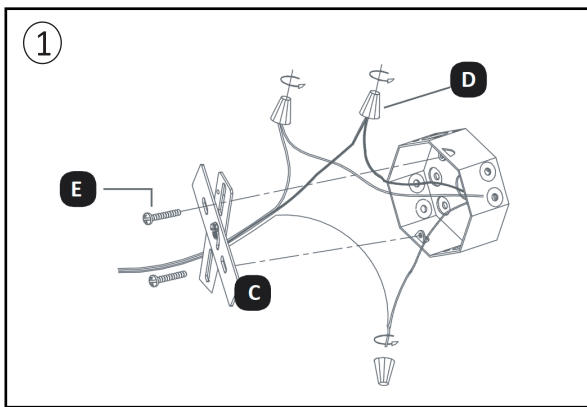
Warranty service is available by mailing postage prepaid to:

WaysPride LLC, 730 Dawson DR KH0158, Newark, Delaware, 19713 USA

A valid copy of the original invoice and return merchandise authorization (RMA) are required for all warranty services.

INSTALLATION STEPS:

1. Position the mounting bracket (C) at the center of the outlet box, aligning its holes with those in the junction box. Secure it firmly by tightening the outlet box screws (E).
2. Carefully extract the wires from the outlet box. Connect the black live wires (often marked as +) together using a wire connector (D). For enhanced safety, consider securing the connections with electrical tape. Repeat this procedure for the white neutral wires (typically marked as -) and the green ground wires. Ensure all connections are secure before neatly tucking the wires back into the outlet box.
3. Slide the canopy (B) over the mounting bracket (C) until it sits flush against the wall. Secure the canopy using the provided mounting screws (F). Align the holes in the vanity fixture (A) with those in the canopy (B), then securely attach them using screws (G).



WARNING:

**RISK OF PERSONAL INJURY PLEASE READ THESE INSTRUCTIONS CAREFULLY.
FOLLOW ALL INSTALLATION INSTRUCTIONS AND OBSERVE ALL WARNINGS.**

Make sure the "supply" voltage corresponds to the "rated" product voltage 120V 60Hz. Retain these instructions. Note: If you are an installer, please give these instructions to the property owner for future reference.

Risk of injury: Always wear the necessary safety equipment to prevent injuries while opening, handling, installing, and maintaining this product.

Risk of Fire: Always consult with a qualified electrician to ensure the correct branch circuit conductor is utilized.

Risk of electrical shock: This product must be installed in accordance with the applicable installation code by a professional familiar with the construction and operation of the product. The professional should also be aware of, and understand, the hazards involved with the installation of this product.