












Assembly Instructions

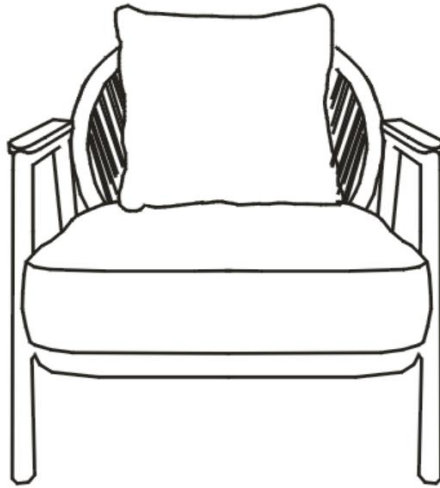
Caution : You must read this before you proceed

Care & Maintenance

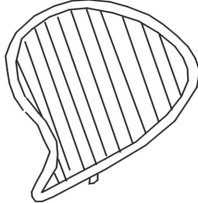


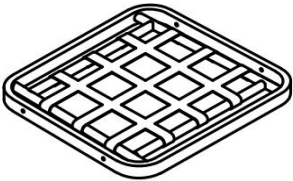

- ⊘  ● Not for commercial use. For residential use only.
- ⊘  ● Prolonged exposure to rain may cause rusting which can stain floors.
- ⊘  ● Do not put hot items directly on furniture surface.
- ⊘  ● Do not clean furniture with harsh cleansers or polish.
- ✓  ● To obtain the longest lifespan of your outdoor products, minimizing exposure to direct sunlight is recommended.
- ⊘  ● Children should not climb or jump on the furniture.
- ⊘  ● Do not write on furniture without a padded barrier to protect the surface.
- ✓  ● To obtain the longest lifespan of your outdoor products, avoid extended and lengthy exposure to rain, snow, and direct sunshine. Whenever possible cover the product and /or place under patio or awnings.
- ⊘  ● Stains may be removed with mild soap solution and damp cloth.
- ✓  ● Keep away from sources of ignition.
- ✓  ● Dust and pick-up spills using a clean, non-colored, lint-free cloth.

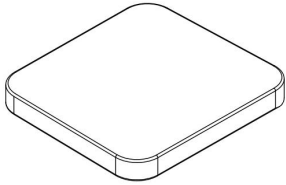
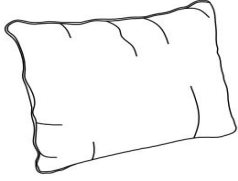
Please look in carton for hardware packs and legs.
Sets often ship in multiple boxes and may arrive a day or two apart.

Club Chair




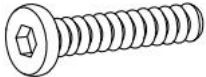



Parts List

Label	Picture	Description	QTY
A	 A line drawing of the backrest component, showing a curved shape with vertical slats and a small base.	Backrest	1
B	 A line drawing of the right armrest component, showing a curved shape with a horizontal top rail and a vertical support leg.	Right Armrest	1
C	 A line drawing of the left armrest component, showing a curved shape with a horizontal top rail and a vertical support leg.	Left Armrest	1
D	 A line drawing of the seat panel component, showing a rectangular shape with a grid-like pattern of slats.	Seat Panel	1
E	 A line drawing of the legs connection component, showing a curved metal rod with small circular ends.	Legs Connection	1

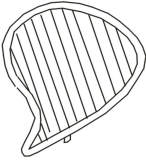


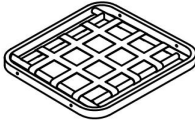

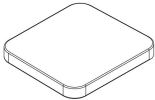





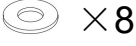
F		Cushion	1
G		Back Pillow	1

Hardware

Label	Picture	Description	QTY
①		Allen Wrench	1
②		Bolt (M6*16MM)	2
③		Bolt (M6*35MM)	5
④		Bolt (M6*45MM)	3
⑤		Washer	8

Assembly Preparation

Before Beginning Assembly:

				
(A)	(B)	(C)	(D)	(E)
				
(F)	(G)	①	②	③
				
④	⑤			



- Read instructions, cover to cover-



- Have 2 adults on hand for assembly-



- Do not assemble on flooring or carpet-



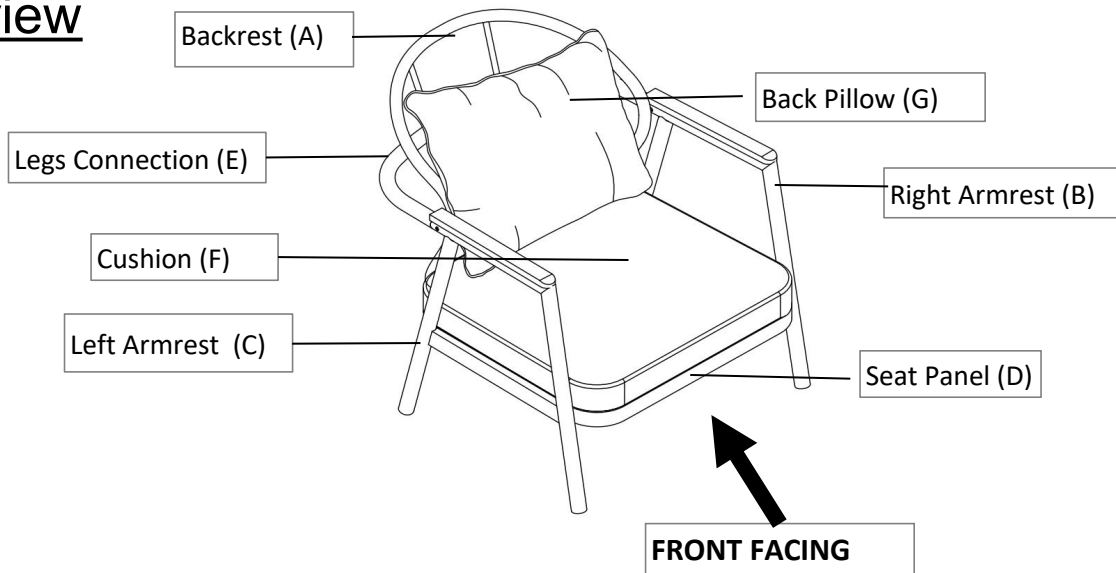
- Assemble on a clean non-marring surface (packing foam)-



- Save all packaging until finished-

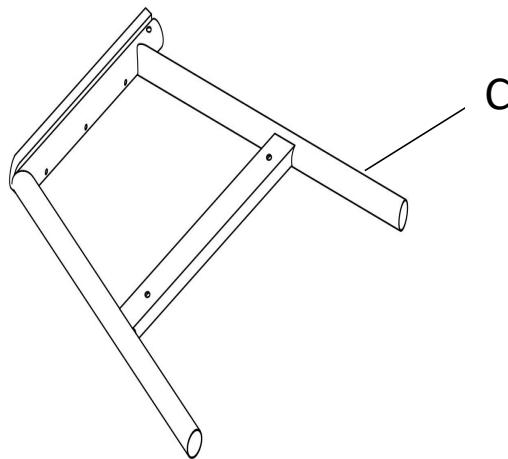
Assembly Steps

Overview



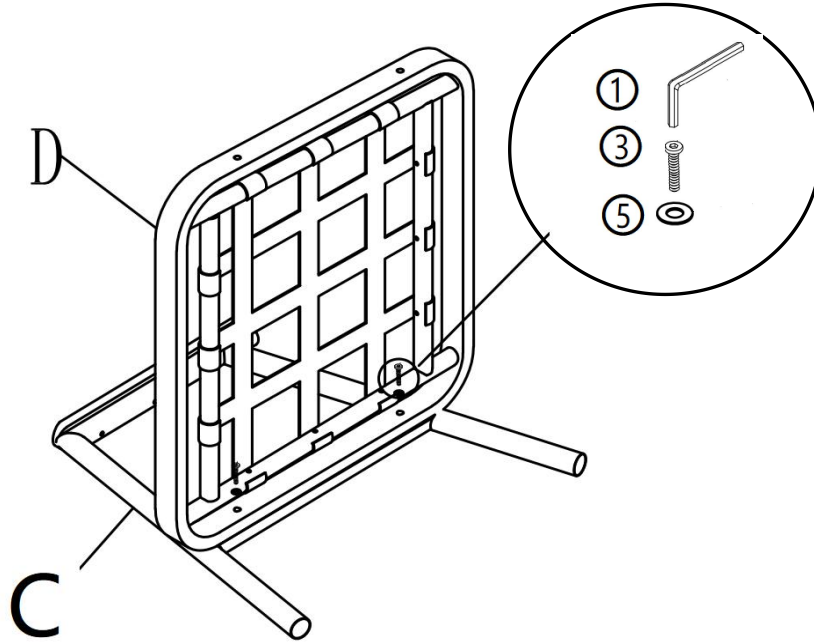
This Club Chair has multiple parts and may require up to 30 minutes to assemble. To give you an overview of the Club Chair parts, the above picture is to help you put the various parts into perspective. Please read through the instructions herebelow to familiarise yourself with the parts and steps before assembly.

Step 1



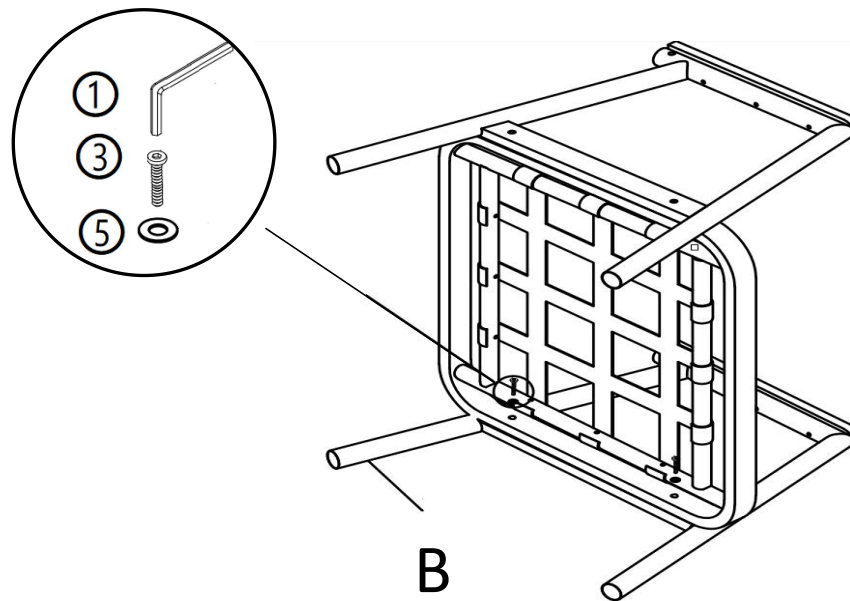
Open the carton and place all the parts onto a clean, non-marring surface. Place Left Armrest (C) on the ground, as shown in picture above.

Step 2



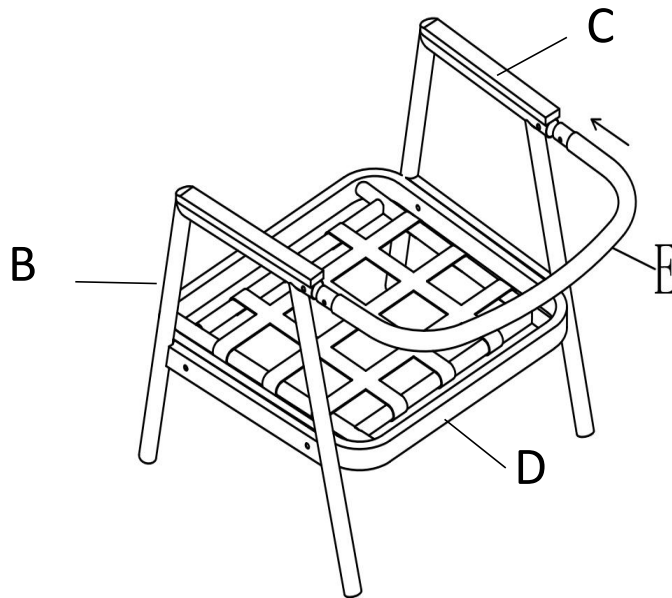
Attach Seat Panel(D) and to Left Armrest(C) using Bolts(3) and Washers(5) with Allen Wrench(1).
DO NOT FULLY TIGHTEN THE BOLTS.

Step 3



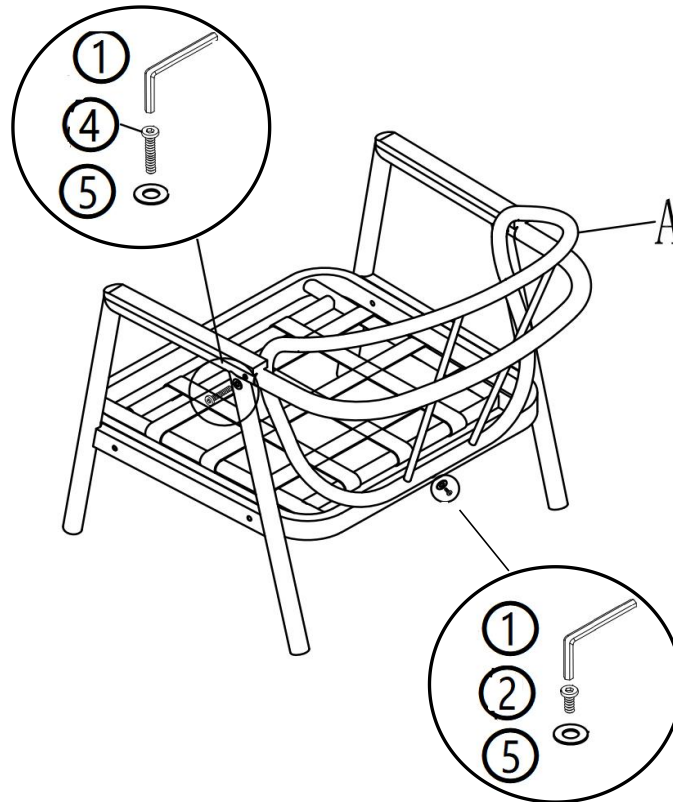
Turn over the part of step 2 with the assistance of your adult partner.
Repeat the step 2 to assemble the Right Armrest(B).
DO NOT FULLY TIGHTEN THE BOLTS.

Step 4



Stand the part from step 2, push the Legs Connection(E) in to the Armrests as shown above.

Step 5

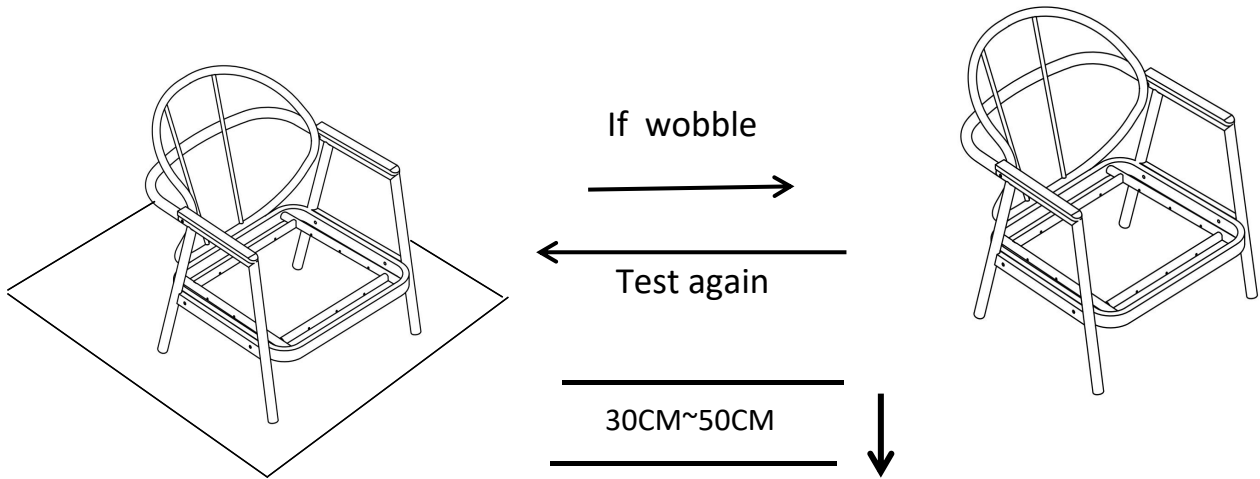


Attach the Backrest(A) to the partialy assembled Club Chair as shown above.

Using Bolts(④) and Washers(⑤) with Allen Wrench(①) to connect the Backrest(A) to the Right Armrest(B) and Left Armrest(C).

Using Bolts(②) and Washers(⑤) with Allen Wrench(①) to connect the Backrest(A) to Seat Panel (D).
DO NOT FULLY TIGHTEN THE BOLTS.

Step 6



Place the Club Chair on a **LEVEL SURFACE** to check for wobbles.

If it wobbles lift the Club Chair to some 30cm to 50cm height from the ground.

Keep your feet and toes well away from the drop zone.

Drop the Club Chair freely and vertically with the four legs, hitting the ground, all at the same time.

This Drop Test will help to ensure that all the bolts and gaps to all reach full alignment status.

Test again for evenness on a **LEVEL SURFACE**.

If no wobbles found, slowly and steadily turn the Club Chair upside down.

Then, proceed to tighten all bolts in a sequential manner.

CAUTION : When tightening these bolts, tighten sequentially.

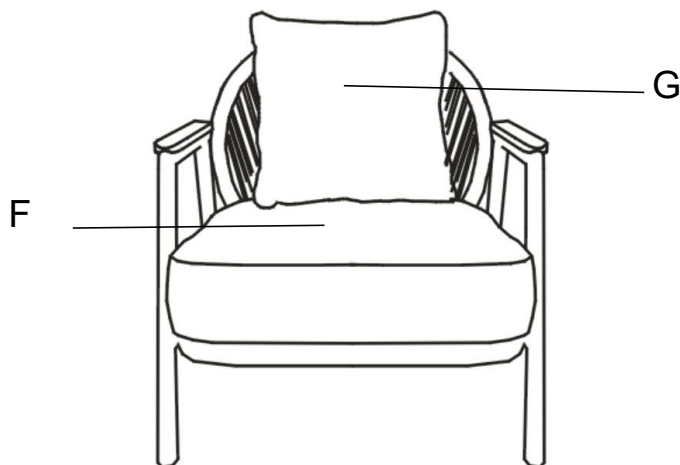
DO NOT tighten any screw fully and then towards the next one.

This would cause the frame to warp.

If there is still wobbles, loosen the bolts and execute this same drop tests.

WARNING!! IF Club Chair IS NOT STABLE, IT COULD LEAD TO DAMAGING THE PRODUCT.

Step 7



Place the Cushion (F) and Back Pillow(G)on the Seat Panel (D).

Your Club Chair is ready for Use.

This Club Chair can only be used on a flat, level surface.

Questions & Answers about Proposition 65

- What is Proposition 65?

Proposition 65 requires businesses to provide warnings to Californians about significant exposures to chemicals that cause cancer, birth defects or other reproductive harm. These chemicals can be in the products that Californians purchase, in their homes or workplaces, or that are released into the environment. By requiring that this information be provided, Proposition 65 enables Californians to make informed decisions about their exposures to these chemicals.

Proposition 65 also prohibits California businesses from knowingly discharging significant amounts of listed chemicals into sources of drinking water.

Proposition 65 requires California to publish a list of chemicals known to cause cancer, birth defects or other reproductive harm. This list, which must be updated at least once a year, has grown to include approximately 900 chemicals since it was first published in 1987.

- What types of chemicals are on the Proposition 65 list?

The list contains a wide range of naturally occurring and synthetic chemicals that include additives or ingredients in pesticides, common household products, food, drugs, dyes, or solvents. Listed chemicals may also be used in manufacturing and construction, or they may be byproducts of chemical processes, such as motor vehicle exhaust.

- What does a warning mean?

If a warning is placed on a product label or posted or distributed at a workplace, a business, or in rental housing, the business issuing the warning is aware or believes that it is exposing individuals to one or more listed chemicals.

By law, a warning must be given for listed chemicals unless the exposure is low enough to pose no significant risk of cancer or is significantly below levels observed to cause birth defects or other reproductive harm.

- Where can I get more information on Proposition 65?

If you have specific questions on the administration or implementation of Proposition 65, you can contact OEHHA's Proposition 65 program at P65.Questions@oehha.ca.gov, or by phone at (916) 445-6900.