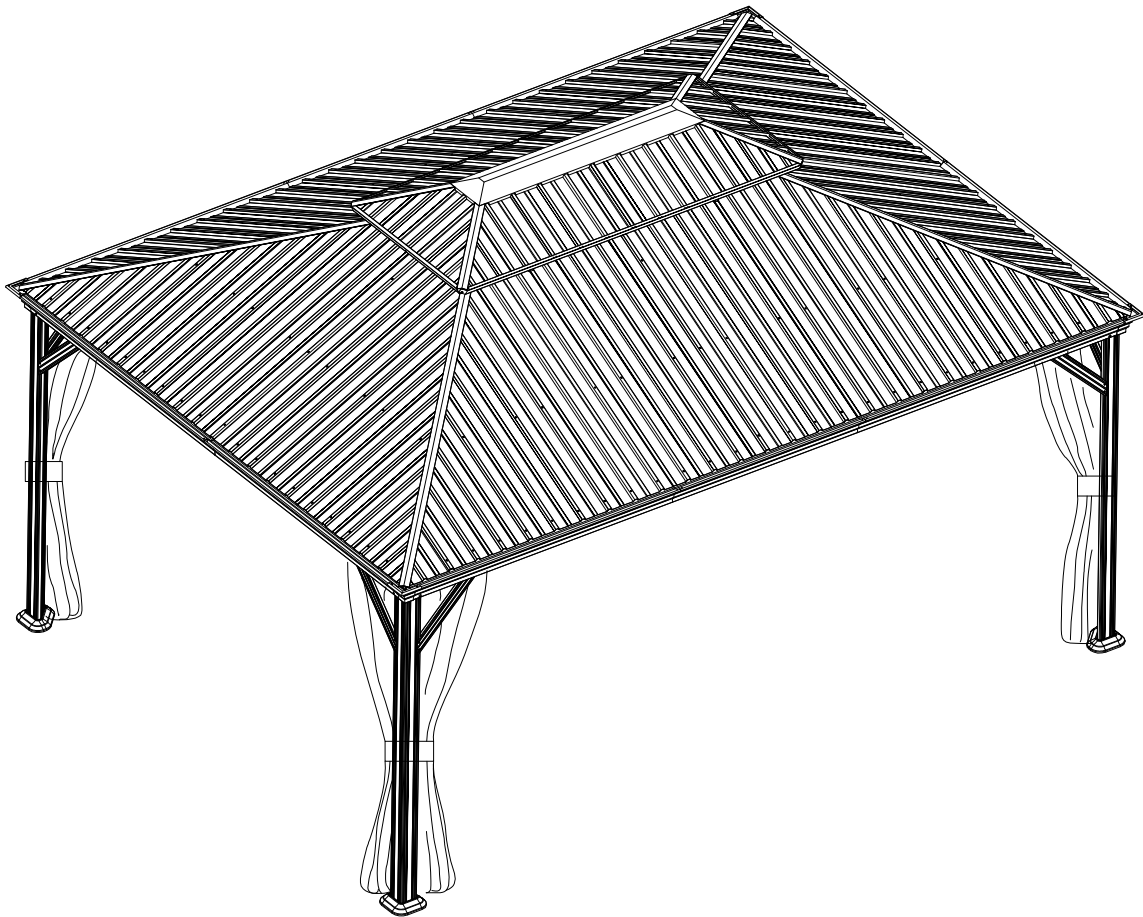




12'x16' Metal Patio Gazebo

ASSEMBLY MANUAL



MODEL#: LGMF1671

Missing part? Damaged? Contact us via email at

service@domioutdoorliving.com

www.domioutdoorliving.com

Pre-assembly



1. Two or more people are required for assembly.



2. You will need one or more stepladders.



3. Wearing protective gloves is recommended.



4. You may need a safety hat.



5. Please use a Phillips screw driver.



6. For ease of construction, you may need a drill.



7. You may need a safety goggle.



8. Do not fully tighten screws prior to complete assembly.

Warning & Attention

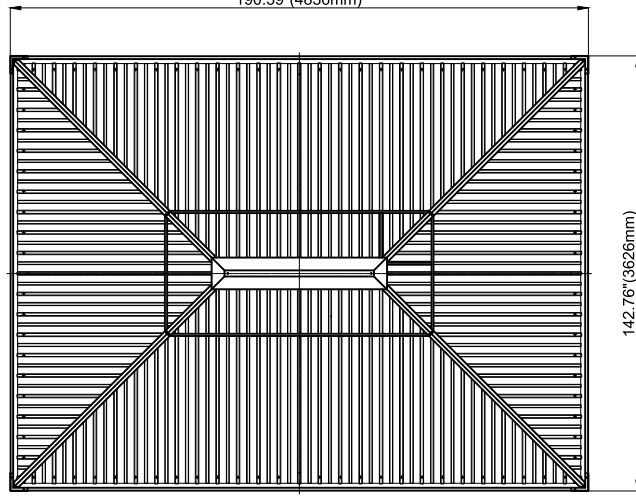
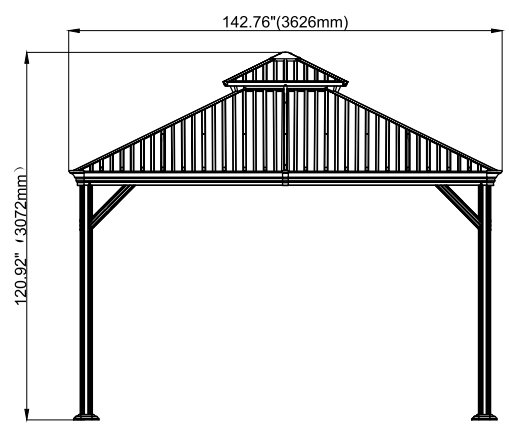
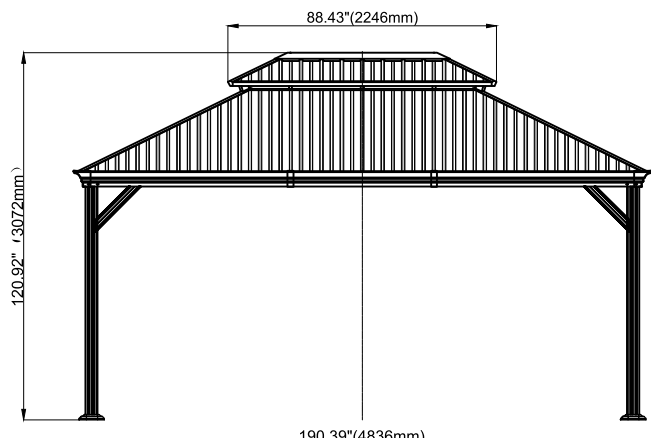
-Try to assemble this product on the flat ground, otherwise it is difficult to carry out;

-It would be much easier to assemble the product with three or more people;

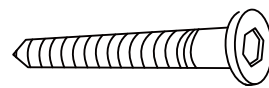
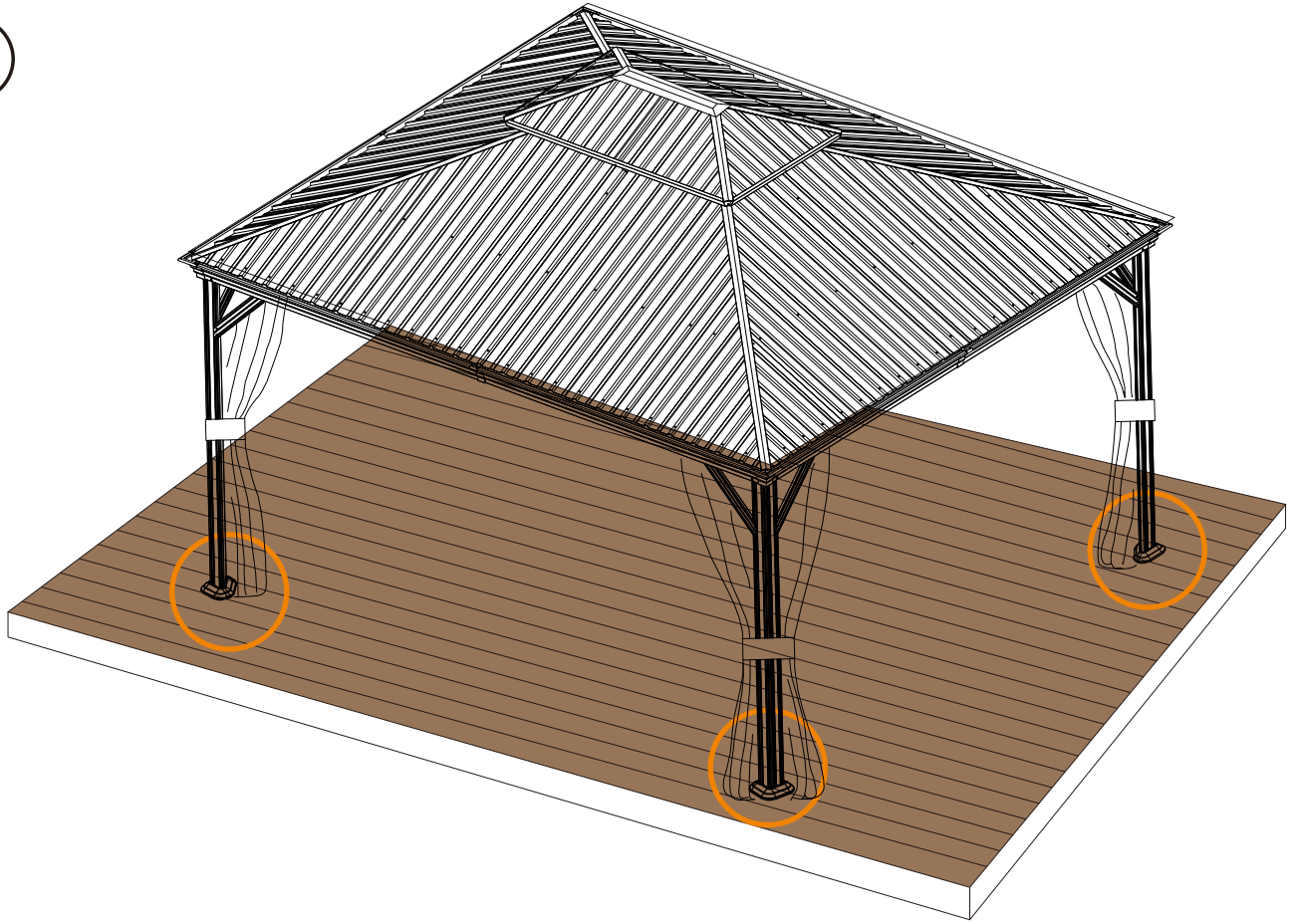
-After assembly, please check whether all screws are tightened, to prevent parts from falling apart.

▲ Use bolts to secure the frame to the ground to against the strong wind.

IMPORTANT: A gaze may entail to purchase a municipal permit or be subject to specific building codes. It is the consumer's responsibility to inform themselves of any restrictions.

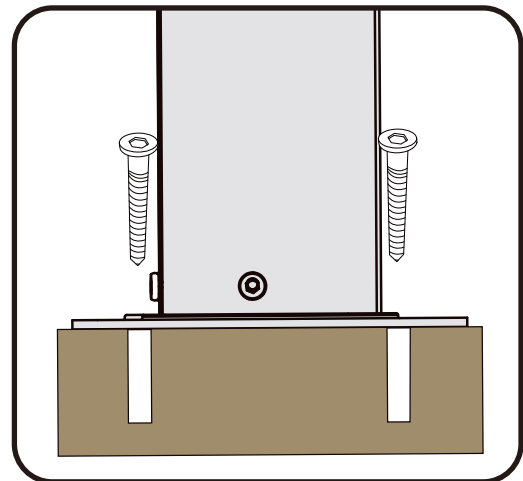
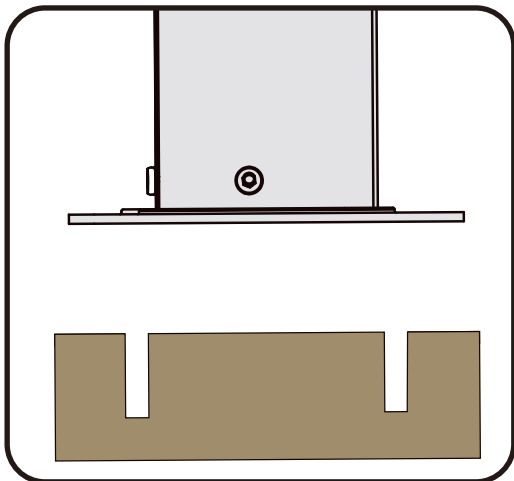


1

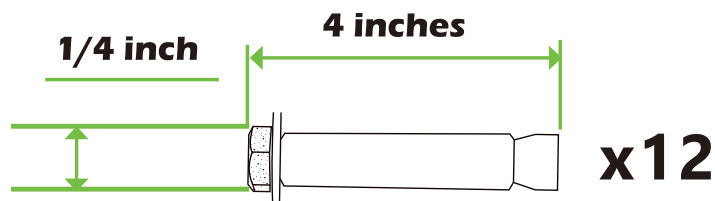
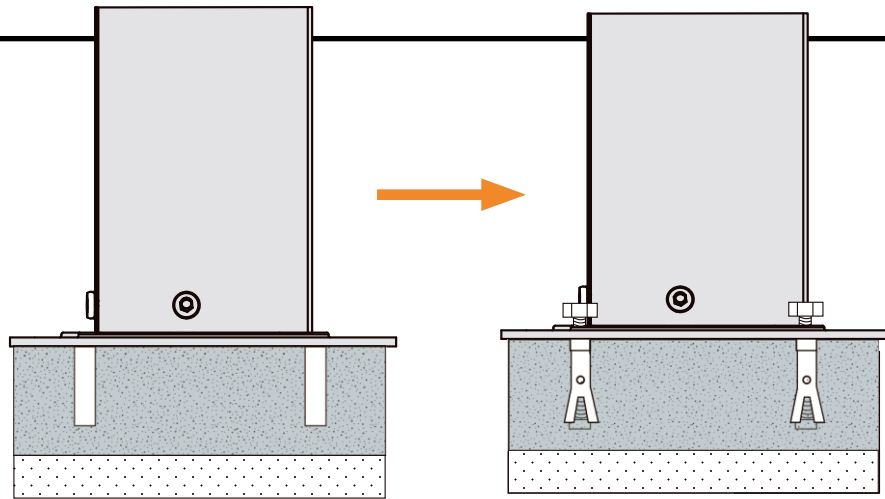


x12

If the deck is hard wood and the depth of it is over 3 inch, you can use **5/16 in. x4 in. Structural Wood Screw** to mount the gazebo.

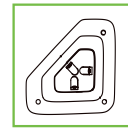
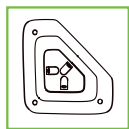


2



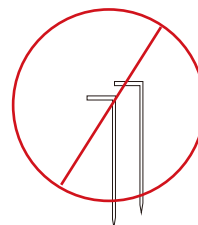
If the ground is concreted and the depth of it is over 3 inch, you can use 1/4 inch expansion bolts to mount the gazebo

3


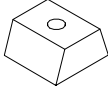
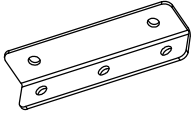




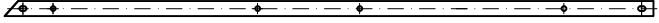
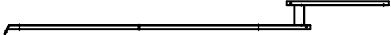
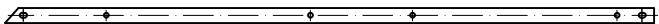

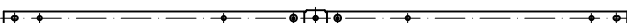
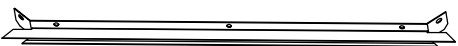
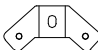

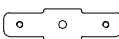
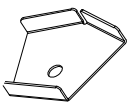
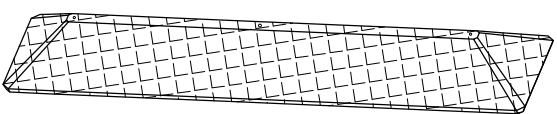



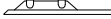

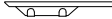


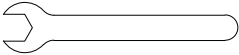
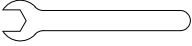

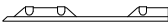

Or you can make a concrete footing for gazebo, **15×15×15 inches** is recommended. use expansion bolts to mount the pergola like ② shows.

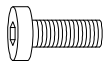
IMPORTANT:
Anchor is not recommended



 <p>Pole 2080MM A (x4)</p>	 <p>Outside Roof Cover 1465MM E (x1)</p>
 <p>Beam 1715MM C1 (x2)</p>	 <p>Union Bar 600MM E (x6)</p>
 <p>Beam 1715MM C2 (x2)</p>	 <p>Corner Cover F (x4)</p>
 <p>Beam 1715MM C3 (x2)</p>	 <p>Joint Cover G (x6)</p>
 <p>Beam 1715MM C4 (x2)</p>	 <p>Silicone Sealant H (x1)</p>
 <p>Beam 1200MM C5 (x2)</p>	 <p>Corner Solidifying Bar 578MM I1 (x4)</p>
 <p>Track 1583MM D (x4)</p>	 <p>Corner Solidifying Bar 578MM I2 (x4)</p>
 <p>Track 1583MM D1 (x4)</p>	 <p>Inside Roof Cover 1389MM J (x1)</p>
 <p>Track 1198MM D2 (x2)</p>	 <p>Base K (x4)</p>

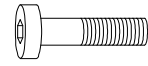
 <p>Base Cover</p> <p>K1 (x4)</p>	 <p>Black Rubber</p> <p>S (x136)</p>
 <p>Bracket</p> <p>K2 (x8)</p>	 <p>1021MM</p> <p>Finishing Bar</p> <p>T (x2)</p>
 <p>Corner Roof Tube Connector</p> <p>690MM</p> <p>M (x4)</p>	 <p>2220MM</p> <p>Finishing Bar</p> <p>T1 (x2)</p>
 <p>Corner Roof Tube</p> <p>2130MM</p> <p>M1 (x4)</p>	 <p>1085MM</p> <p>Solidfying Bar</p> <p>U (x4)</p>
 <p>Roof Tube</p> <p>1927MM</p> <p>N (x4)</p>	 <p>1085MM</p> <p>Solidfying Bar</p> <p>U1 (x4)</p>
 <p>Roof Tube</p> <p>1927MM</p> <p>N1 (x4)</p>	 <p>1158MM</p> <p>Solidfying Bar</p> <p>U2 (x2)</p>
 <p>Finishing Bar</p> <p>740MM</p> <p>P (x2)</p>	 <p>Bracket</p> <p>U3 (x4)</p>
 <p>Finishing Bar</p> <p>1940MM</p> <p>P1 (x2)</p>	 <p>Bracket</p> <p>U4 (x6)</p>
 <p>Finishing End</p> <p>Q (x8)</p>	 <p>Mesh</p> <p>O (x1)</p>

 <p>Plastic Bar 1800MM O1 (x2)</p>	 <p>Plastic Clips Z3 (x4)</p>
 <p>Plastic Bar 620MM O2 (x2)</p>	 <p>Plastic Clips Z4 (x4)</p>
 <p>Hooks R1 (x3)</p>	
 <p>x1</p>	
 <p>x1</p>	
 <p>x1</p>	
 <p>Plastic Clips Z (x72)</p>	
 <p>Plastic Clips Z1 (x4)</p>	
 <p>Plastic Clips Z2 (x4)</p>	



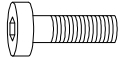
M6x16

1#
x242



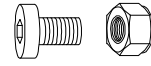
M6x25

10#
x4



M6x20

2#
x24

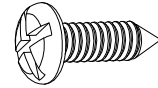


M6x12

11#
x12

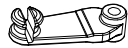


3#
x16

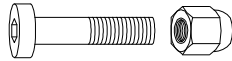


ST6.3*15

12#
x4

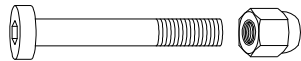


4#
x128



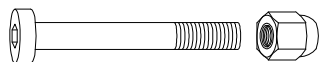
M6x28

5#
x84



M6x45

6#
x8



M6x50

7#
x40



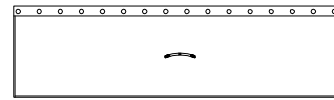
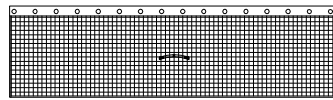
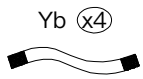
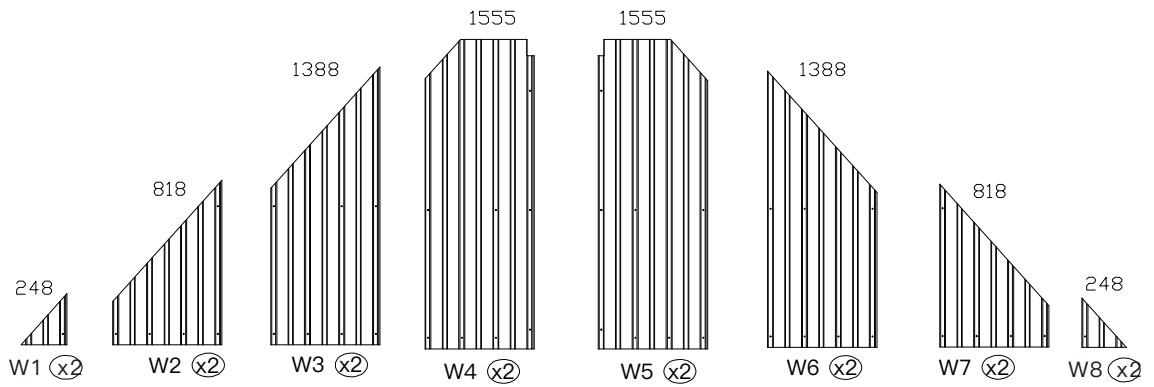
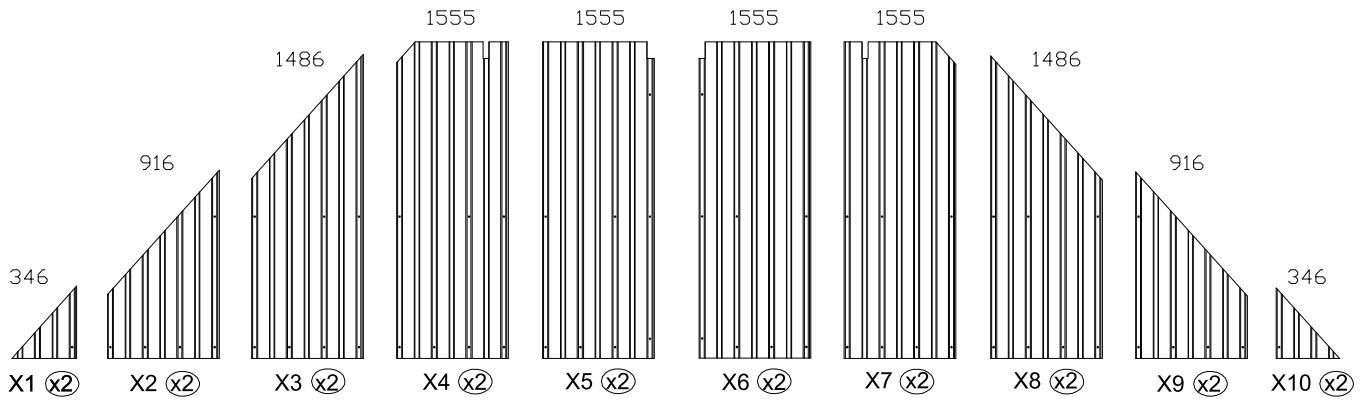
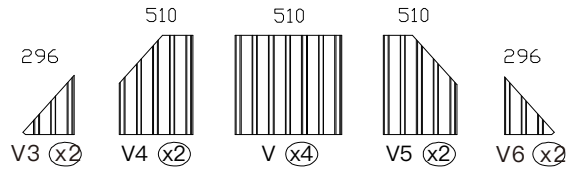
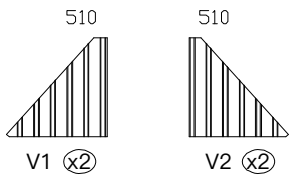
M5x16

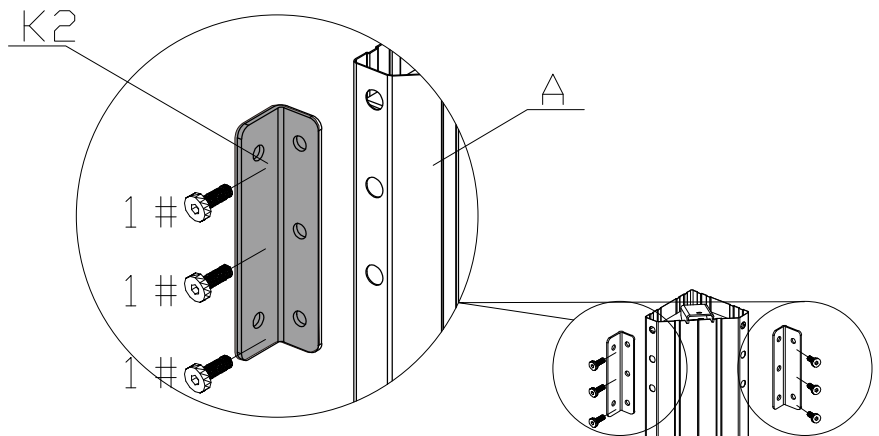
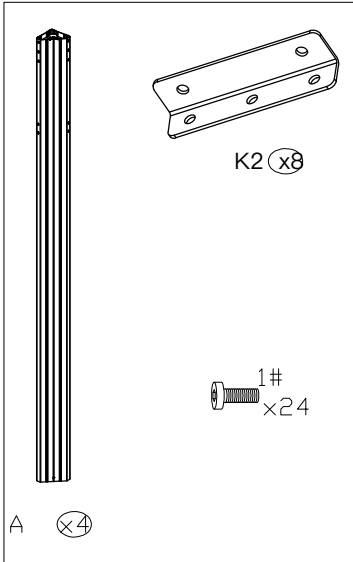
8#
x6



ST4.8x13

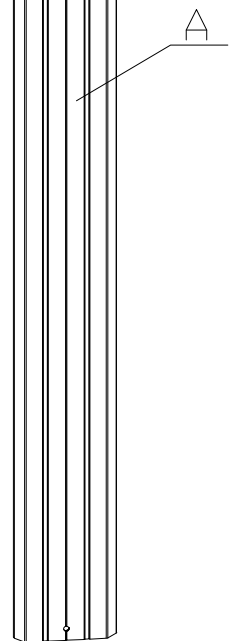
9#
x28





(1) Attach 2 Part #K2 to Part #A with 6 Bolts #1.
Repeat the above procedures to assemble the
other 3 Poles.

X4

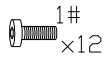




K (x4)



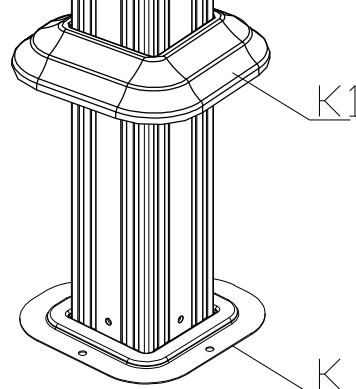
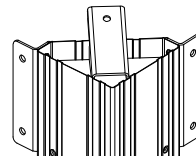
K1 (x4)



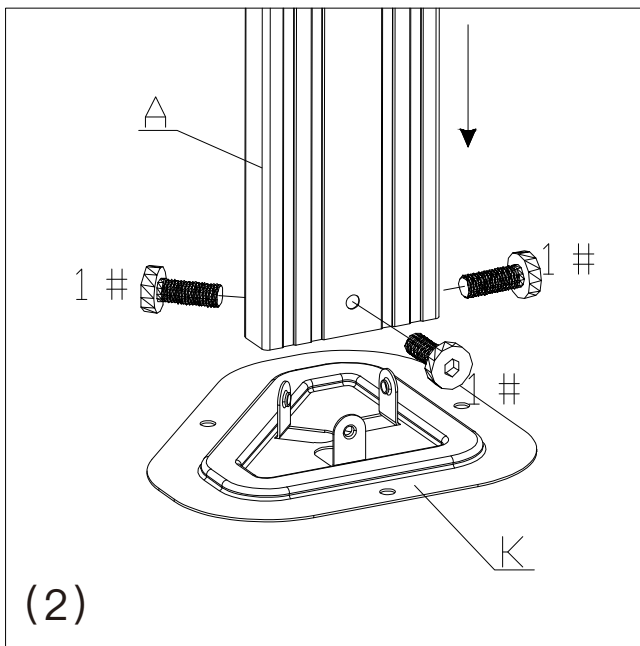
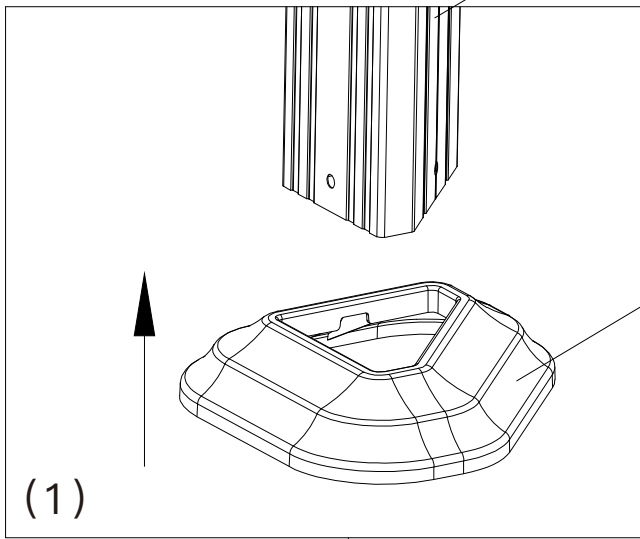
1#
x12

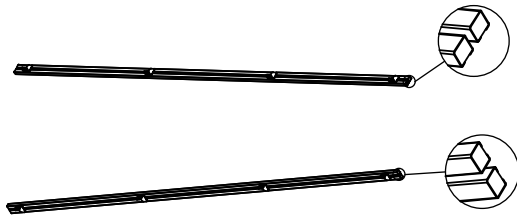
(1) Put on Base Cover #K1 first;

(2) Attach Base #K to Pole #A with 3 Bolts #1.



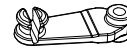
X4





D x2

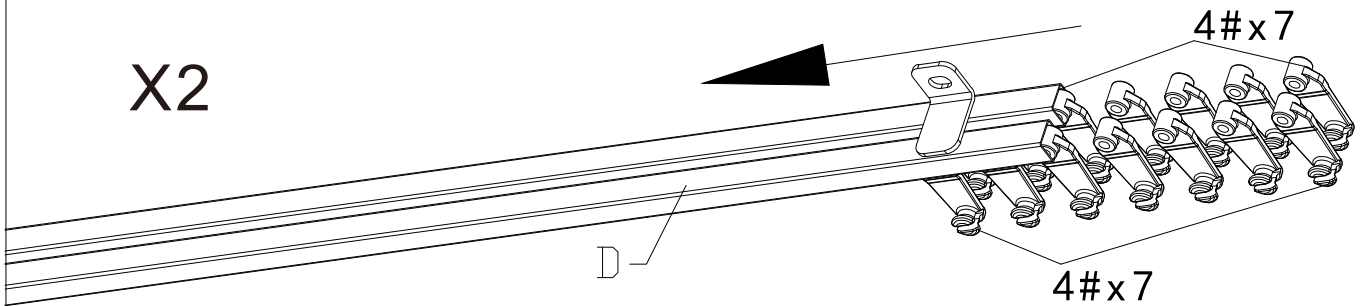
D1 x2



4#
x56

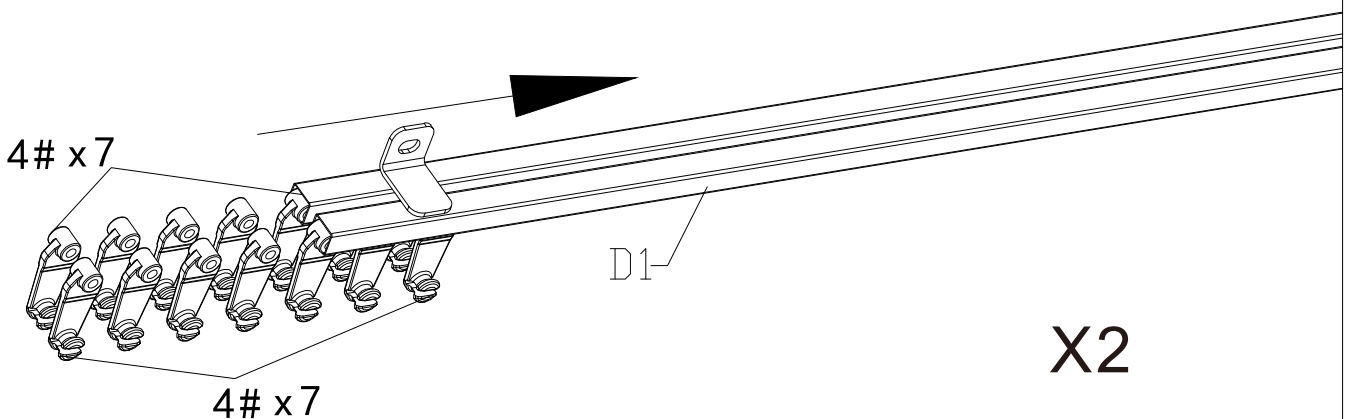
(1) Slide the Plastic Hooks #4 to the double-rail track #D (each slot should slide 7 plastic hooks).

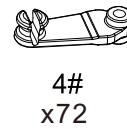
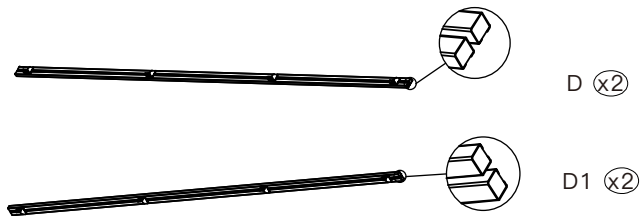
(2) Repeat the above procedures for the other track D.



(1) Slide the Plastic Hooks #4 to the double-rail track #D1 (each slot should slide 7 plastic hooks).

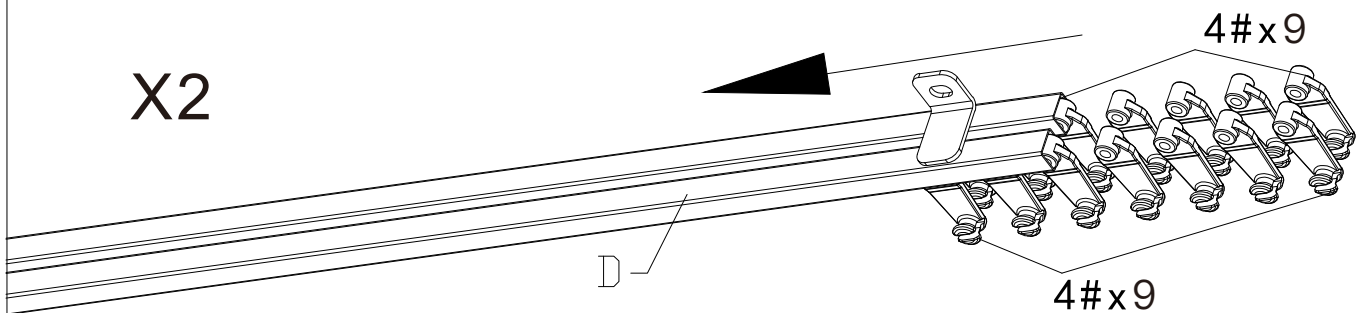
(2) Repeat the above procedures for the other track D1.





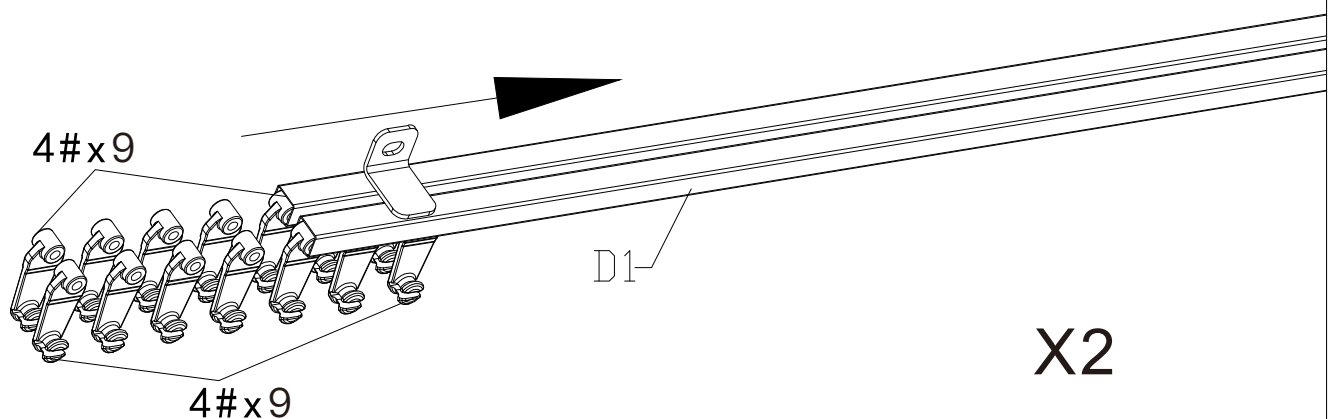
(1) Slide the Plastic Hooks #4 to the double-rail track #D (each slot should slide 9 plastic hooks).

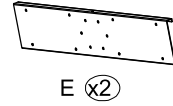
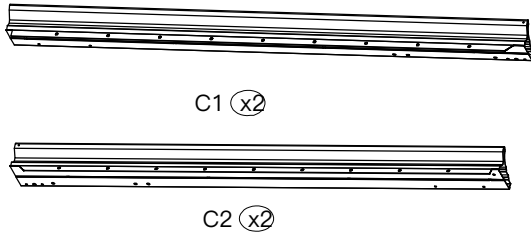
(2) Repeat the above procedures for the other track D.



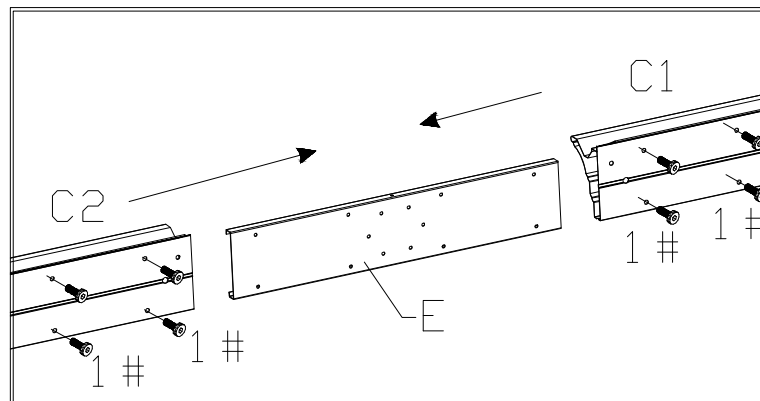
(1) Slide the Plastic Hooks #4 to the double-rail track #D1 (each slot should slide 9 plastic hooks).

(2) Repeat the above procedures for the other track D1.



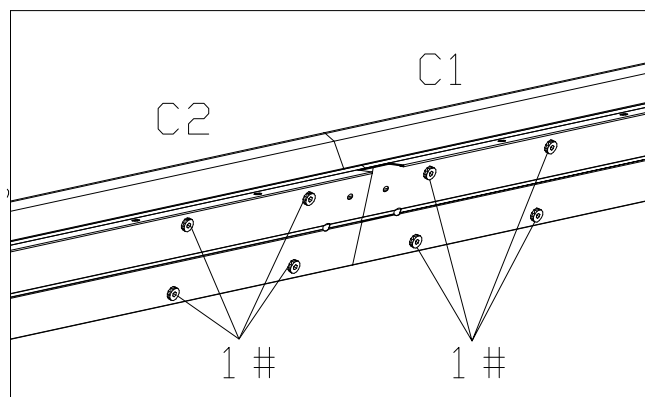


BEAM ASSEMBLY

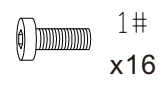
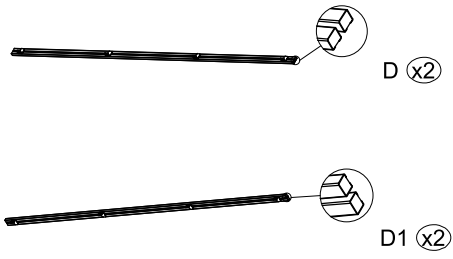


- (1) Insert Part #E into Part #C2, and secure with 4 Bolts #1.
- (2) Insert the other side of Part #E into Part #C1 and secure with 4 Bolts #1.

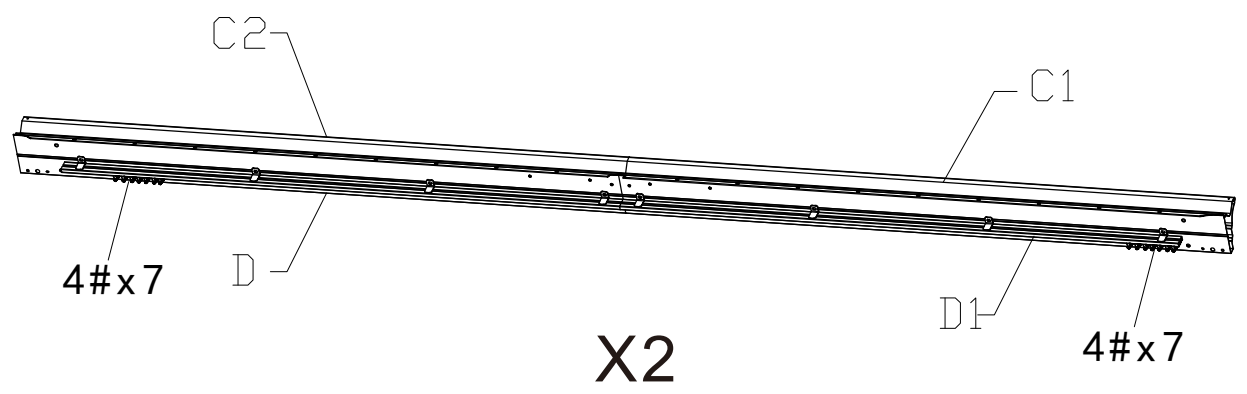
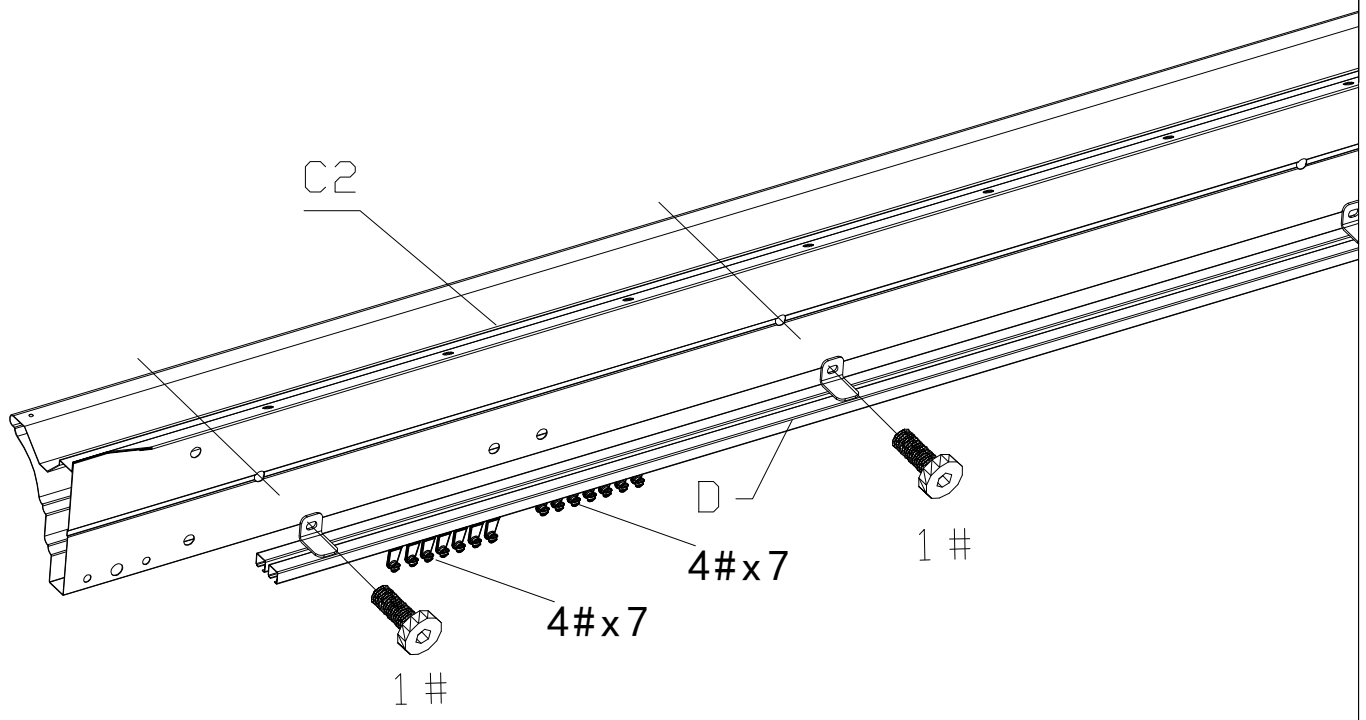
Repeat the above procedures to assemble the other Part #C2 and #C1.

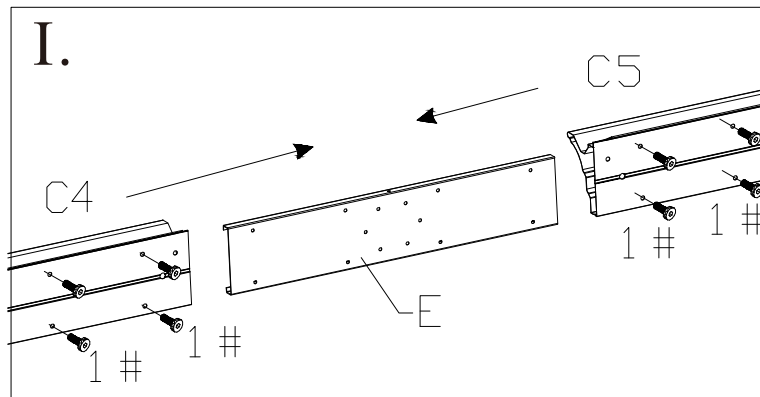
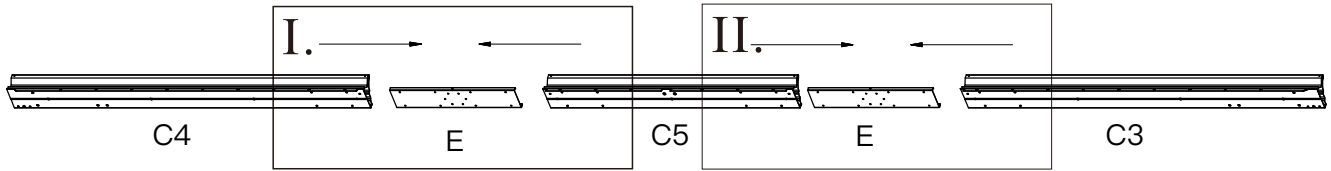
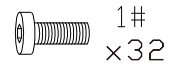
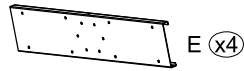
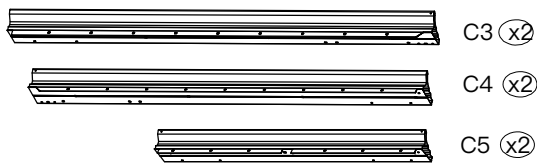


TIPS: It's a normal situation that there's a gap between the 2 beams, please use silicone sealant (part #H) and Joint Cover #G to affix the gap.(see P12)

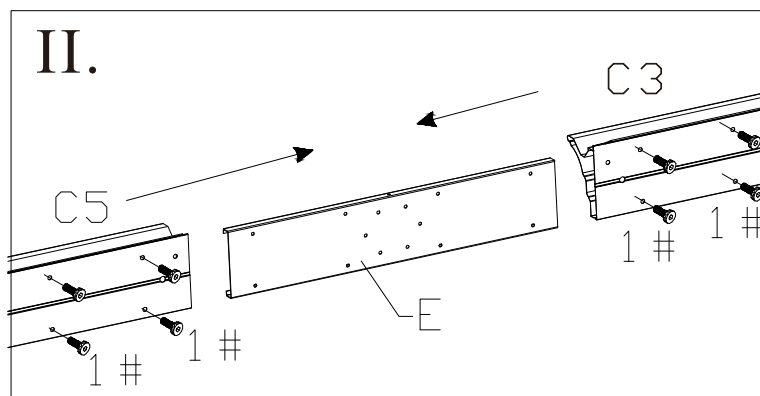


(1) Use 8 Bolts #1 to fix the track D & D1 to the beam C2 & C1.
Repeat the above procedures for another beam C2 & C1.



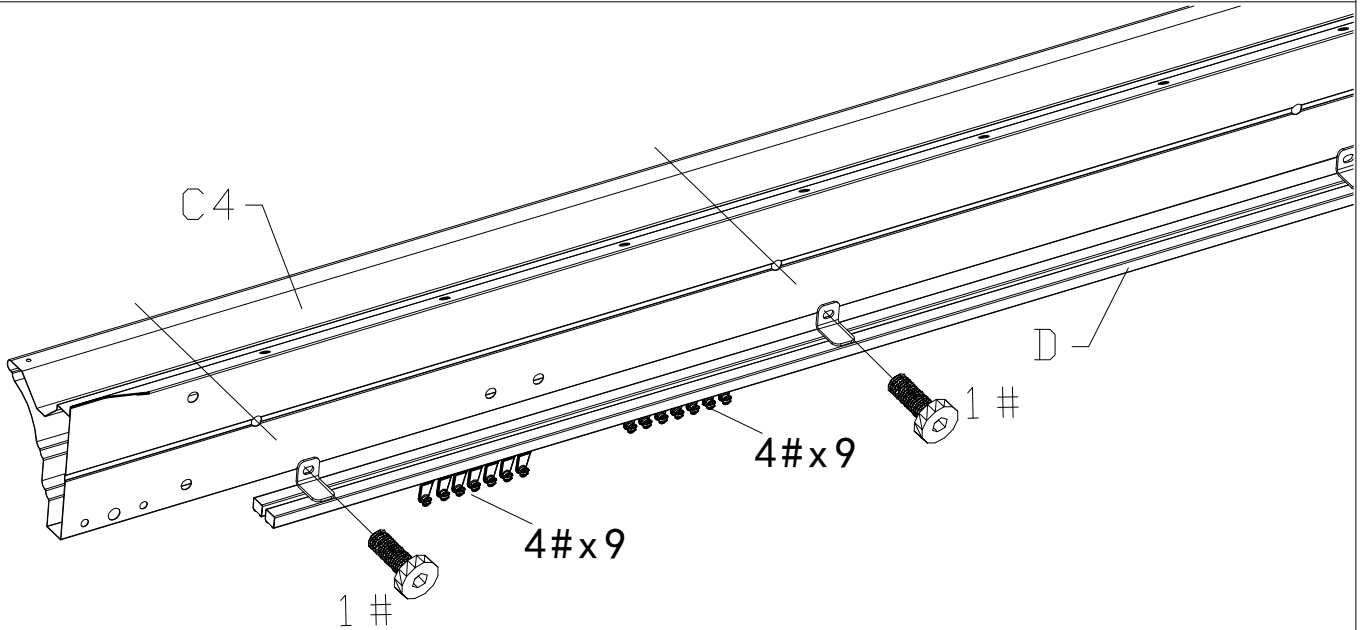
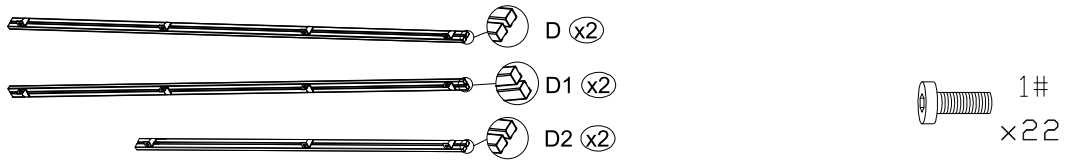


- (1) Insert Part #E into Part #C4, and secure with 4 Bolts #1.
- (2) Insert the other side of Part #E into Part #C5 and secure with 4 Bolts #1.



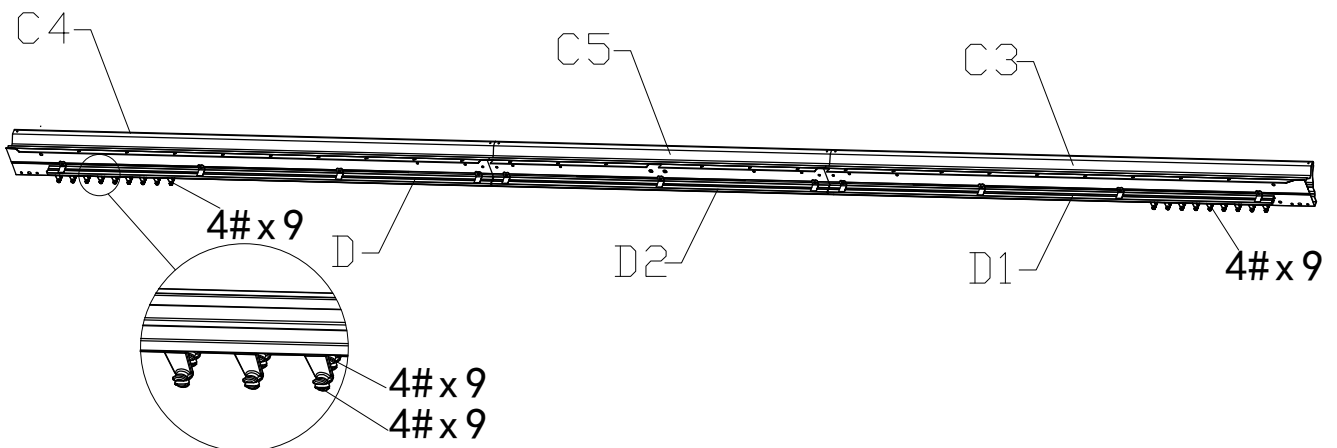
- (3) Insert Part #E into Part #C3, and secure with 4 Bolts #1.
- (4) Insert the other side of Part #E into Part #C5 and secure with 4 Bolts #1.

Repeat the above procedures to assemble another Part #C4, C5 & C3.



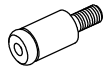
(1) Use 11 Bolts #1 to fix the track D ,D3,D2& D1 to the beam C4,C5 & C3.

Repeat the above procedures for another beam C4, C5 & C3.



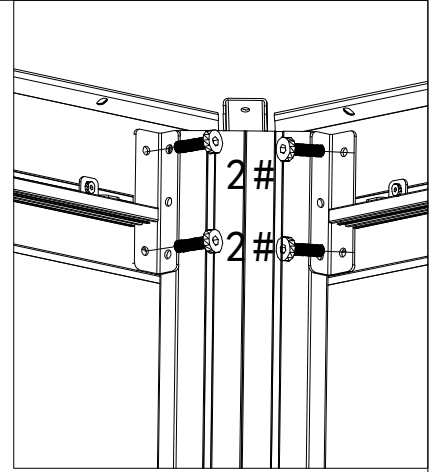


2#
x16

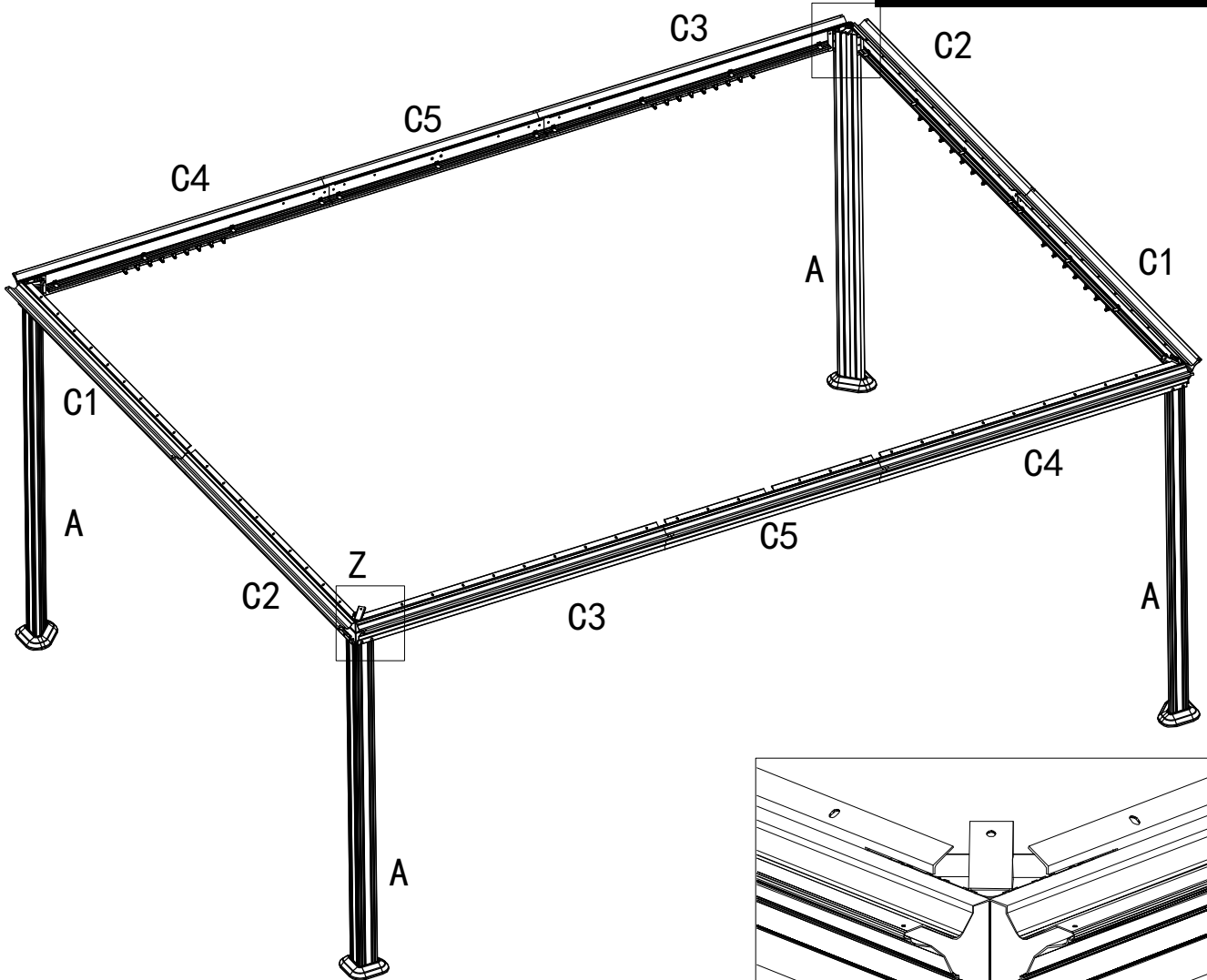


3#
x16

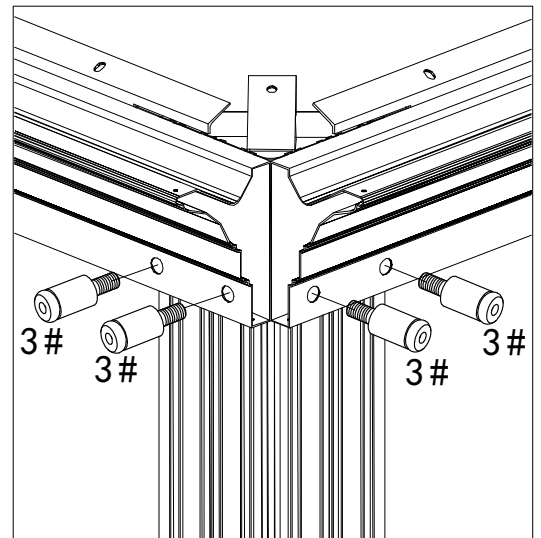
FRAME ASSEMBLY:



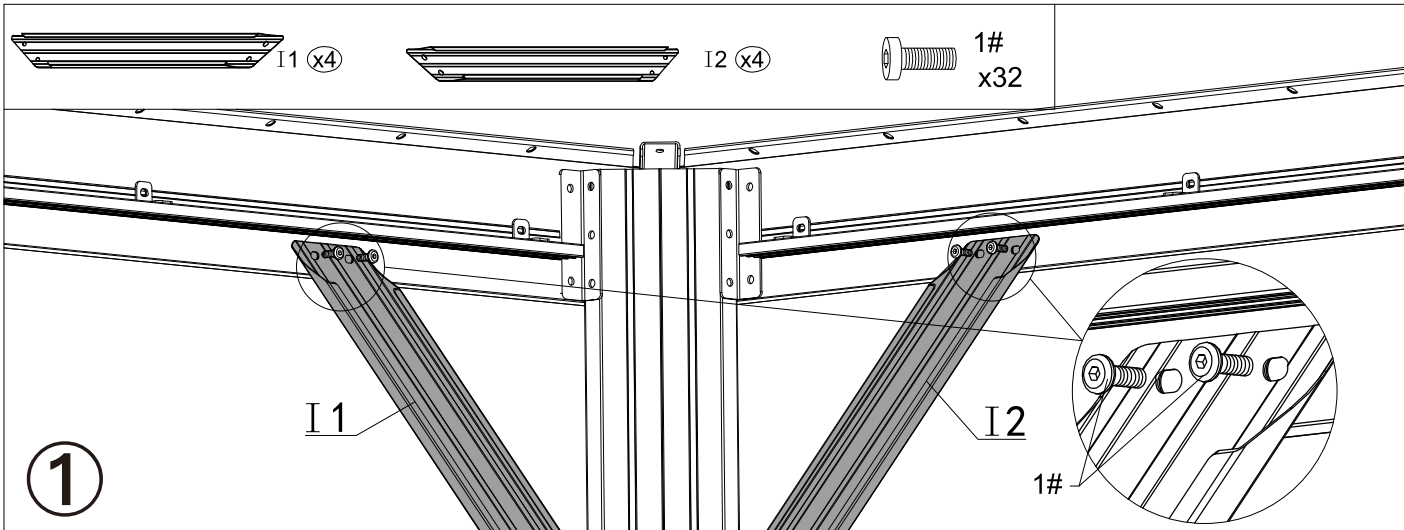
Inside View



Please don't tighten
all bolts.

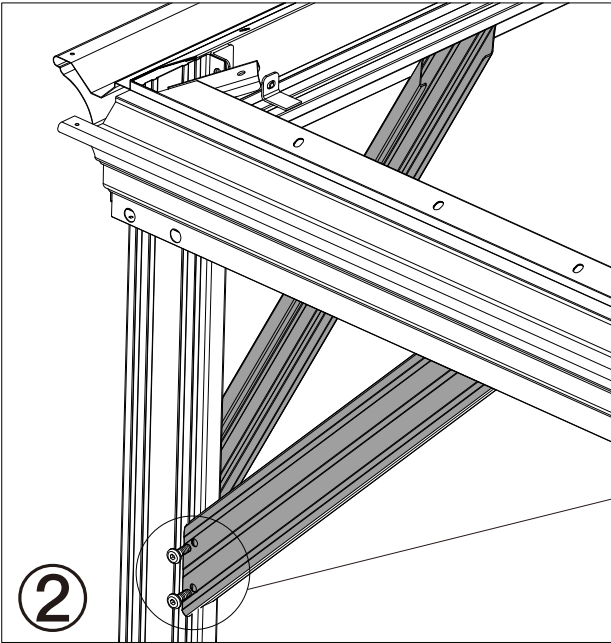
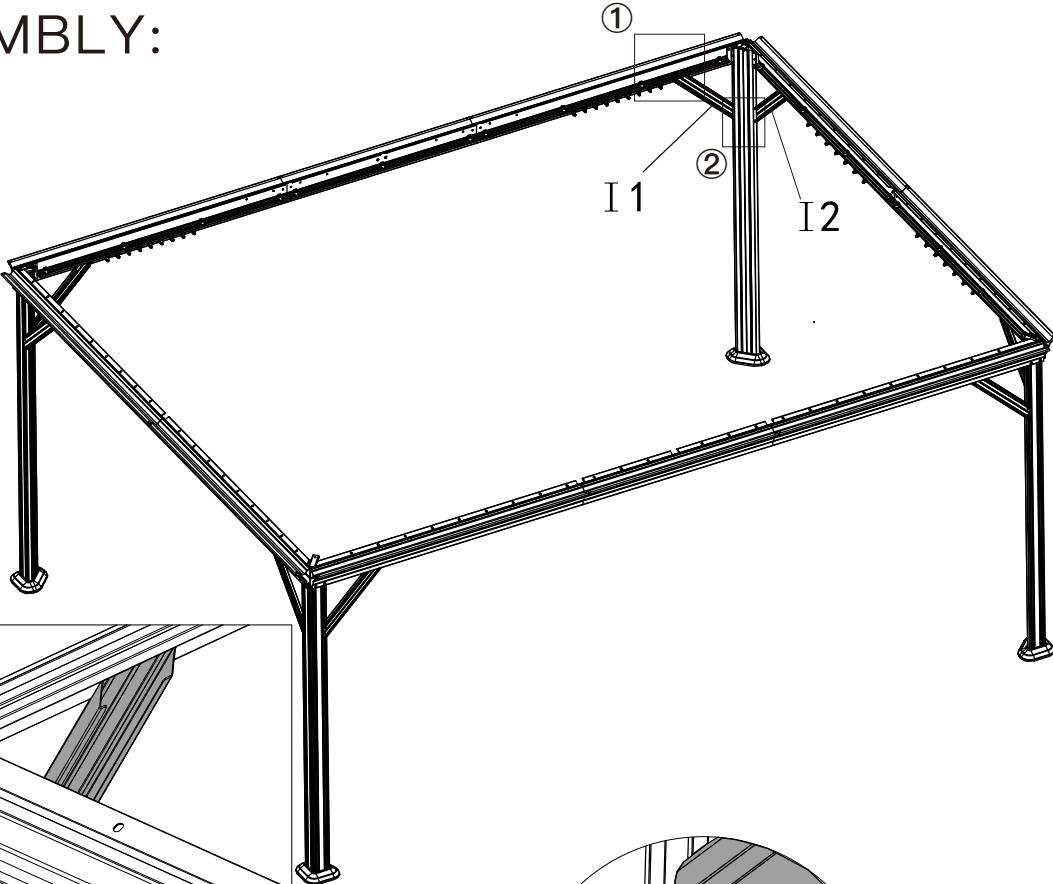


Outside View



Inside View

CORNER SOLIDIFYING
BAR ASSEMBLY:



Outside View

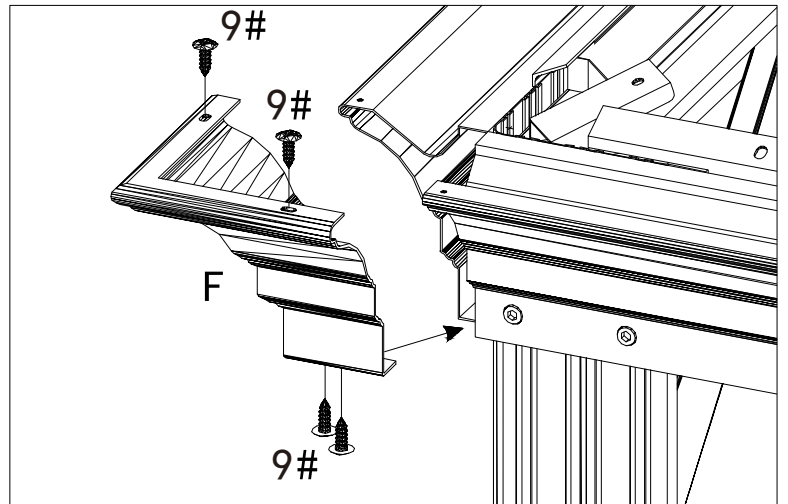
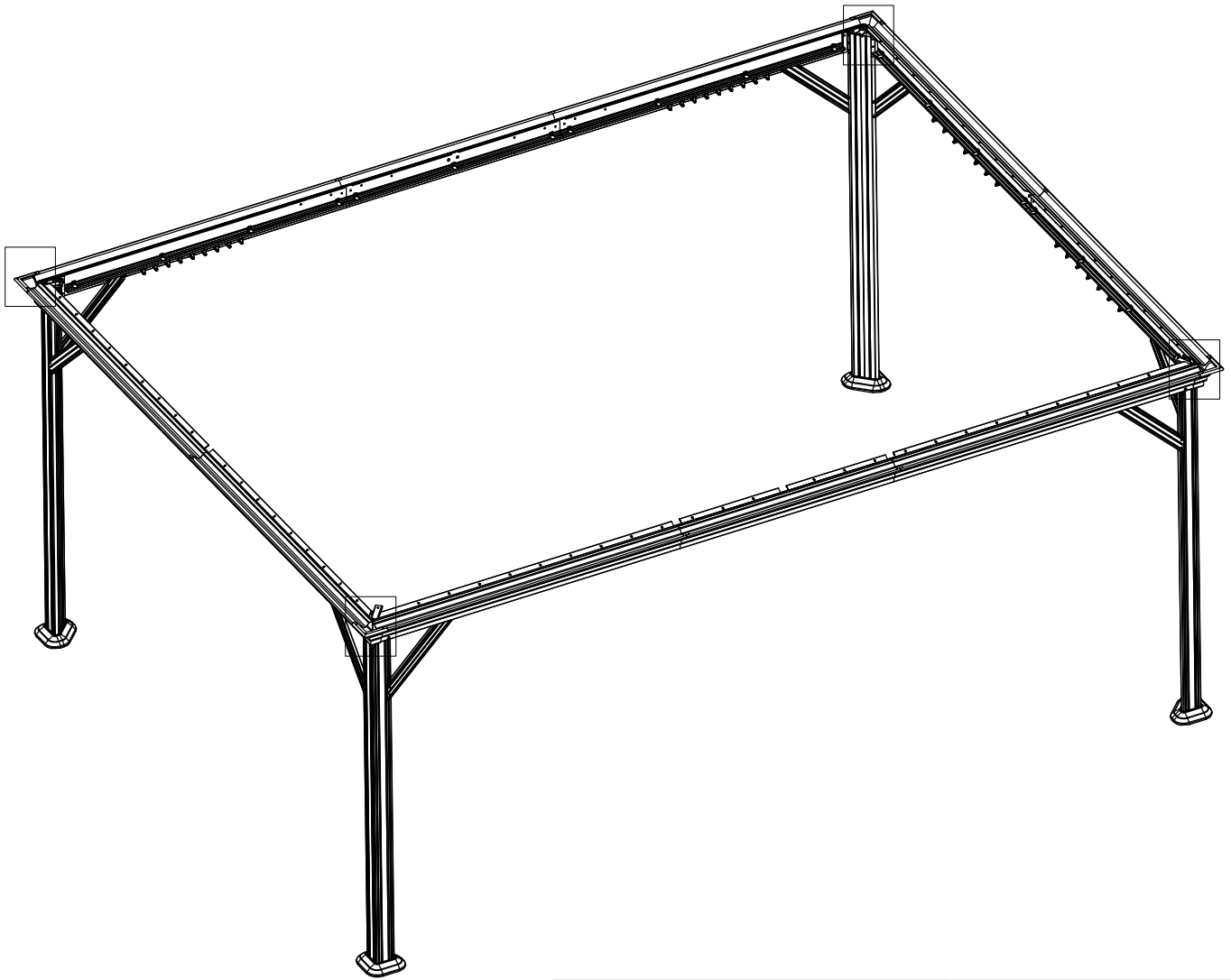


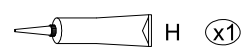
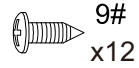
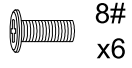
F (x4)



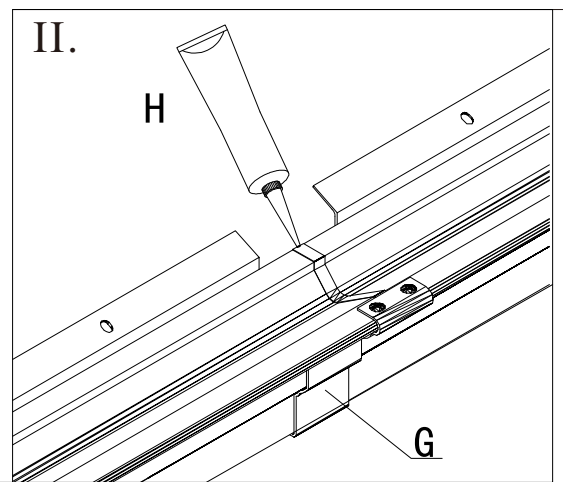
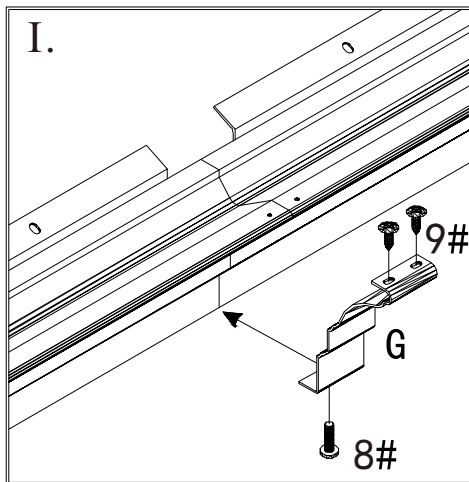
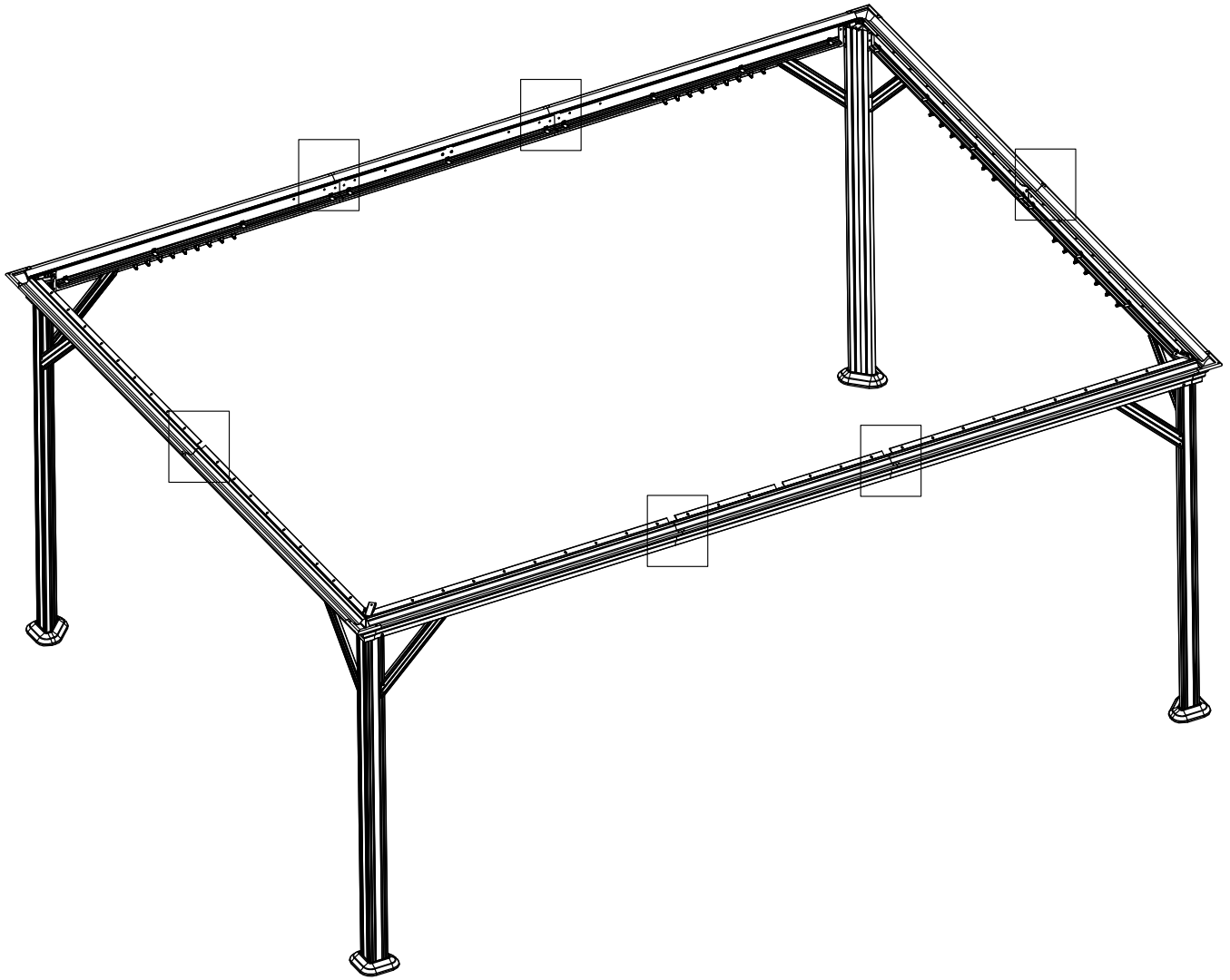
9#
x16

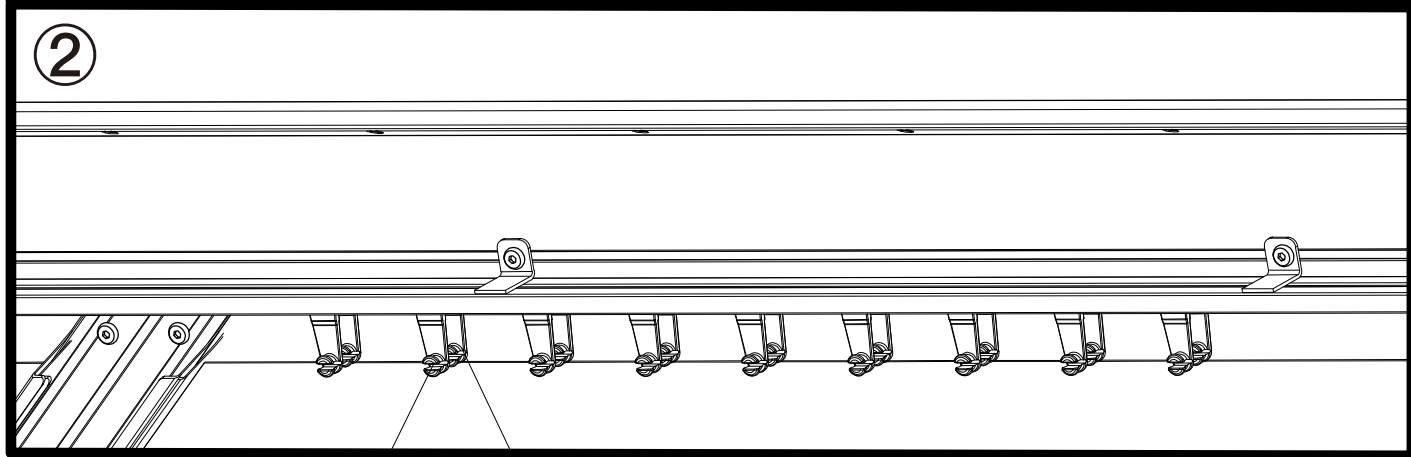
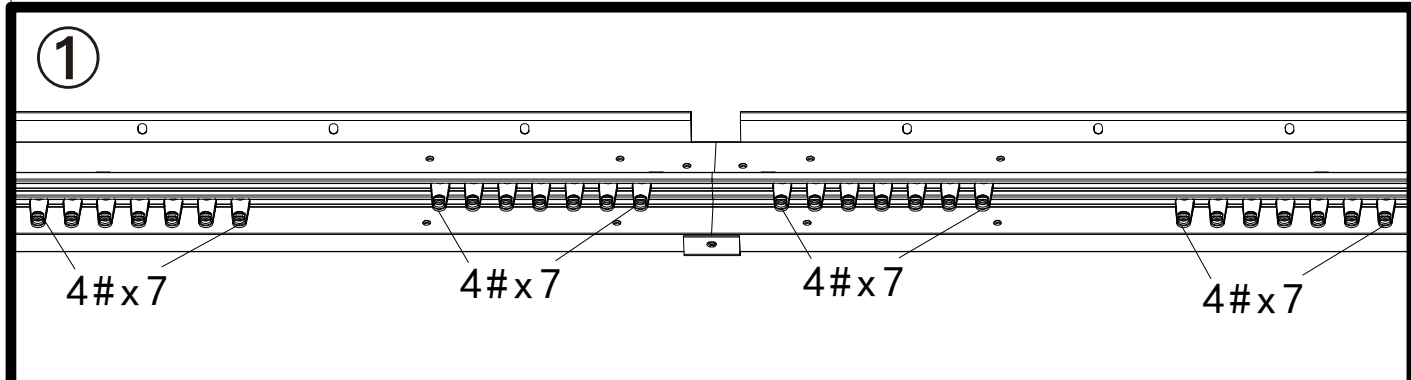
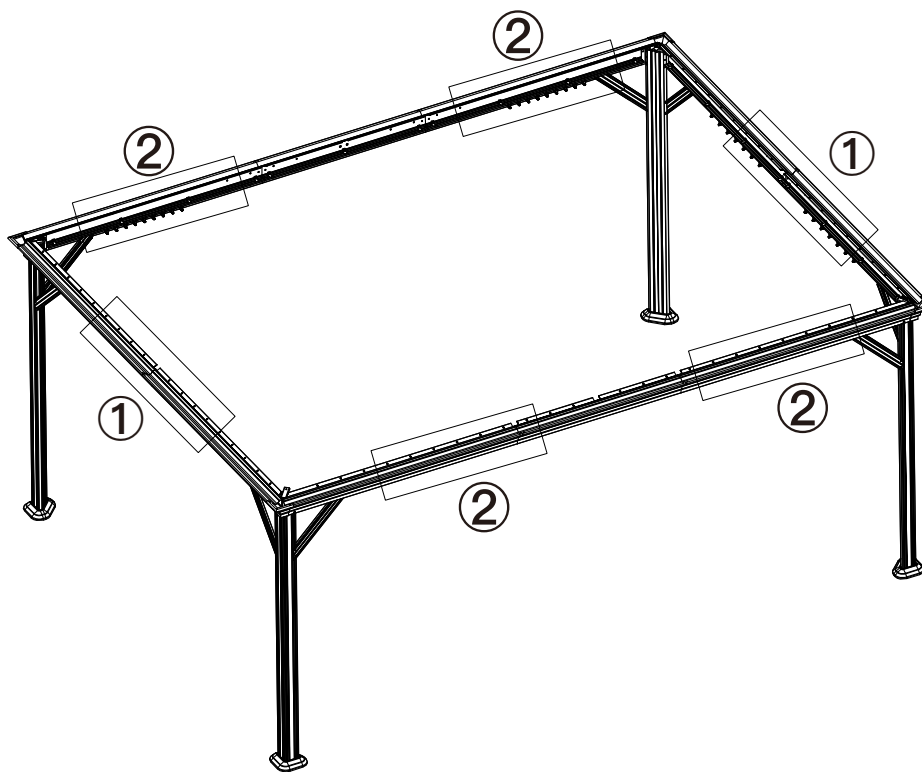
CORNER COVER & JOINT COVER ASSEMBLY:





Use 5mm silicone sealant(part #H) and Joint Cover #G to affix the gap.





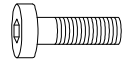
INSIDE VIEW



M (x4)

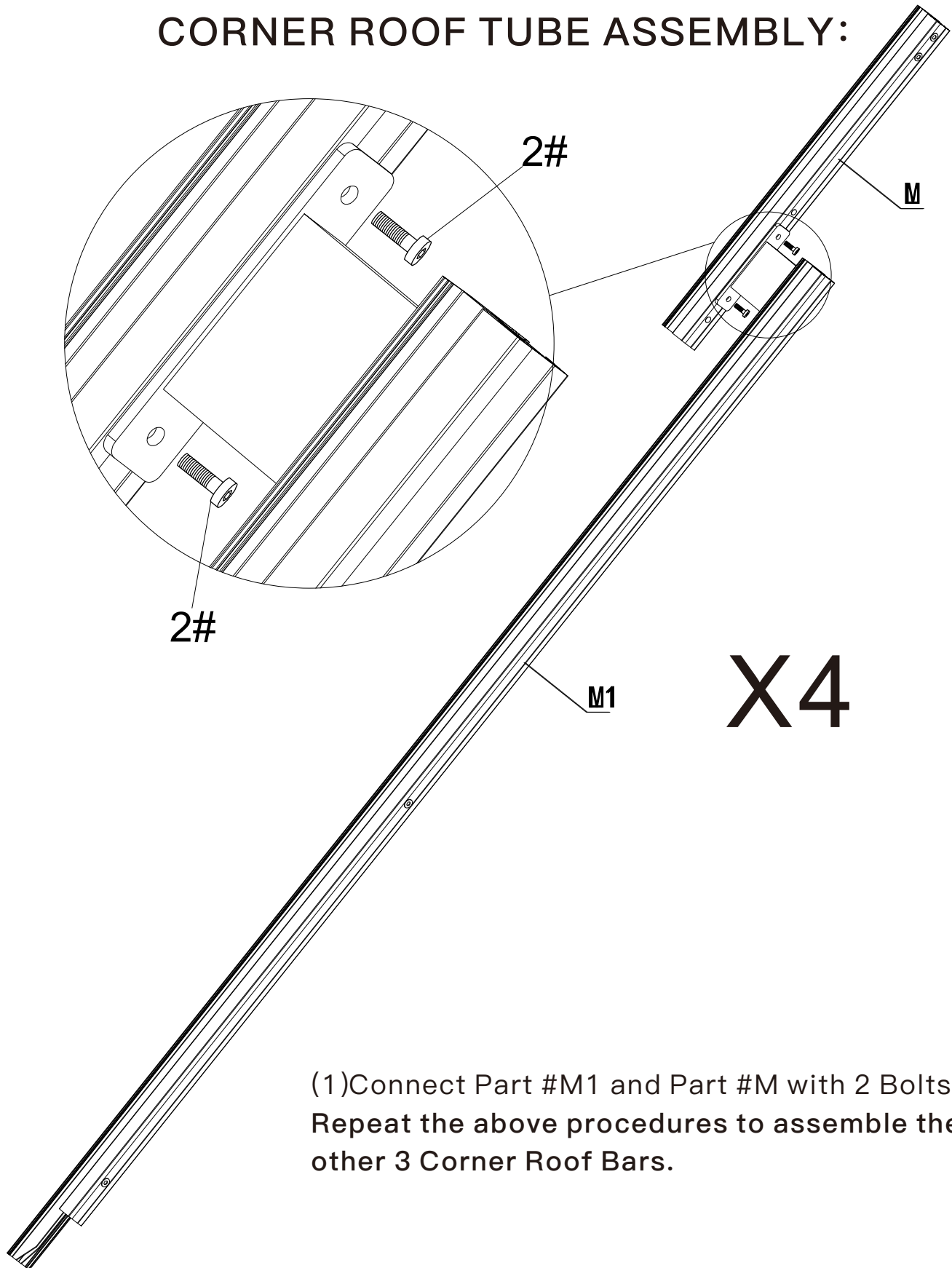


M1 (x4)

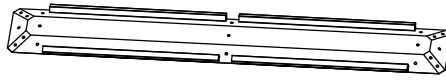


2#
x8

CORNER ROOF TUBE ASSEMBLY:

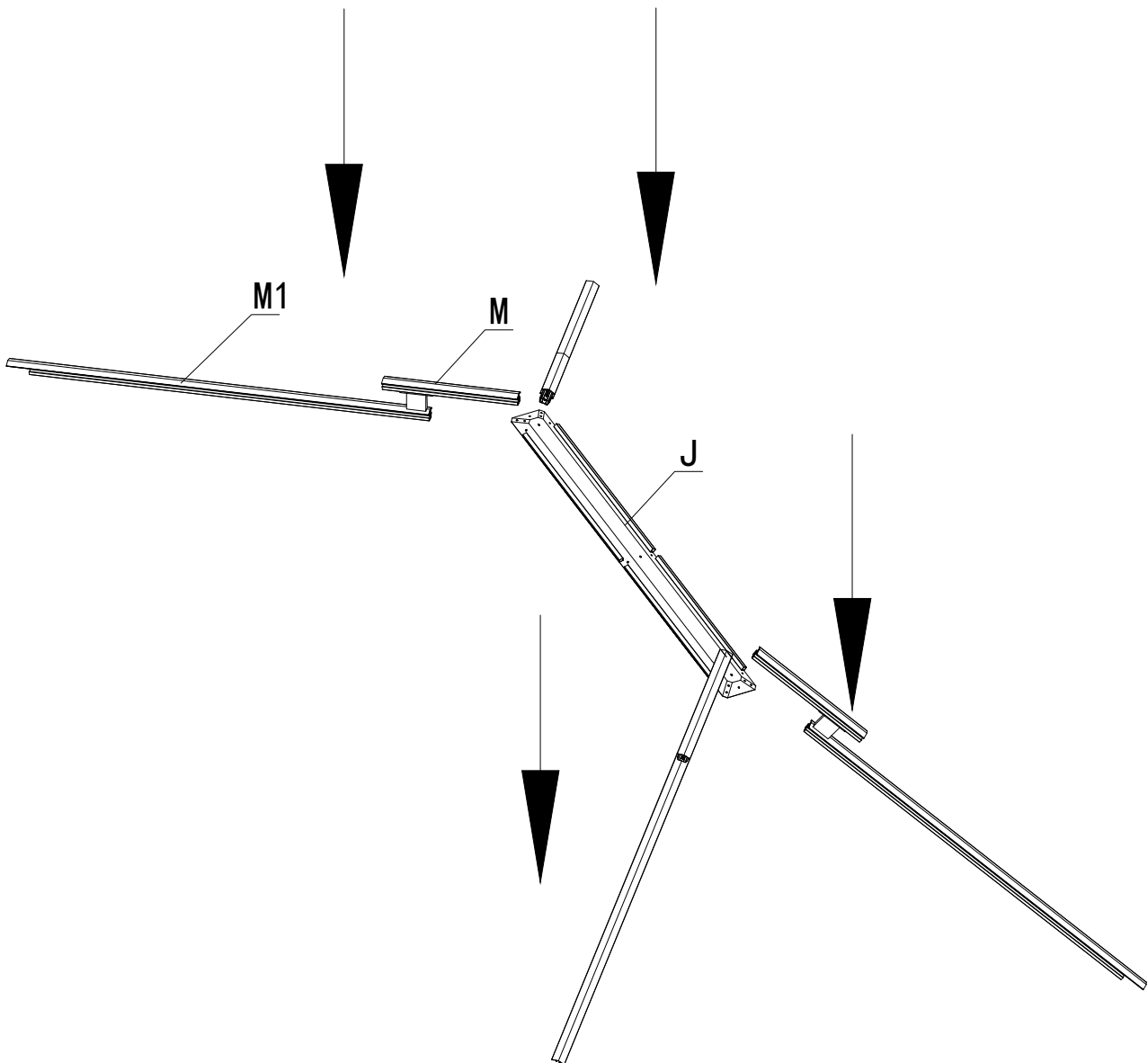


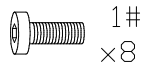
(1) Connect Part #M1 and Part #M with 2 Bolts #2.
 Repeat the above procedures to assemble the
 other 3 Corner Roof Bars.



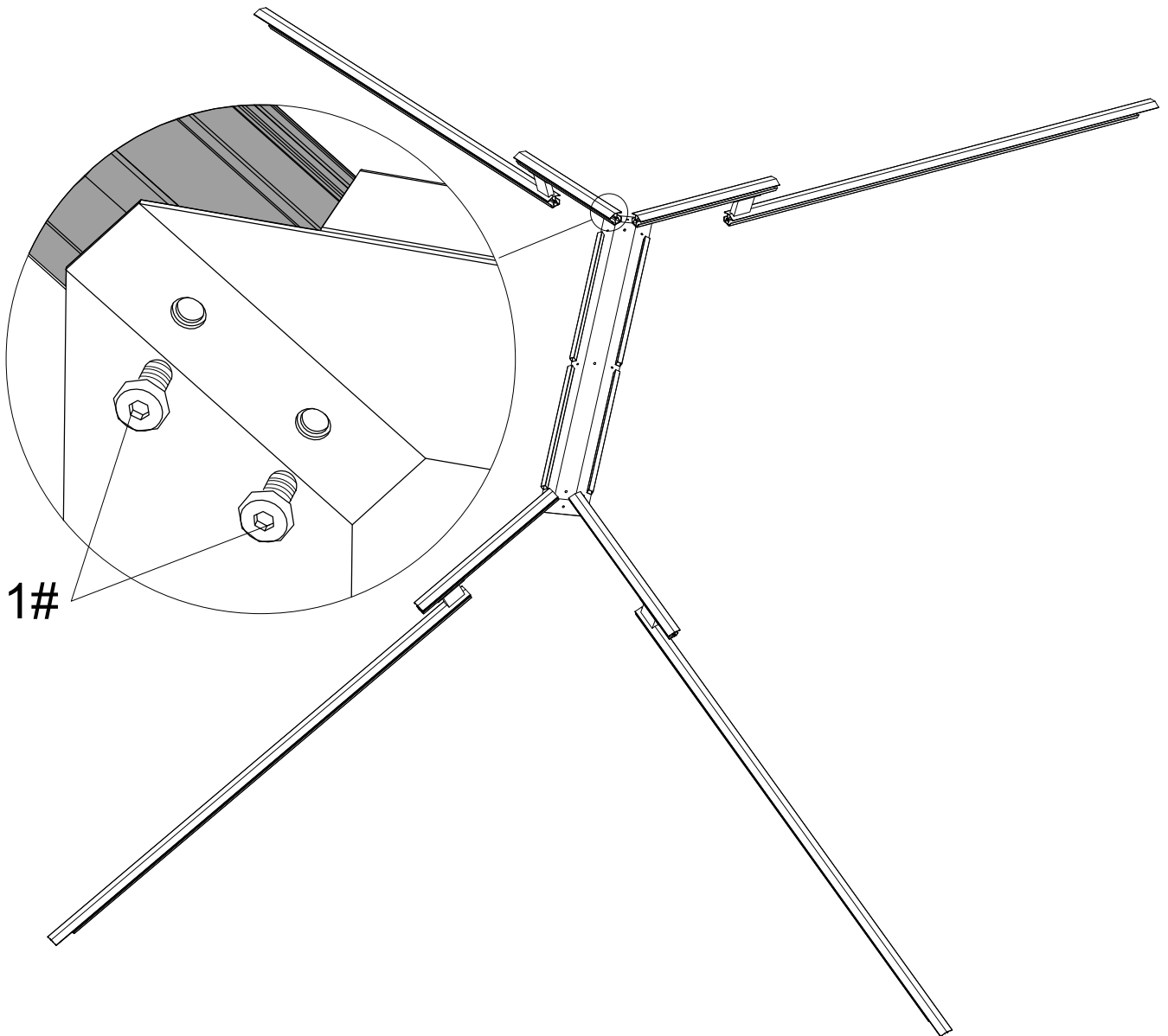
J (x1)

CORNER ROOF TUBE AND INSIDE ROOF CONNECTOR ASSEMBLY:





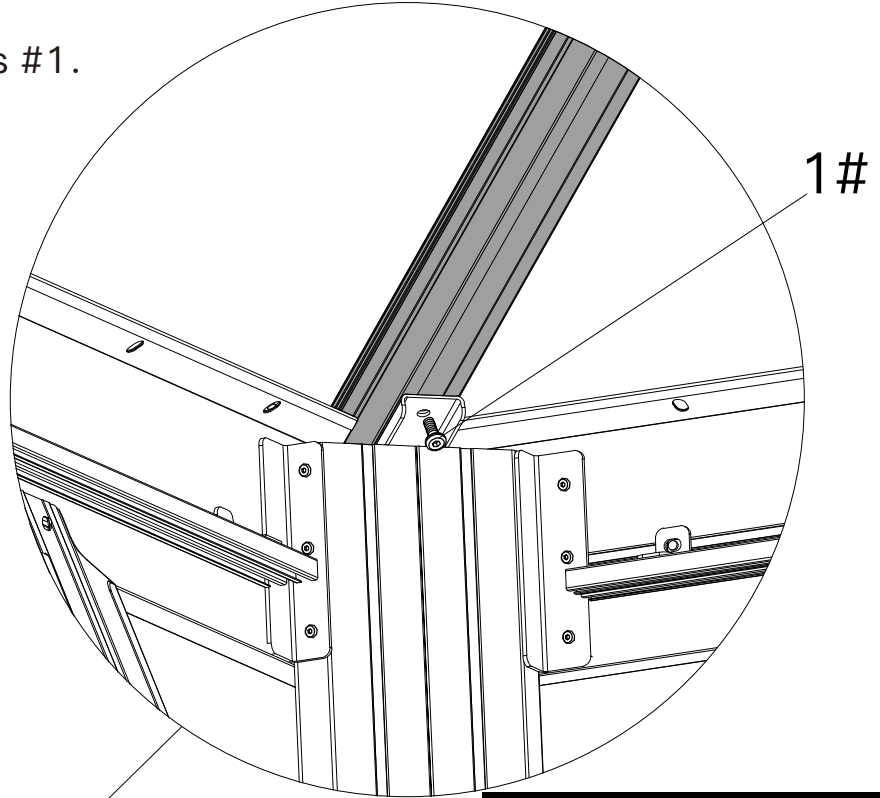
Place 4 Corner Roof Tubes on the 4 corners of Inside Roof Cover #D1, secure with 8 Bolts #1 (from bottom to top).



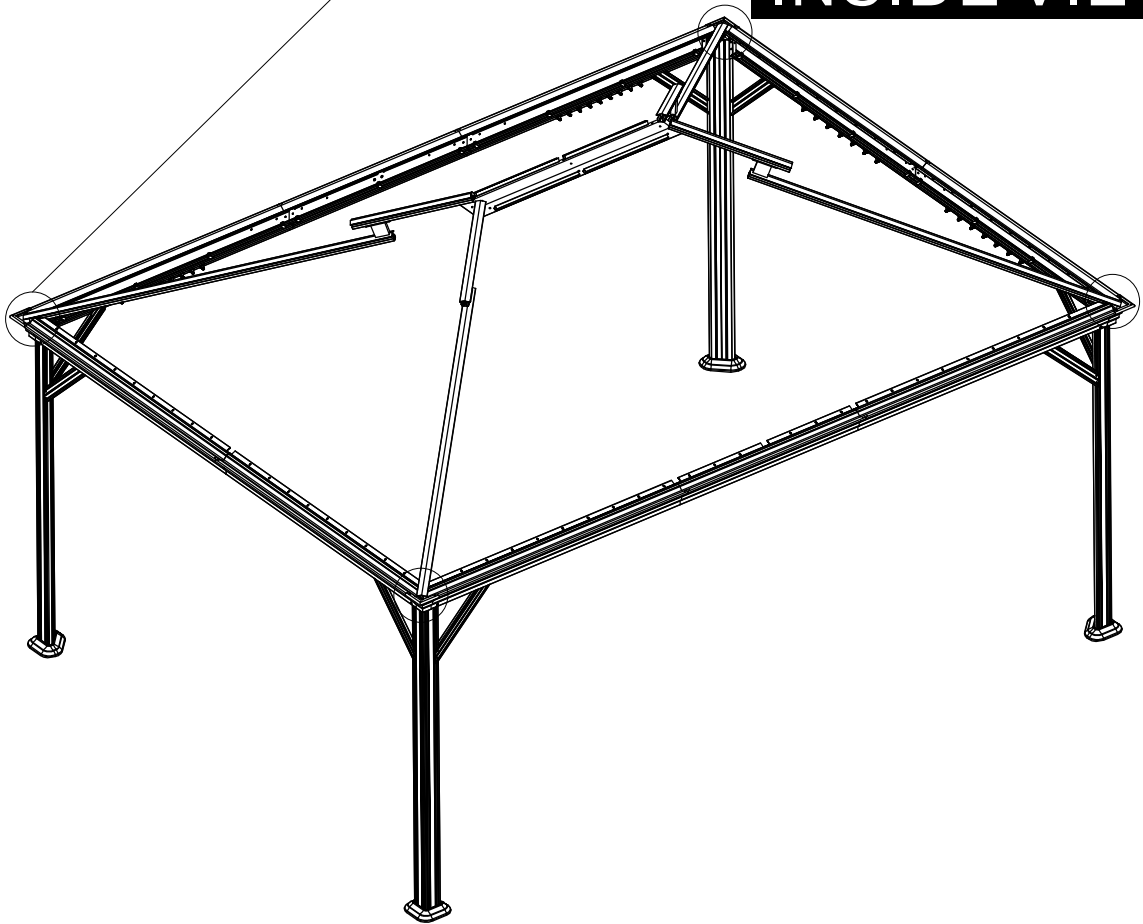
Lift 4 corner roof Tubes and inside roof connector to the top of the frame.(You may need 2 people and 2 ladder).

1#
×4

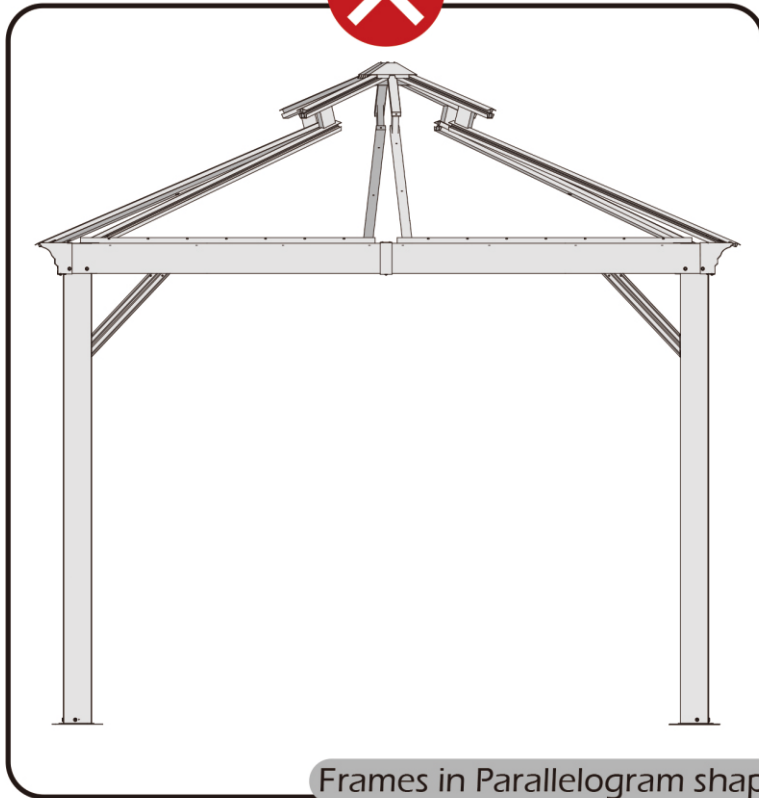
Secure with 4 Bolts #1.



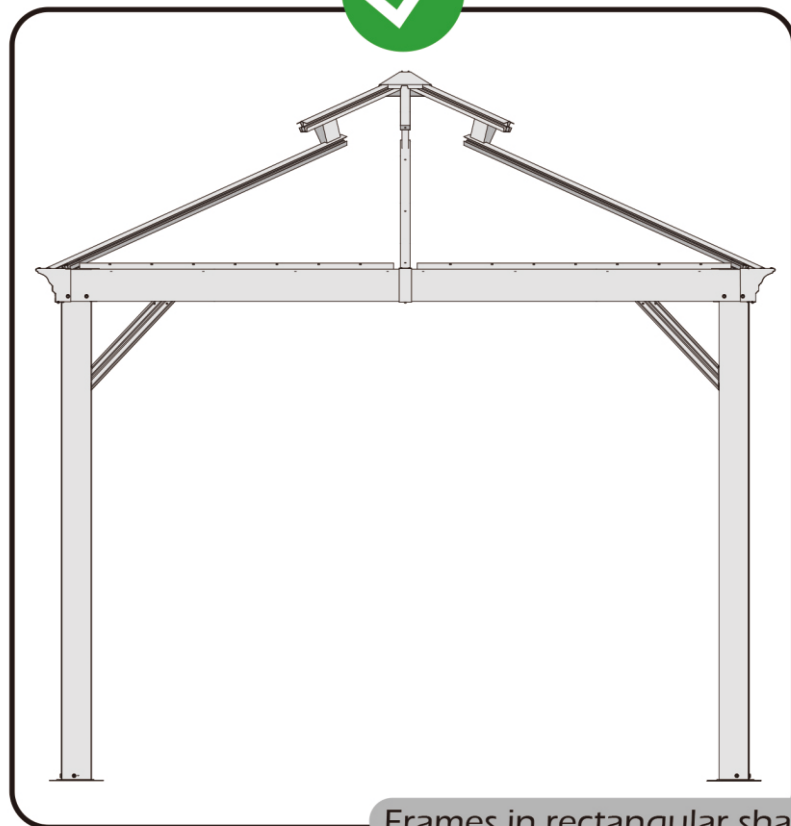
INSIDE VIEW



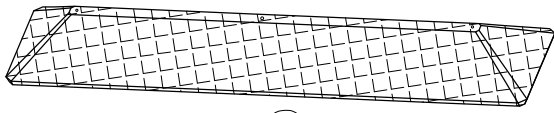
Check the the frame as pictures below shows.



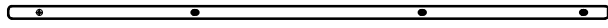
Frames in Parallelogram shape



Frames in rectangular shape



O (x1)

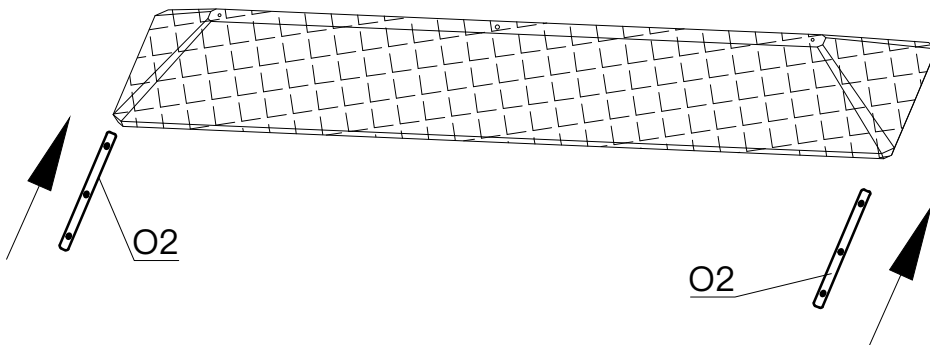
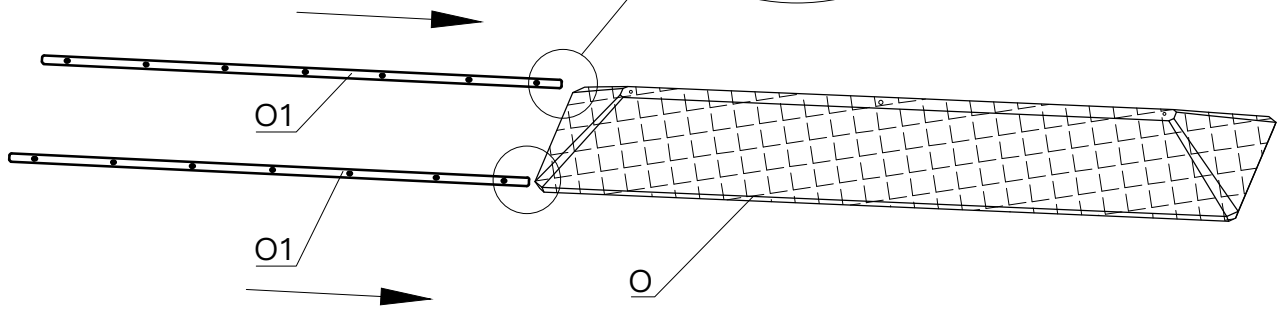
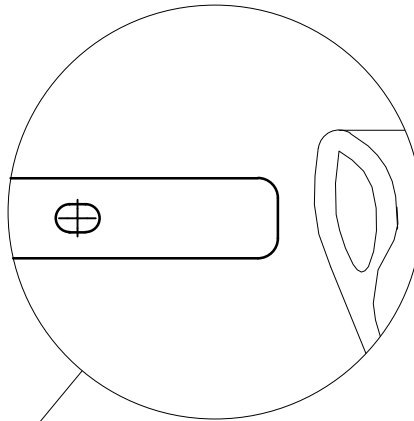


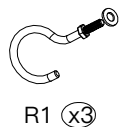
O1 (x2)



O2 (x2)

PLASTIC BAR ASSEMBLY:



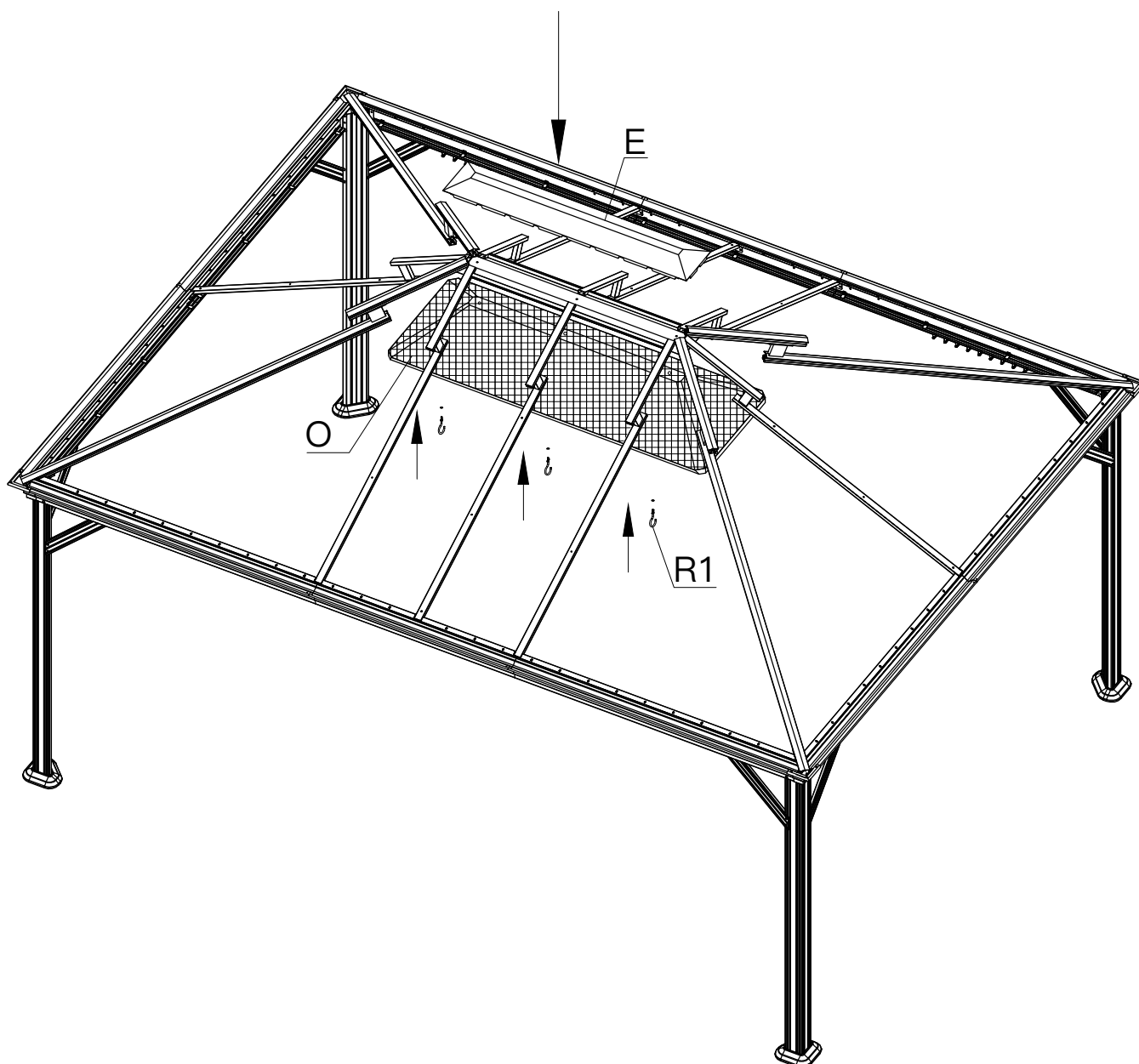


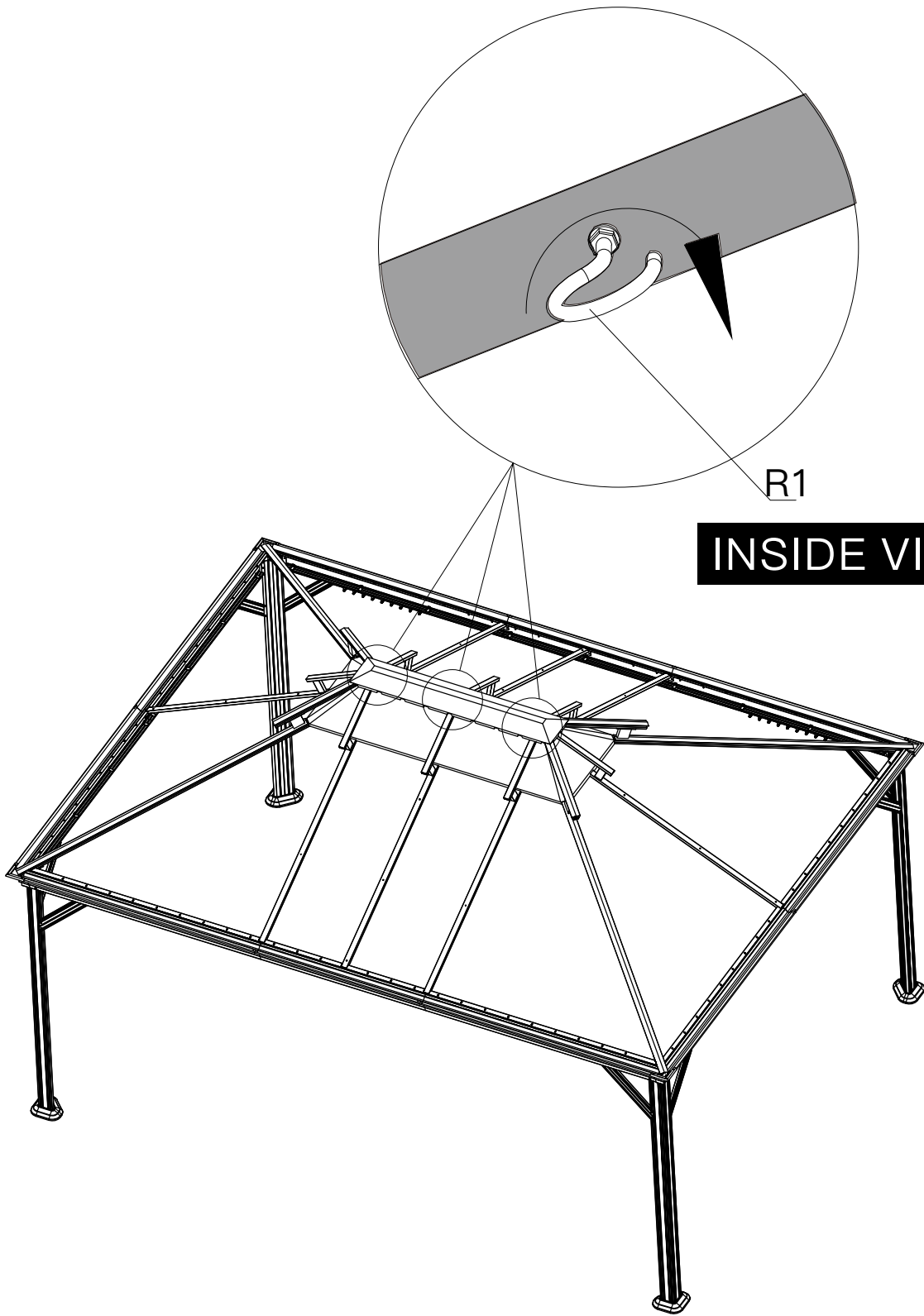
E (x1)

R1 (x3)

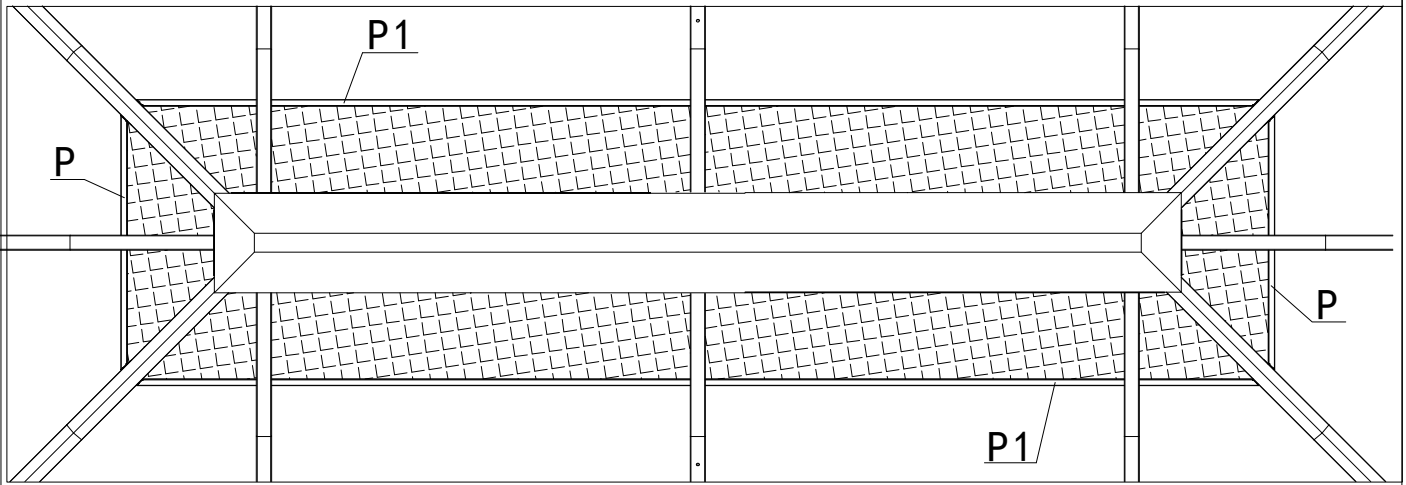
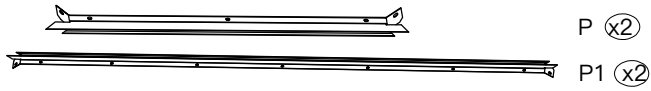
OUTSIDE ROOF COVER AND MESH ASSEMBLY :

- (1) Place the Outside Roof Cover on the inside Roof Cover.
- (2) Align the holes and use 3 Hooks #R1 to secure Mesh #O to the inside Roof Cover (From Bottom to Top).

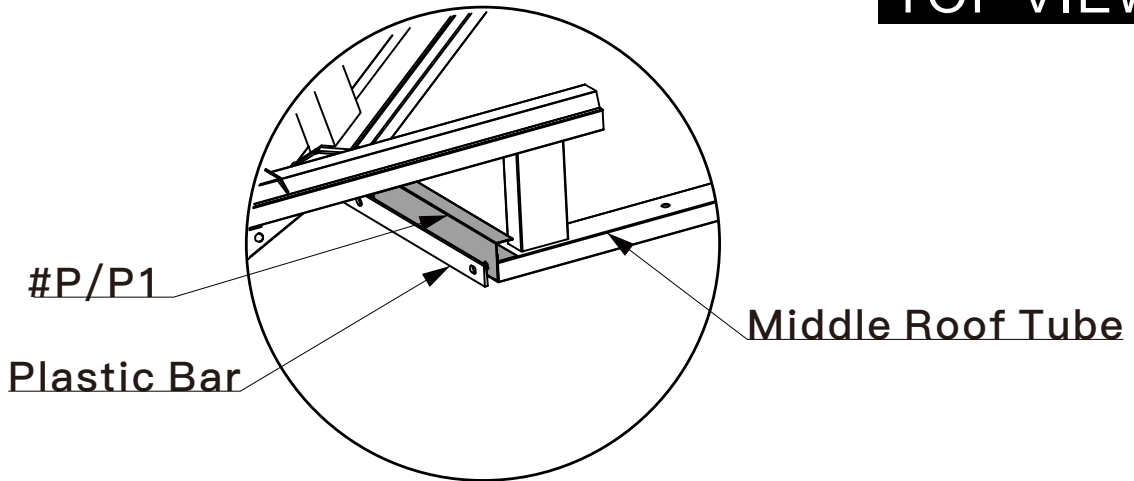




INSIDE VIEW



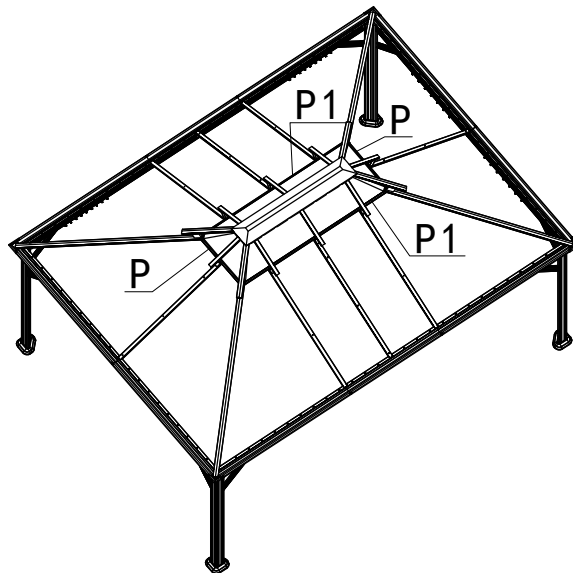
TOP VIEW

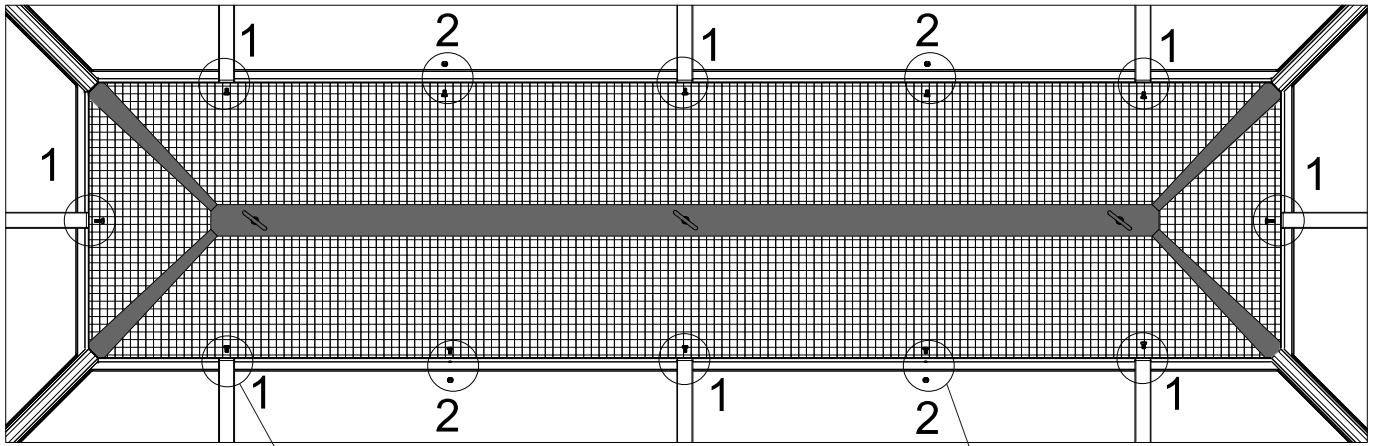
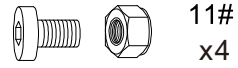
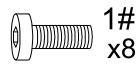


INSIDE VIEW

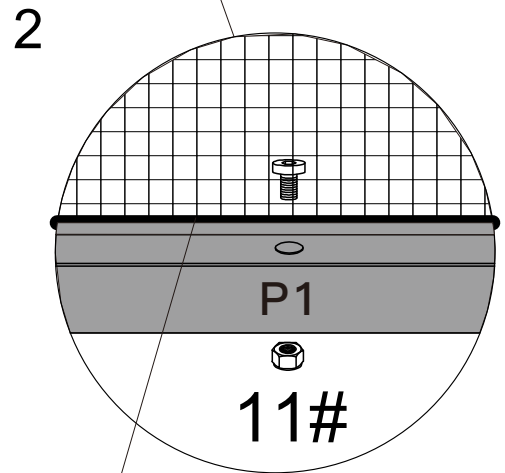
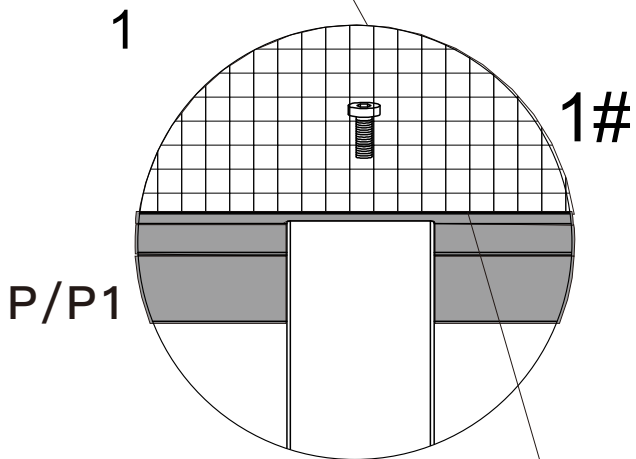


Please do not pull plastic bar out when installing it with #P & P1 on the middle roof tube.

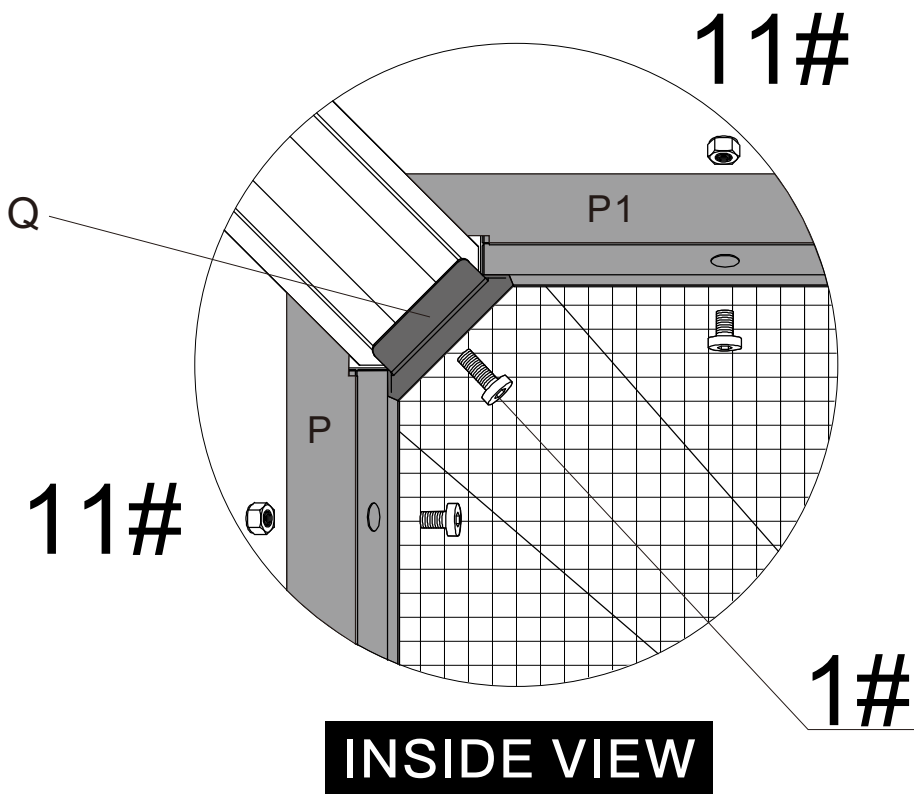
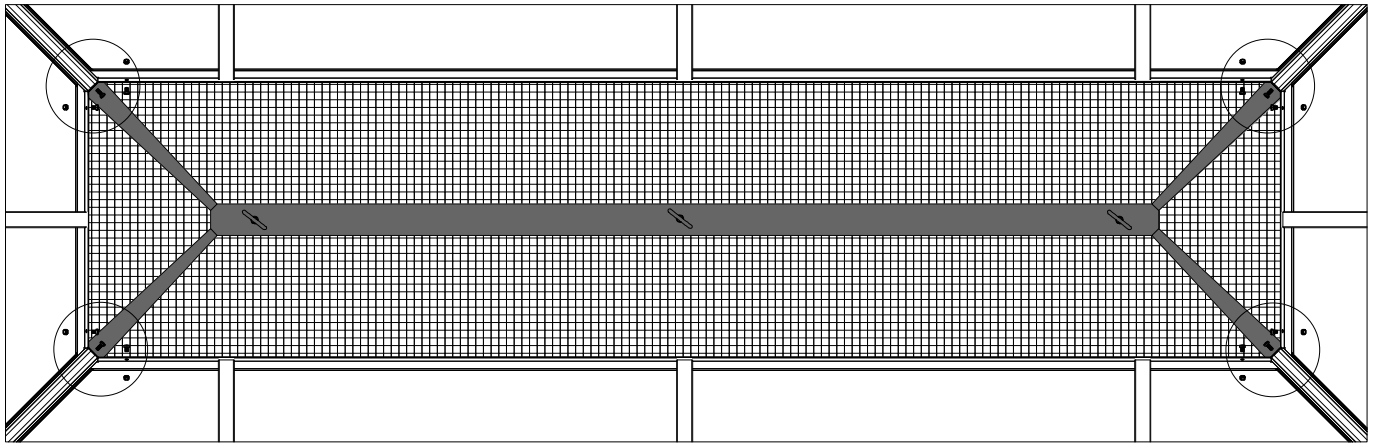
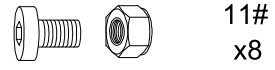
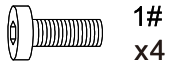
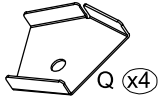


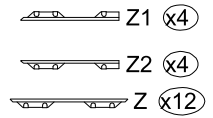
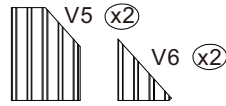
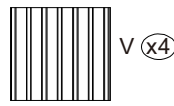
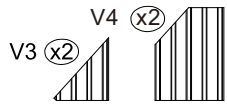
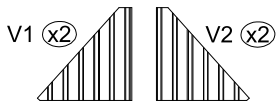


BOTTOM VIEW

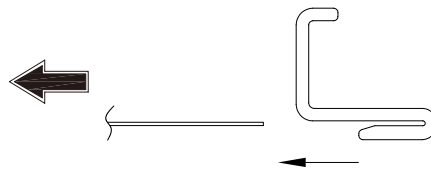
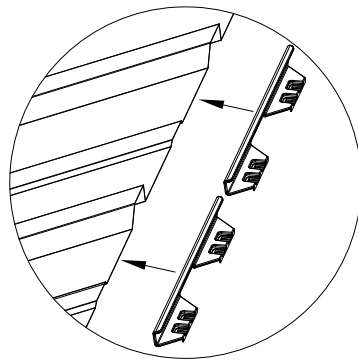
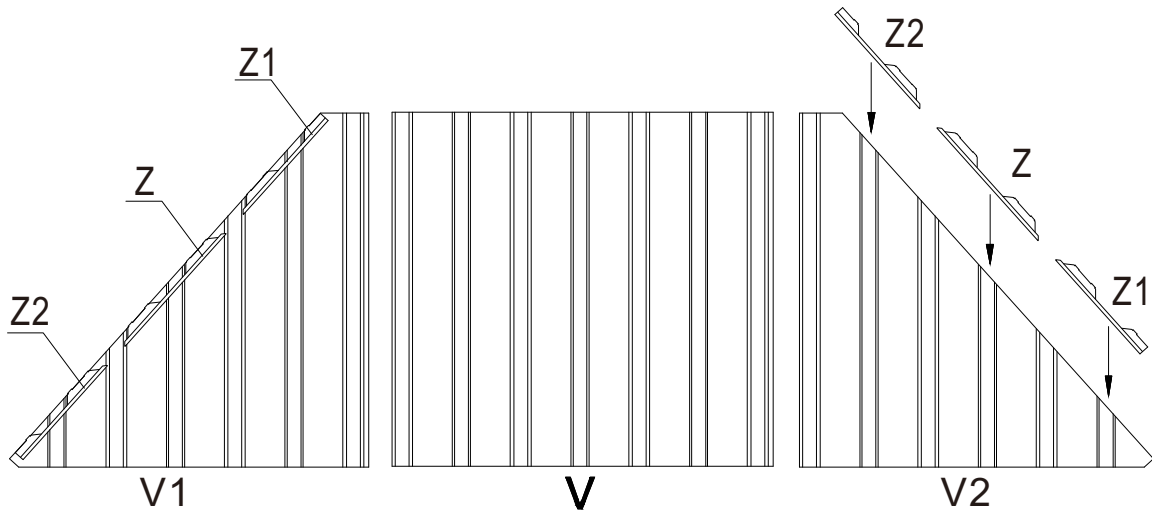


Plastic Bar
on the mesh

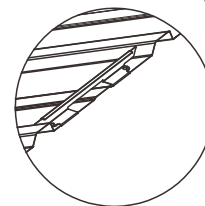
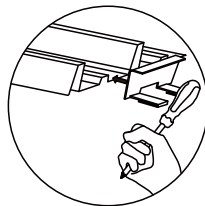
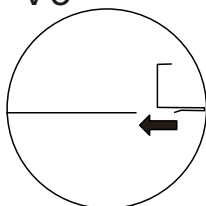
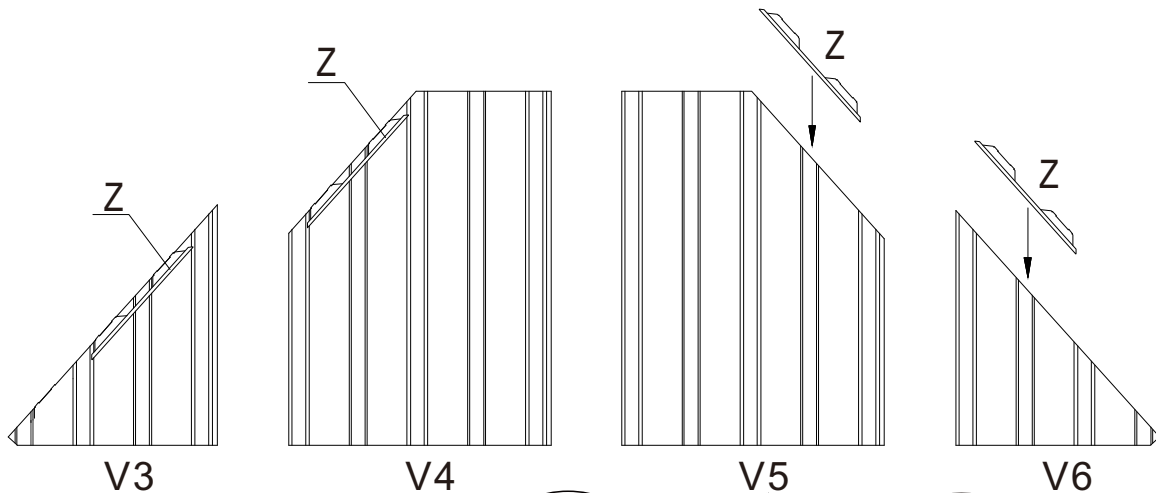




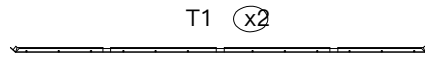
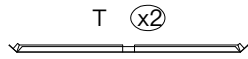
Remove the protective film of the panels before installing the roofing panels,



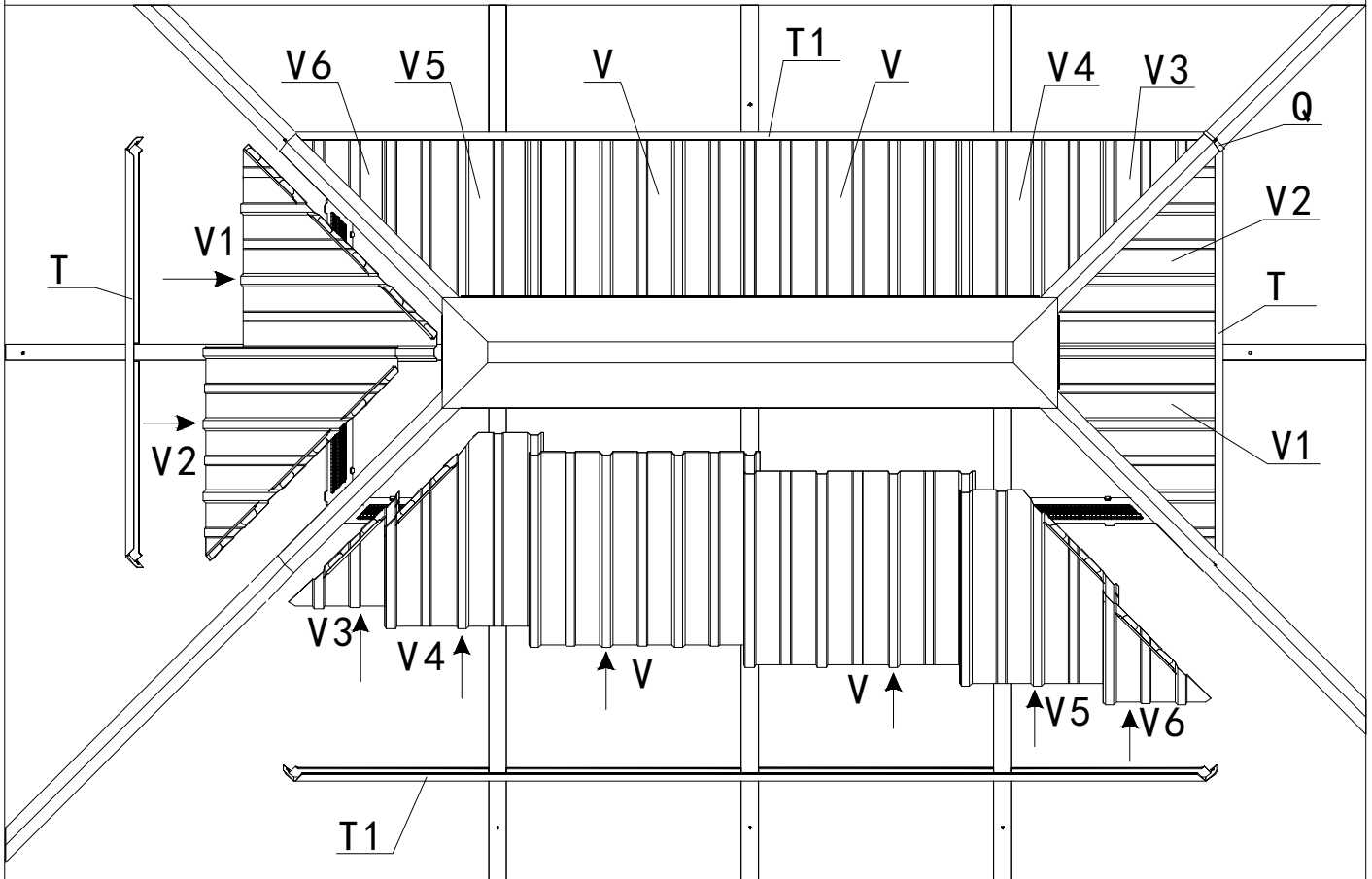
Section View



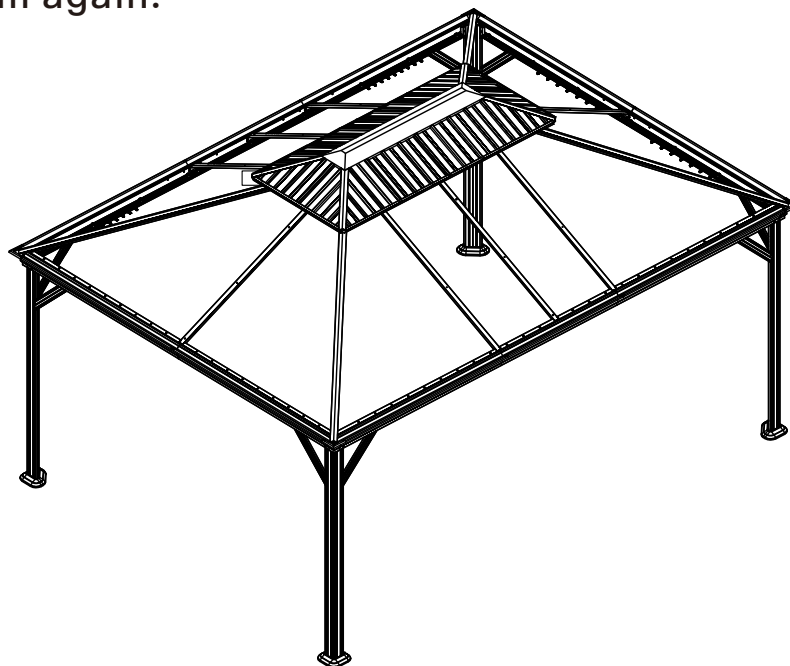
Attach Part #Z,#Z1,#Z2 by lightly tapping with screwdriver.

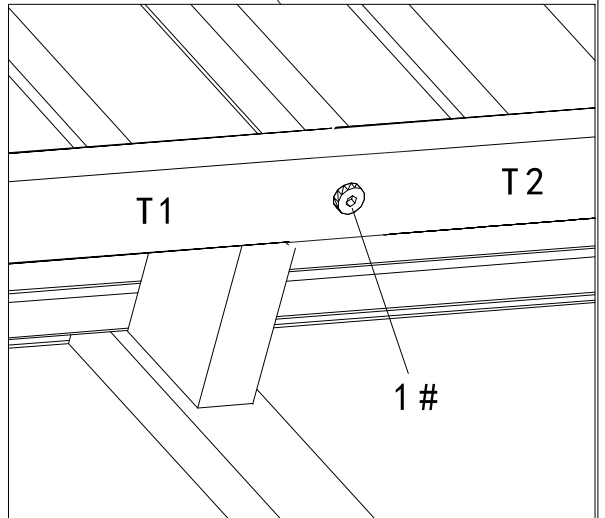
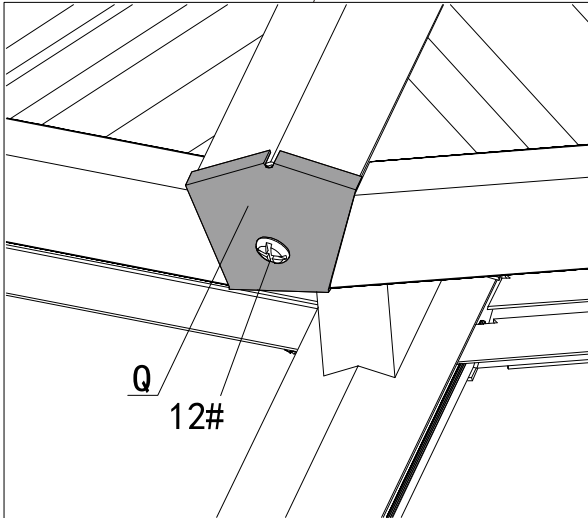
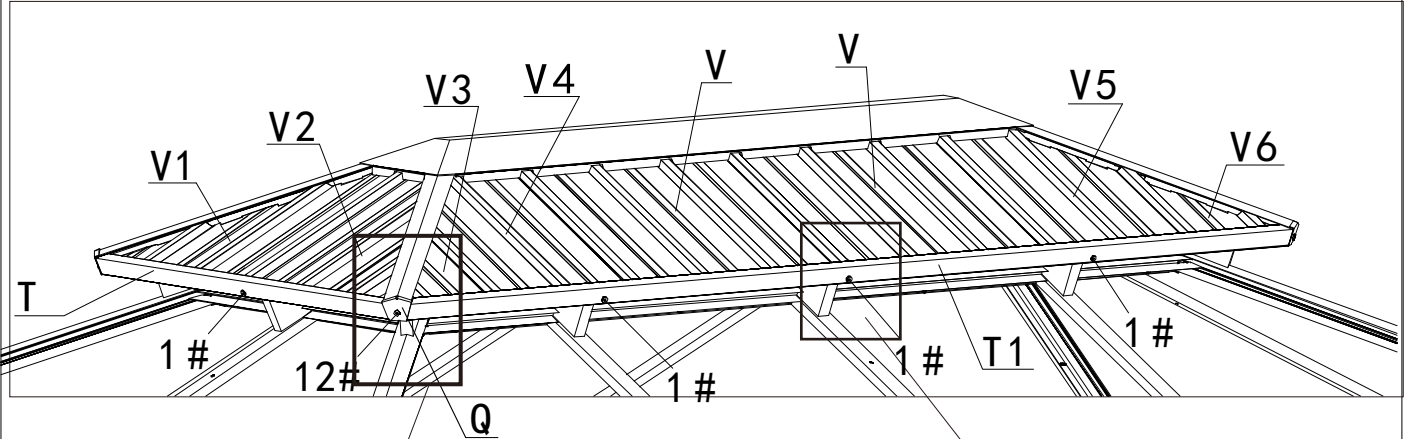
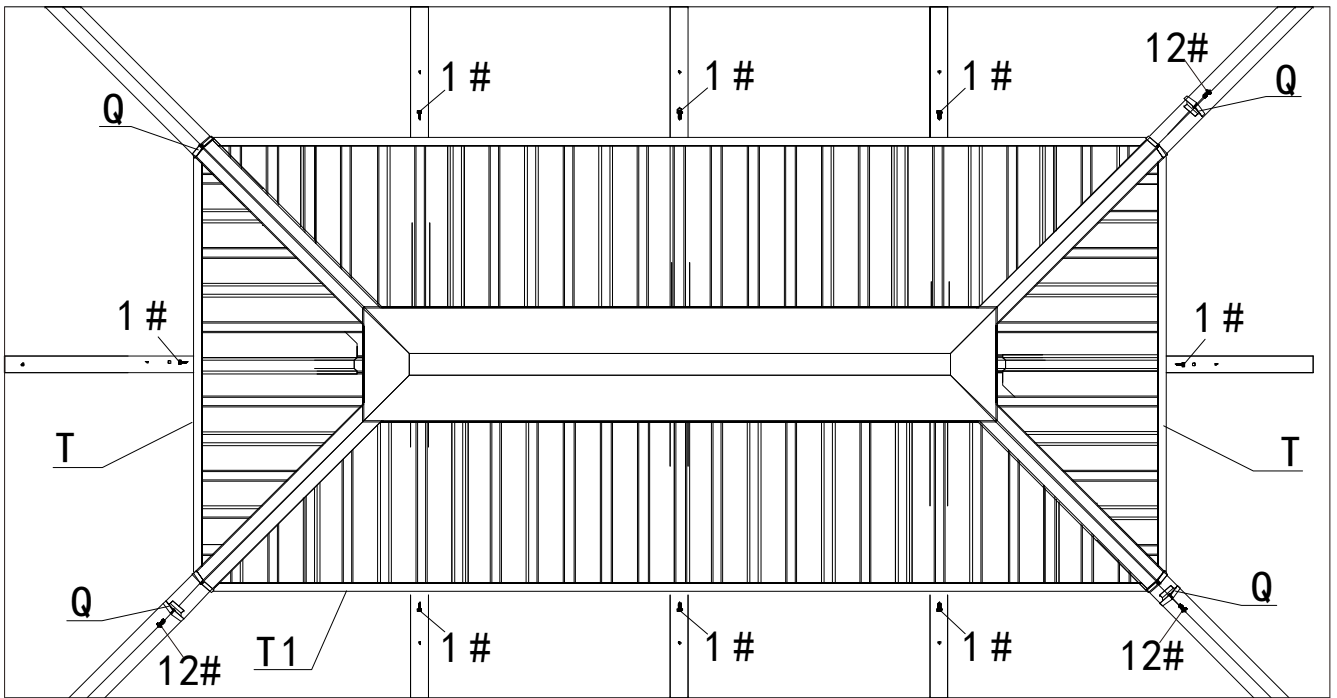
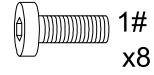
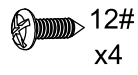
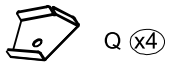


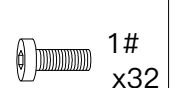
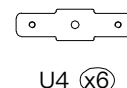
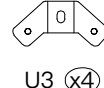
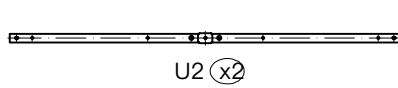
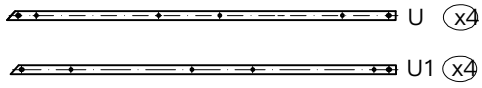
SMALL ROOF PANEL AND FINISHING BAR ASSEMBLY:



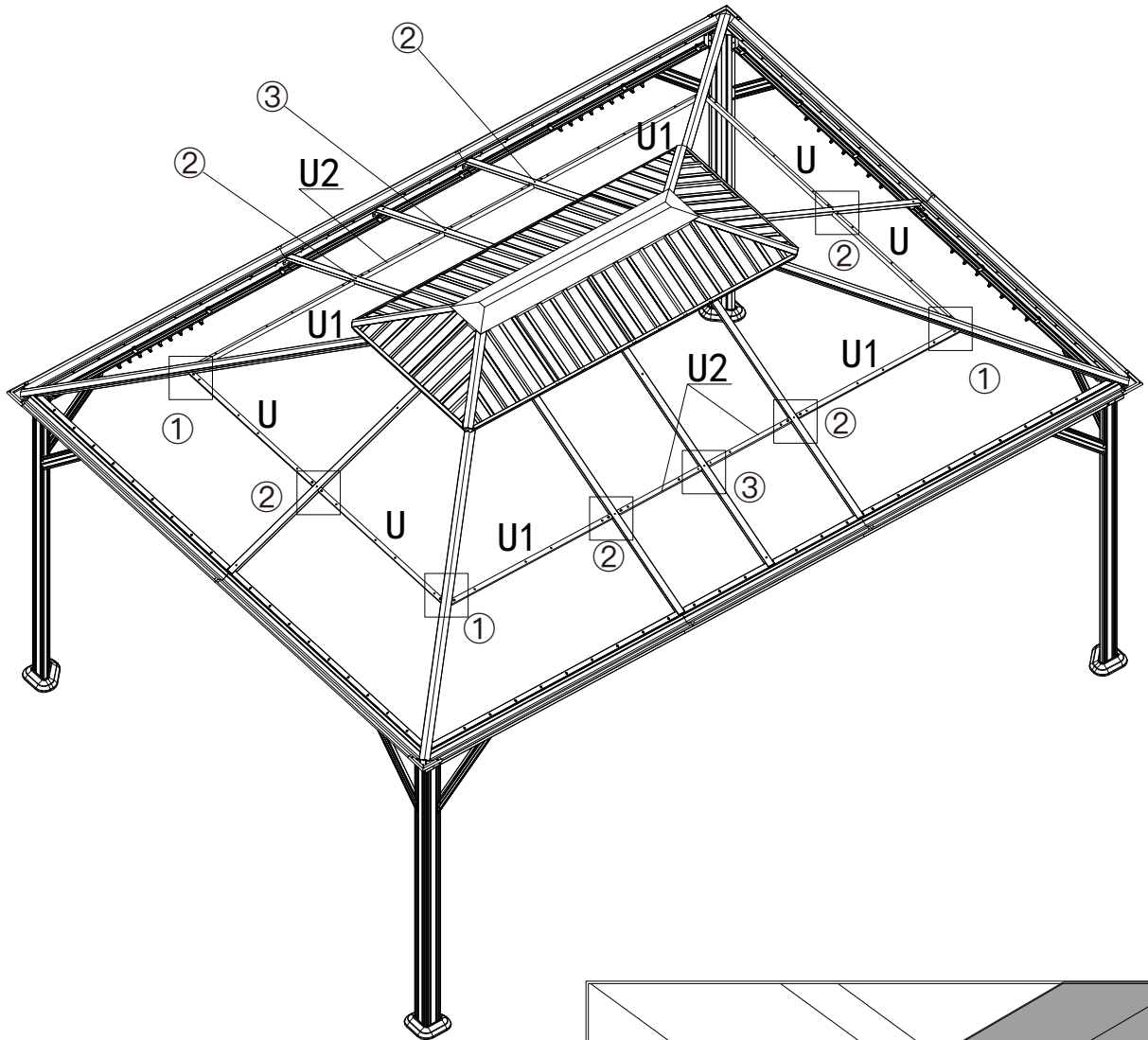
If you can't install #V, push the Outside Roof Cover up and try to insert them again.



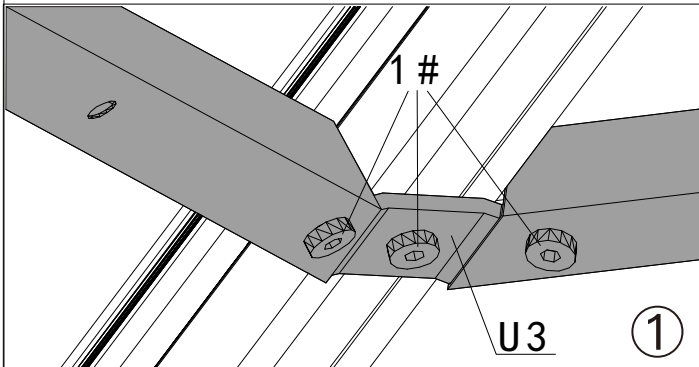
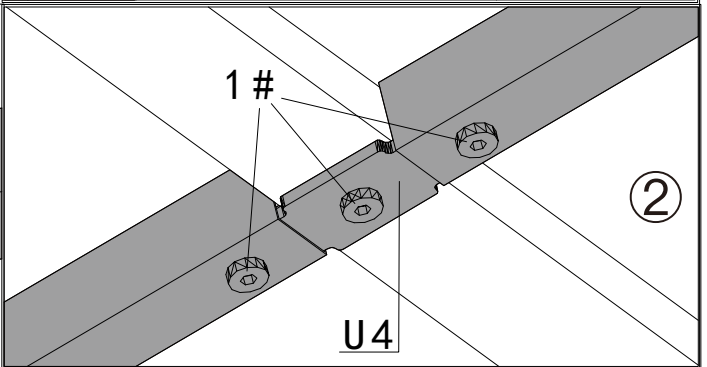
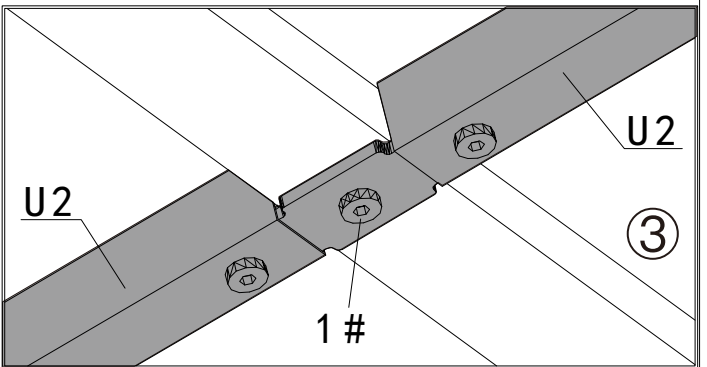


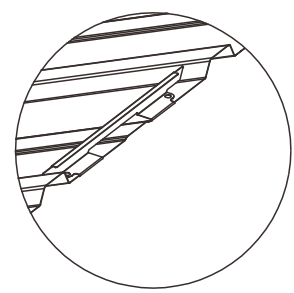
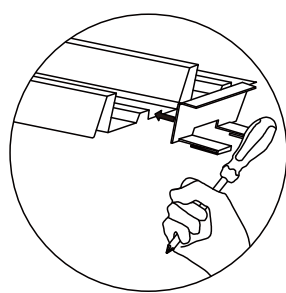
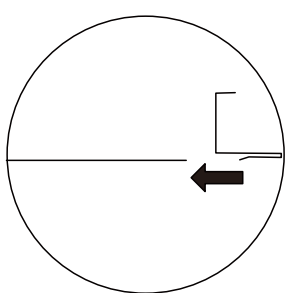
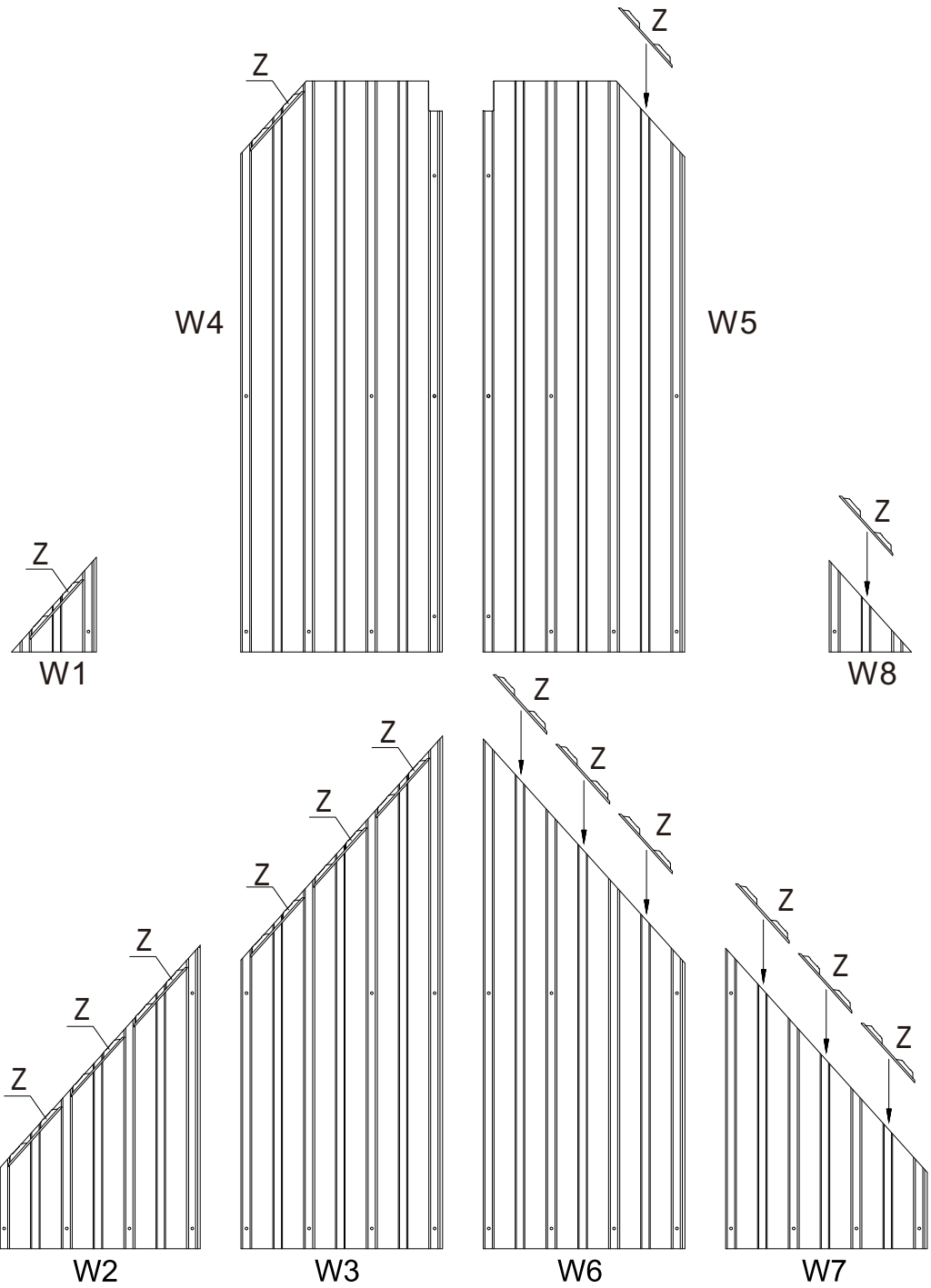
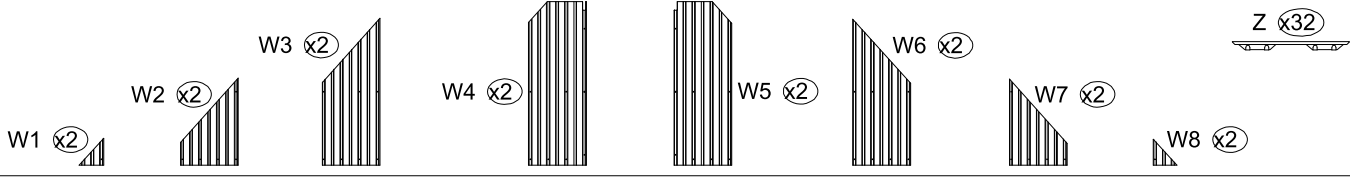


SOLIDIFYING BAR ASSEMBLY:

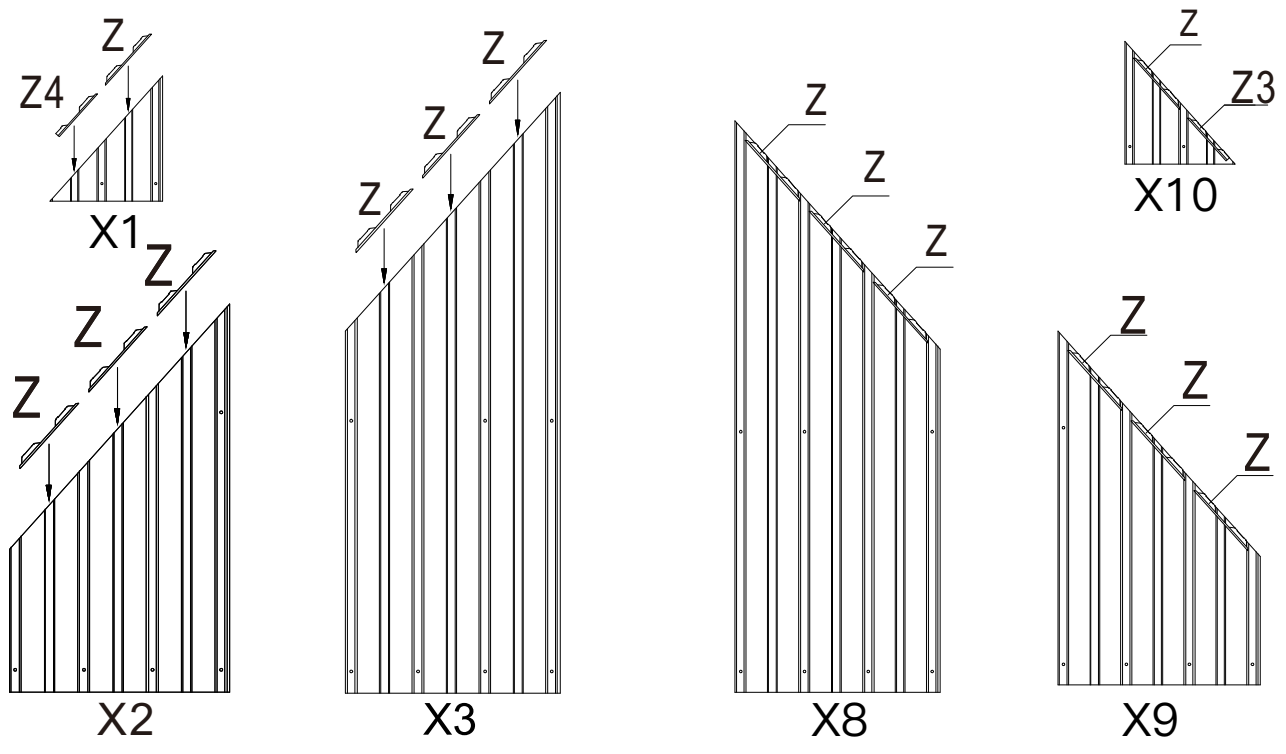
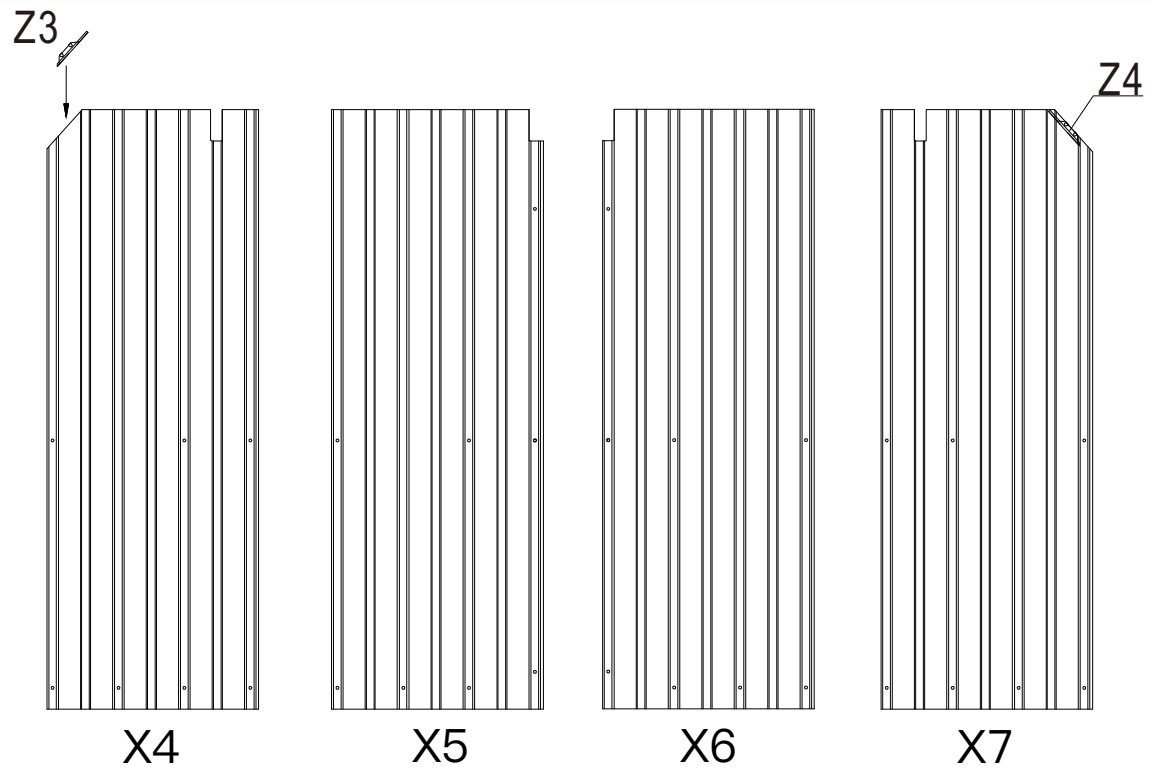
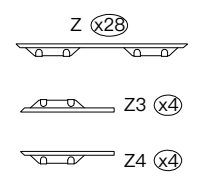
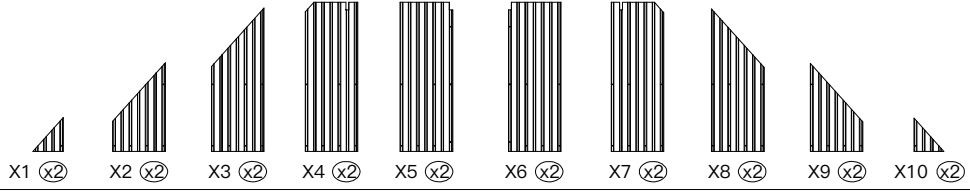


INSIDE VIEW



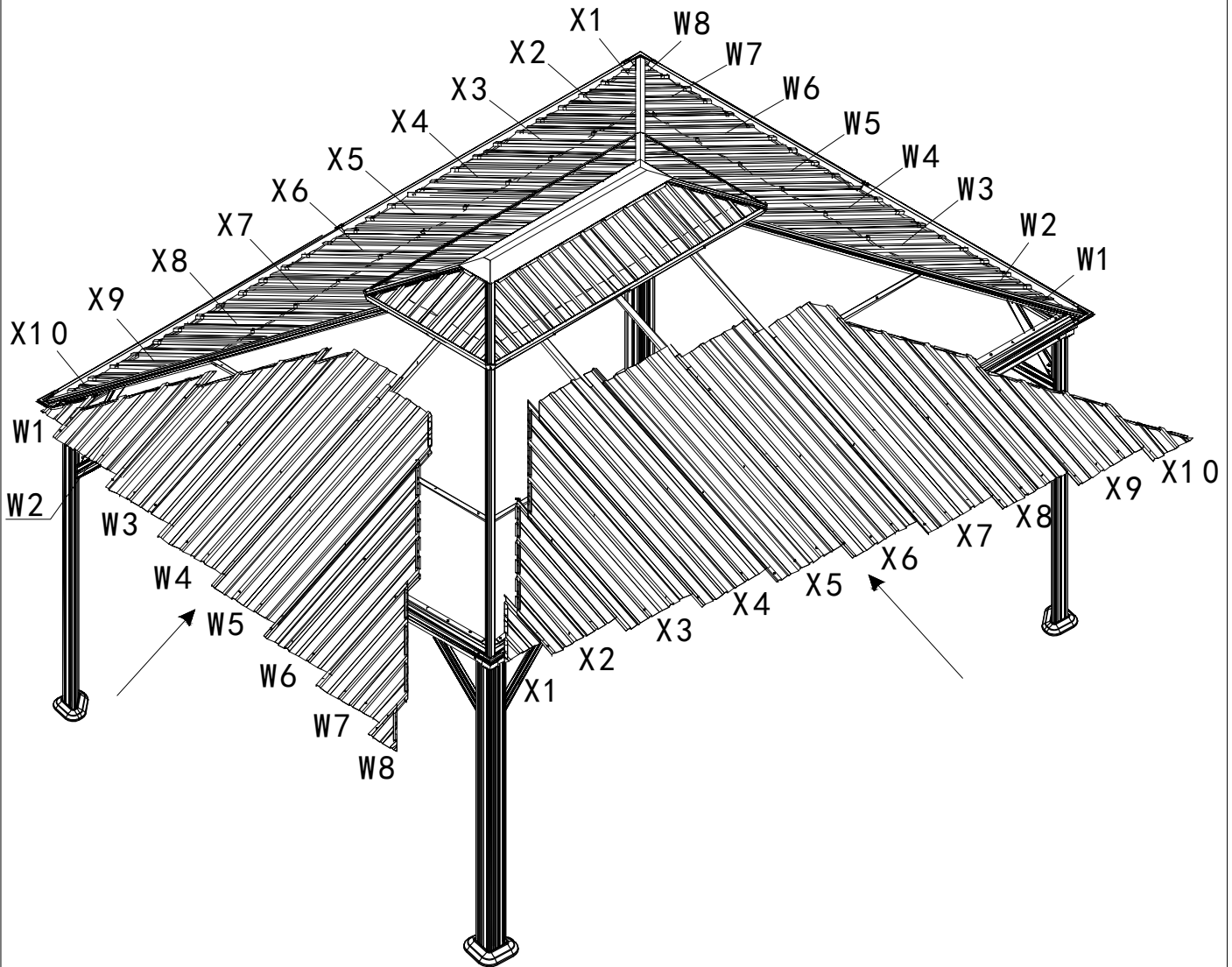


Attach Part #Z by lightly tapping with screwdriver.



Please install Clips #Z, Z3, Z4 in strict accordance with the instructions.

Install the Middle Panels (#X5, X6 or #W4,W5) first, then the small panels on the edge.



Remove the protective film of the panels before installing the roofing panels,



The Black Rubber #S should be assembled when installing the roof panels; please see the next page.

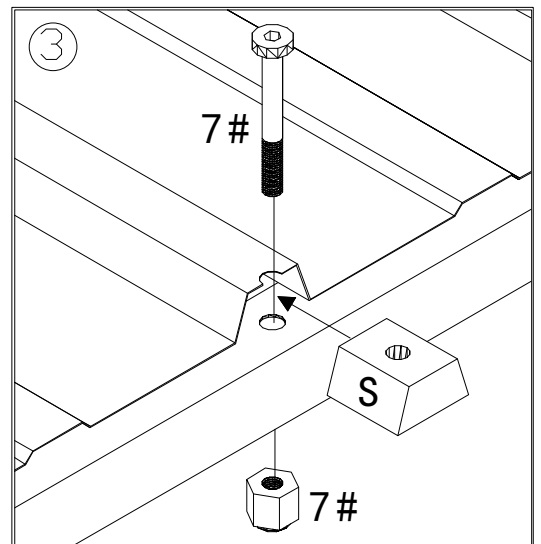
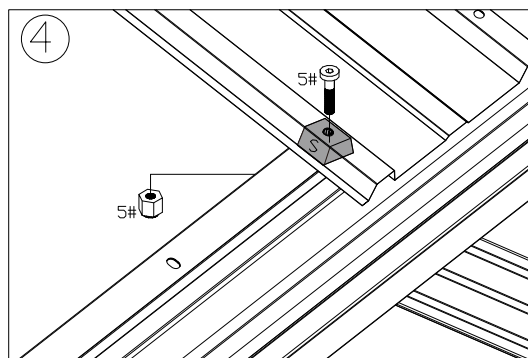
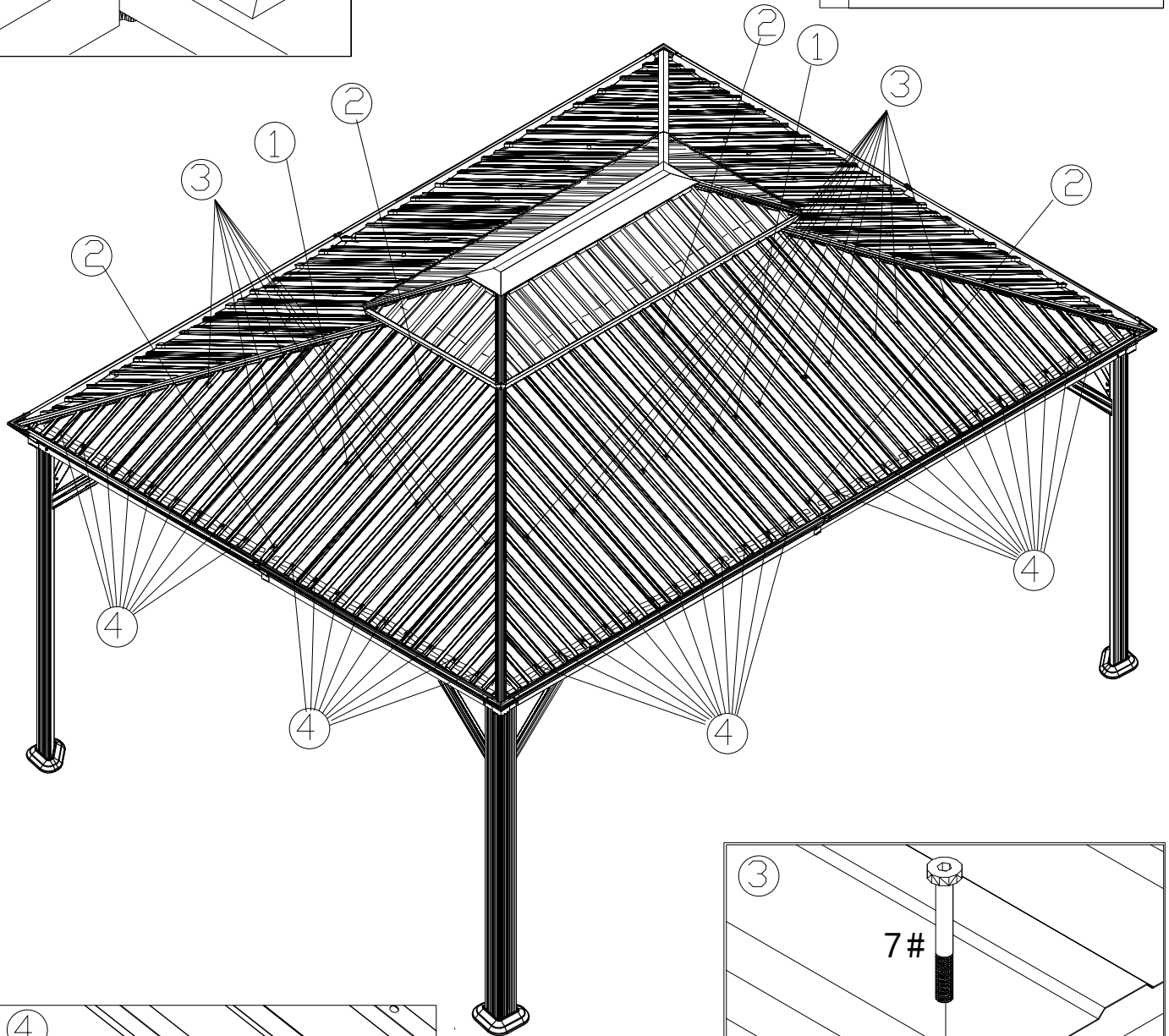
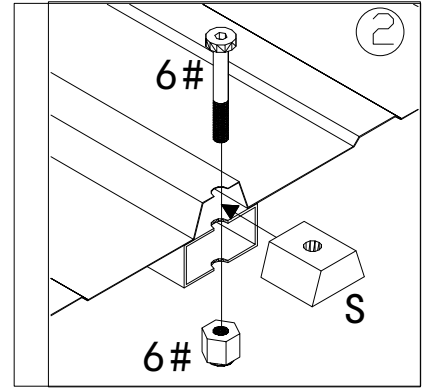
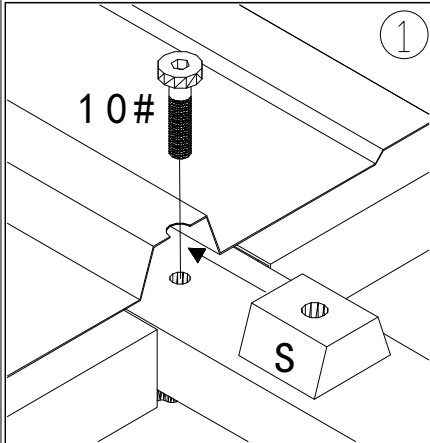
S x136

5# x84

6# x8

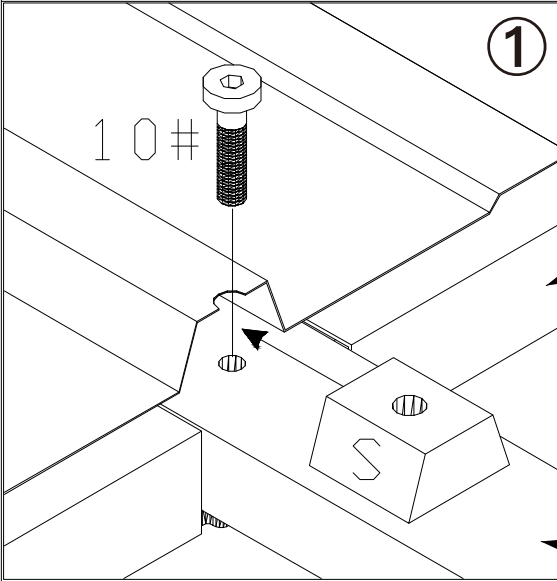
7# x40

10# x4



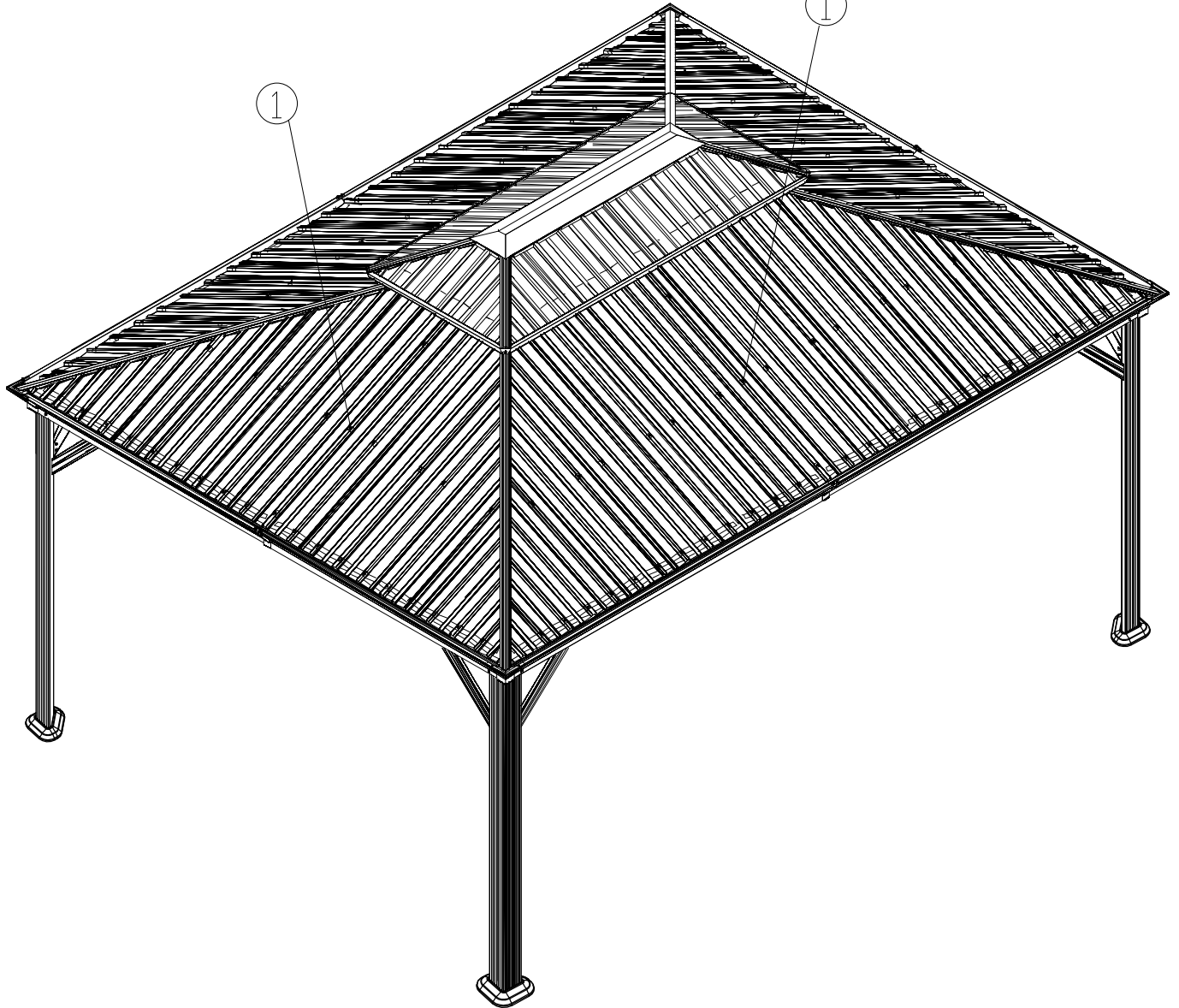
S x4

10#
x4



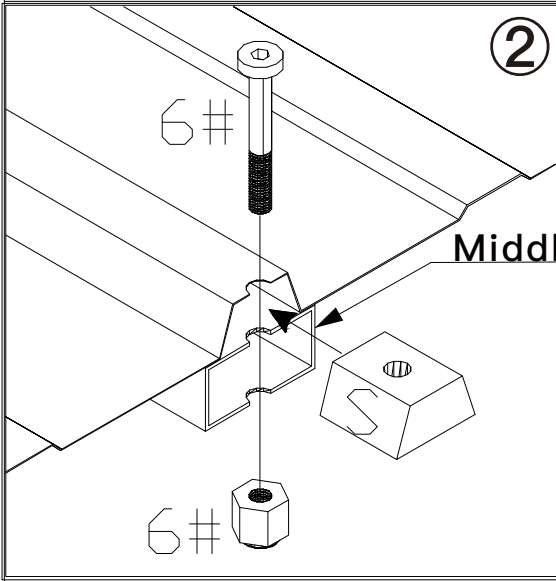
Solidifying Bar

Middle Roof Tube

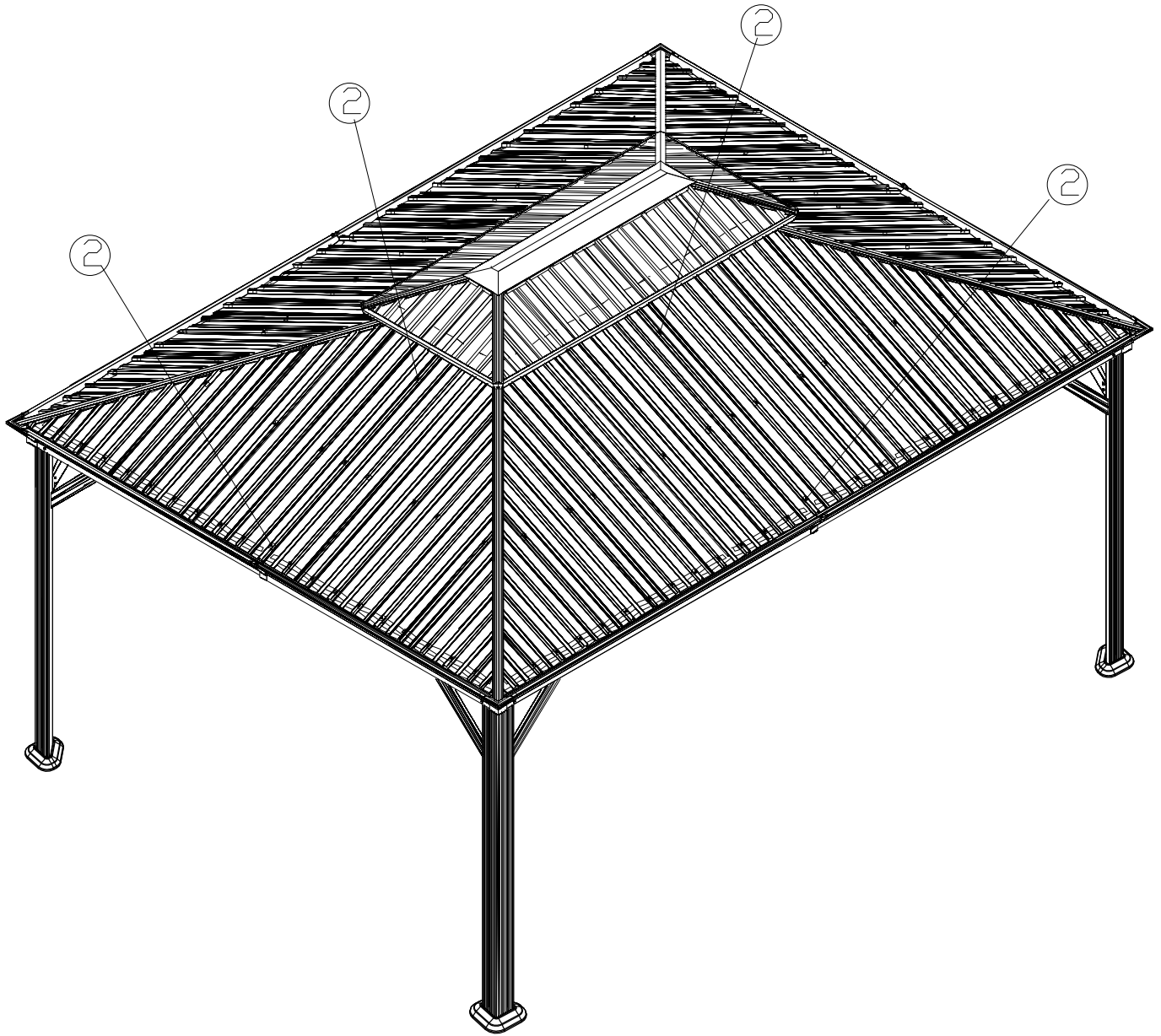


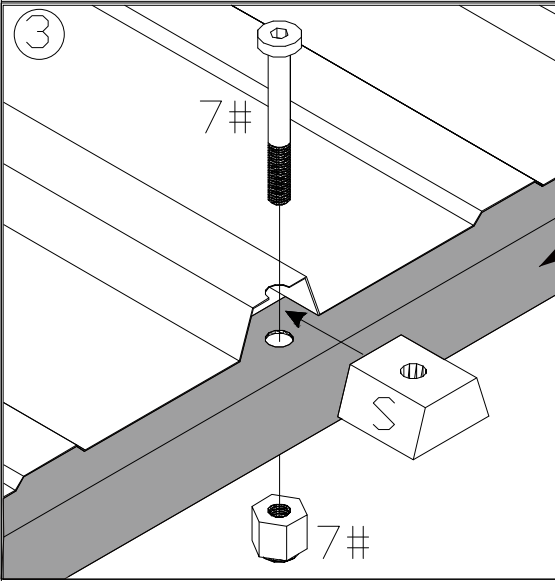
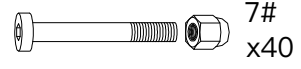
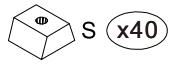
S x8

6#
x8

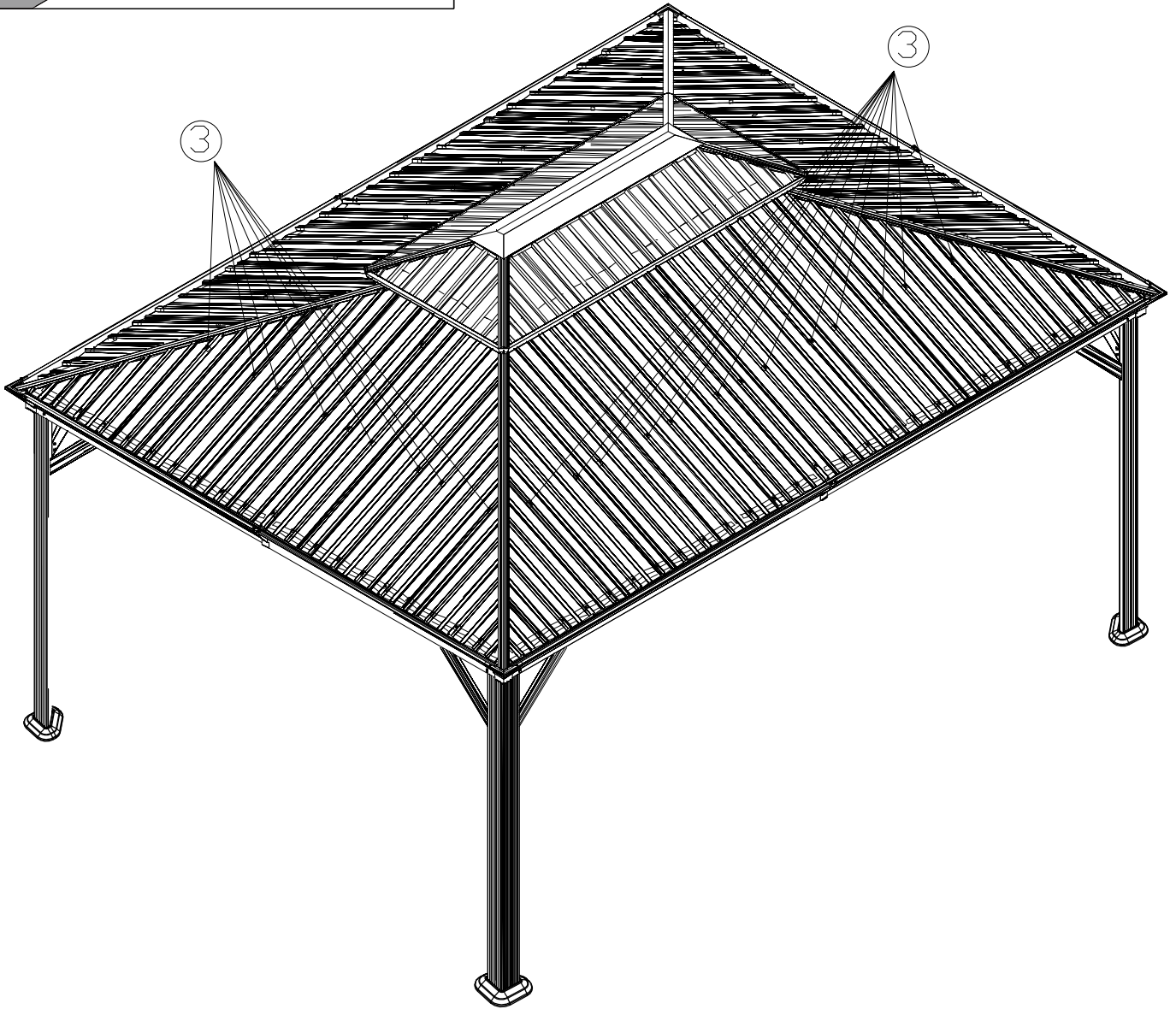


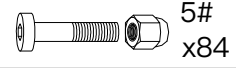
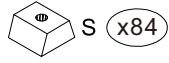
Middle Roof Tube



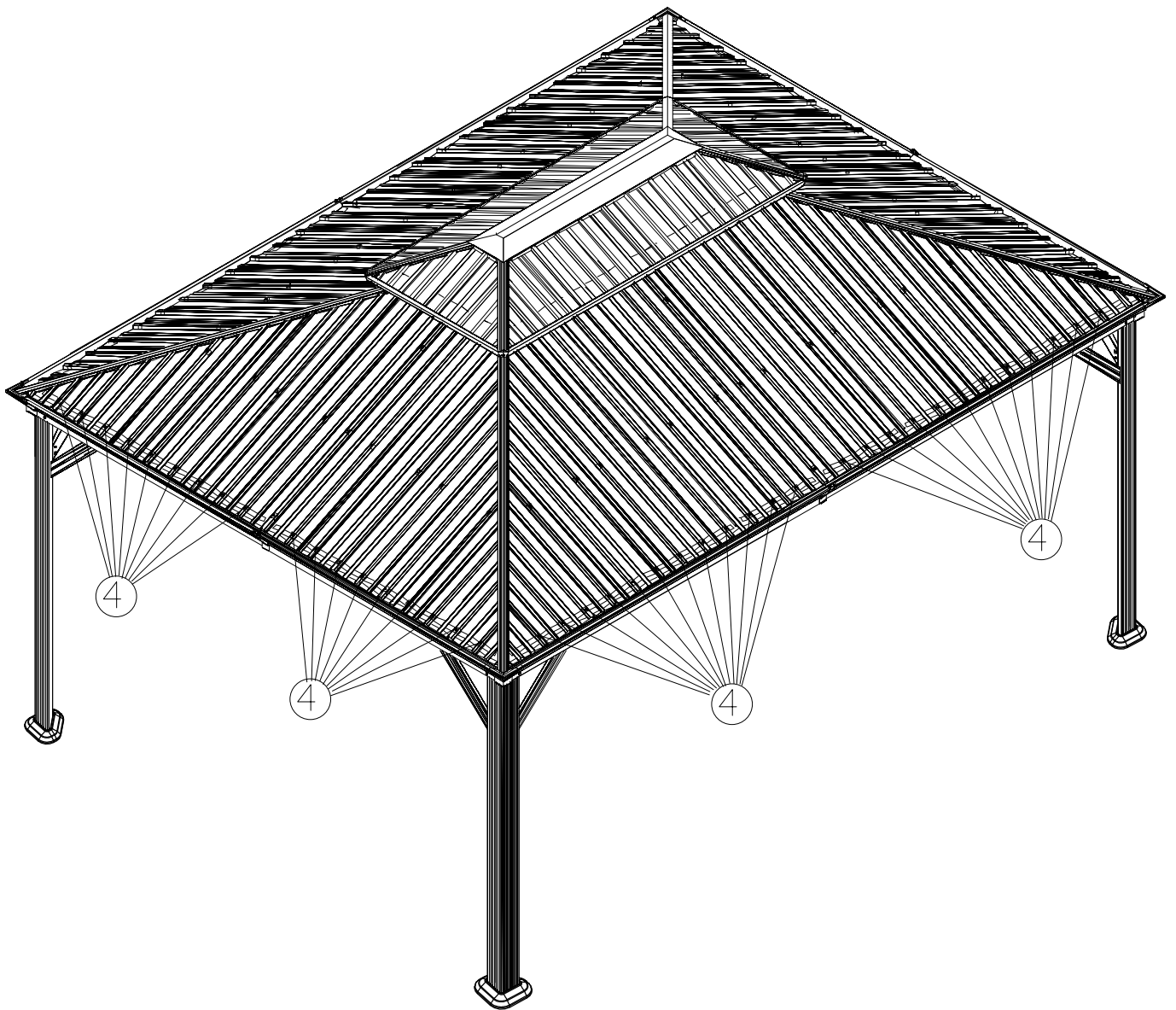
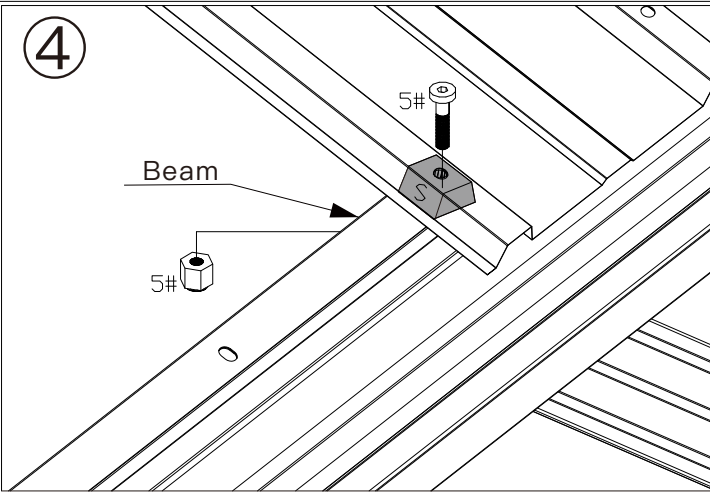


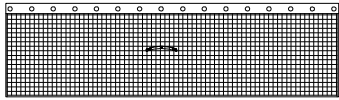
Solidifying Bar



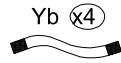


4

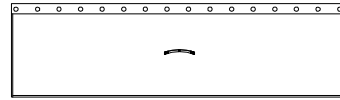




Y (x4)

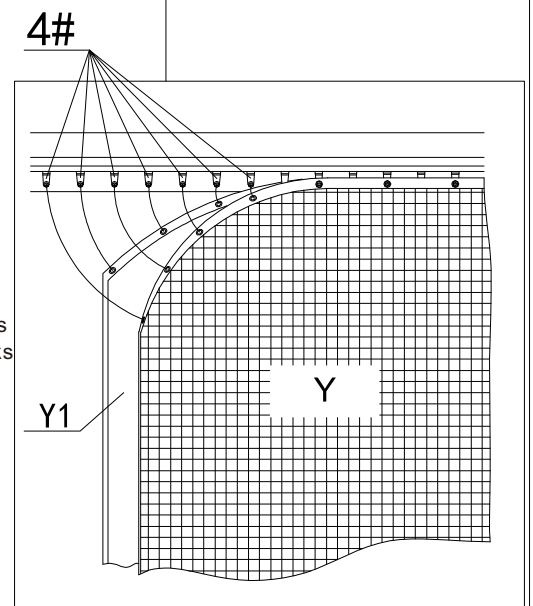
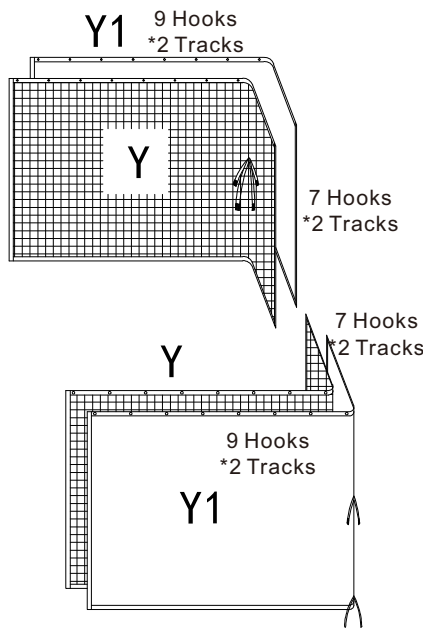
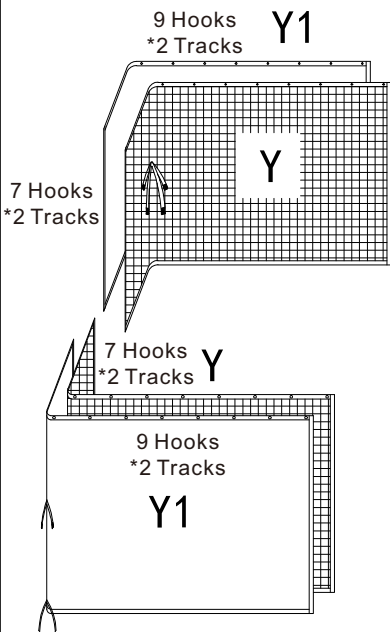
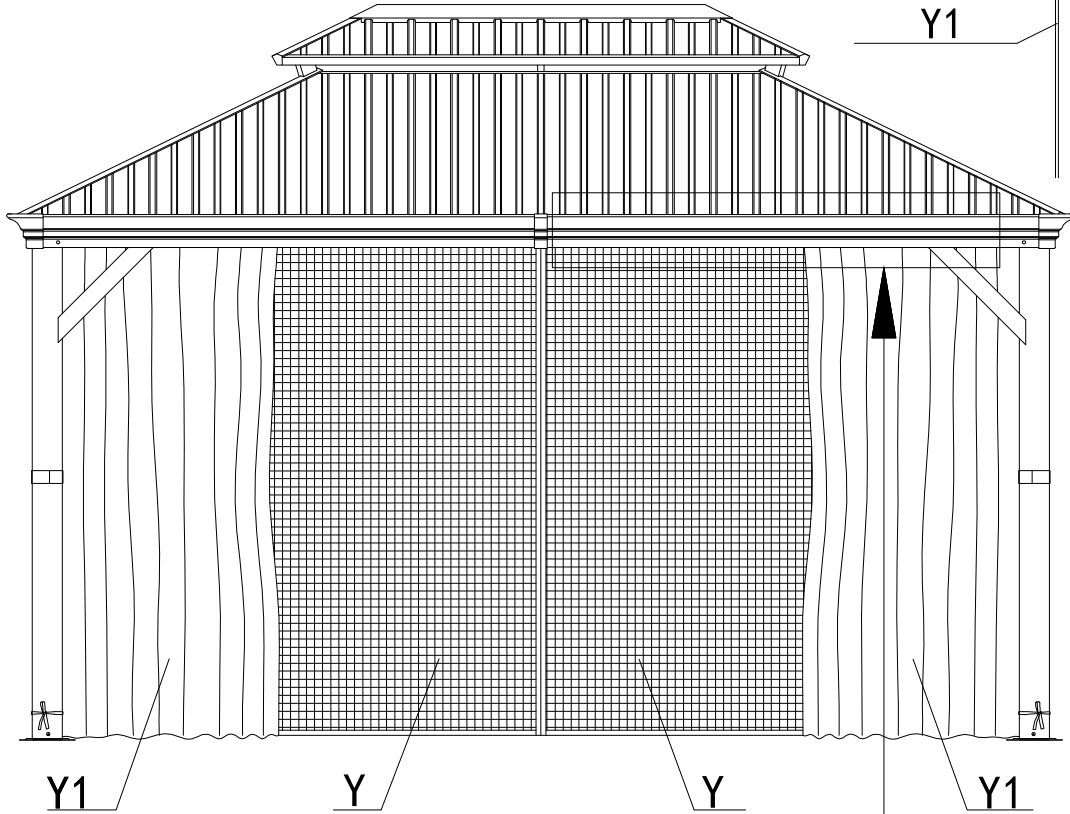
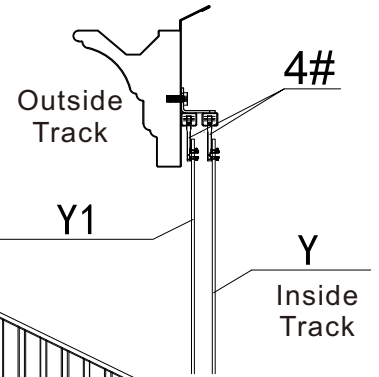


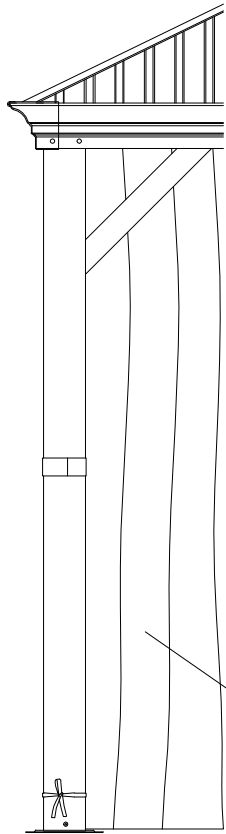
Yb (x4)



Y1 (x4)

MOSQUITO NETTING AND SOLID SIDEWALL ASSEMBLY:

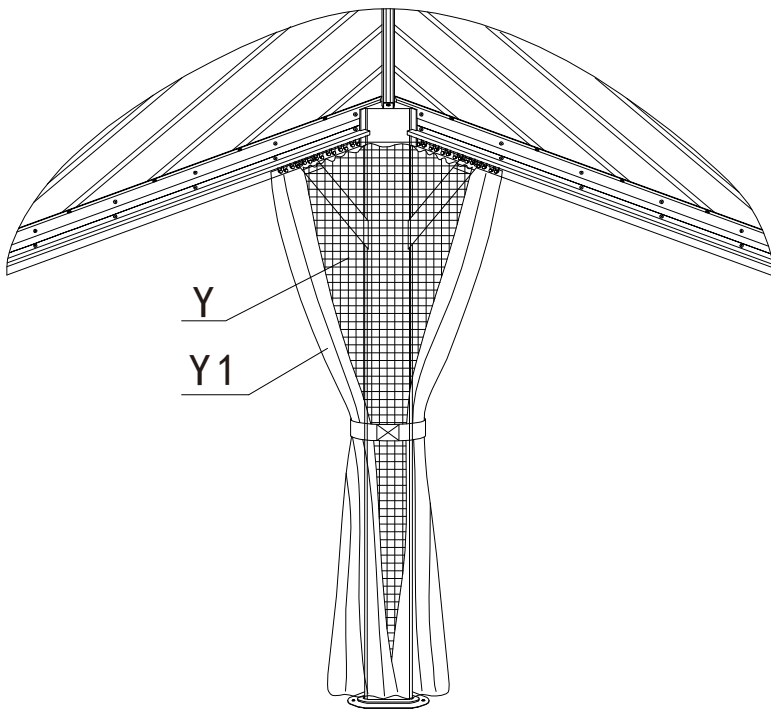
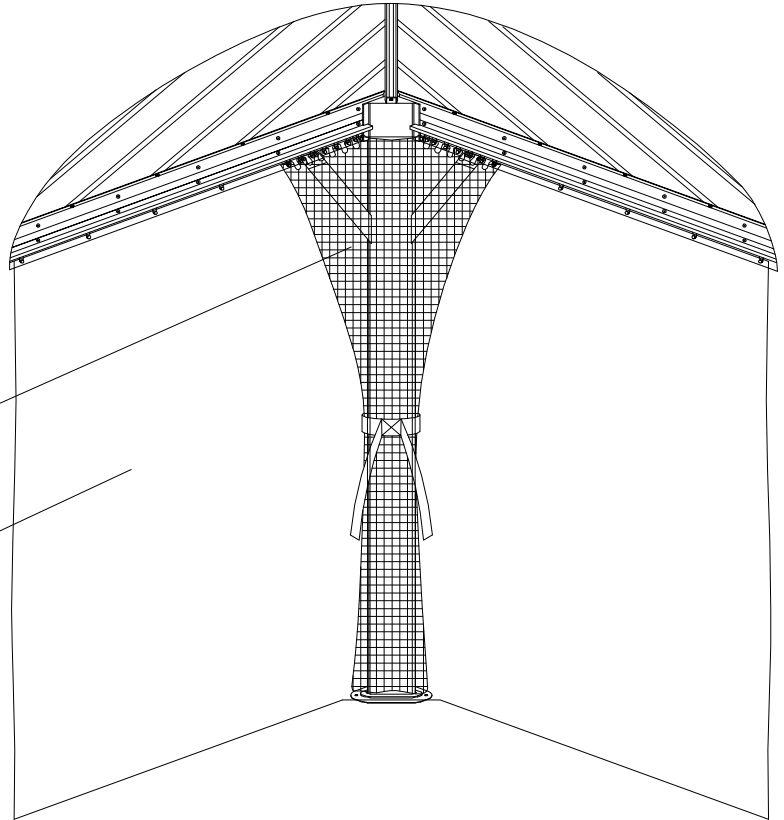




Y1

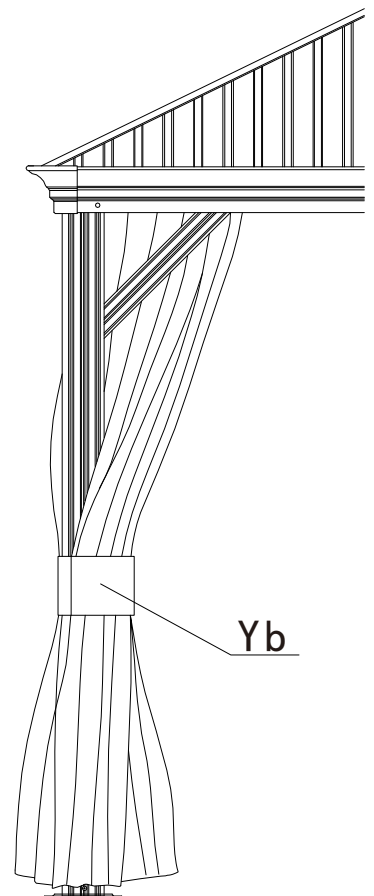
Y1

Y



Y

Y1



Yb

Please close your gazebo curtain when it is incoming over 30 mph wind, and tie with Strap #Yb.



Thanks for your purchase.

At domi outdoor living, we believe in our products.

That's why we provide a 12-month warranty and friendly, easy-to-reach after-sales service. So, if you have any questions about our product or assembly, please feel free to contact us. We are here for you.

Support:  

After-sales contact email:

service@domioutdoorliving.com

Business cooperation contact email:

marketing@domioutdoorliving.com

Please have your order ID available if you reach out for support.

If you have damaged parts or product, please send us photos for an immediate response.