

## Features

- Single lever handle is simple to use and makes adjusting water temperature easy.
- High-arch swivel spout offers superior clearance for filling pitchers and cleaning.
- KOHLER ceramic disc valves exceed industry longevity standards for a lifetime of durable performance.
- Two-function pull-down sprayhead allows you to switch from aerated stream to Sweep® spray.
- Sweep® spray features specially angled nozzles that form a wide, powerful blade of water to sweep your dishes and sink clean.
- MasterClean™ sprayface features an easy-to-clean surface that withstands mineral buildup.
- Includes soap/lotion dispenser.
- 1.5 gpm (5.7 lpm) maximum flow rate at 60 psi (4.14 bar).
- DockNetik® secured docking system locks sprayhead into place when not in use.

## Material

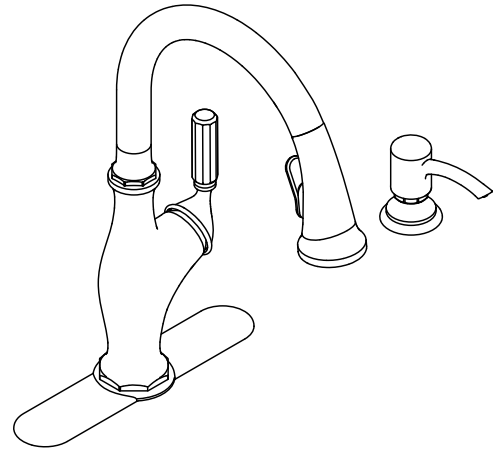
- Premium metal construction for durability and reliability.
- Select KOHLER finishes feature ScratchShield® technology which withstands even the toughest daily use.

## Installation

- Installs with 1-, 2-, 3-, or 4- hole sink (escutcheon plate included).
- Flexible supply lines and quick-connect fittings simplify installation.
- Longer shank works with countertops up to 2½" inches thick and is easy to install.

## Recommended Products/Accessories

K-23723 Faucet cleaner



ADA

CSA B651

## Codes/Standards

ASME A112.18.1/CSA B125.1

NSF/ANSI 61

NSF/ANSI 372

All applicable US Federal and State material regulations

DOE - Energy Policy Act 1992

California Energy Commission (CEC)

ADA

ICC/ANSI A117.1

CSA B651

## KOHLER® Faucet Lifetime Limited Warranty

See website for detailed warranty information.

## Available Colors/Finishes

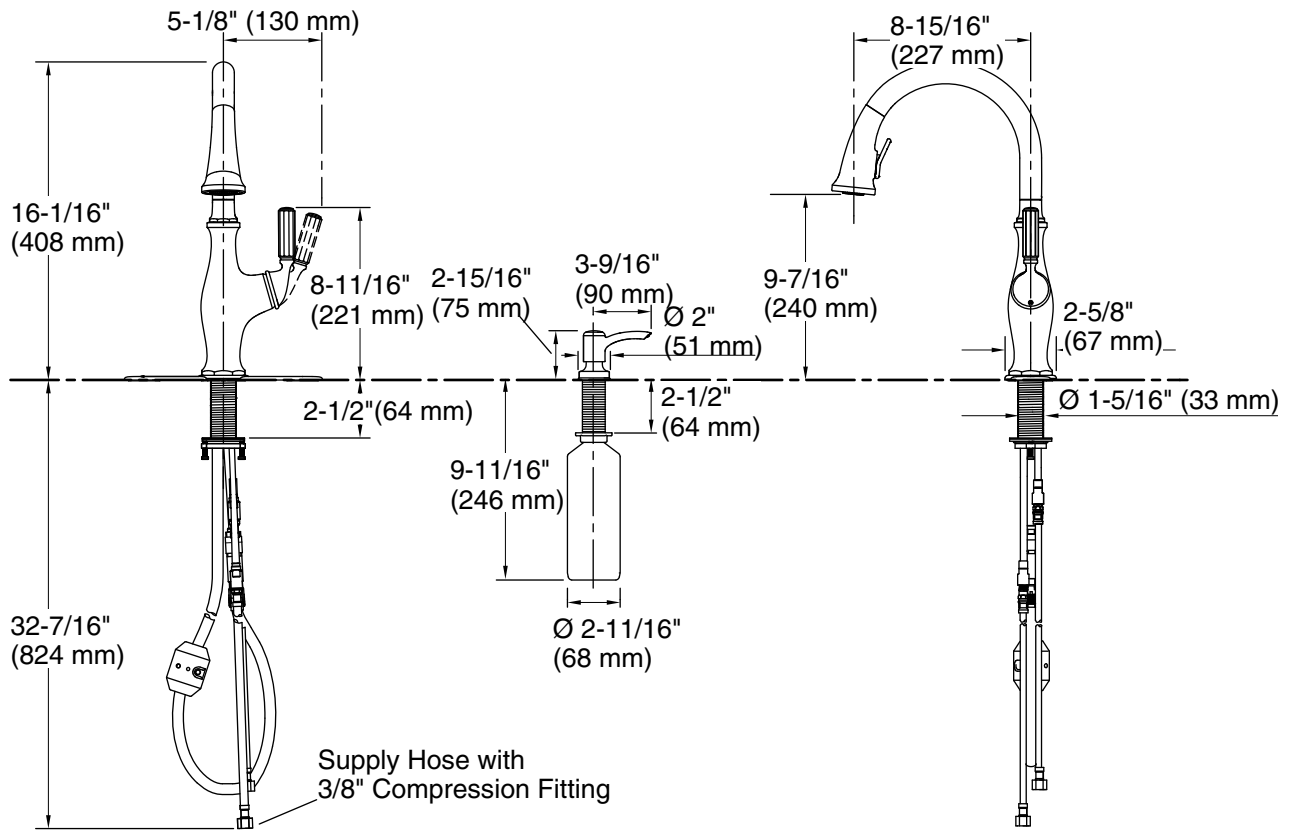
*Color tiles intended for reference only.*

### Color Code Description



VS Vibrant® Stainless

2BZ Oil-Rubbed Bronze



### Technical Information

All product dimensions are nominal.

Valve body: Machined-brass

### Spout:

Spout reach: 8-15/16" (227 mm)

### Notes

Install this product according to the installation guide.

ADA complaint for faucet handles only.

ADA, CSA B651 compliant when installed to the specific requirements of these regulations.