

MICROWAVE OVEN

INSTRUCTION MANUAL

Model: FMO16GZBKSS



Read these instructions carefully before using your microwave oven. If you follow the instructions, your oven will provide you with many years of good service.

SAVE THESE INSTRUCTIONS CAREFULLY

(rev. 8/26/2025 GAL)

FARBERWARE®

PRECAUTIONS TO AVOID POSSIBLE EXPOSURE TO EXCESSIVE MICROWAVE ENERGY

1. Do not attempt to operate this oven with the door open since open-door operation can result in harmful exposure to microwave energy. It is important not to defeat or tamper with the safety interlocks.
2. Do not place any object between the oven front face and the door or allows soil or cleaner residue to accumulate on sealing surfaces.
3. Do not operate the oven if it is damaged. It is particularly important that the oven door close properly and that there is no damage to the:
 - a. DOOR (bent)
 - b. HINGES AND LATCHES (broken or loosened)
 - c. DOOR SEALS AND SEALING SURFACES
4. The oven should not be adjusted or repaired by anyone except properly qualified service personnel.

FARBERWARE®

Table of Contents

SAFETY INSTRUCTIONS.....	1
GROUNDING INSTRUCTIONS	3
INSTALLATION GUIDE.....	4
SPECIFICATIONS.....	7
PRODUCT DIAGRAM	8
CONTROL PANEL.....	9
OPERATION INSTRUCTIONS	10
MAINTENANCE	14
WARRANTY INFORMATION	15

IMPORTANT SAFETY INSTRUCTIONS

When using electrical appliances basic safety precautions should be followed, including the following:

WARNING - To reduce the risk of burns, electric shock, fire, injury to persons or exposure to excessive microwave energy:

1. Read all instructions before using the appliance.
2. Read and follow the specific "PRECAUTIONS TO AVOID POSSIBLE EXPOSURE TO EXCESSIVE MICROWAVE ENERGY".
3. This appliance must be grounded. Connect only to properly grounded outlet. See "GROUNDING INSTRUCTIONS" on page 3.
4. Install or locate this appliance only in accordance with the provided installation instructions.
5. Do not operate the oven when empty.
6. Some products such as whole eggs and sealed containers -for example, closed glass jars- are able to explode and should not be heated in this oven.
7. Use this appliance only for its intended use as described in this manual. Do not use corrosive chemicals or vapors in this appliance. This type of oven is specifically designed to heat, cook, or dry food. It is not designed for industrial or laboratory use.
8. **HOT CONTENTS CAN CAUSE SEVERE BURNS. DO NOT ALLOW CHILDREN TO USE THE MICROWAVE.** Use caution when removing hot items.
9. To reduce the risk of fire in the oven cavity:
 - a. Do not overcook food. Carefully attend appliance when paper, plastic, or other combustible materials are placed inside the oven to facilitate cooking.
 - b. Remove wire twist-ties from paper or plastic bags before placing bag in oven.
 - c. If materials inside the oven should ignite, keep oven door closed, turn oven off, and disconnect the power cord or shut off power at the fuse or circuit breaker panel.
 - d. Do not use the cavity for storage purposes. Do not leave paper products, cooking utensils or food in the cavity when not in use.
10. Liquids, such as water, coffee, or tea are able to be overheated beyond the boiling point without appearing to be boiling due to surface tension of the liquid. Visible bubbling or boiling when the container is removed from the microwave oven is not always present. **THIS COULD RESULT IN VERY HOT LIQUIDS SUDDENLY BOILING OVER WHEN A SPOON OR OTHER UTENSIL IS INSERTED INTO THE LIQUID.** To reduce the risk of injury to person:
 - a. Do not overheat the liquid.
 - b. Stir the liquid both before and halfway through heating it.
 - c. Do not use straight-sided containers with narrow necks.
 - d. After heating, allow the container to stand in the microwave oven for a short time before removing the container.
11. Do not heat oil or fat for deep-frying. It is difficult to control the temperature of oil in microwave oven.

FARBERWARE®

12. Do not cover or block any openings on the appliance.
 13. Do not store or use this appliance outdoors. Do not use this product near water, for example, near a kitchen sink, in a wet basement, near a swimming pool, or similar locations.
 14. Do not operate this appliance if it has a damaged cord or a plug, if it is not working properly or if it has been damaged or dropped.
 15. Do not immerse cord or plug in water. Keep cord away from heated surface. Do not let cord hang over edge of table or counter.
 16. This appliance should be serviced only by qualified service personnel, contact nearest authorized service facility for examination, repair, or adjustment.
 17. When cleaning surfaces of door and oven that comes together on closing the door, use only mild, nonabrasive soaps, or detergents applied with a sponge or soft cloth.
 18. This equipment has been tested and found to comply with Part 18 of the FCC Rules. Operation is subject to the following two conditions:
 1. This device may not cause harmful interference, and
 2. this device must accept any interference received, including interference that may cause undesired operation.
- CAUTION:** Changes or modifications not expressly approved by the party responsible for compliance could void the user's authority to operate the product.
19. This equipment generates, uses and can radiate radio frequency energy and, if not installed and used in accordance with the instructions, may cause harmful interference to radio communications. However, there is no guarantee that interference will not occur in a particular installation. If this equipment does cause harmful interference to radio or television reception, which can be determined by turning the equipment off and on, the user is encouraged to try to correct the interference by one or more of the following measures:
 - Reorient or relocate the receiving antenna.
 - Increase the separation between the equipment and receiver.
 - Connect the equipment into an outlet on a circuit different from that to which the receiver is connected.
 - Consult the dealer or an experienced radio/TV technician for help.

SAVE THESE INSTRUCTIONS

GROUNDING INSTRUCTIONS

This appliance must be grounded. In the event of an electrical short circuit, grounding reduces risk of electric shock by providing an escape wire for the electric current. This appliance is equipped with a cord having a grounding wire with a grounding plug. The plug must be plugged into an outlet that is properly installed and grounded.

WARNING!-- Improper use of the grounding plug can result in a risk of electric shock. Consult a qualified electrician or serviceman if the grounding instructions are not completely understood, or if doubt exists as to whether the appliance is properly grounded, and if it is necessary to use an extension cord, use only a 3-wire extension cord that has a 3-blade grounding plug and a 3-slot receptacle that will accept the plug on the appliance. The marked rating of the extension cord shall be equal to or greater than the electrical rating of the appliance.

Improper use of the grounding can result in electric shock. Do not plug into an outlet until appliance is properly installed and grounded.

Electrical Requirements

The electrical requirements are a 120 volt 60 Hz, AC only, 20 amp. It is recommended that a separate circuit serving only the oven be provided. The oven is equipped with a 3-prong grounding plug. It must be plugged into a wall outlet properly installed and grounded.

Power Cord

1. A short power supply cord is provided to reduce the risks resulting from becoming entangled in or tripping over a longer cord.
2. Longer cord sets or extension cords are available and may be used if care is exercised in their use.
3. If long cord or extension cord is used
 - a. The marked electrical rating of the cord set or extension cord should be at least as great as the electrical rating of the appliance.
 - b. The extension cord must be a grounding-type 3-wire cord, and The longer cord should be arranged so that it will not drape over the counter top or table top where it can be pulled on by children or tripped over unintentionally.

INSTALLATION GUIDE

1. Make sure that all the packing materials are removed from the inside of the door.
2. This microwave oven must be placed on a flat.
3. For correct operation, the oven must have sufficient air flow. Allow 20cm of space above the oven, 10cm at back and 5cm at both sides. Do not cover or block any openings on the appliance. Do not remove feet on which oven stands.
4. Do not operate the oven without glass tray, roller support, and shaft in their proper positions.
5. Make sure that the power cord is undamaged and does not run under the oven or over any hot or sharp surface.
6. The socket must be readily accessible so the microwave oven can be easily unplugged in an emergency.

COOKING UTENSILS GUIDE

This section lists which utensils can be used in this microwave, which have limited use for short periods, and which should not be used in this microwave.

RECOMMENDED

Utensils	Remarks
Microwave browning dish	Use to brown the exterior of small items such as steaks, chops, or pancakes. Follow the directions provided with your browning dish.
Microwaveable plastic wrap	Use to retain steam. Leave a small opening for some steam to escape and avoid placing it directly on the food.
Paper towels and napkins	Use for short-term heating and covering; these absorb excess moisture and prevent spattering. Do not use recycled paper towels, which may contain metal and could ignite.
Glass and glass-ceramic bowls and dishes	Use for heating or cooking.
Paper plates and cups	Use for short-term heating at low temperatures. Do not use recycled paper, which may contain metal and could ignite.
Wax paper	Use as a cover to prevent spattering.
Thermometers	Use only those labeled "Microwave Safe" and follow all directions. Check the food in several places. Conventional thermometers may be used on microwave food once the food has been removed from the oven.

FARBERWARE®

LIMITED USE

Utensils	Remarks
Aluminum foil	Use narrow strips of foil to prevent overcooking of exposed areas. Using too much foil can damage your oven, so be careful. You should keep distance of 1 inch (2.54cm) between aluminum foil and cavity.
Ceramic, porcelain, and stoneware	Use these if they are labeled "Microwave Safe". If they are not labeled, test them to make sure they can be used safely.
Plastic	Use only if labeled "Microwave Safe". Other plastics can melt.

NOT RECOMMENDED

Utensils	Remarks
Glass jars and bottles	Regular glass is too thin to be used in a microwave. It can shatter and cause damage and injury.
Paper bags	These are a fire hazard, except for popcorn bags that are designed for microwave use.
Styrofoam plates and cups	These can melt and leave an unhealthy residue on food.
Plastic storage and food containers	Containers such as margarine tubs can melt in the microwave.
Metal utensils	These can damage your oven. Remove all metal before cooking.

NOTE:

Should you wish to check if a dish is safe for microwaving, place the empty dish in the oven and microwave on HIGH for 30 seconds. A dish which becomes very hot should not be used.

SPECIFICATIONS

Model:	FMO16GZBKSS
Power Consumption	120V/60Hz, 1500W(microwave)
Output	1100W
Input	1500W
Operation Frequency	2450MHz
Outside Dimensions(H x W x D)	12.13 x 21.58 x 18.42 in.
Oven Capacity	1.6cu.ft.
Net Weight	Approx.38.5lbs

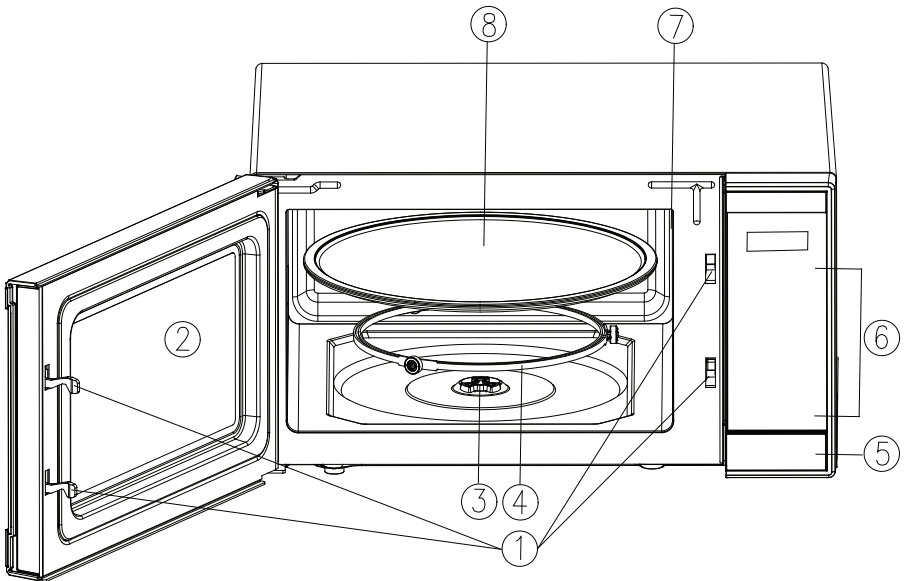


WARNING:

This product can expose you to chemicals including Phthalates or other chemicals which are known to the State of California to cause cancer, birth defects and other reproductive harm.

For more information, visit www.P65Warnings.ca.gov

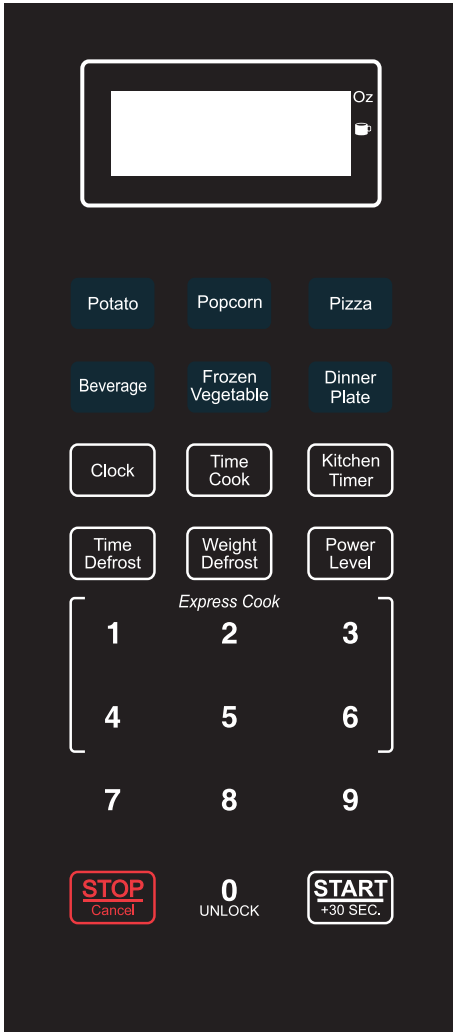
PRODUCT DIAGRAM



1. Door Safety Lock System
2. Oven Window
3. Shaft
4. Roller Ring
5. Door Release Button

6. Control Panel
7. Wave Guide (Please do not remove the mica plate covering the wave guide)
8. Glass Tray

CONTROL PANEL



- **MENU ACTION SCREEN** - Time, power and indicators are displayed.
- **AUTO COOK MENUS** - Instant settings to cook popular foods
- **CLOCK** - Press to set clock time.
- **TIME COOK** - Press to set microwave cooking program.
- **KITCHEN TIMER** - Press to set timer function.
- **TIME DEFROST** - Press to defrost food based on time.
- **WEIGHT DEFROST** - Press to defrost food based on weight.
- **POWER LEVEL** - Press to select microwave cooking power level.
- **NUMBER BUTTONS (0-9)** - Press to set time or food weight. But use number buttons from 1 to 6 to set express cooking program.
Use number button "0" to set child safety lock.
Use number button "8" to set memory function.
- **STOP/CANCEL** - Press once to temporarily stop cooking, or twice to cancel cooking altogether. It is also used to set control panel lock.
- **START/+30 SEC.** - Press to start cooking programs. Simply press it a number of times to set cooking time and cook immediately at full power level.

OPERATION INSTRUCTIONS

- » When the oven is first plugged in, a beep will sound and the display screen will show "0:00".
- » During setting, the system will return to standby mode if there is not any operation within 60 seconds.
- » During cooking, if press STOP/CANCEL button once, the program will be paused, then press START/+30 SEC. button to resume. But if press STOP/CANCEL button twice, the program will be cancelled.
- » After cooking ends, the display screen will show End and beep will sound every two minutes until user press STOP/CANCEL button or open the door.
- » In the process of operation, press a valid button, the buzzer rings once, but if press a invalid button, the buzzer rings twice.

DEACTIVATING AND REACTIVATING CHILD SAFETY LOCK

To reactivate the child safety lock function after deactivating:

When in standby mode and the electromagnetic lock is deactivating, press and hold number button "0" for 2 seconds, the display screen will show "ULoc". Press the number buttons "7" and "9" in sequence, the display screen will show "Loc". After 1 second, the system will return to the standby mode, and then turn on the electromagnetic lock function.

To deactivate the child safety lock function:

When in standby mode and the electromagnetic lock is activating, press and hold number button "0" for 2 seconds, the display screen will show "Loc". Press number buttons "7" and "9" in sequence, the display screen will show "ULoc". After 1 second, the system will return to the standby mode, and the electromagnetic function will be disabled at this time.

NOTE:

- If setting the electromagnetic lock is not completed within 10 seconds, the setting is unsuccessful and the system returns standby mode.
- The initial state is in the enabling state, and the electromagnetic lock setting status will not be changed when power on again after power outage.
- When the electromagnetic lock function is deactivating, the door can be opened and closed normally.

HOW DOES THE SAFETY LOCK FUNCTIONS

- In standby mode:
The oven door can be opened and closed normally.
- During cooking:
 - Locking during cooking cannot directly open the door.
 - Press number button "0" once to unlock the electromagnetic lock and pause cooking work. If the door does not opened within 10 seconds, the electromagnetic lock will automatically lock. If the door is not opened for 30 minutes, the electromagnetic lock will unlock automatically.
 - Press STOP/CANCEL button once to pause cooking and unlock the electromagnetic lock. If the door is not opened for 10 seconds, the electromagnetic lock will lock automatically. If the door is not opened for 30 minutes, the electromagnetic lock will unlock automatically.
 - Press number button "0" once, then open the door, the electromagnetic lock does not need to be locked again until the next cooking.

c. Cooking ends state:

- After cooking ends, the buzzer will emit four beeps of “DE -” and beep will sound every 2 minutes, the display screen will show “End” and switch to “Loc” every 5 seconds. Press STOP/CANCEL or open the oven door, the system will return to standby mode or automatically return to standby after 30 minutes of no operation.
- Press number button “0” once to unlock the electromagnetic lock. If the door does not opened within 10 seconds, the electromagnetic lock will automatically lock. If the door does not opened within 30 minutes, the electromagnetic lock will unlock automatically.
- Press number button “0” once and open the door, and the electromagnetic lock does not need to be locked again until the next cooking.
- Press STOP/CANCEL button once to unlock the electromagnetic lock, and the display screen shows clock time. If the door is not opened for 10 seconds, the display screen will show “Loc”, which can be set normally. During setting, if the setting is not completed for 60 seconds, the display screen will show “Loc”. Open the door once or after 30 minutes, the display screen will show clock time and the system will return to standby mode.

NOTE:

- If the electromagnetic lock function is in disabled mode, pressing number button “0” in the above state will result in an invalid sound.
- In electromagnetic start mode, when the door is closed and press the “0” button once, the electromagnetic lock action once.

SETTING THE CLOCK

This is a 12- hour clock.

1. In standby mode, press CLOCK button once.
2. Use number buttons to set the correct time.
3. Press CLOCK or START/+30 SEC. button to confirm.

NOTE: During cooking, you can check clock time by pressing CLOCK button.

SETTING THE KITCHEN TIMER

1. In standby mode, press KITCHEN TIMER button once.
2. Use number buttons to set the desired time. The longest time is 99 minutes and 99 seconds.
3. Press KITCHEN TIMER or START/+30 SEC. button to confirm.

NOTE:

- When the countdown ends, the buzzer will beep to remind you.
- The timer is independent of other functions, including microwave cooking, defrosting, auto cooking menus, etc. When using the timer, other functions cannot be set, and when using other functions, the timer cannot be set.

EXPRESS COOKING

Directly in standby mode, when you press a number button (1, 2, 3, 4, 5 or 6) once, The system starts the cooking program directly with the corresponding time (respectively 1 minute, 2 minutes, 3 minutes, 4 minutes, 5 minutes and 6 minutes). The microwave oven will start to cook at full power level.

+30 SEC. FUNCTION

Use this feature to program the oven to microwave food at 100% power conveniently. In standby mode, press START/+30 SEC. button repeatedly to set cooking time (each press to increase 30 seconds, and up to 99 minutes and 99 seconds), the oven will start automatically at 100% high power level.

FARBERWARE®

NOTE: During microwave cooking and express cooking, you can add cooking time by pressing START/+30 SEC. button. The longest time is 99 minutes and 99 seconds.

MICROWAVE COOKING

1. In standby mode, press TIME COOK button once.
2. Use number buttons to set cooking time. The longest time is 99 minutes and 99 seconds.
3. Press POWER LEVEL button and then press the number pad to set power level.
4. Press START/+30 SEC. button to start.

Use single digit to set power level:

Press number pad	Power (Display)	Press number pad	Power (Display)
1,0	100% (PL10)	5	50% (PL 5)
9	90% (PL 9)	4	40% (PL 4)
8	80% (PL 8)	3	30% (PL 3)
7	70% (PL 7)	2	20% (PL 2)
6	60% (PL 6)	1	10% (PL 1)

NOTE: During cooking, the current power level can be seen by pressing POWER LEVEL button.

TIME DEFROST

1. In standby mode, press TIME DEFROST button once.
2. Use number buttons to set defrosting time. The longest time is 99 minutes and 99 seconds.
3. Press START/+30 SEC. button to start.

NOTE: During defrosting, the system will sound to remind user to turn food over.

WEIGHT DEFROST

The time and the defrosting power are adjusted automatically once the weight is programmed. The frozen food weight ranges from 4 oz to 100 oz.

1. Press WEIGHT DEFROST button once.
2. Use number buttons to set food weight.
3. Press START/+30 SEC. button to start.

NOTE: During defrosting, the system will sound to remind user to turn food over.

MULTISTAGE COOKING

Your oven can be programmed up to 2 automatic cooking sequences. It can be composed of time defrost with one microwave cooking program, or composed of two microwave cooking program. Time defrost can only be set in the first sequence.

A. Time defrost with one microwave cooking program:

1. Open the door and place the food into the oven, close it.
2. Press TIME DEFROST button once.
3. Use number buttons to set defrosting time.
4. Input the other microwave cooking program.
5. Press START/+30 SEC. button to confirm.

B. Two-stage microwave cooking programs:

1. Some recipes require different stages of cooking at different temperatures.
2. Input the first microwave cooking program. Do not press START/+30 SEC.. button.
3. Input the second microwave cooking program.
4. Press START/+30 SEC. button to start.

AUTO COOK

For the following food or cooking mode, it is not necessary to program the cooking time and power. It is sufficient to indicate the type of food that you wish to cook as well as the weight or servings of the food.

1. In standby mode, press corresponding menu button once or repeatedly to select food weight or servings.
2. Press START/+30 SEC. button to start.

Auto cook menus:

Food	Note
Potato (8 oz/serving, 1-3 servings)	The result of sensor cooking depends on factors such as voltage fluctuation, the shape and size of food, your personal preference as to the doneness of certain foods and even how well you happen to place food in the oven. If you find the result at any rate not quite satisfactory, please adjust the cooking time a little bit accordingly.
Popcorn (1.75 oz, 3.0 oz, 3.5 oz)	
Pizza (4 oz, 8 oz, 14 oz)	
Beverage (4 oz/cup, 1-3 cups)	
Frozen vegetable (4 oz, 8 oz, 16 oz)	
Dinner plate (9 oz, 12 oz, 18 oz)	

MEMORY FUNCTION

This function can help you to start the stored cooking programs directly. The system can store three cooking programs.

To store program:

1. In standby mode, press number button "8" repeatedly, the display screen will show code 1, 2 or 3.
2. Input a cooking program (Can up to 2 two-stage cooking program.).
3. Press START/+30 SEC. button to confirm.
4. Press START/+30 SEC. button to start.

To start the stored cooking program:

1. In standby mode, press number button "8" repeatedly to select the stored cooking program.
2. Press START/+30 SEC. button to start.

NOTE:

- After the system power off, the stored programs will be automatically cleared and need to be re-set and stored by the user.
- Express cooking, auto cooking menus, time defrost and weight defrost cannot be stored.

CONTROL PANEL LOCK

The lock prevents unsupervised operation by children.

To set: In standby mode, press and hold STOP/CANCEL button for 3 seconds, a beep will sound and the display will show “- - -” for 5 seconds, the oven will auto enter child lock mode. In the lock state, all buttons are disabled.

To cancel: Press and hold STOP/CANCEL button for 3 seconds, a beep will sound and the “- - -” will disappear.

BUTTON ADHESION PROTECTION

In any state, if any button on the control panel is adhesion for 60 minutes, the program stops working immediately, the display shows “FAIL” and the system will sound beep. If the button is adhesion all the time, beep will sound every one minute. Any button is invalid at this time. After troubleshooting, press STOP/CANCEL button to return standby mode.

CLEANING AND CARE

1. Turn off the oven and unplug the power cord from the wall when cleaning.
2. Keep the inside of the oven clean. When food splatters or spilled liquids adhere to oven walls, wipe with a damp cloth. Mild detergents may be used if the oven gets very dirty. Avoid using spray or other harsh cleaners. They may stain, streak or dull the door surface.
3. The outside of the oven should be cleaned with a damp cloth. To prevent damage to the operating parts inside the oven, water should not be allowed to seep into the ventilation openings.
4. Wipe the door and window on both sides, the door seals and adjacent parts frequently with a damp cloth to remove any spills or spatters. Do not use abrasive cleaner.
5. Do not allow the control panel to become wet. Clean with a soft, damp cloth. When cleaning the control panel, leave oven door open to prevent oven from accidentally turning on.
6. If steam accumulates inside or around the outside of the oven door, wipe with a soft cloth. This may occur when the microwave oven is operated under high humidity condition. And it is normal.
7. It is occasionally necessary to remove the glass tray for cleaning. Wash the tray in warm sudsy water or in a dishwasher.
8. The roller ring and oven floor should be cleaned regularly to avoid excessive noise. Simply wipe the bottom surface of the oven with mild detergent. The roller ring may be washed in mild, soapy water or in a dishwasher. When removing the roller ring, be sure to replace it in the proper position.
9. Remove odors from your oven by combining a cup of water with the juice and skin of one lemon in a microwaveable bowl. Microwave for 5 minutes. Wipe thoroughly and dry with a soft cloth.
10. If the light bulb burns out, please contact customer service to have it replaced.
11. The oven should be cleaned regularly and any food deposits should be removed. Failure to maintain the oven in a clean condition could lead to deterioration of surface that could adversely affect the life of the unit and could possibly result in a hazardous situation.
12. Please do not dispose of this appliance into the domestic rubbish bin; it should be disposed to the particular disposal center provided by the municipalities.

ONE YEAR LIMITED WARRANTY

This warranty applies to products purchased and used in the U.S and Canada.

This is the only express warranty for this product and is in lieu of any other warranty or condition.

This product is warranted to be free from defects in material and workmanship for a period of one (1) year from the date of original purchase. This warranty is valid for the original retail purchaser or gift recipient from the date of initial retail purchase and is not transferable.

Keep your original sales receipt as proof of purchase is required to make a warranty claim.

IMPORTANT: This warranty does not cover damages resulting from use not in conformity with the printed directions, accident, misuse or abuse, alternation, the affixing of any attachments not provided with the product, loss of parts, or subjecting the appliance to any but the specified voltage. (Read directions carefully.) This warranty is void if the product is used for other than single-family household use or subjected to any voltage and waveform other than as specified on the rating label (e.g., 120V ~ 60 Hz).

Englewood Marketing Group LLC excludes all claims for special, incidental, and consequential damages caused by breach of express or implied warranty. All liability is limited to the amount of the purchase price. **Every implied warranty, including any statutory warranty or condition of merchantability or fitness for a particular purpose, is disclaimed except to the extent prohibited by law, in which case such warranty or condition is limited to the duration of this written warranty.** This warranty gives you specific legal rights. You may have other legal rights that vary depending on where you live. Some states or provinces do not allow limitations on implied warranties or special, incidental, or consequential damages, so the foregoing limitations may not apply to you.

To make a warranty claim or if service is required, please call our CUSTOMER SERVICE NUMBER.

Product registration is not mandatory. Failure to complete and return the card or form does not diminish the consumer's warranty rights.

For faster service, please have the model, type, and series numbers ready for the operator to assist you.

Customer Service Number
Englewood Marketing Group LLC
In the US 844-918-0509

Email: CustomerService@emllc-USA.com

