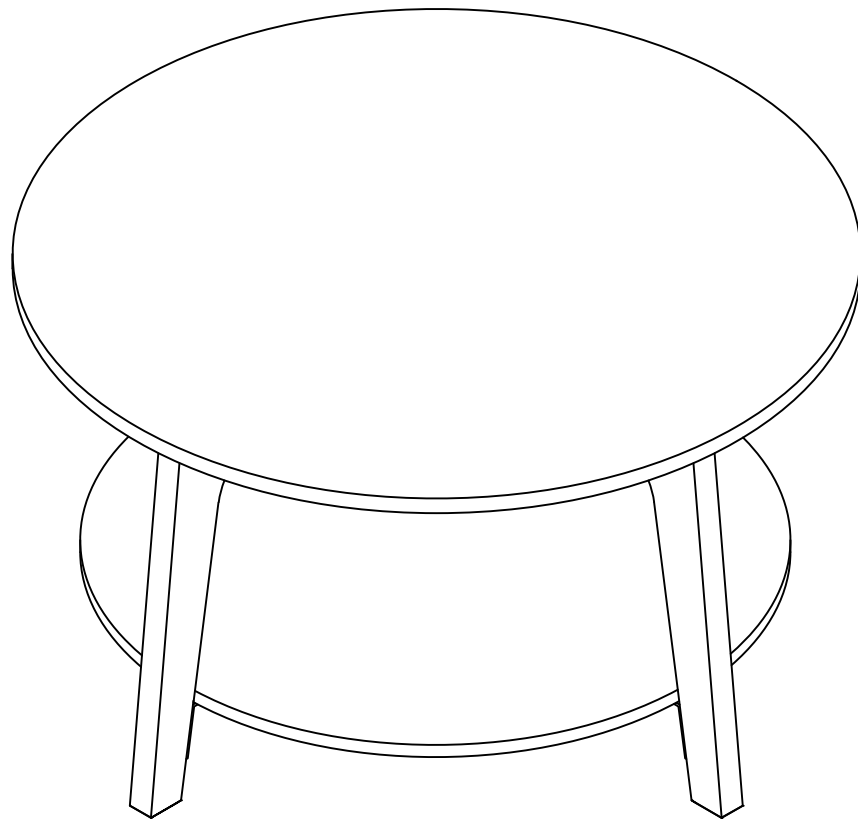


ASSEMBLY INSTRUCTION

SKU CODE: CJ-Y32IN-BN

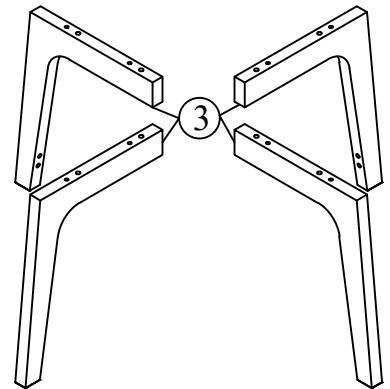
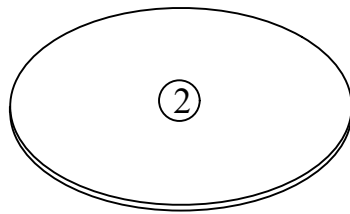
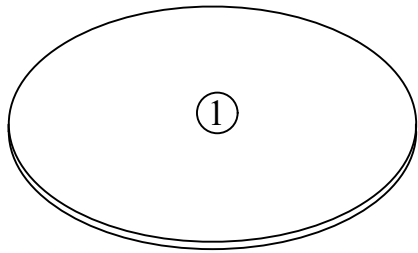


 EST 9:00 AM--17:00PM

 HJ-Customer-Service@outlook.com

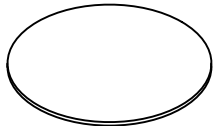
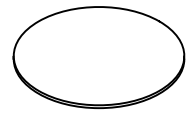
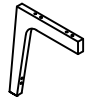
 (909)637-7665 | (909)637-7593

Detail View


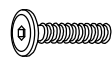

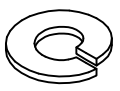
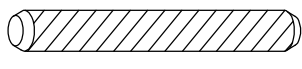
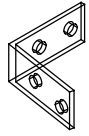
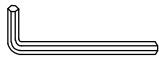


Identifying the Hardware -Identify the hardware using the illustrations below.






Part List

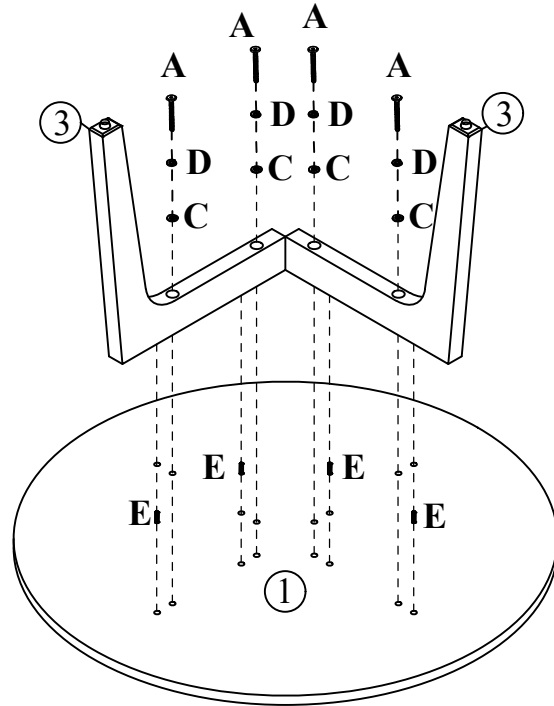
<p>1</p>  <p>Table top - 1pc</p>	<p>2</p>  <p>That board - 1pc</p>
<p>3</p>  <p>Bed Feet - 4pcs</p>	

Hardware List





<p>A</p>  <p>$\varnothing 13 \times 1/4" \times 60 \text{mm}$</p>	<p>B</p>  <p>$\varnothing 13 \times 1/4" \times 15 \text{mm}$</p>	<p>C</p>  <p>$\varnothing 1/4" \times 16 \times 1 \text{mm}$</p>
<p>Hex-Head bolts - 8pcs</p>	<p>Hex-Head bolts - 16pcs</p>	<p>Flat Washer - 24pcs</p>
<p>D</p>  <p>$\varnothing 1/4" \times 10 \times 1.2 \text{mm}$</p>	<p>E</p>  <p>$\varnothing 8 \times 30 \text{mm}$</p>	<p>F</p>  <p>67x58x26mm</p>
<p>Lock Washer - 24pcs</p>	<p>Wood dowel - 8pcs</p>	<p>Angle iron L type - 4pcs</p>
<p>G</p>  <p>4mm</p> <p>Allen key - 1pc</p>		

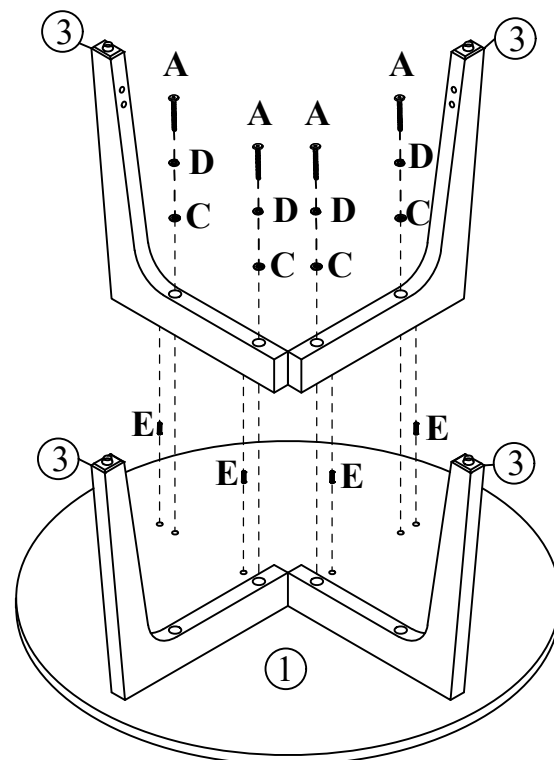
STEP: 1

A 	C 	D 	E 	G 
4PCS	4PCS	4PCS	4PCS	1PC

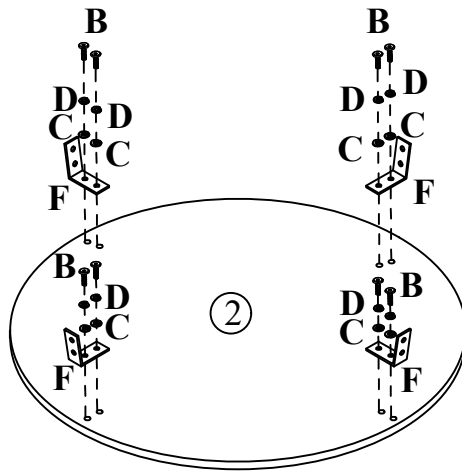



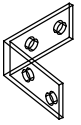


STEP: 2

A 	C 	D 	E 
4PCS	4PCS	4PCS	4PCS

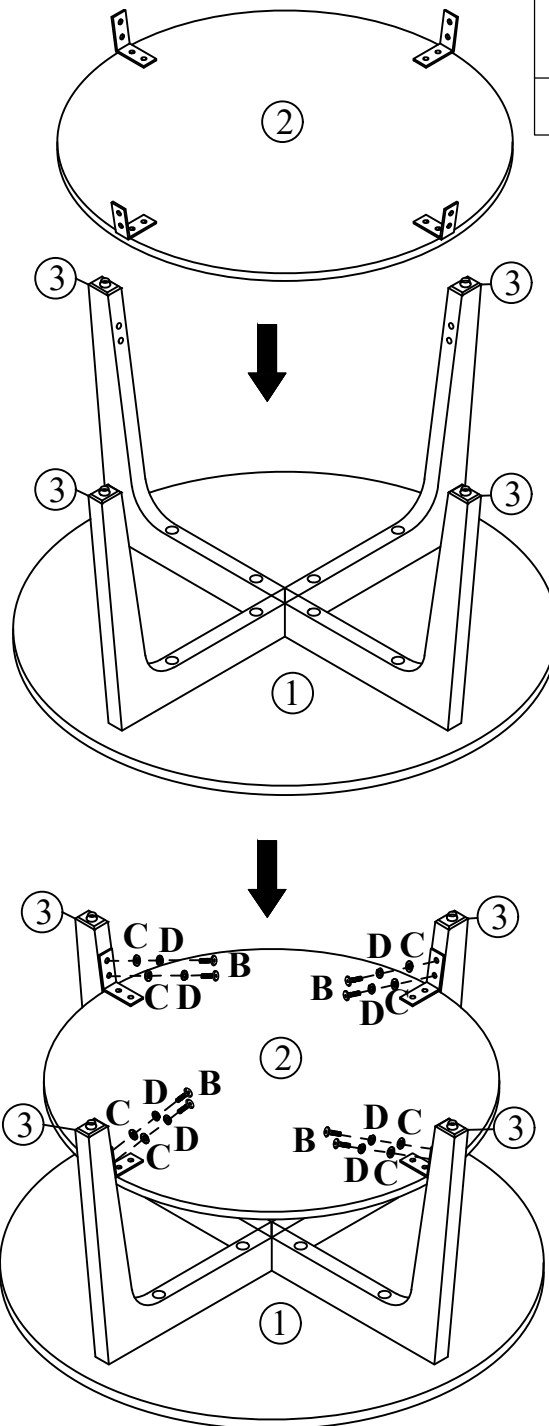





STEP: 3



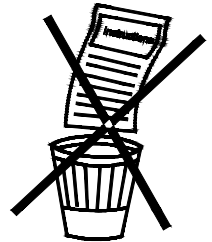
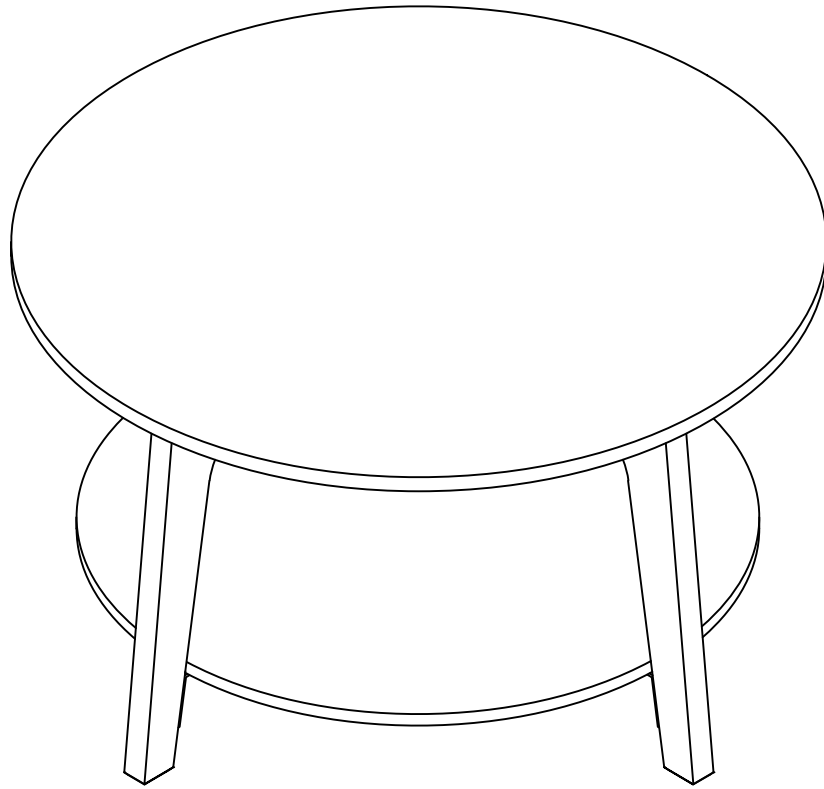
B		F	
	8PCS		4PCS
C		D	
	8PCS		8PCS

STEP: 4



B		C	
	8PCS		8PCS
		D	
			8PCS

STEP: 5



Technical Support

(909)637-7665 | (909)637-7593

Other Info

HJ-Customer-Service@outlook.com

Thank you for choosing this product. We strive to provide you with the best quality products and service in the industry. Should you have any issues, please don't hesitate to contact us.

