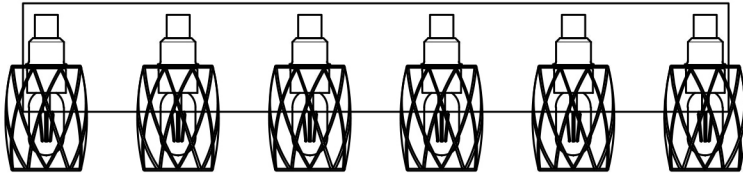


Instruction Manual



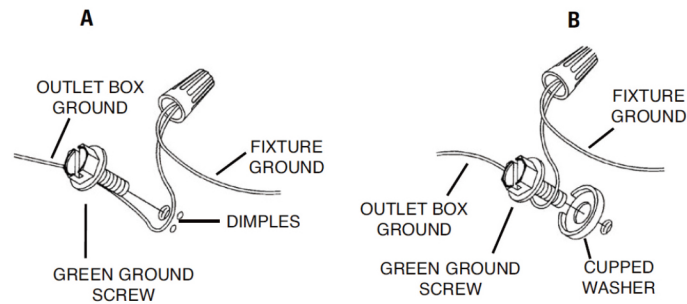
(To reduce the risk of fire, electric shock, or injury to persons):

1. We suggest installation by a licensed electrician.
2. Before you start, A). Go to the main fuse, or circuit breaker, box in your home. Place the main power switch in the 'OFF' position. B). Place the wall switch in the 'OFF' position.
3. Make sure the wall can support the weight of the lamp before installation.
4. Make sure the voltage you are using is 120V. The maximum wattage is 60W per bulb.
5. When replacing bulb, you should turn off or unplug the lamp and you must wait until it is cool as bulbs get hot quickly.
6. The safety instructions appearing in this manual are not meant to cover all possible conditions that may occur.

Installation Procedures:

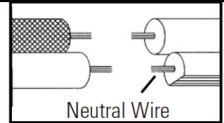
First:

- A) Open the package and take out all the parts or accessories, then place them on a clean flat place.
- B) Please turn off the power.

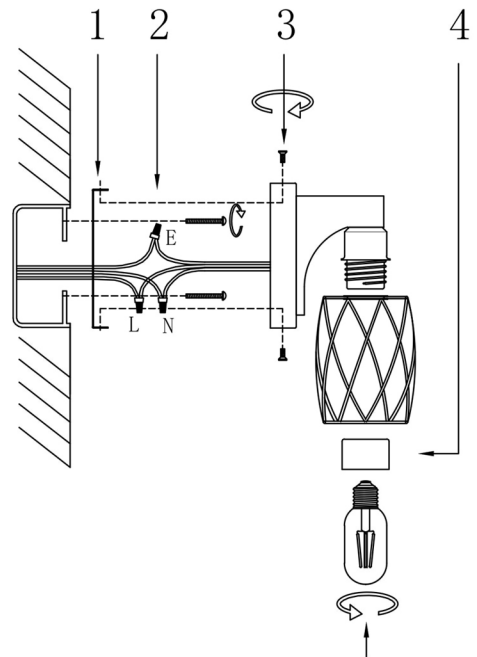


Connect Black or Red Supply Wire to:	Connect White Supply Wire to:
Black	White
*Parallel cord (round & smooth)	*Parallel cord (square & ridged)
Clear, Brown, Gold or Black without tracer	Clear, Brown, Gold or Black with tracer
Insulated wire (other than green) with copper conductor	Insulated wire (other than green) with silver conductor

*Note: When parallel wires (SPT I & SPT II) are used. The neutral wire is square shaped or ridged and the other wire will be round in shape or smooth (see illus.)



1. Fix the mounting bracket to the junction box.
2. Connect the live wire (L), zero wire (N) and ground wire (E) to the junction box.
3. Use the black nut to lock the lamp body on the mounting bracket.
4. Lock the metal shade to the light fixture with the lamp head ring.
5. Install the E26 light bulb.



If you need any help, please contact us.