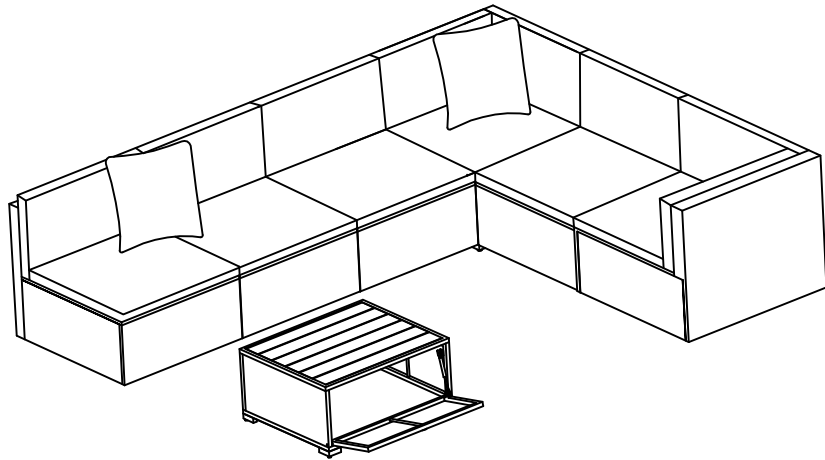


7-PIECE RATTAN SOFA SET
WITH ADJUSTABLE BACKREST
ASSEMBLY INSTRUCTION



1

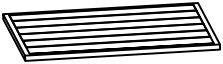
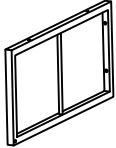
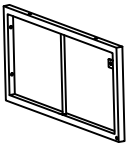
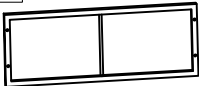
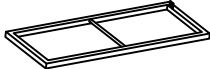

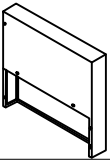
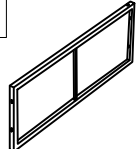
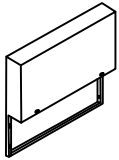
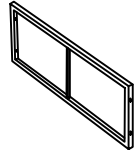
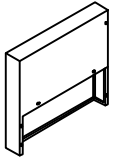
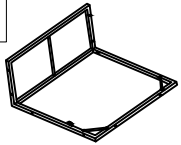
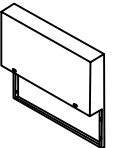
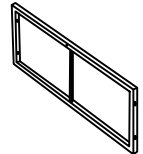
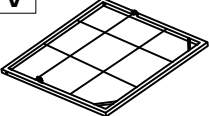
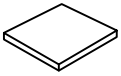


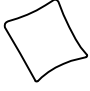

ATTENTION

- 1.This package comes with 2 boxes,please check the parts list and hardware list carefully to make sure you've received all parts.
- 2.If there are any missing parts,please contact us with the missing part and the missing part number,we'll resend them to you ASAP.
- 3.If there are any damaged parts,please contact us with clear picture or clear video,we'll offer you the best solution after confirming it.

2











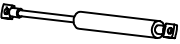
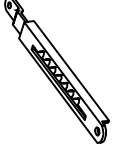

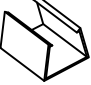
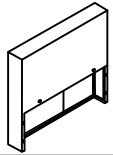
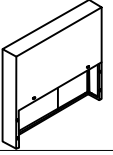
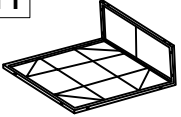
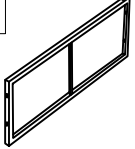
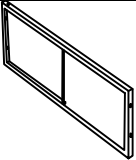
Assembly Instruction

Parts List (BOX A)

A 	B 	C 	D 
1 PC	1 PC	1 PC	1 PC
E 	F 	M 	I 
1 PC	1 PC	1 PC	2 PCS
O 	P 	R 	S 
1 PC	1 PC	1 PC	1 PC
T 	U 	V 	K 
1 PC	1 PC	1 PC	3 PCS
L 	Q 	f 	a  M6x45mm
2 PCS	2 PCS	2 PCS	6 PCS

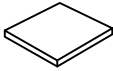

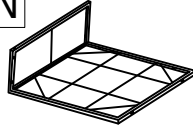
3

Assembly Instruction

b  M6x35mm	c  M6x25mm	d  M6x20mm	e  M6x90mm
74 PCS	50 PCS	6 PCS	2 PCS
g 	h 	i 	j 
86 PCS	4 PCS	10 PCS	28 PCS
k 	l 	m 	n 
1 PC	1 PC	1 PC	1 PC
o 	r 	G 	
1 PC	10 PCS	1 PC	
Parts List (BOX B)			
G 	H 	I 	J 
3 PCS	4 PCS	2 PCS	4 PCS

4

Assembly Instruction





K	L	N
		
3 PCS	4 PCS	1 PC

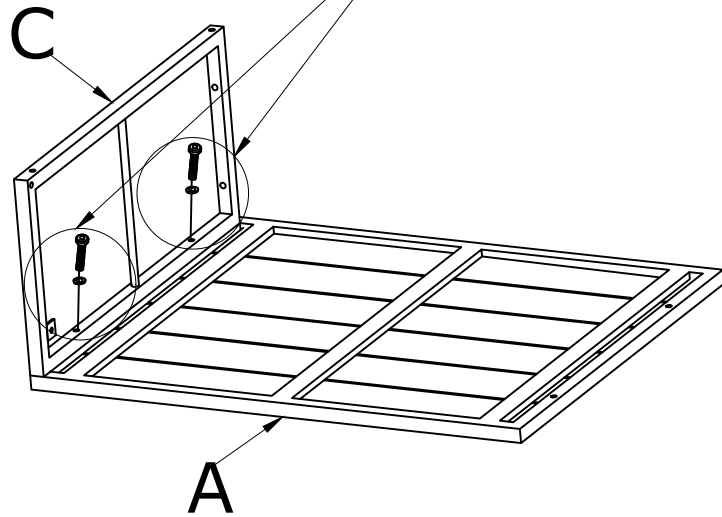
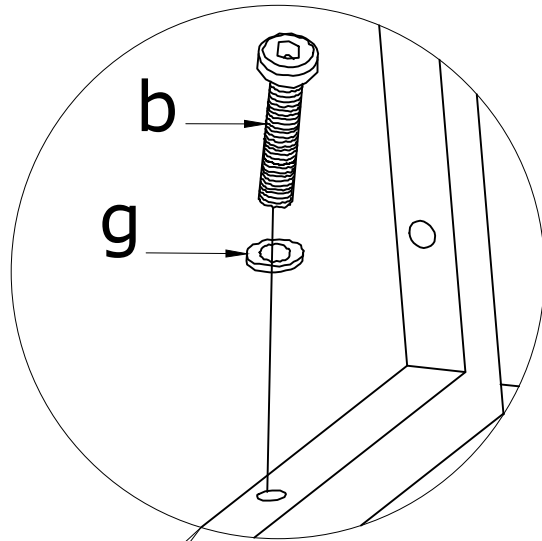
NOTE

- 1.If one or some screws are fully tightened during assembly,the other screws may not be aligned with screw holes.70% tighten before fastening all screws.Allen wrench is recommended instead of an electric drill.
- 2.If some screws are not aligned with holes during assembly,please loosen all the other screws to 70% and continue the assembly process.
- 3.If the items are not stable,please loosen all the screws,adjust it on a flat ground and tighten all the screws.

7-PIECE RATTAN SOFA SET

Step 1




	A*1
	C*1
 M6x35mm	b*2
	g*2

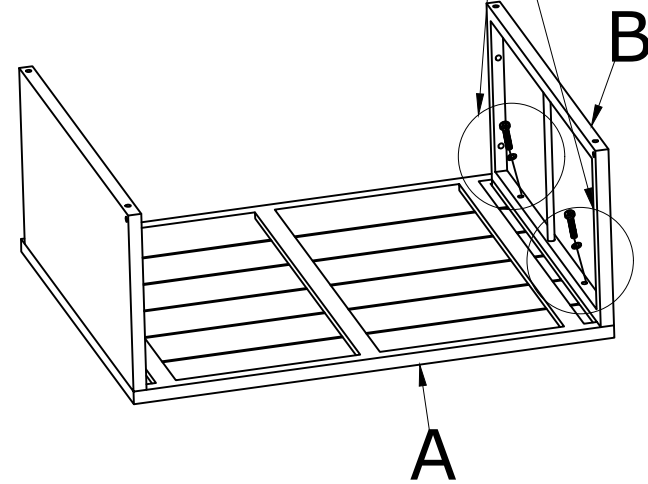
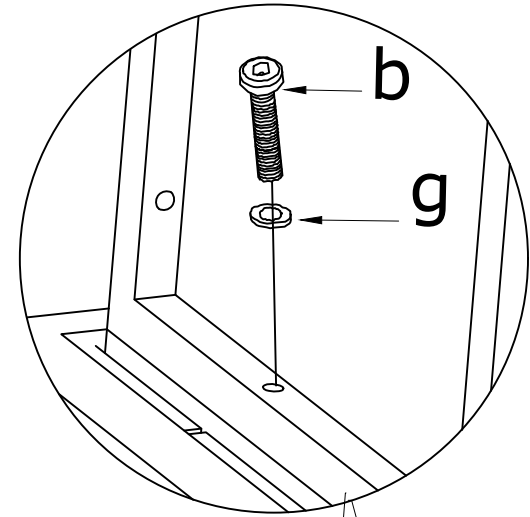


7

7-PIECE RATTAN SOFA SET

Step 2

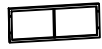

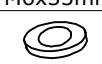
	B*1
 M6x35mm	b*2
	g*2

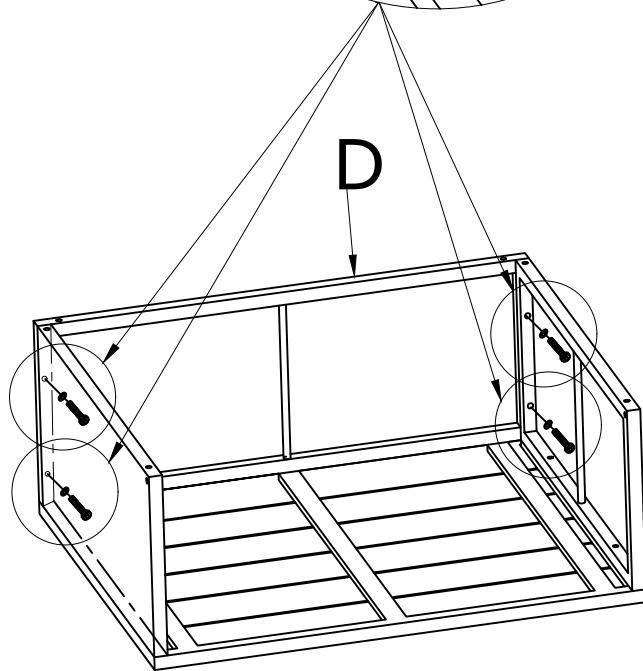
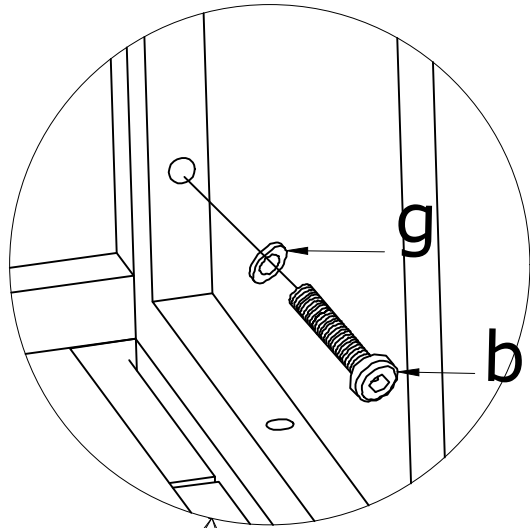


8

7-PIECE RATTAN SOFA SET

Step 3



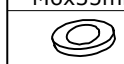

	D*1
 M6x35mm	b*4
	g*4

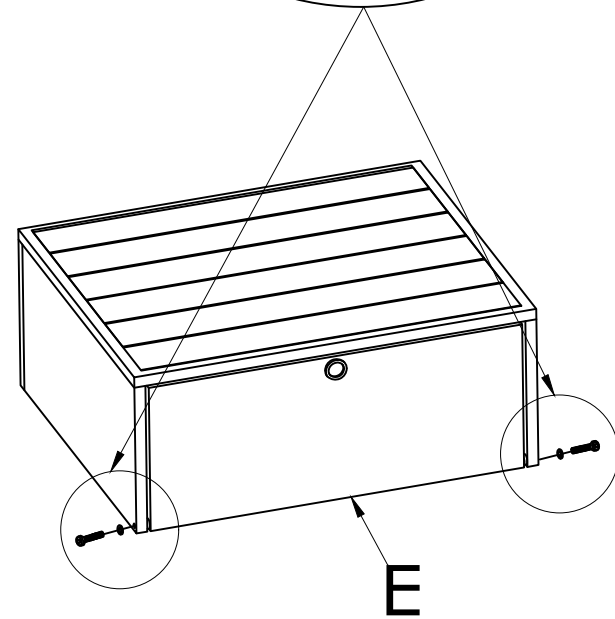
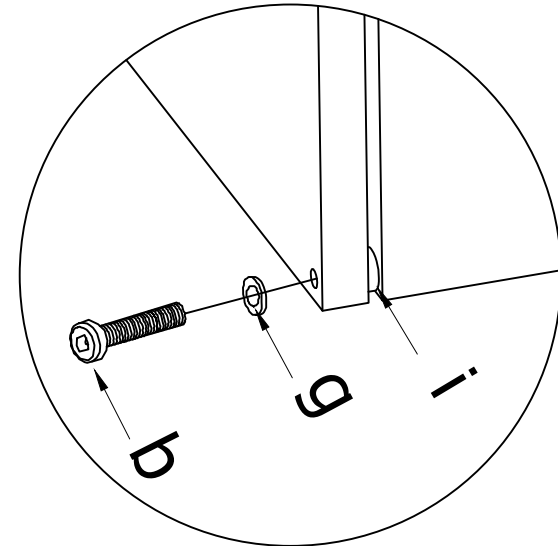


9

7-PIECE RATTAN SOFA SET

Step 4





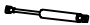
	E*1
 M6x35mm	b*2
	g*2
	i*2

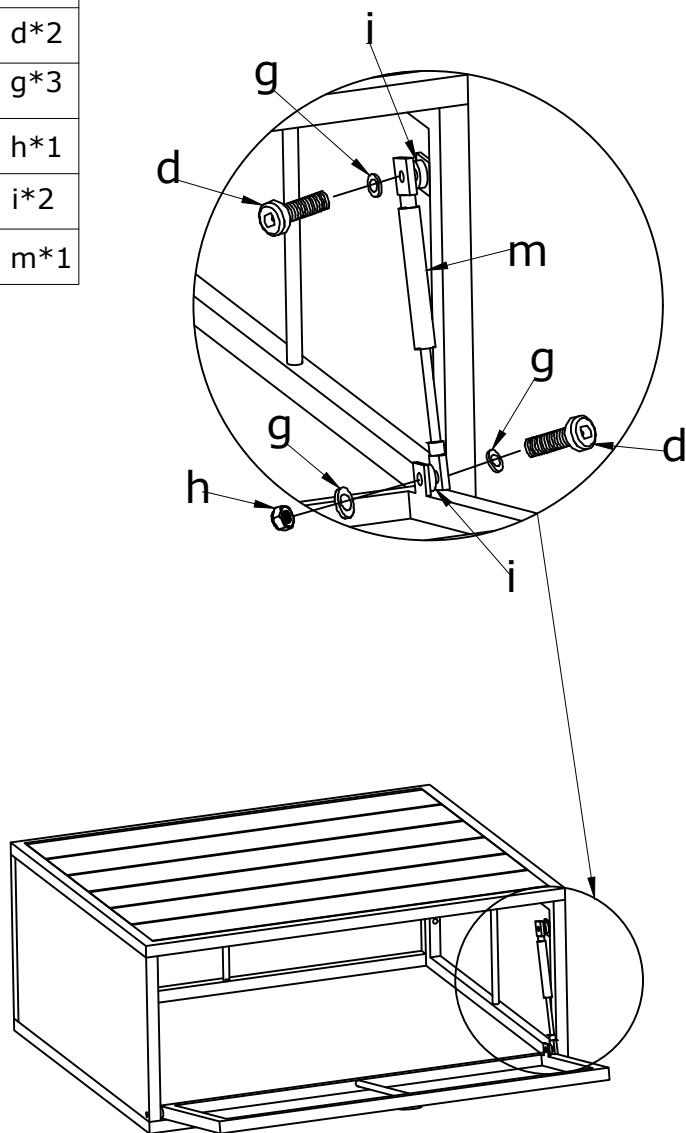


10

7-PIECE RATTAN SOFA SET

Step 5

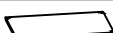



 M6x20mm	d*2
 g*3	
 h*1	
 i*2	
 m*1	

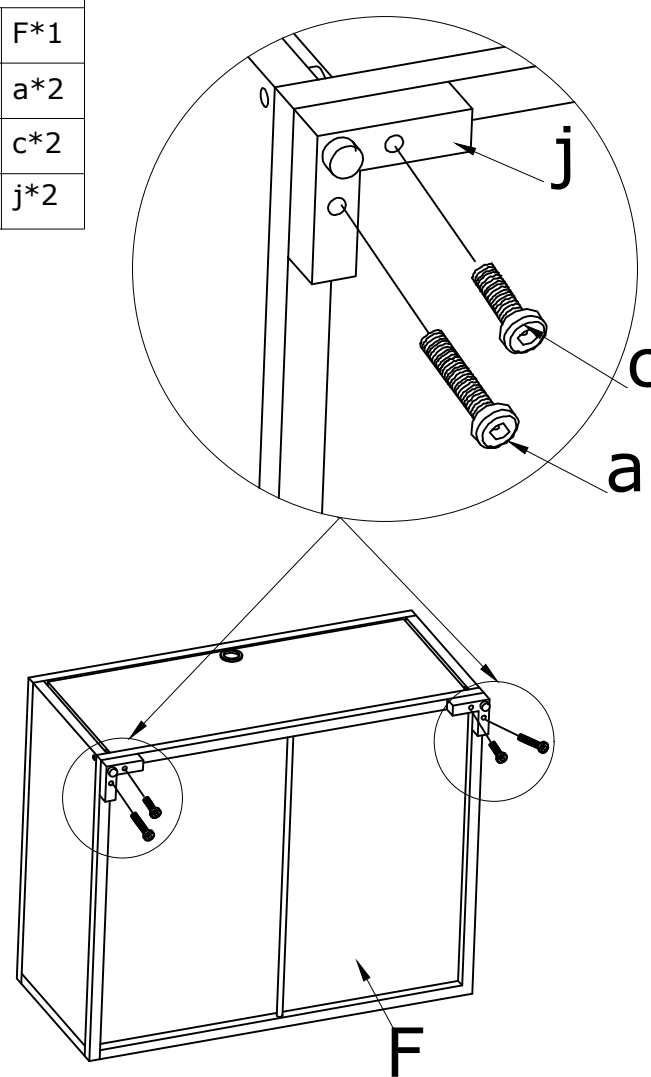


11

7-PIECE RATTAN SOFA SET

Step 6

 F*1	
 M6x45mm	a*2
 M6x25mm	c*2
 j*2	

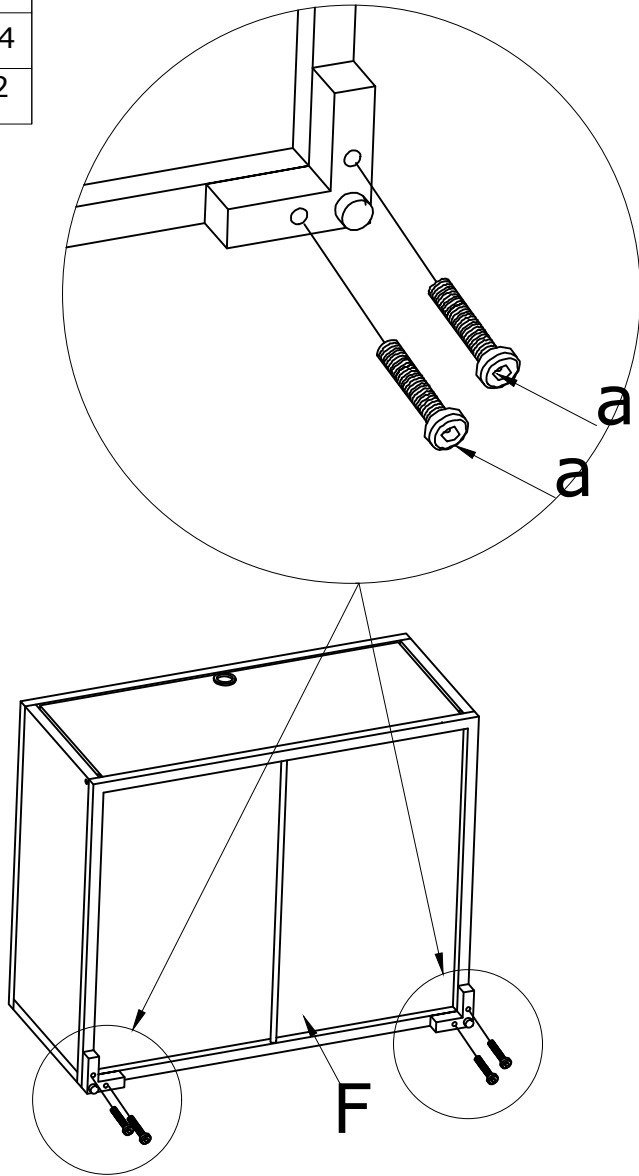


12

7-PIECE RATTAN SOFA SET

Step 7

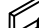



 M6x45mm	a*4
	j*2

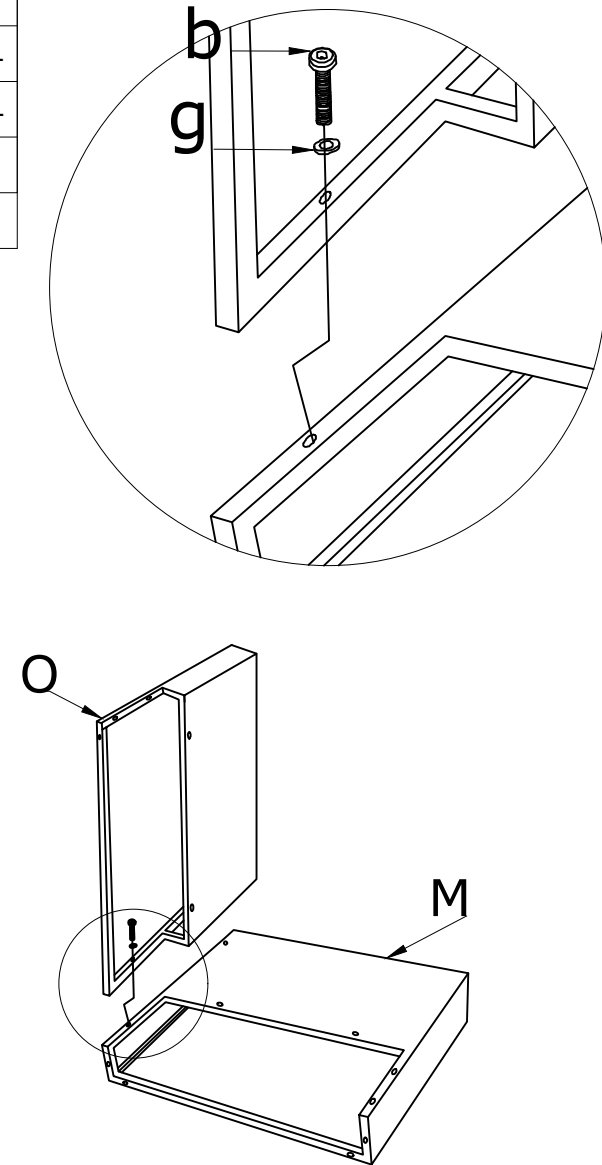


13

7-PIECE RATTAN SOFA SET

Step 8





	O*1
	M*1
 M6x35mm	b*1
	g*1

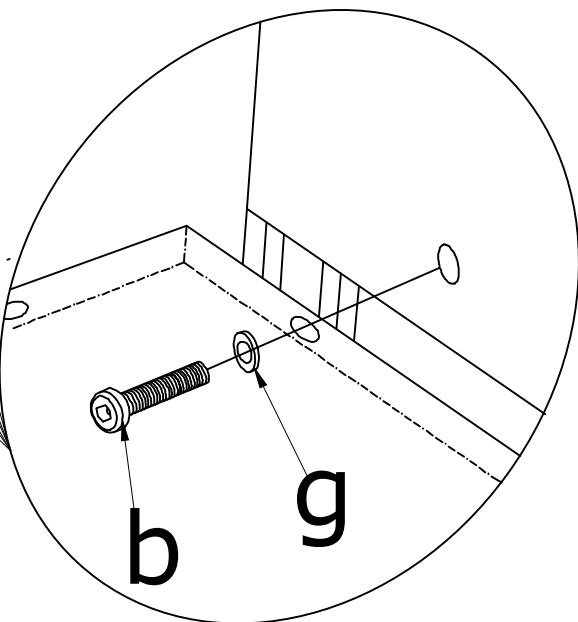
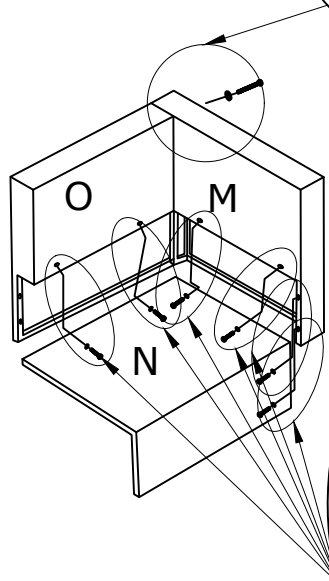
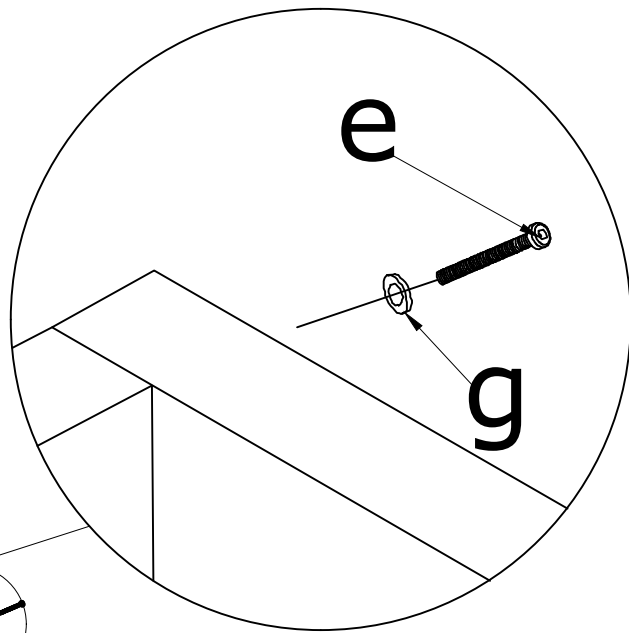


14

7-PIECE RATTAN SOFA SET

Step 9




	N*1
 M6x35mm	b*6
 M6x90mm	e*1
	g*7

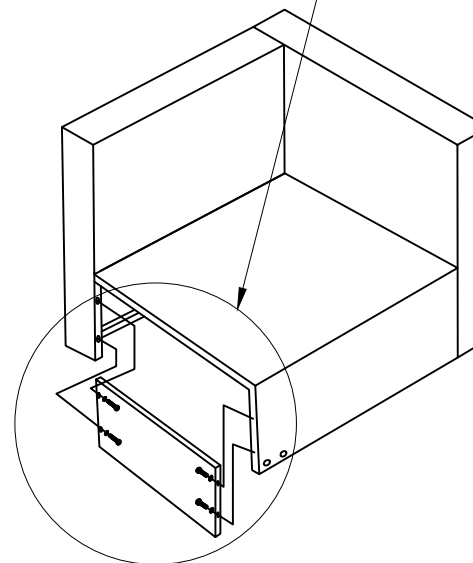
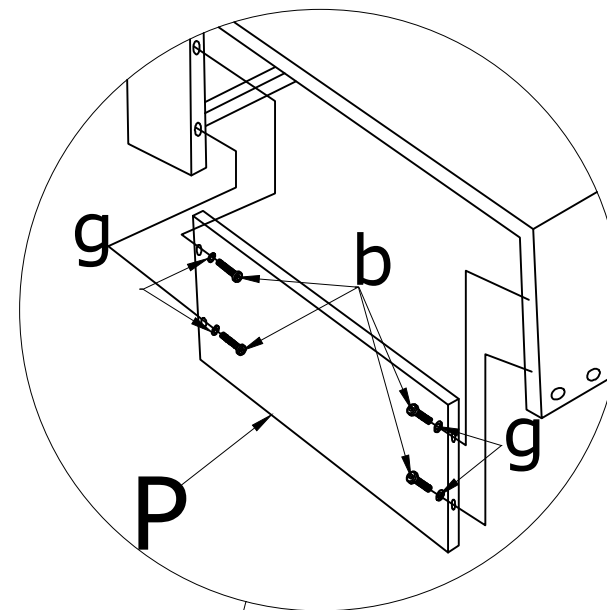


15

7-PIECE RATTAN SOFA SET

Step 10

	P*1
 M6x35mm	b*4
	g*4



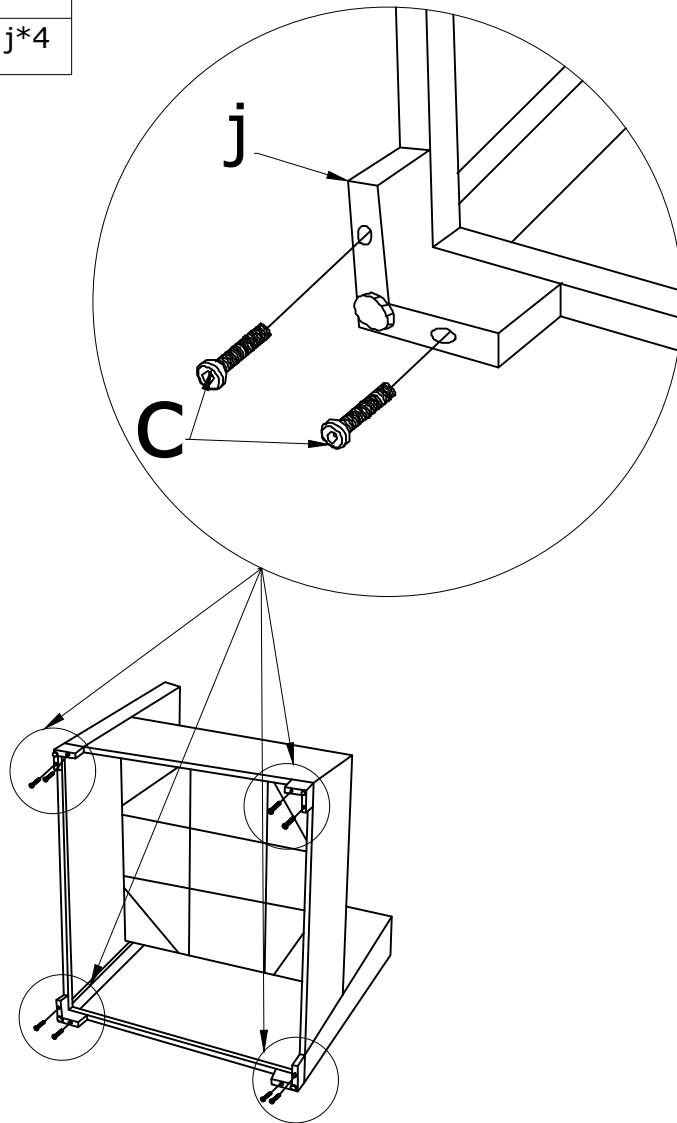
16

7-PIECE RATTAN SOFA SET

Step 11

M6x25mm c*8

j*4



17

7-PIECE RATTAN SOFA SET

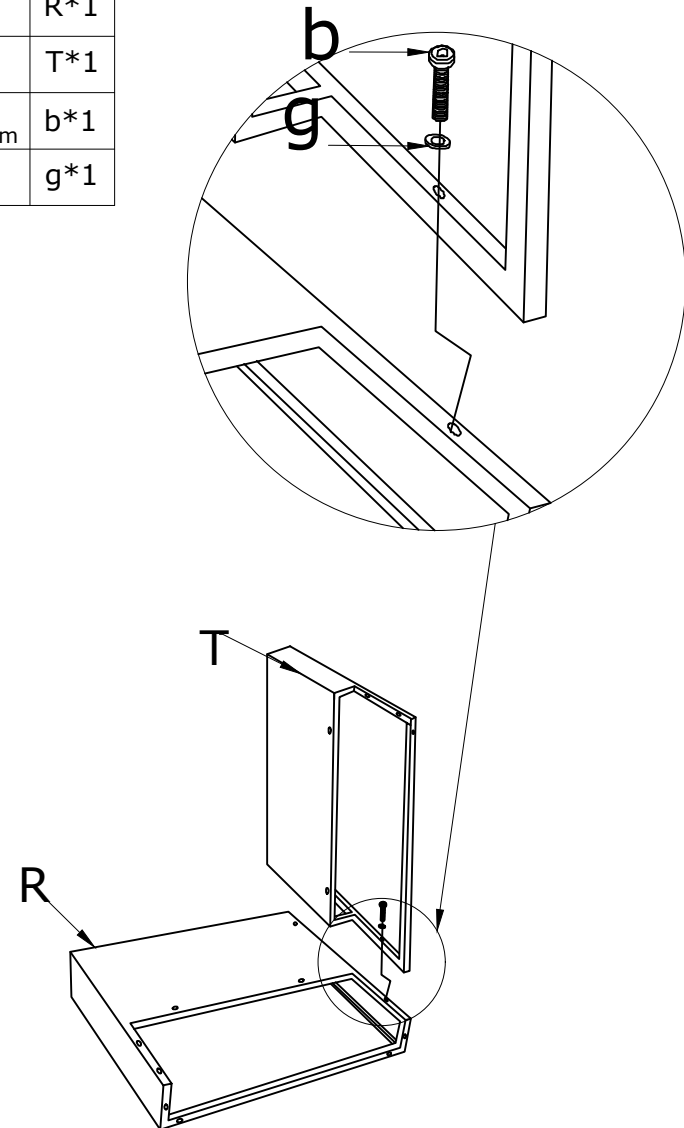
Step 12

R*1

T*1

M6x35mm b*1

g*1



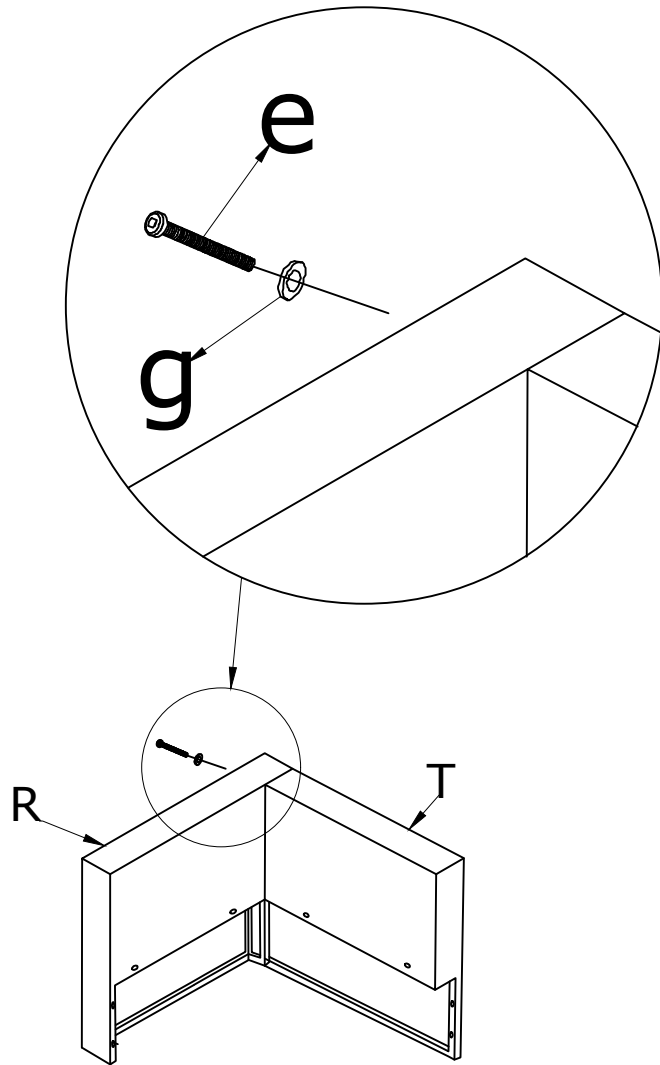
18

7-PIECE RATTAN SOFA SET

Step 13

M6x90mm e*1

g*1



19

7-PIECE RATTAN SOFA SET

Step 14

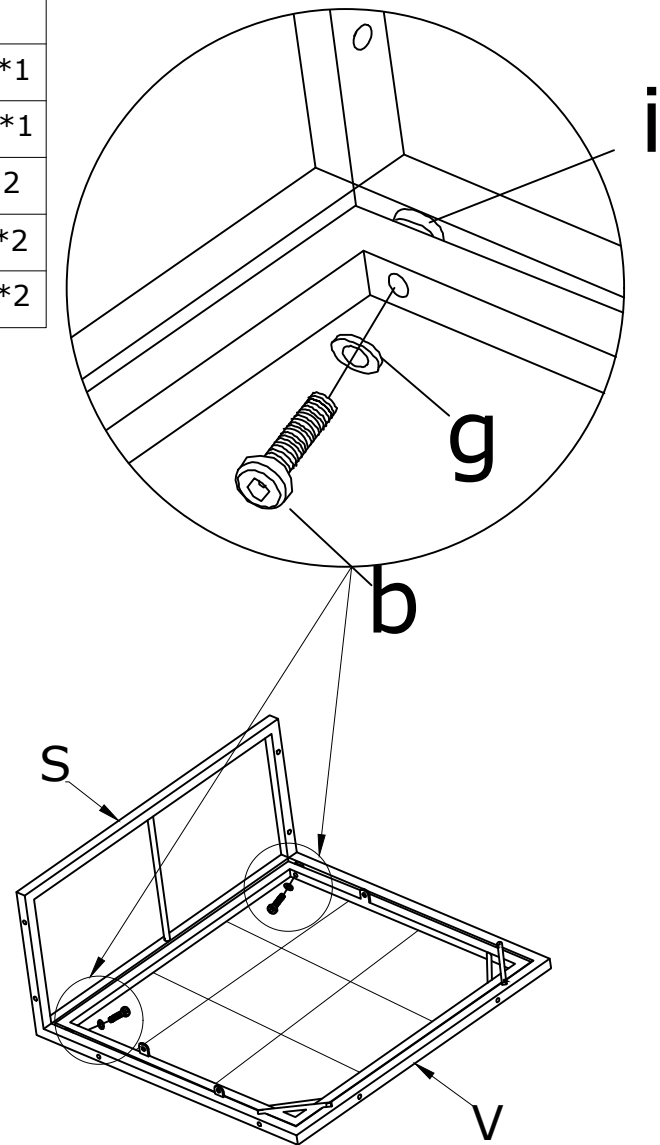
S*1

V*1

i*2

M6x35mm b*2






g*2

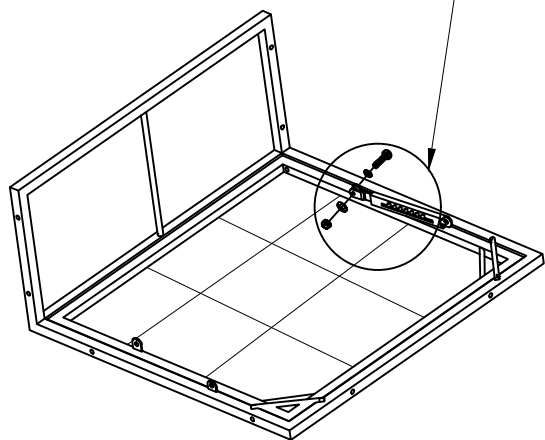
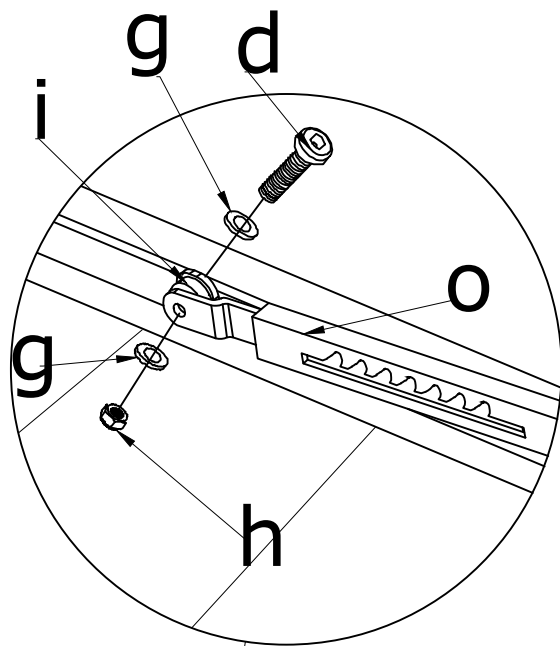


20

7-PIECE RATTAN SOFA SET

Step 15






	o*1
	i*1
	h*1
 M6x20mm	d*1
	g*2

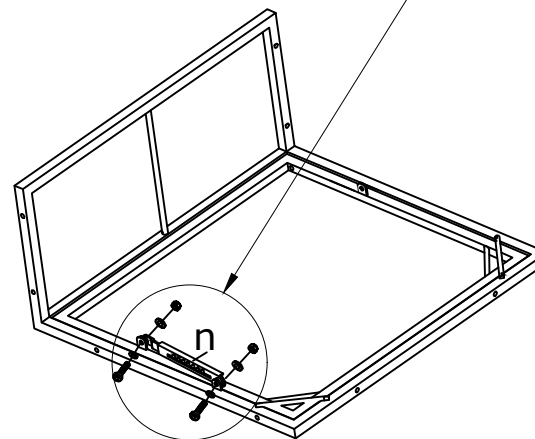
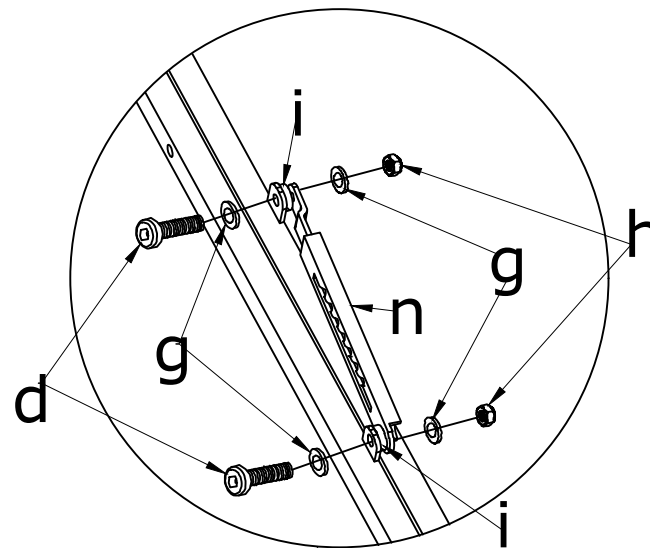


21

7-PIECE RATTAN SOFA SET

Step 16






	n*1
	i*2
 M6x20mm	d*2
	g*4
	h*2

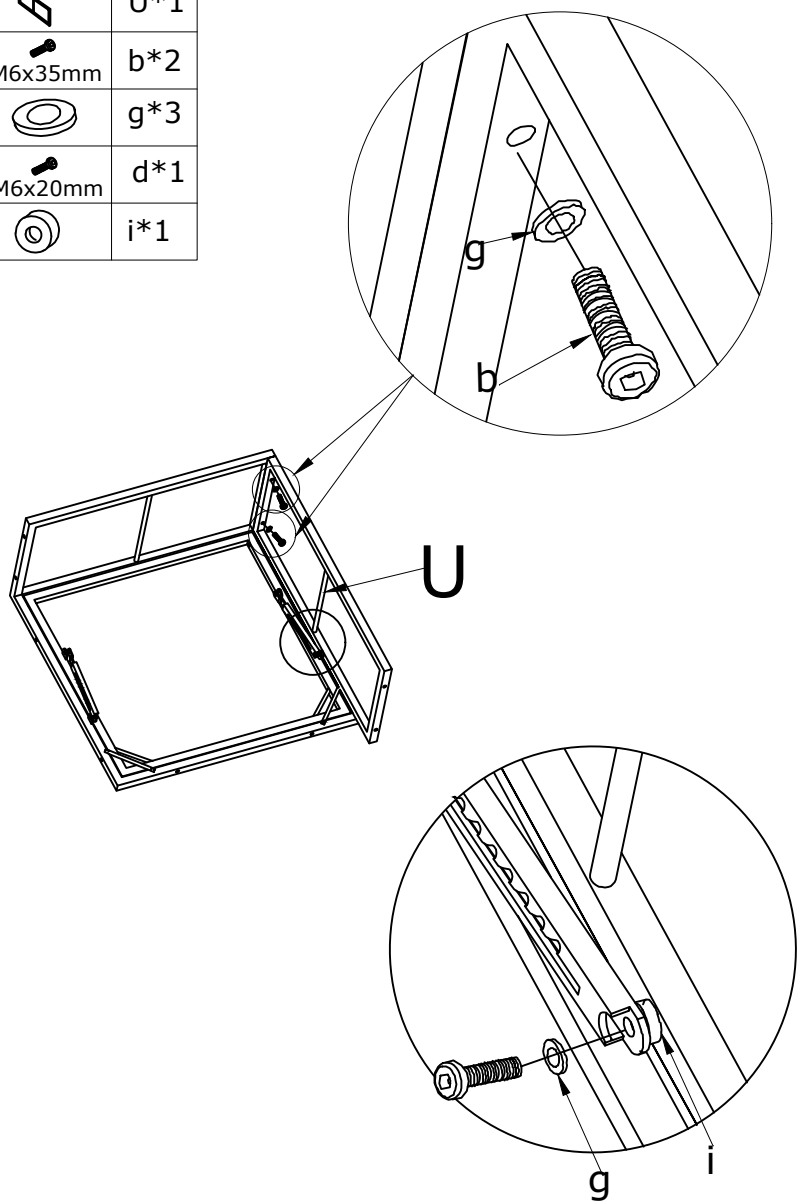


22

7-PIECE RATTAN SOFA SET

Step 17



	U*1
 M6x35mm	b*2
 g*3	
 M6x20mm	d*1
 i*1	

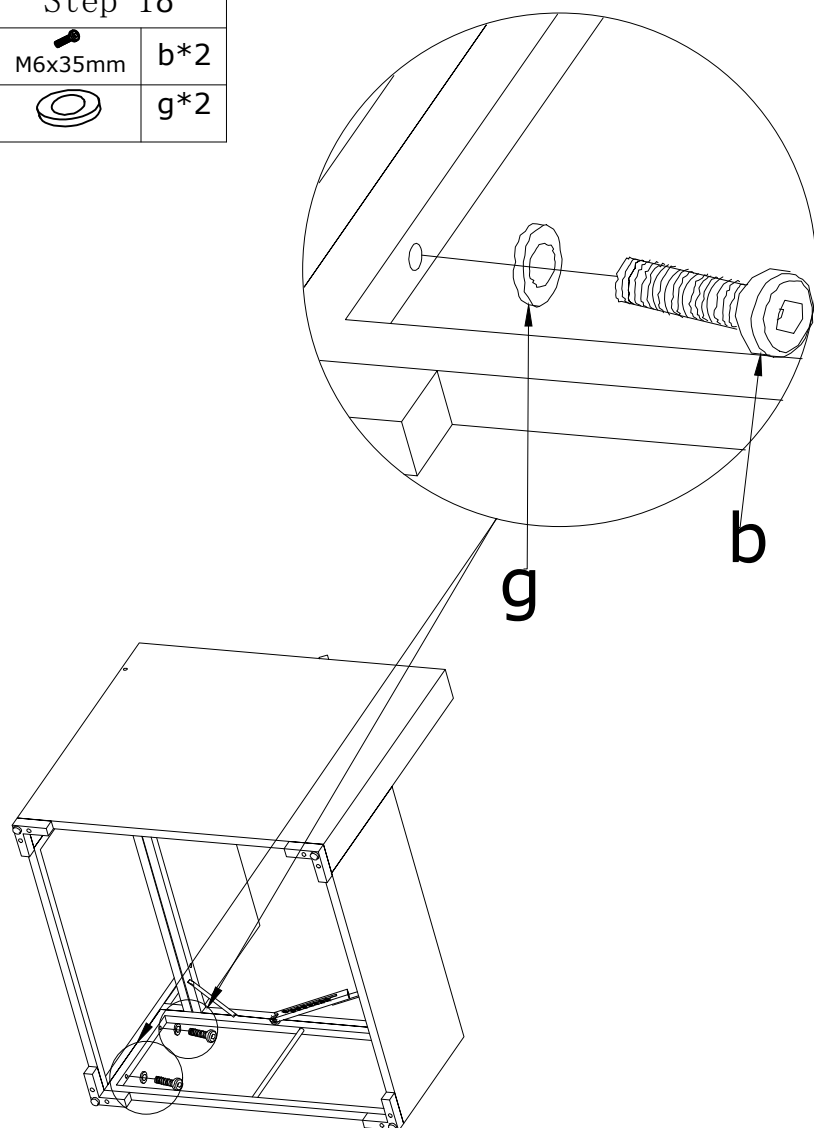


23

7-PIECE RATTAN SOFA SET

Step 18



 M6x35mm	b*2
 g*2	

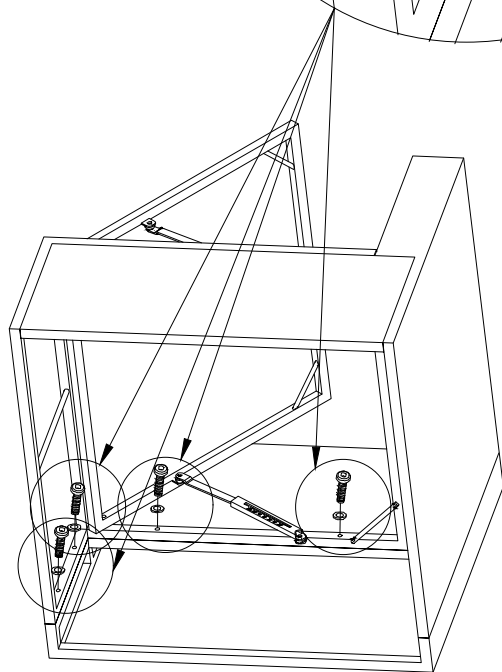
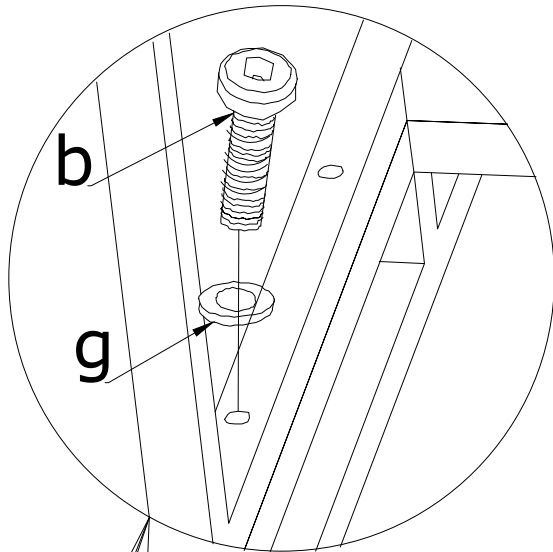


24

7-PIECE RATTAN SOFA SET

Step 19



 M6x35mm	b*4
	g*4

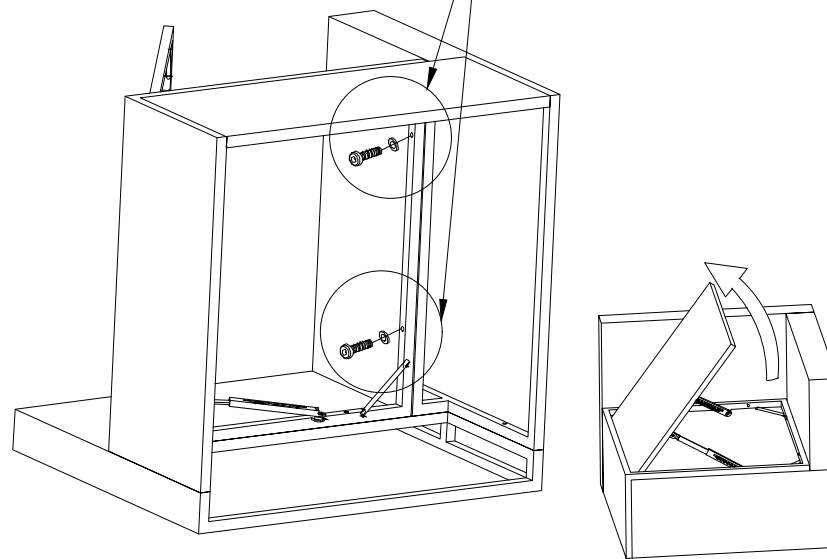
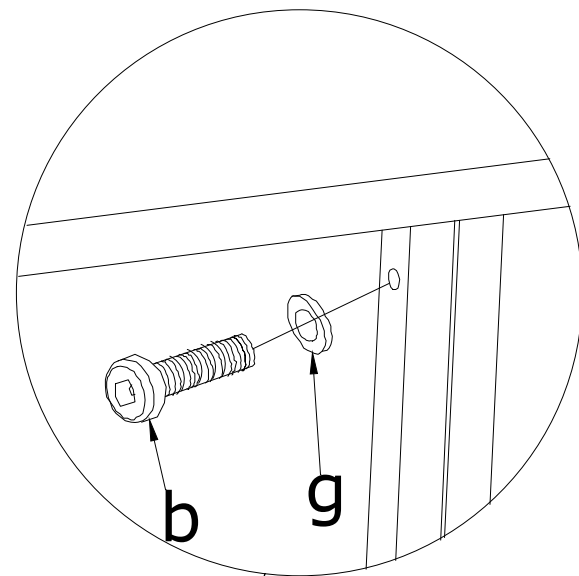


25

7-PIECE RATTAN SOFA SET

Step 20


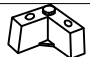
 M6x35mm	b*2
	g*2

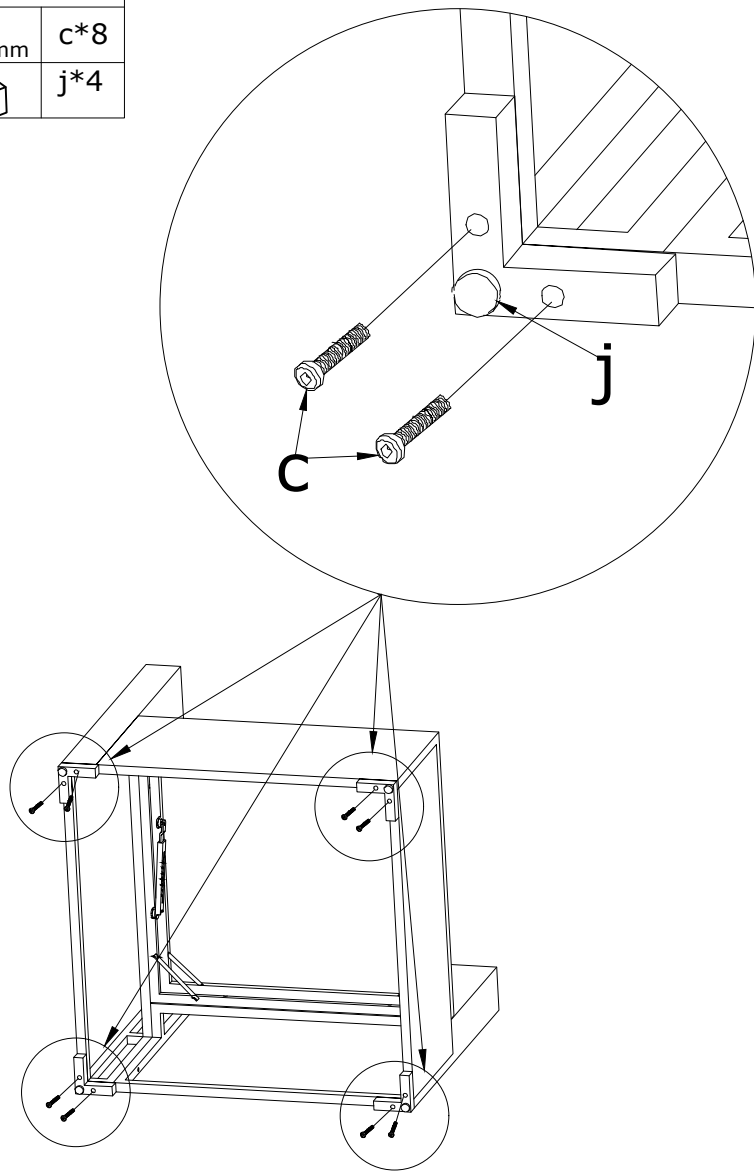


26

7-PIECE RATTAN SOFA SET

Step 21





 M6x25mm	c*8
	j*4

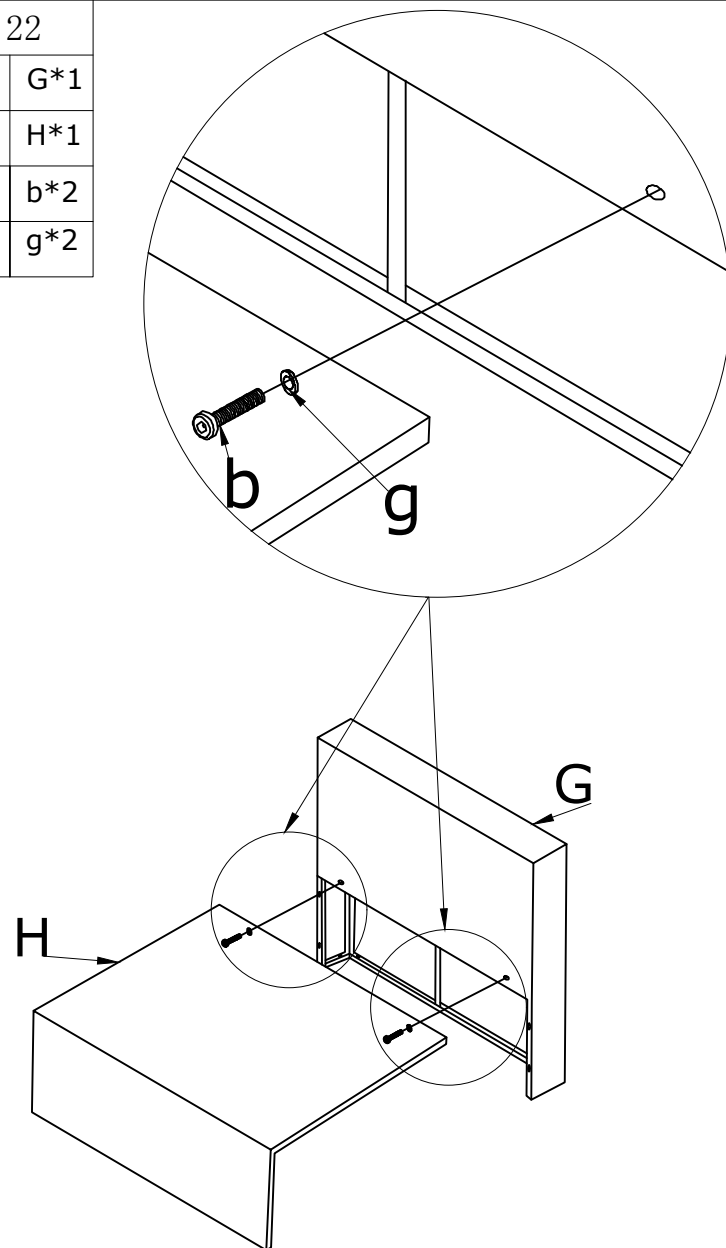


27

7-PIECE RATTAN SOFA SET

Step 22




	G*1
	H*1
 M6x35mm	b*2
	g*2

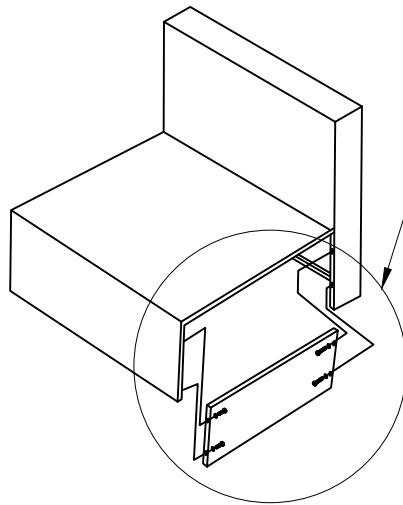
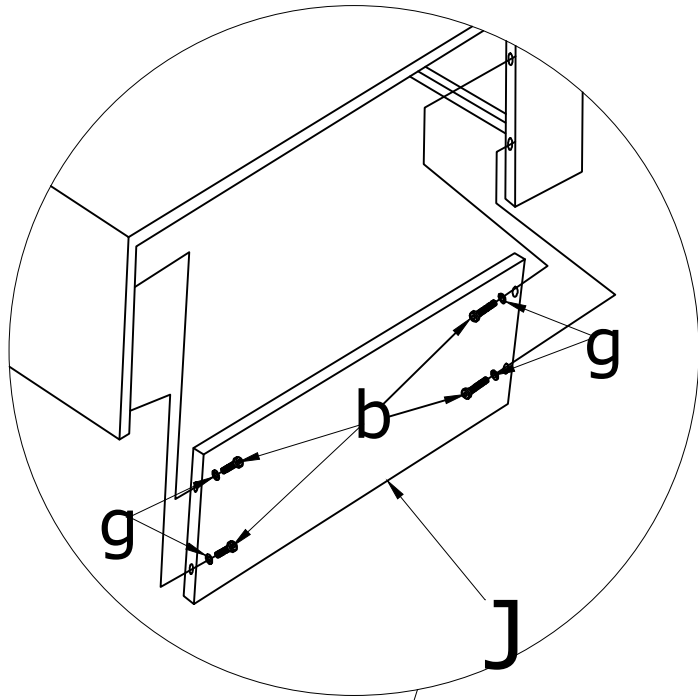


28

7-PIECE RATTAN SOFA SET

Step 23



	J*1
	b*4
M6x35mm	
	g*4

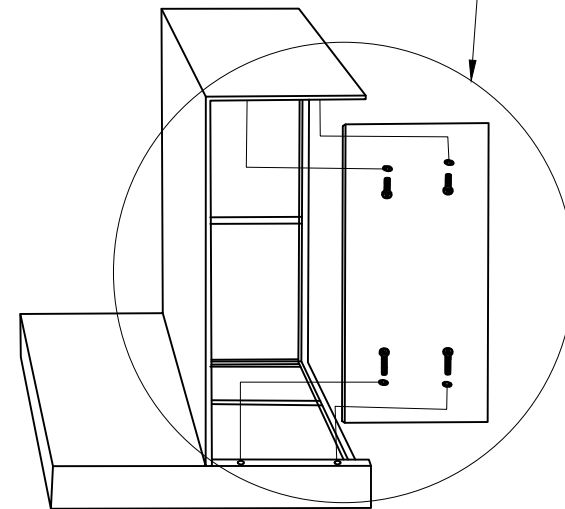
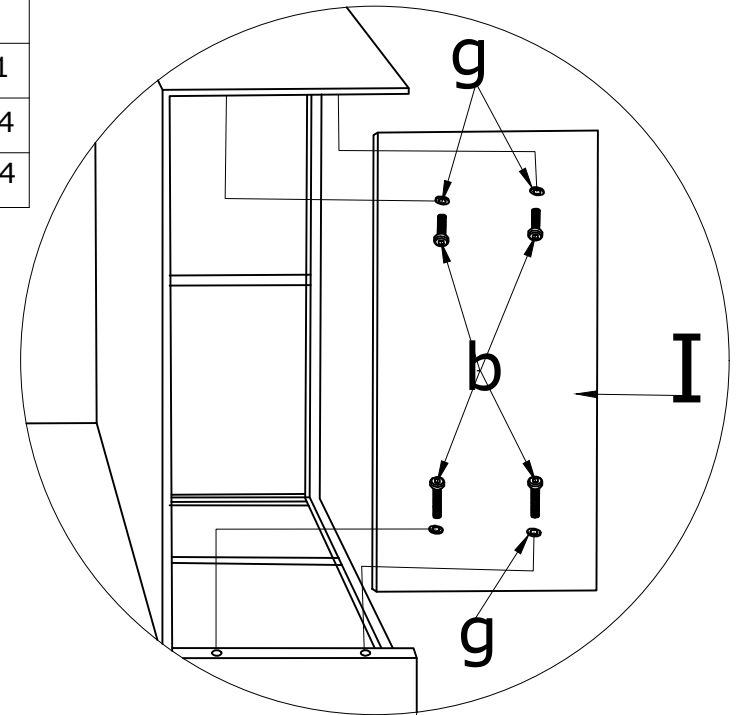


29

7-PIECE RATTAN SOFA SET

Step 24



	I*1
	b*4
M6x35mm	
	g*4

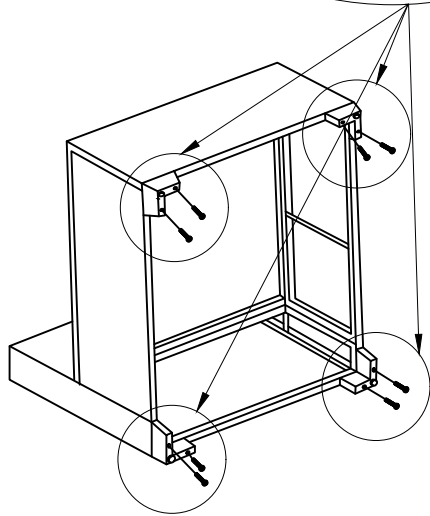
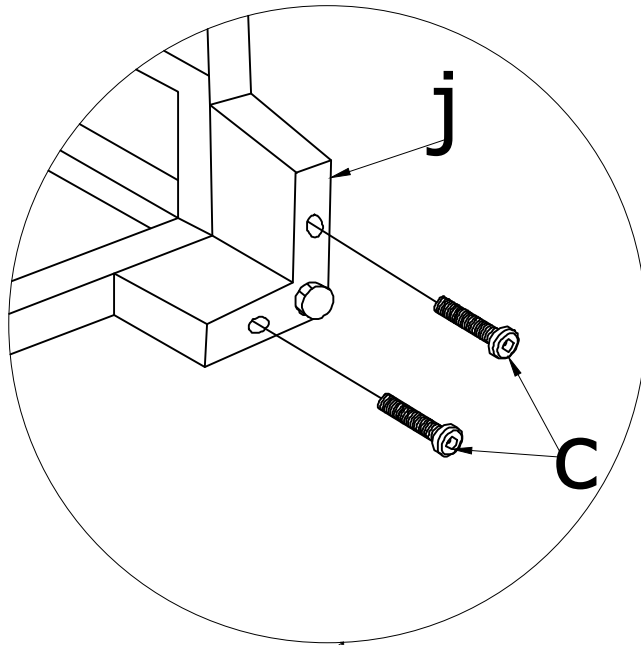


30

7-PIECE RATTAN SOFA SET

Step 25

 M6x25mm	c*8
	j*4

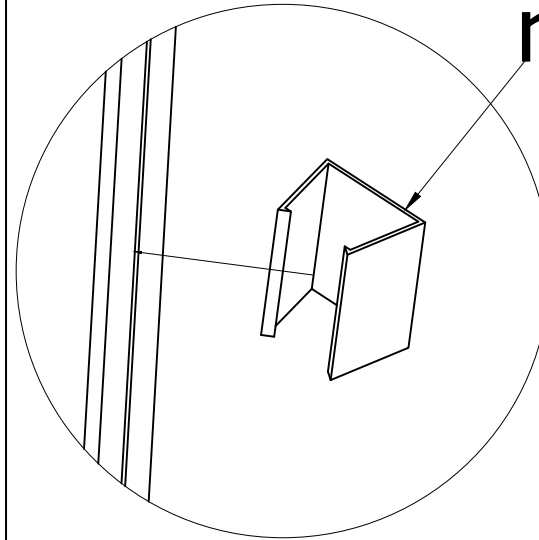


31

7-PIECE RATTAN SOFA SET

Step 26





	r*10
---	------



32

7-PIECE RATTAN SOFA SET

Step 27

	L*6
	Q*2
	K*6
	f*2

