

Instruction Manual

Please save this manual for future reference.

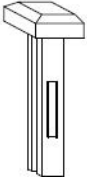

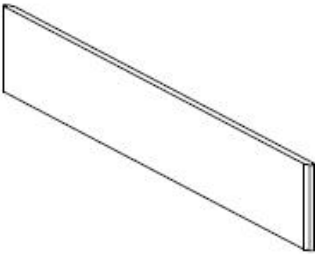
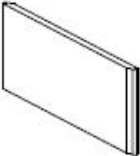
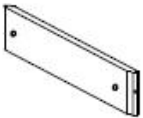
Product Name:	Wood 8ft x 2ft Raised Garden Bed
----------------------	----------------------------------

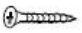

Thank you for purchasing this product. This product has been manufactured with the highest standards of safety and quality.

PLEASE READ ALL INSTRUCTIONS BEFORE ASSEMBLY.

Unpack all parts from Styrofoam and bubble wrap inside the carton to ensure there are no missing or damaged parts. If any parts are missing or damaged, do not attempt to assemble or use the product.

CARTON CONTENTS:

Part	Draw	Quantity
A		2
B		4
C		4
D		2
E		1

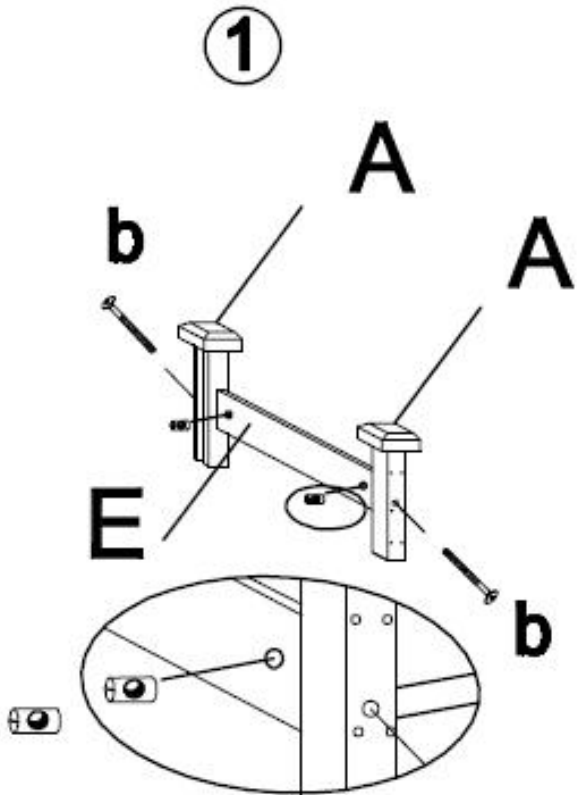
a	Screw  4.2x40mm	36
b	Bolt and Nut  6x90mm	2

Tools required for assembly: Philips screwdriver (if using power tools, use with care)

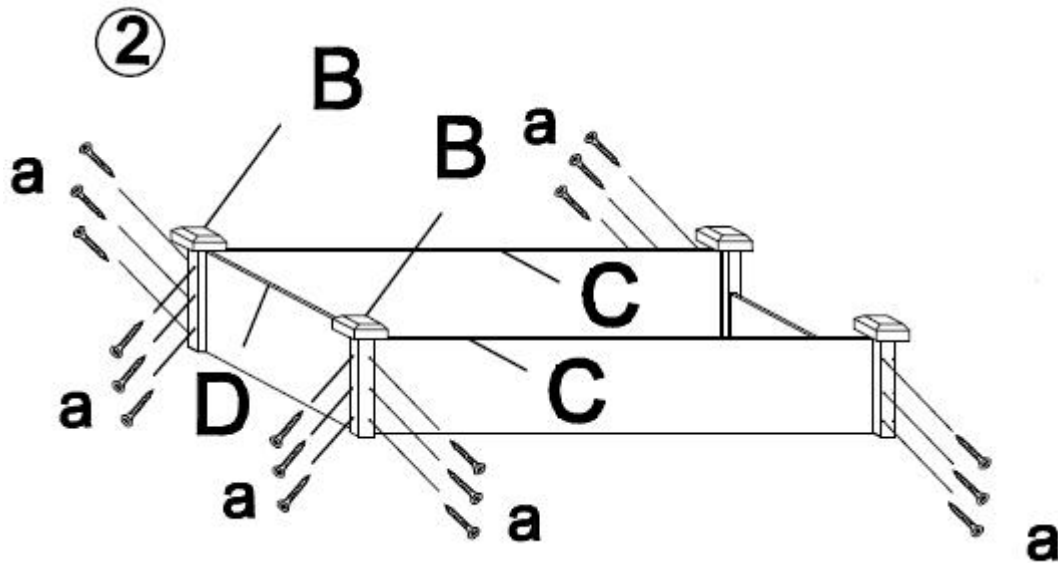
Do not completely tighten any bolts until the unit is fully assembled and sitting on a level surface. Tighten each bolt nuts firmly. Do not over tighten any bolt nuts as this may cause stripping.

Assembly Instructions:

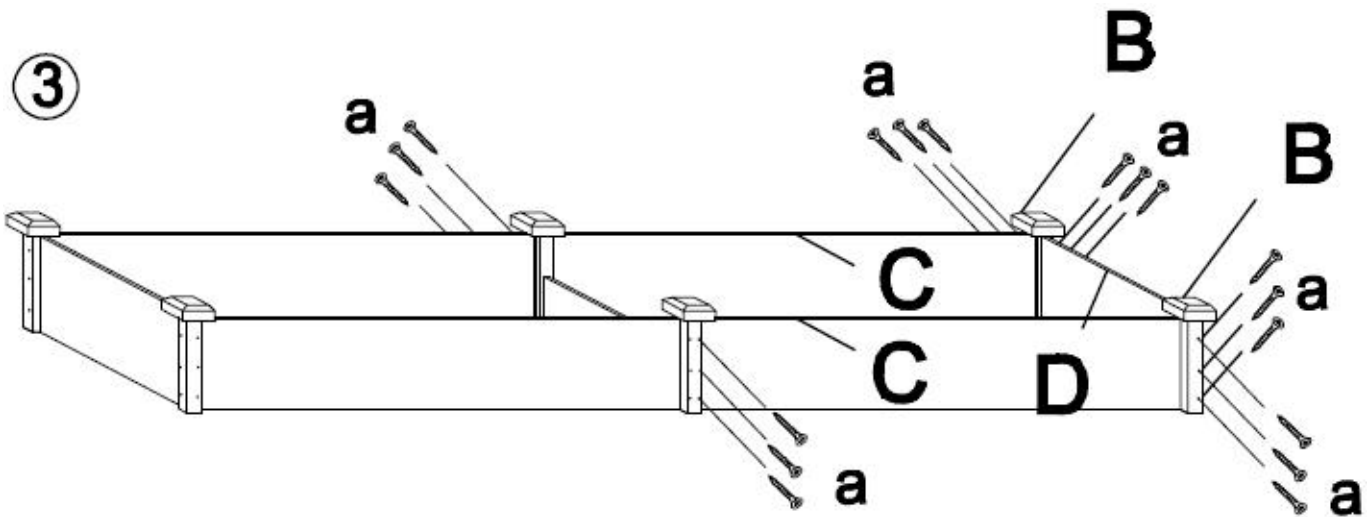
Step 1 Insert each (A) on both ends of (E). Align and screw in (b) bolt and secure with nut.



Step 2 Insert 2 (C) to (A) ends. Align (a) screws, insert, and drill. Insert (B) to both ends of D and insert to (C) on each side. Align (a) screws, insert, and drill.



Step 3 On the opposite side, insert 2 (C) to (A) ends. Align (a) screws, insert, and drill. Insert (B) to both ends of D and insert to (C) on each side. Align (a) screws, insert, and drill.



Final

