

BAR STOOLS

USER MANUAL

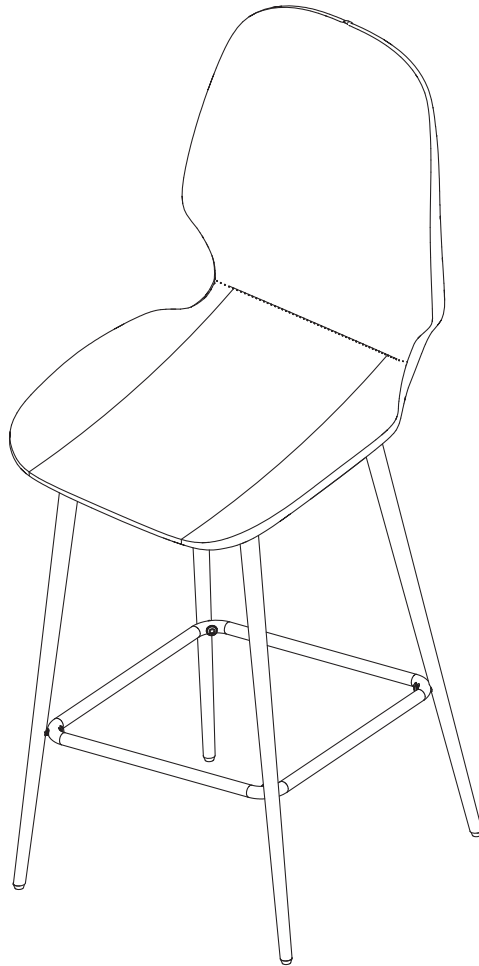
1

ASSEMBLY INSTRUCTIONS

Product information:

size:18*22*37.7nch

net weight :14LBS

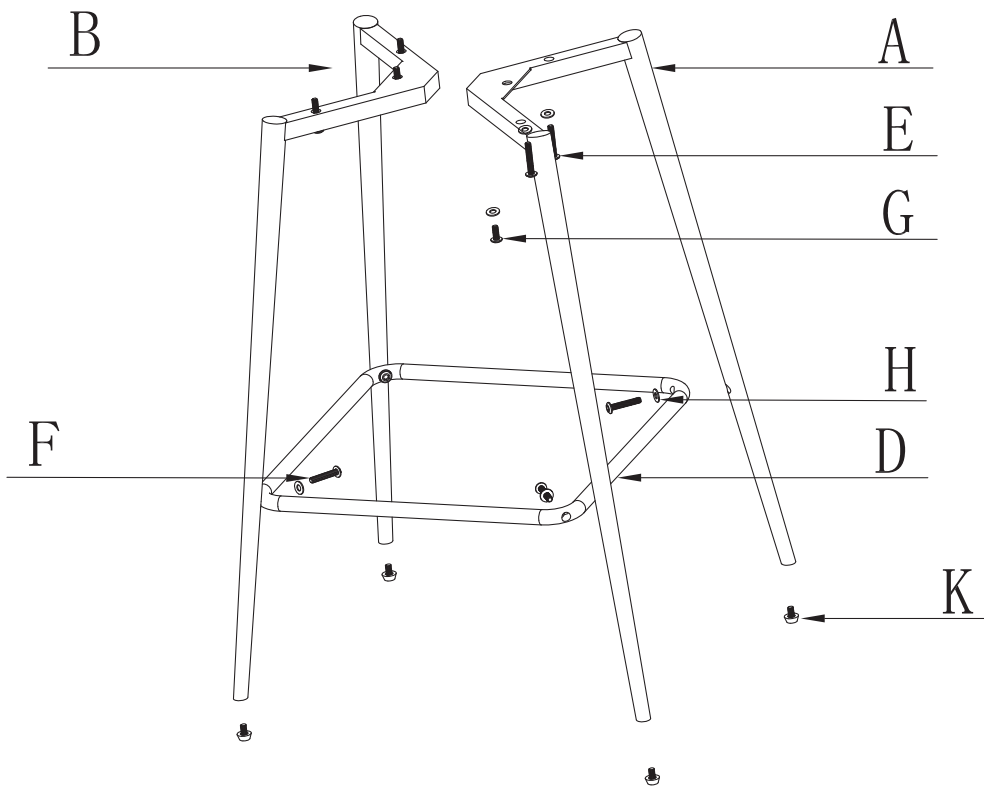
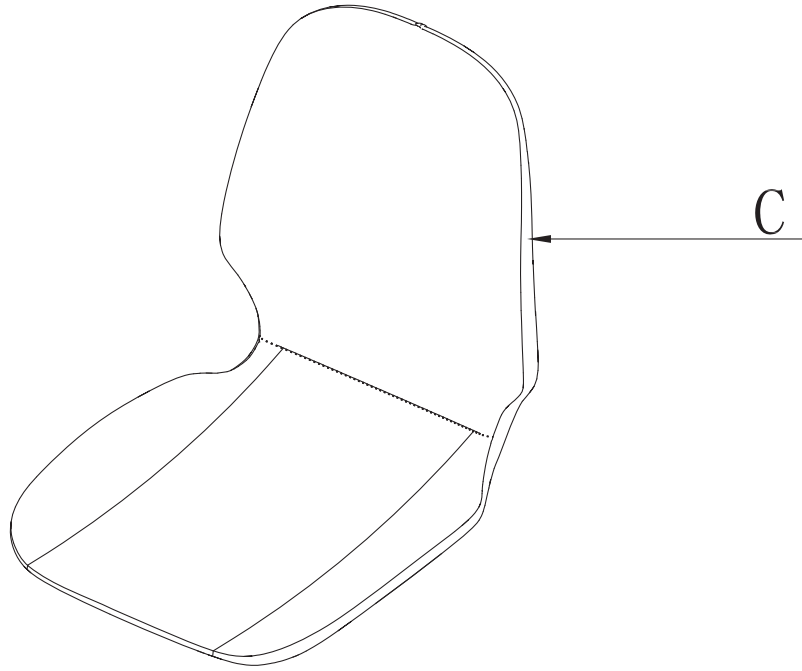


WARNING

- **Assembly:** Adult assembly required.
CHOKING HAZARD: Small screws and parts can pose a choking risk. Keep them away from children under 3 years old.
- **Packaging:** Keep these packaging materials out of reach of children.
- **Inspection:** check the product for wear and tear, and any part is damaged, missing, or has loose screws. Check all fasteners regularly.
- **Weight Limit:** 300 lbs.
- **Safety:** Keep away from heat sources.
- **Storage:** Do not leave outdoors or near wet surroundings.

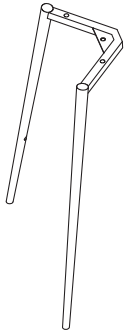
2

PRODUCT SPECIFICATIONS



PARTS LIST

A



x1

B



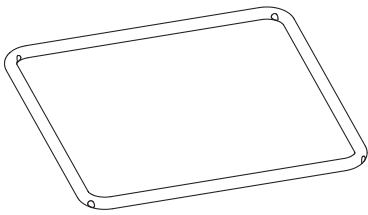
x1

C



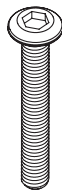
x1

D



x1

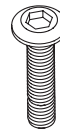
E



6*35mm

x4

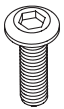
F



6*30mm

x4

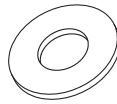
G



6*15mm

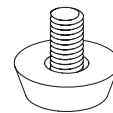
x2

H



x10

K

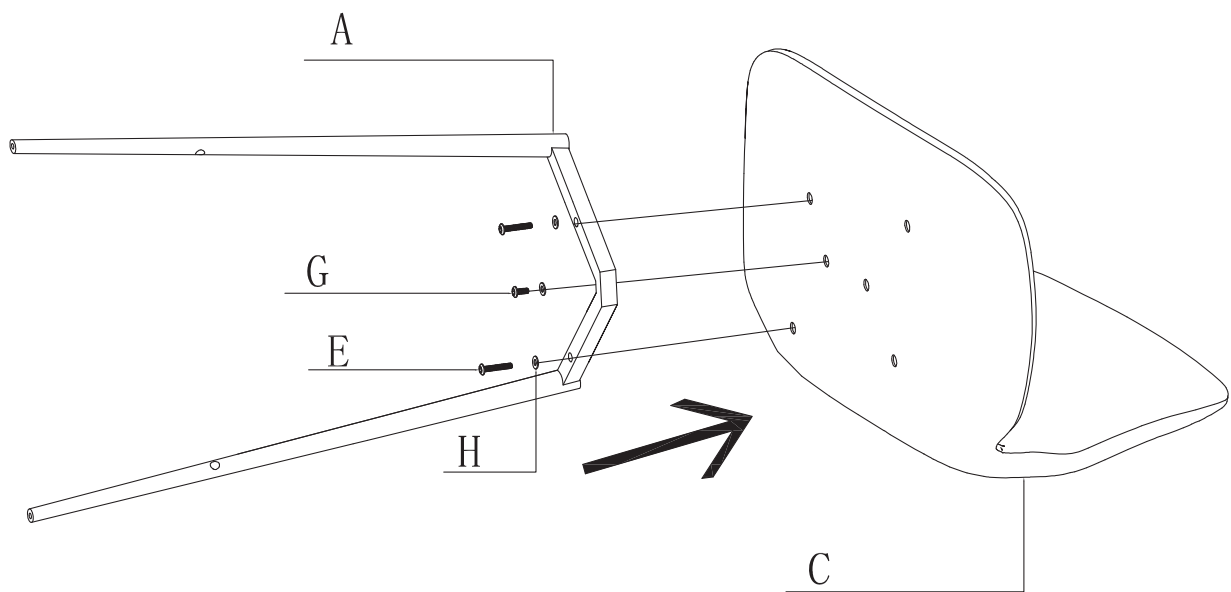


x4

4

STEP 1

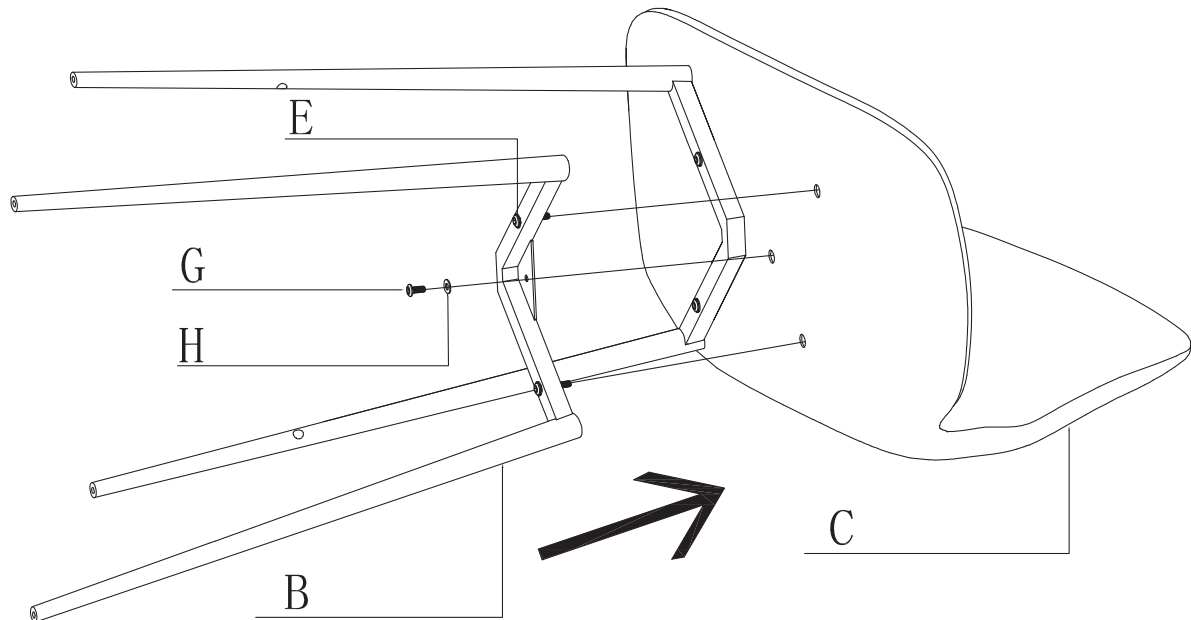
Insert part G into the hole at the bottom of the seat C using screws E and washers F, ensuring part A is properly aligned.



5

STEP 2

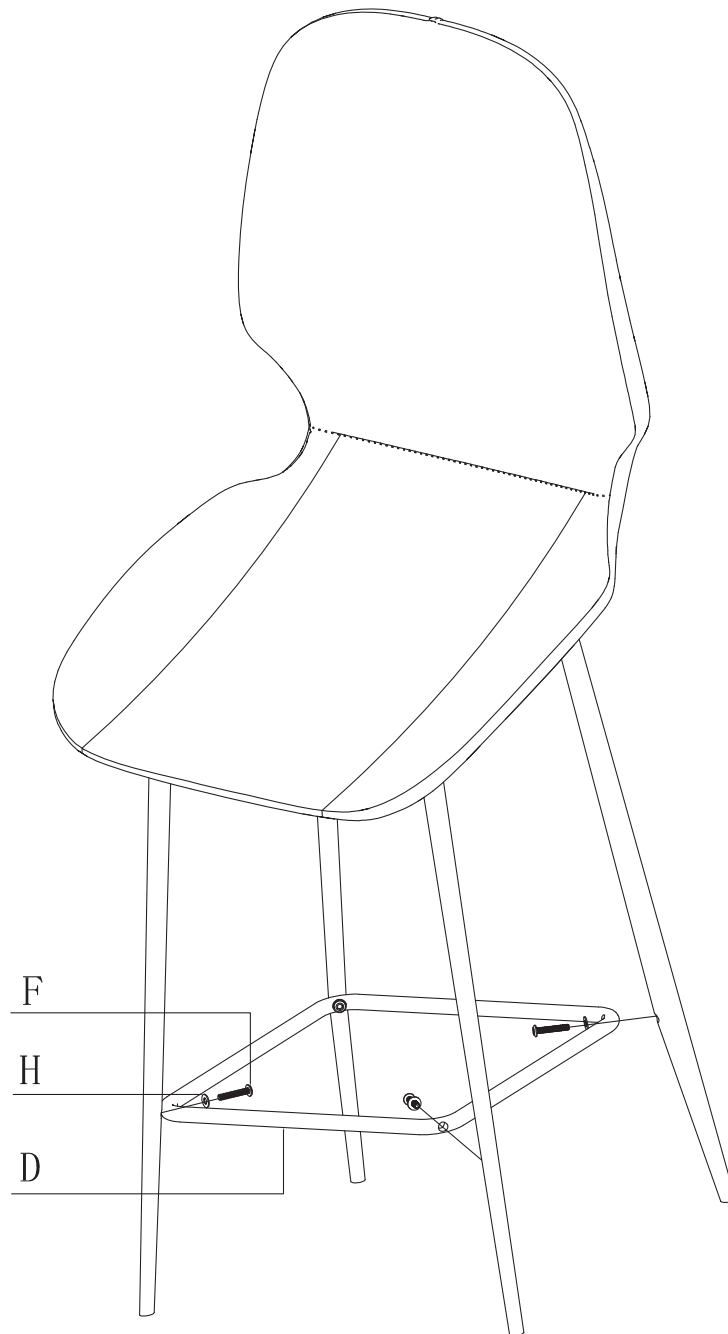
Align part B with the hole at the bottom of the seat C, and insert screws G and washers H into the holes.



6

STEP 3

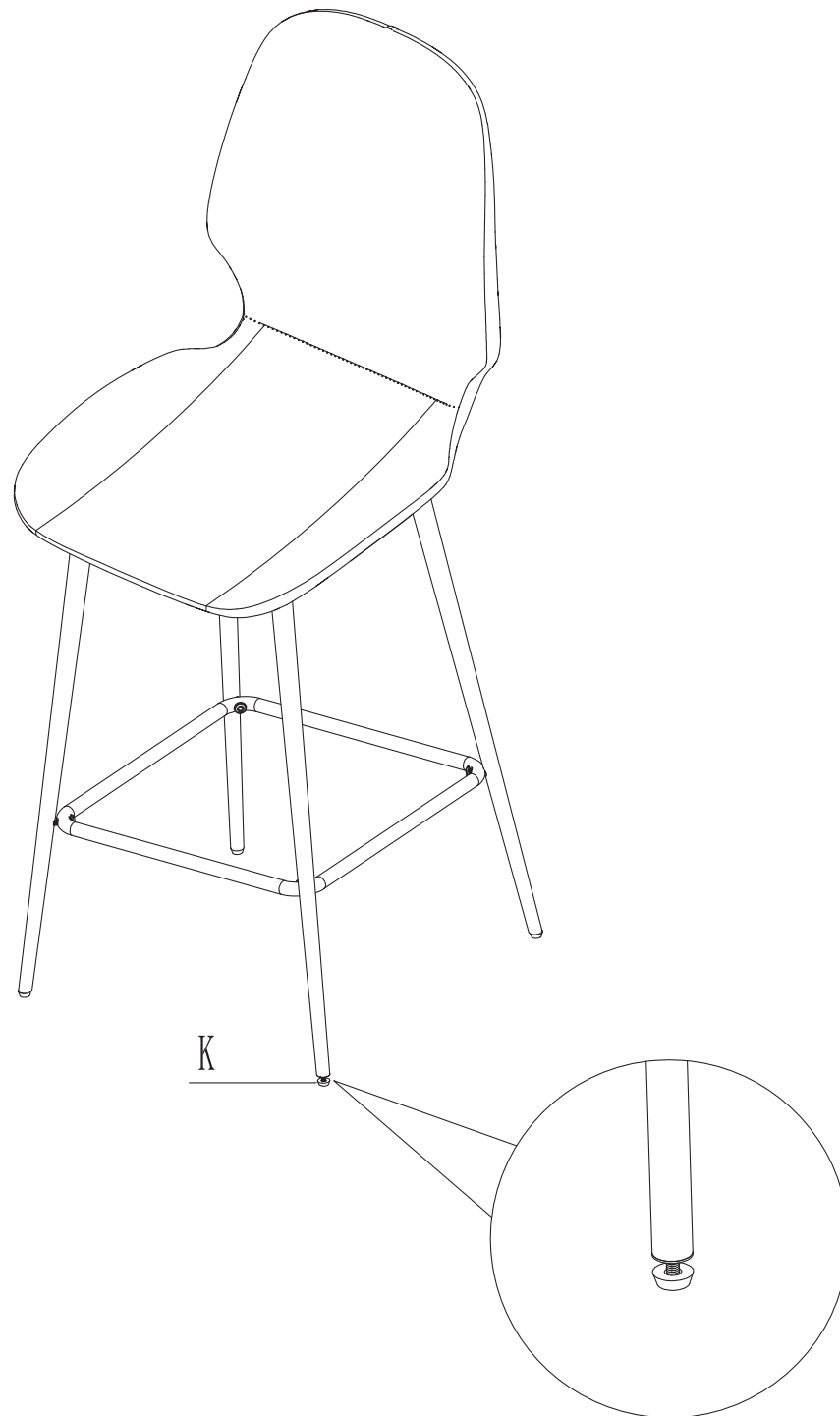
Align the hole on leg D with the corresponding hole on the frame, and secure it with screws F.



7

STEP 4

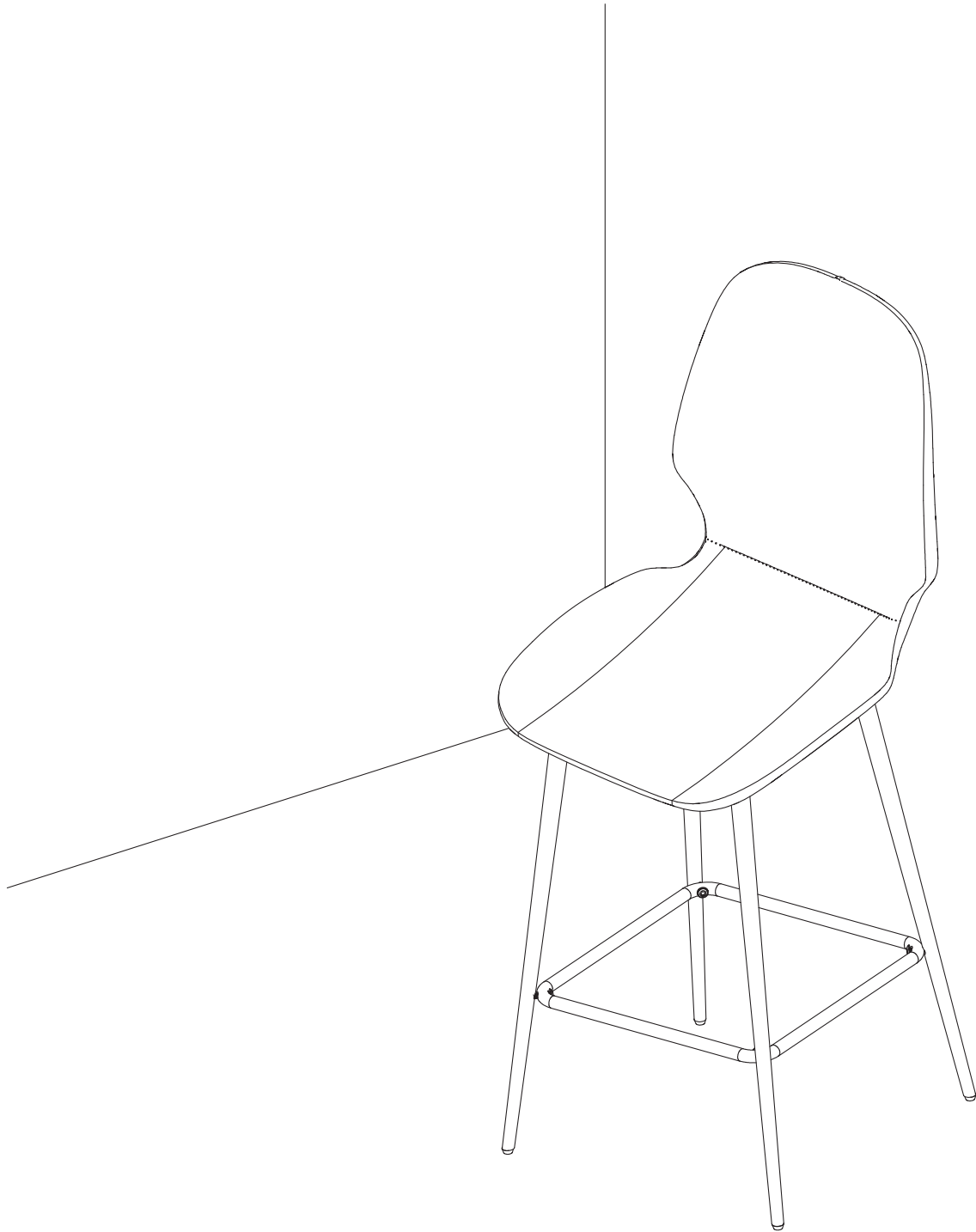
After installation, adjust the height of the footrest K to ensure stability.



8

STEP 5

Installation completed



MAINTENANCE AND PRESERVATION

WARRANTY

metal furniture are generally more durable than plastic ones, but they can sometimes break. While metal furniture can last many years with proper care, products are not guaranteed against damage due to play and use.

Products sold are guaranteed against defects in materials and workmanship for twelve (12) months from the date of original purchase. This warranty is valid only under normal use and for the intended purpose of the product.