

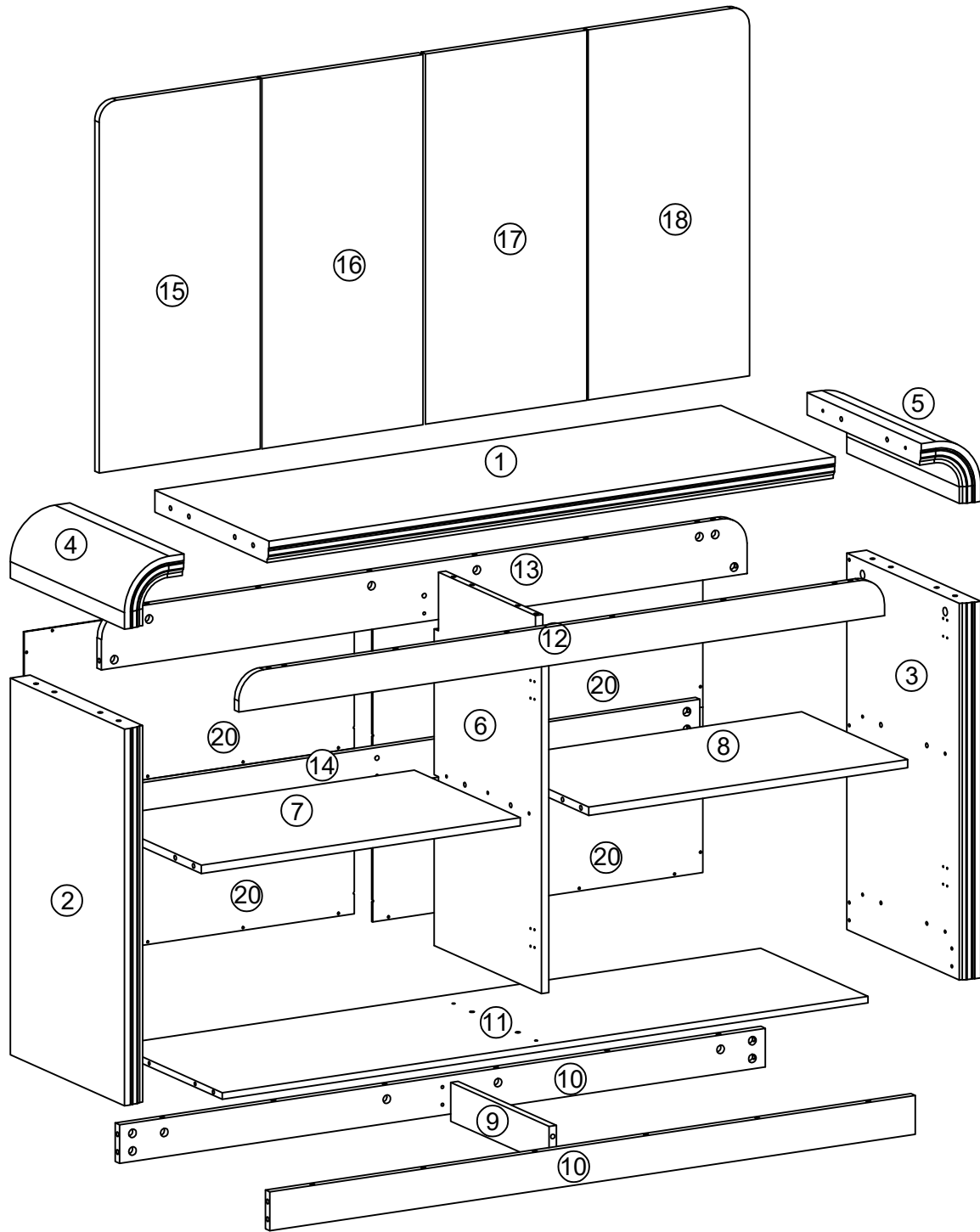
Multifunctional storage

Assembly Instructions

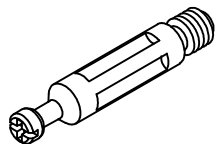
we recommend using the included manual installation tool for assembly.
If you choose to use a power drill, please set it to the lowest torque setting
to prevent over-tightening, which may damage the wooden panels.



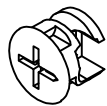
Parts List



Hardware

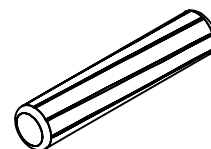


A x 64sets



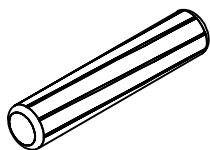
Ø15X9.5MM

B x 64sets



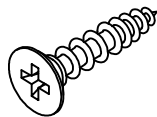
Ø8 x 30MM

C x 32pcs



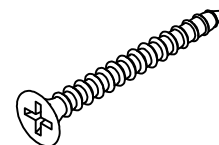
Ø6 x 30MM

D x 5sets



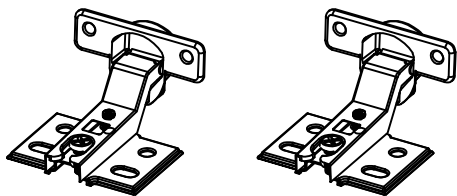
3.5 x 12MM

E x 70pcs



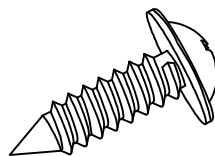
3.5 x 35MM

F x2pcs



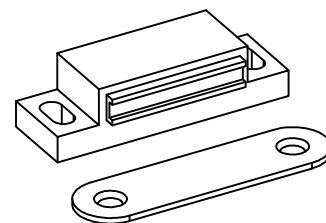
Ⓒ x 4sets

Ⓓ x 4sets

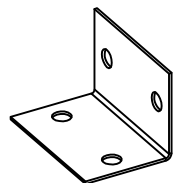


3.5 x 12MM

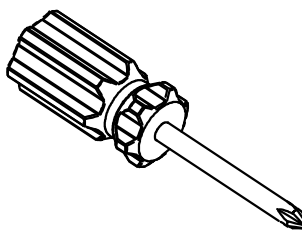
I x46pcs



J x4pcs




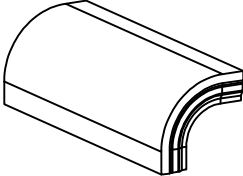
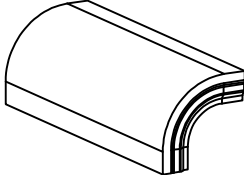



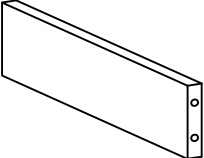

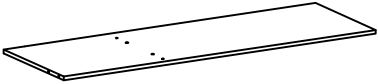

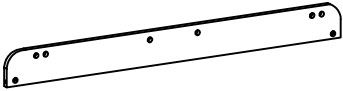





K x1pcs


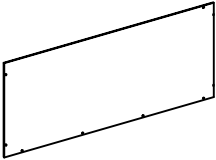


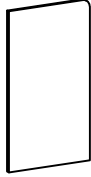
L x1pcs

ASSEMBLY MATERIAL


Item no.	Reference Image	Oty.	Item no.	Reference Image	Oty.
①		X1	②		X1
③		X1	④		X1
⑤		X1	⑥		X1
⑦		X1	⑧		X1
⑨		X1	⑩		X1
⑪		X1	⑫		X1
⑬		X1	⑭		X1
⑮		X1	⑯		X1


ASSEMBLY MATERIAL

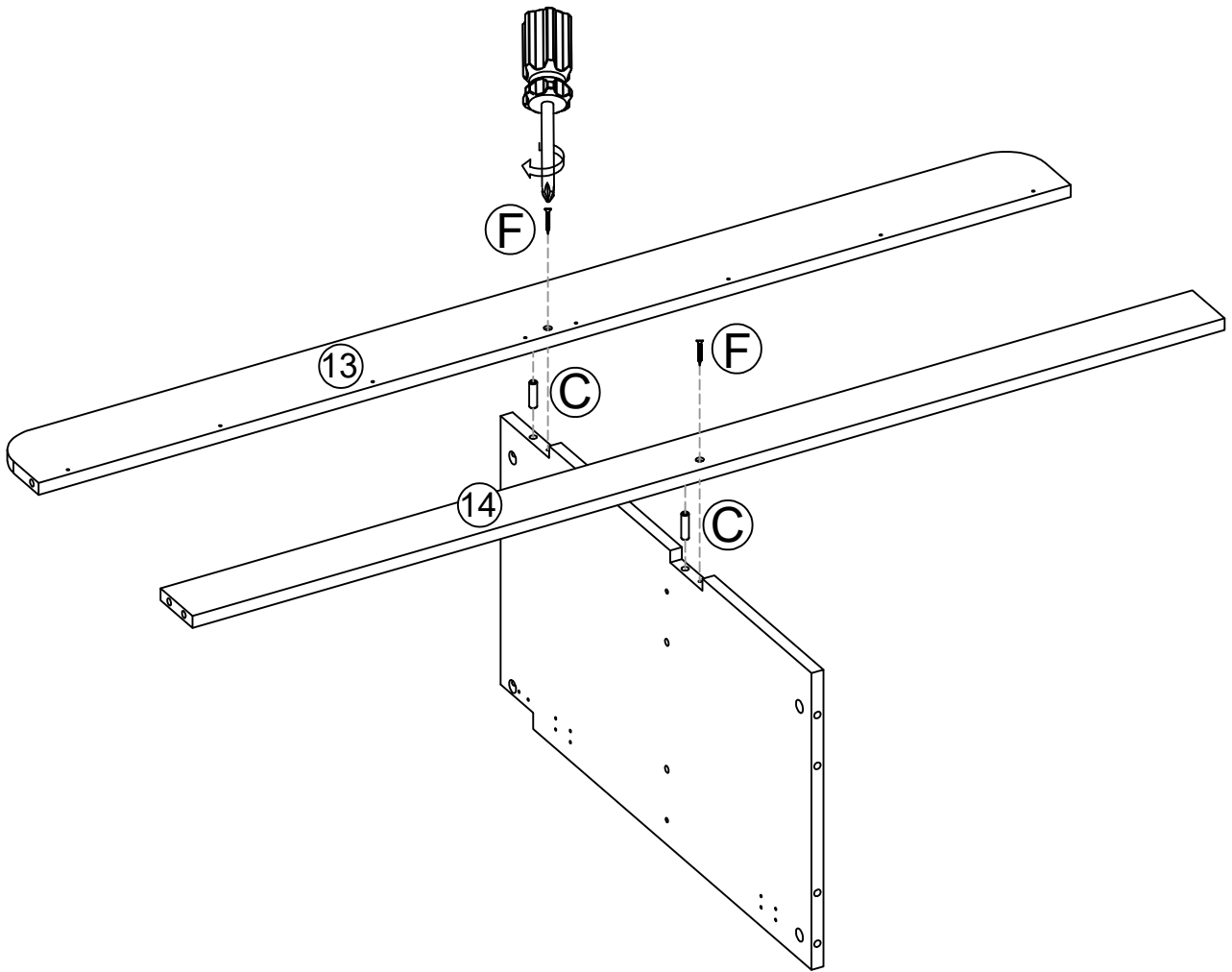
Item no.	Reference Image	Oty.
17		X1
19		X4

Item no.	Reference Image	Oty.
18		X1


Step 1


(C) 
Ø8*30mm
2X


(F) 
Ø3.5*35mm
2X




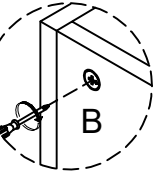
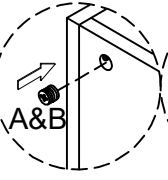
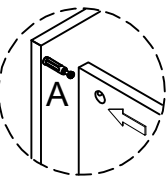
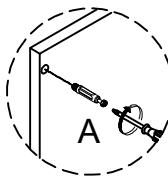
Step 2

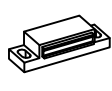
(A)  4X

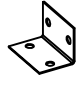
(B)  4X

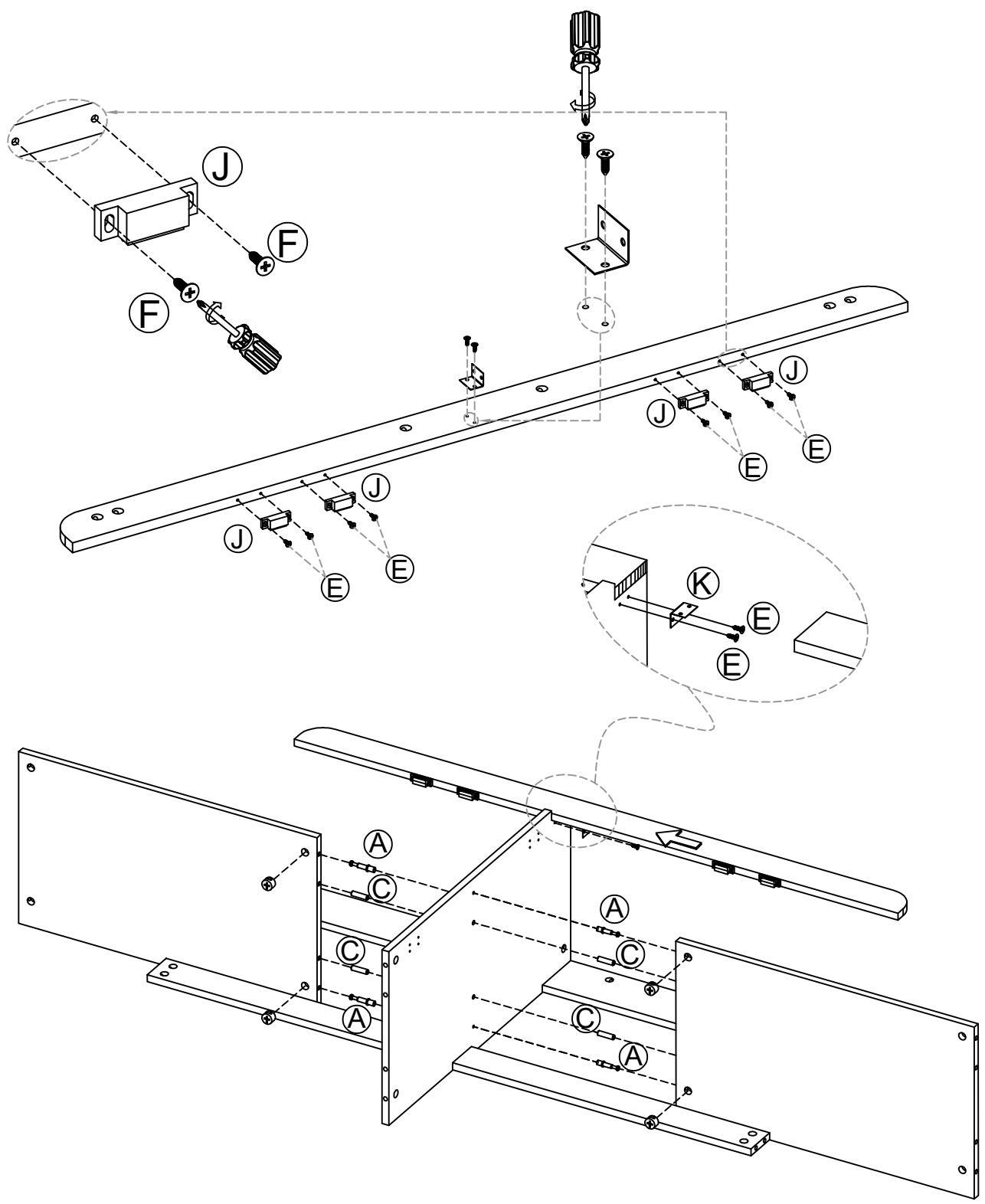
(C)  $\phi 8 \times 30\text{mm}$ 4X

(E)  $\phi 3.5 \times 12\text{mm}$ 12X

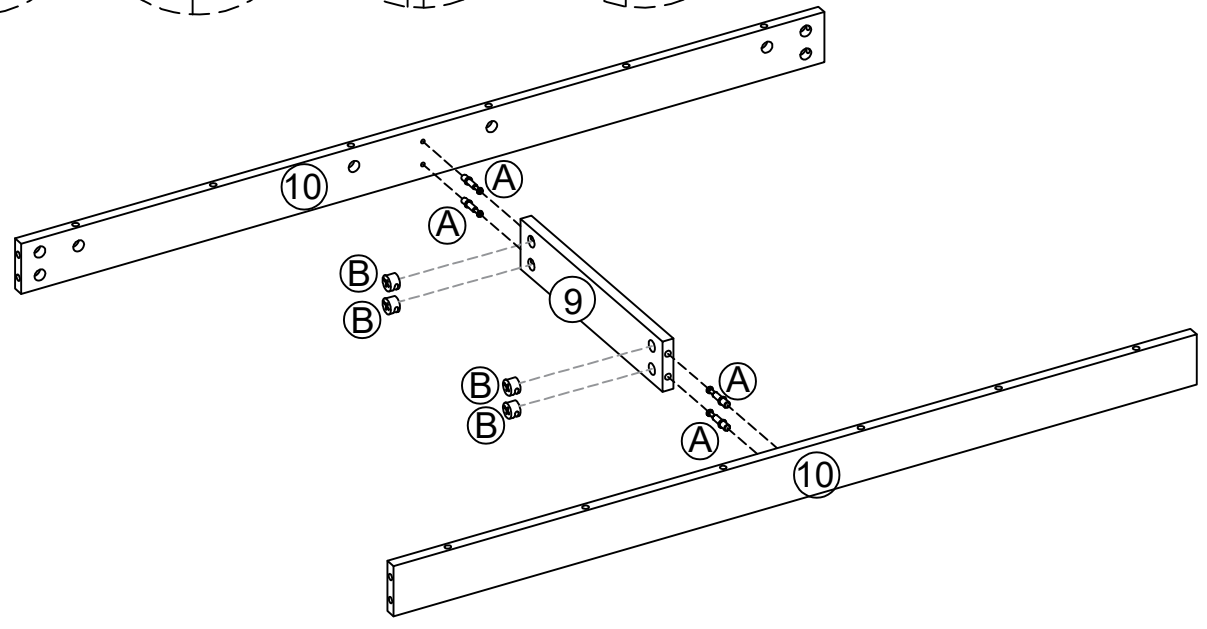
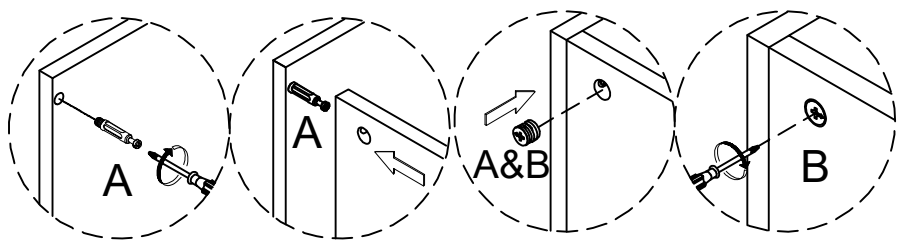
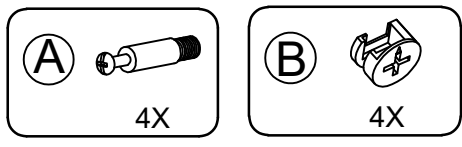


(J)  4X

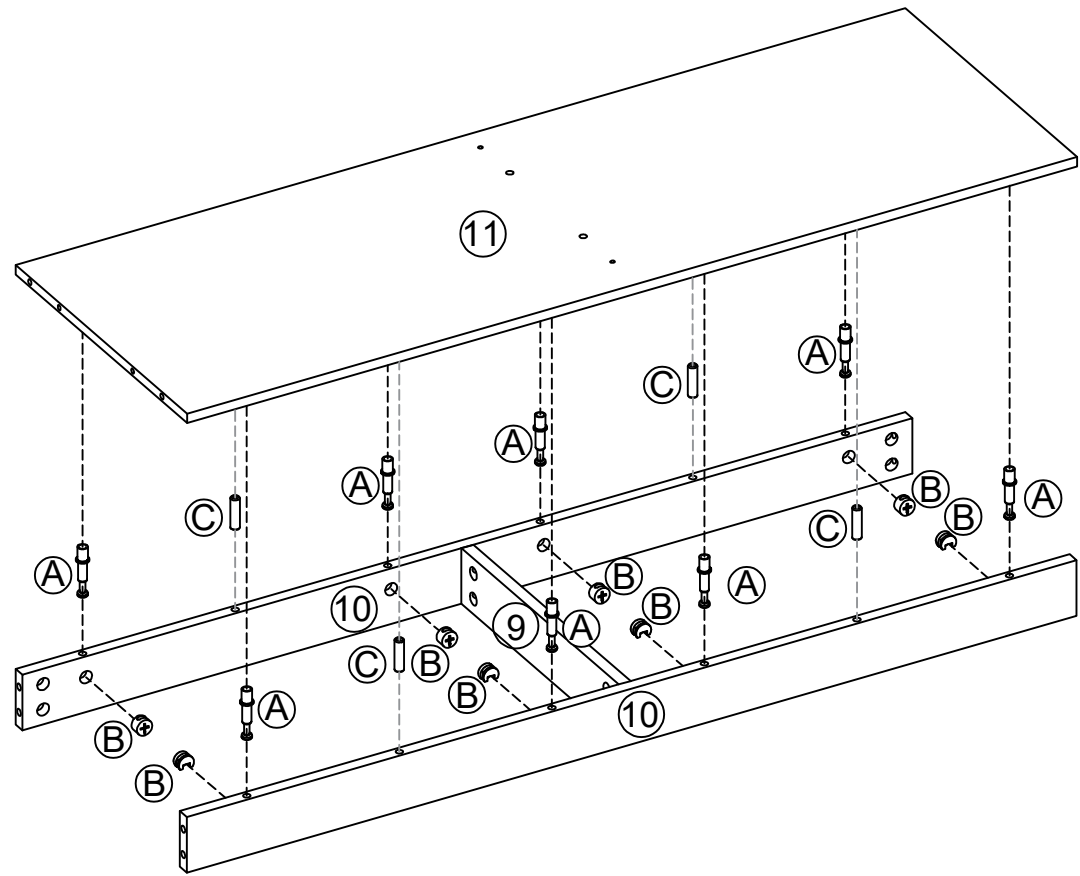
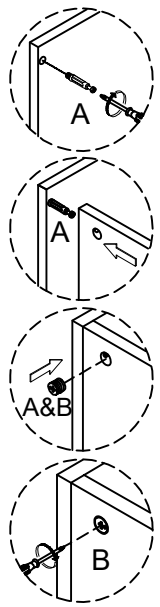
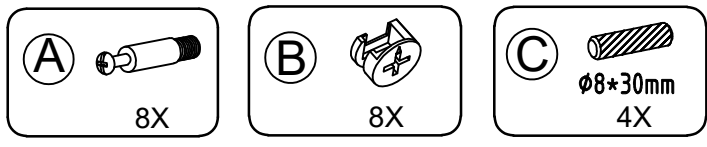
(K)  1X



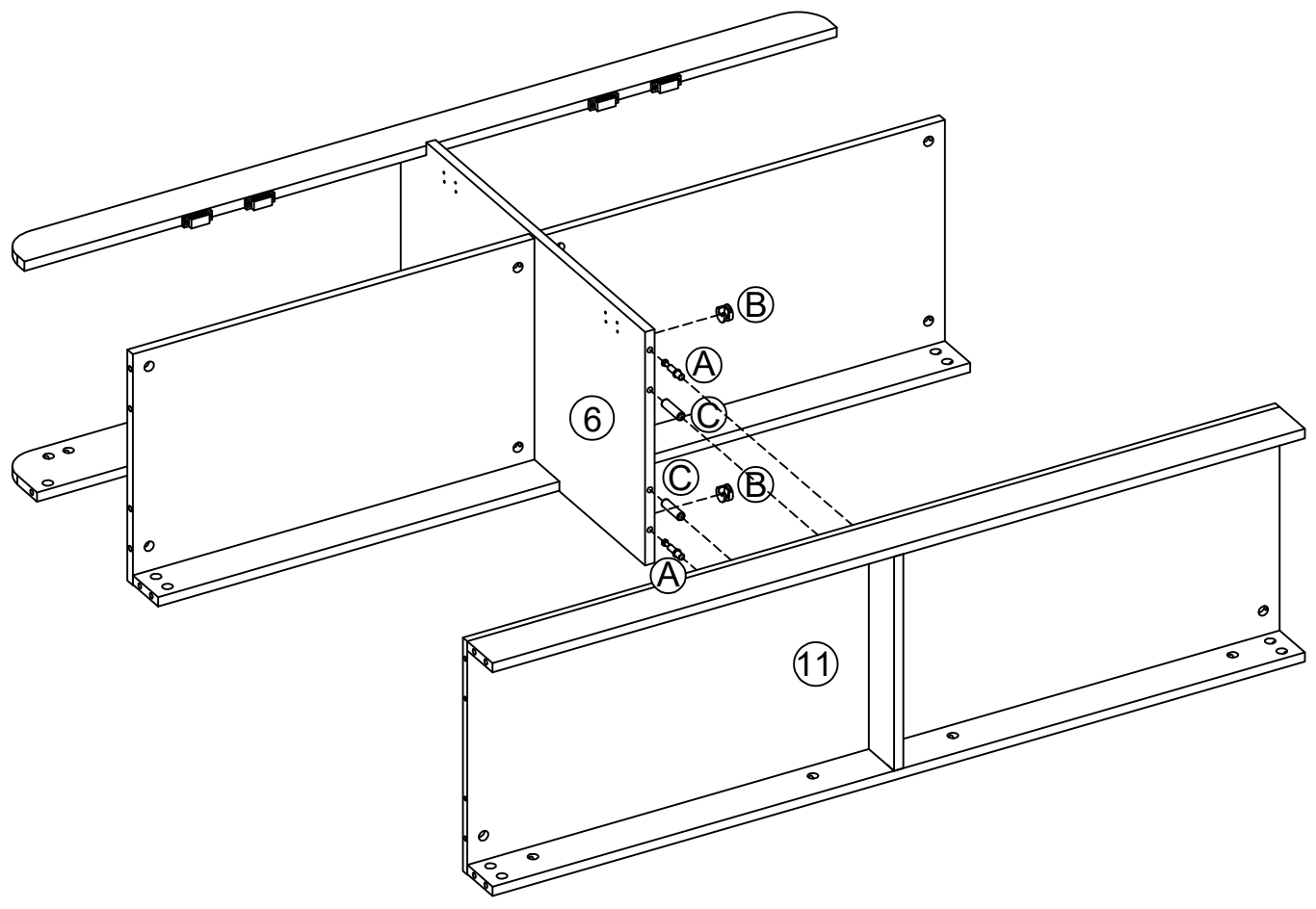
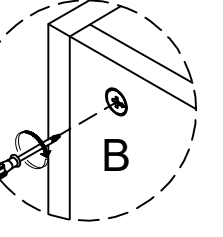
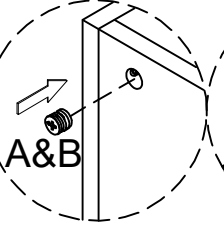
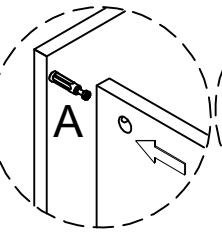
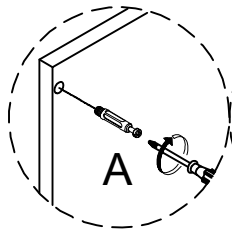
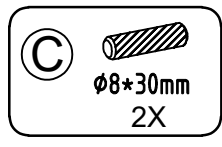
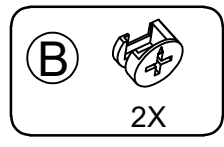
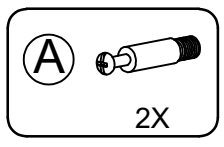
Step 3




Step 4





Step 5




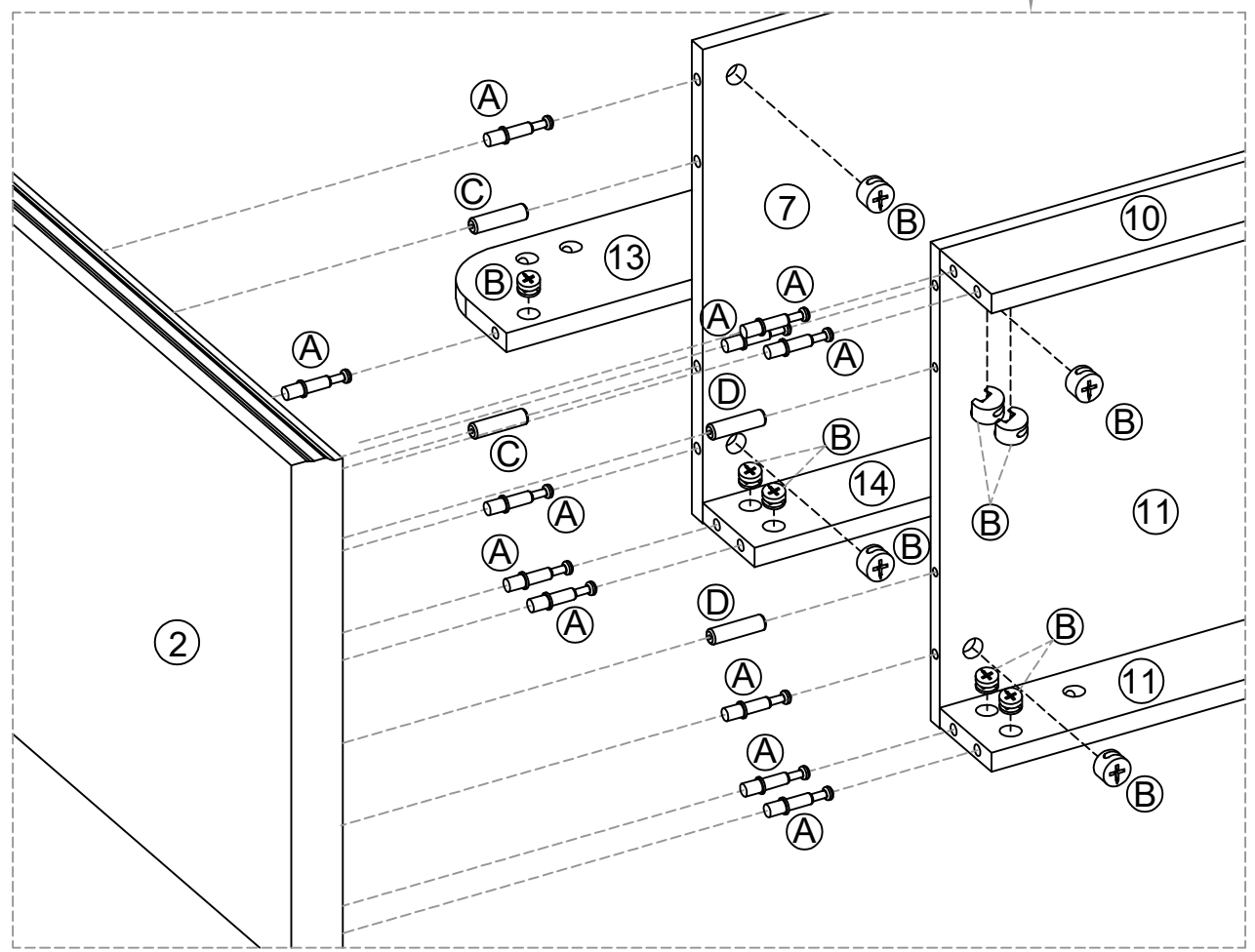
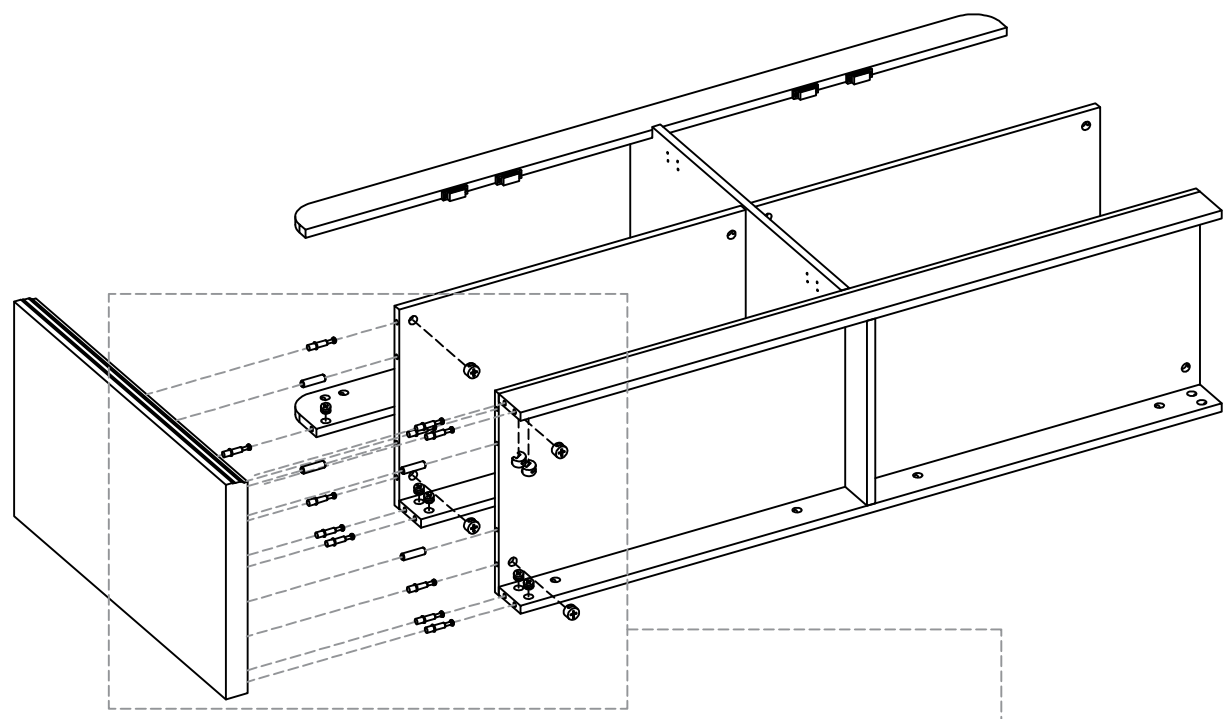
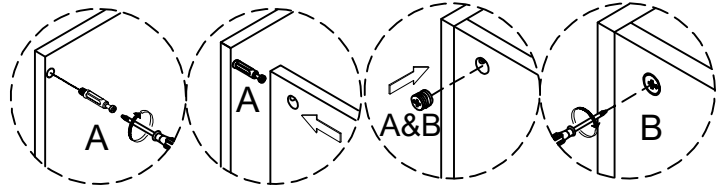
Step 6

(A)  11X

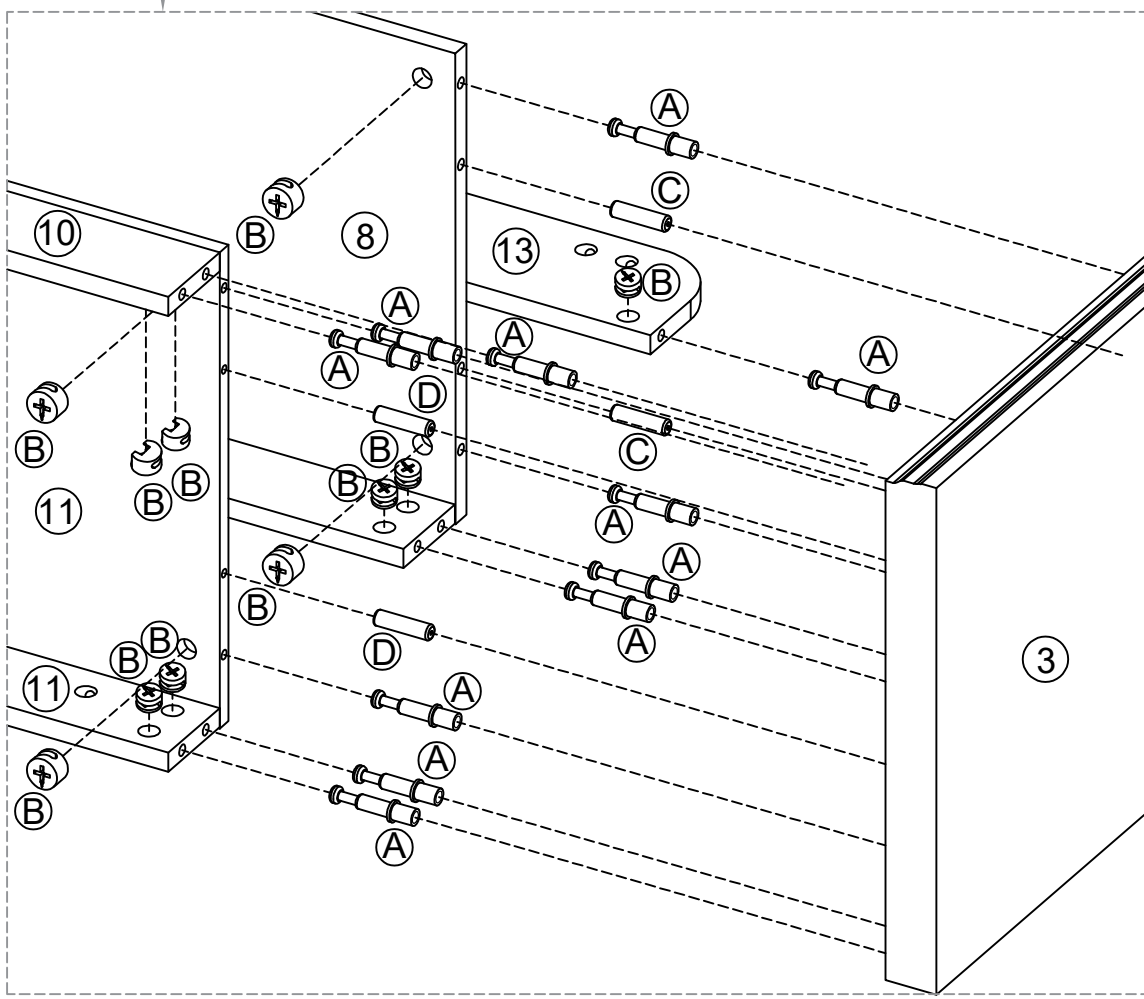
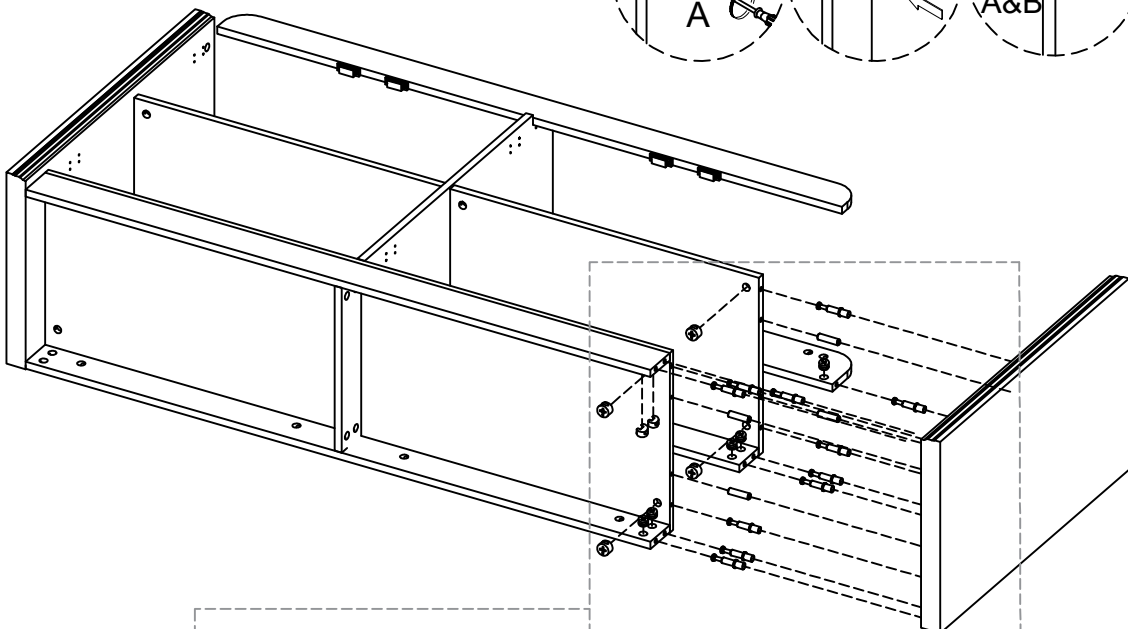
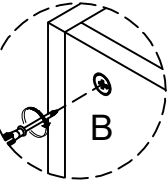
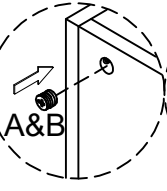
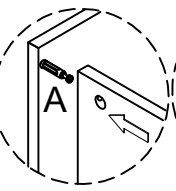
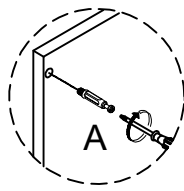
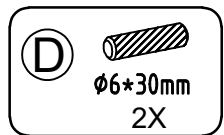
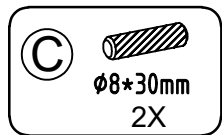
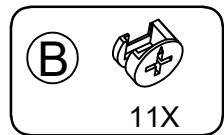
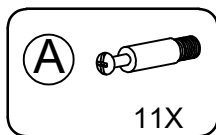
(B)  11X

(C)  $\phi 8 \times 30\text{mm}$ 2X

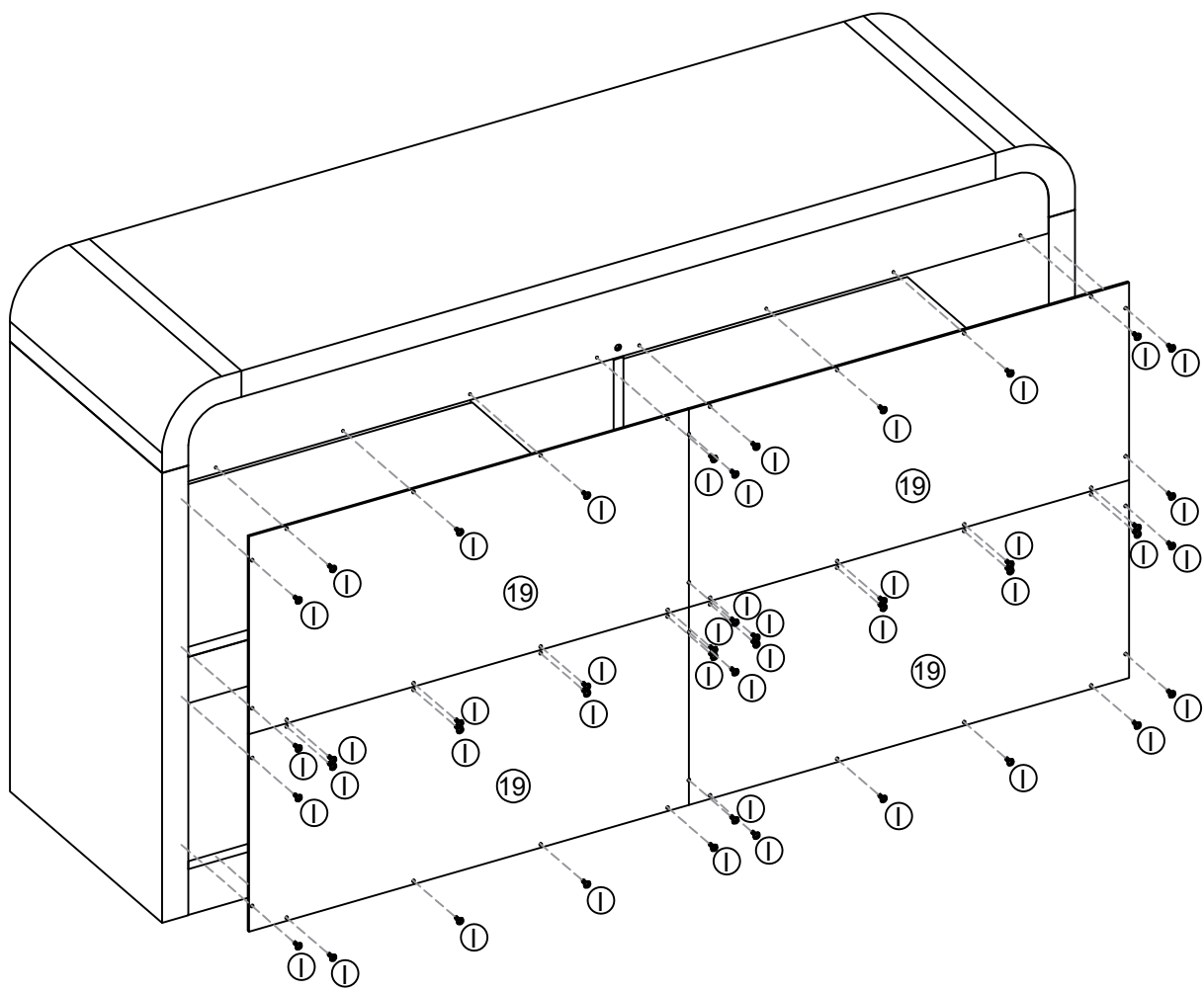
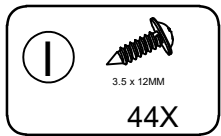
(D)  $\phi 6 \times 30\text{mm}$ 2X



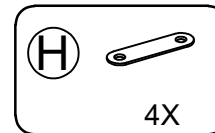
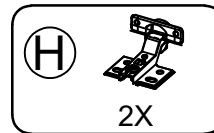
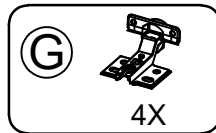
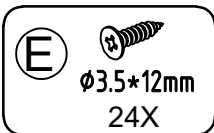
Step 7



Step 9

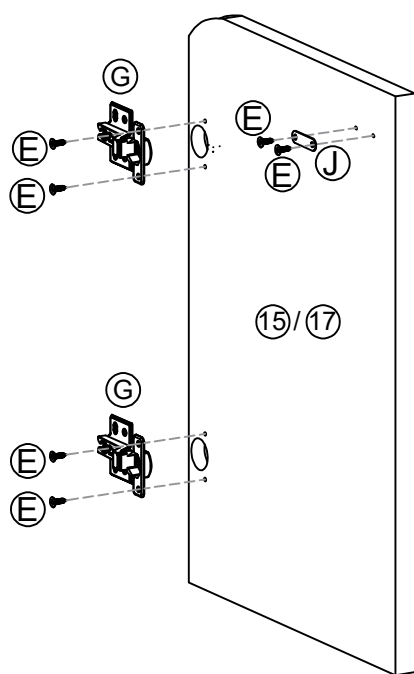


Step 10

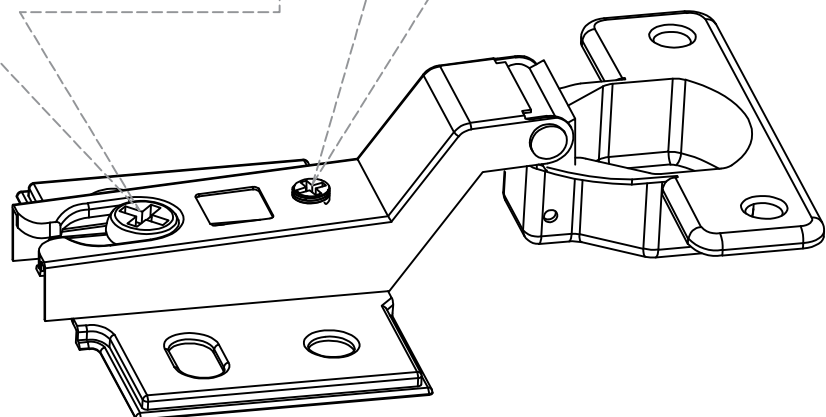


Clockwise rotation of the bolt increases the door hinge height; counterclockwise rotation of the bolt decreases the door hinge height.

Loosen the screw to adjust the length of the door hinge



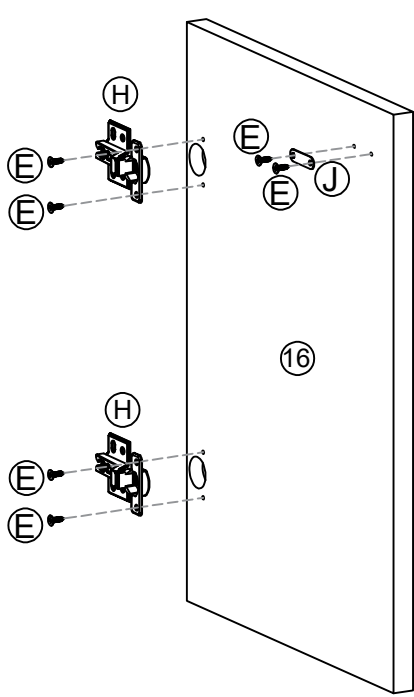
X2



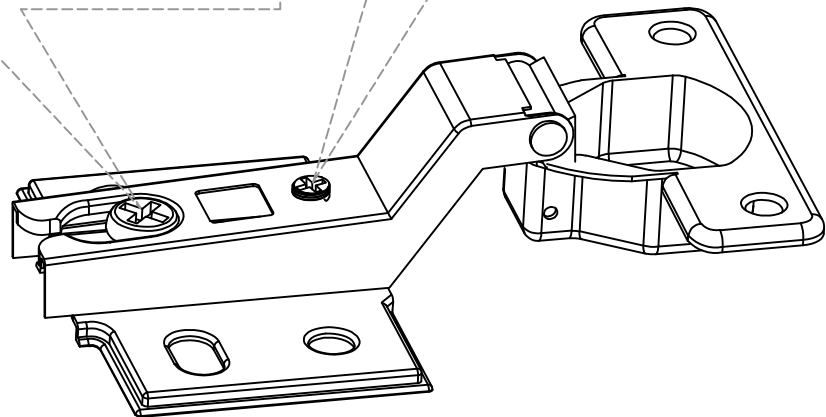
Hinge of big bend

Clockwise rotation of the bolt increases the door hinge height; counterclockwise rotation of the bolt decreases the door hinge height.

Loosen the screw to adjust the length of the door hinge

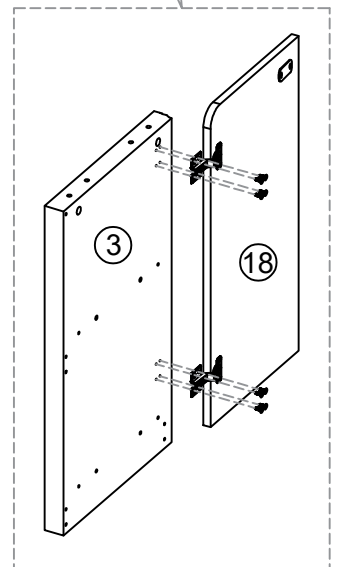
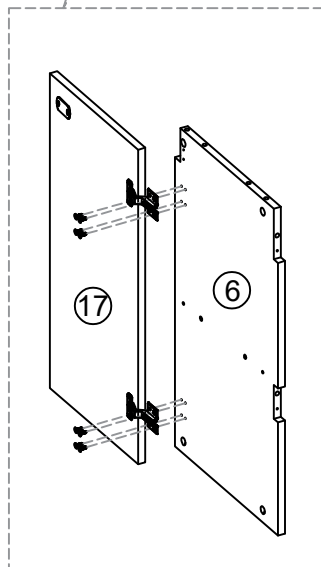
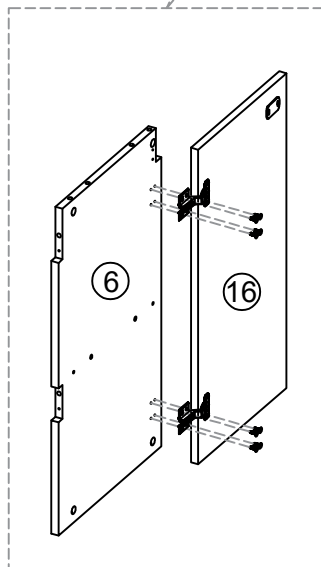
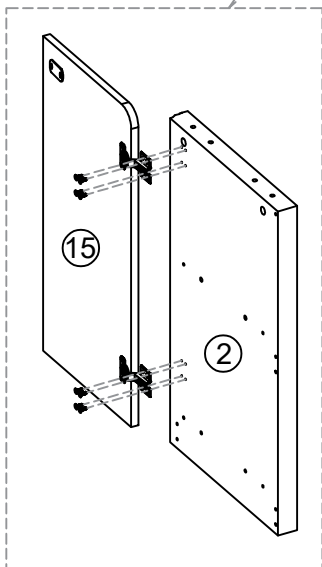
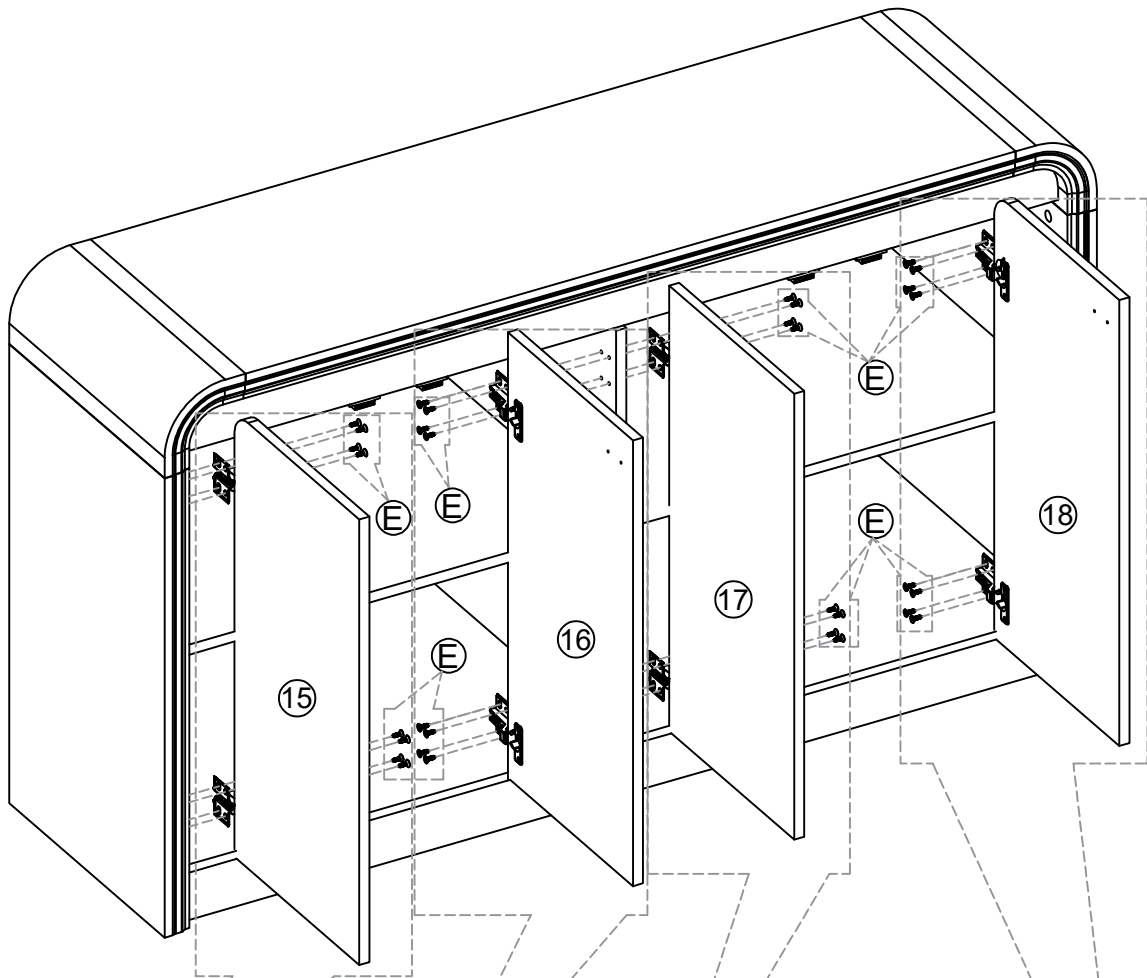
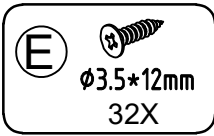


X2



Hinge with a medium bend

Step 11



Step 12

