

Electronic Security Home Safe Instruction Manual

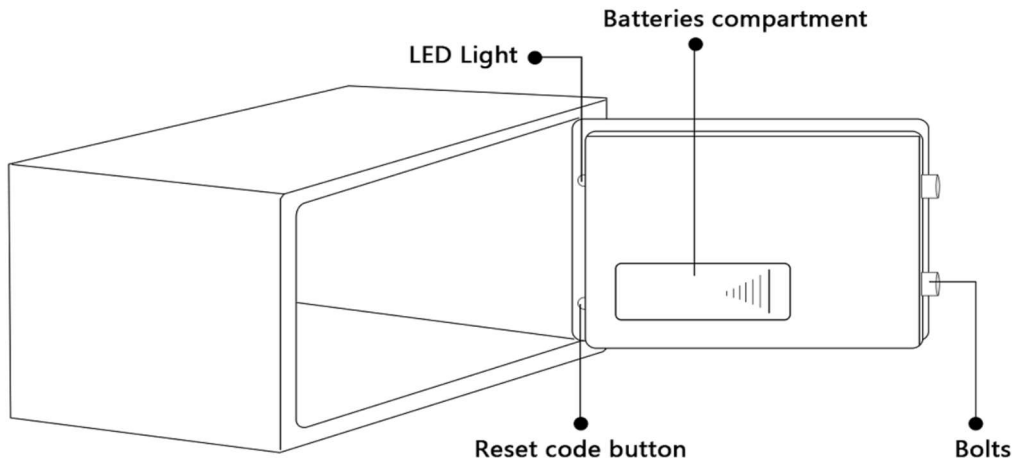
(!) Please do not keep emergency keys in your safe!

Dear valued customer:

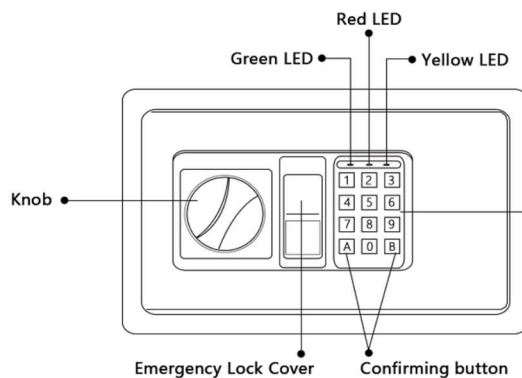
Thank you for choosing our products! You have taken an important step in organizing and protecting your most valued possessions. Every series of our safes is professionally made and designed to provide safety. Please take time to read and familiarize yourself with the proper operating procedures of your new safe presented on the following pages.

Again, thank you for choosing our products!

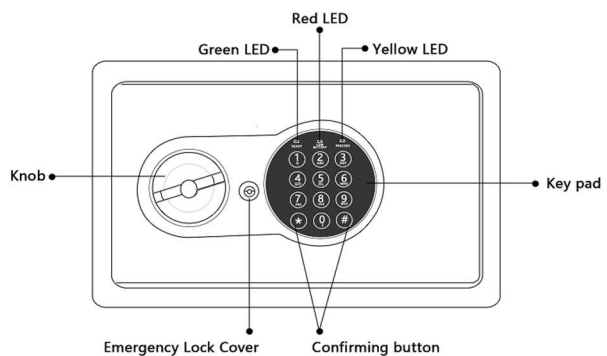
PRODUCT OVERVIEW



EN,EDH:



ET:



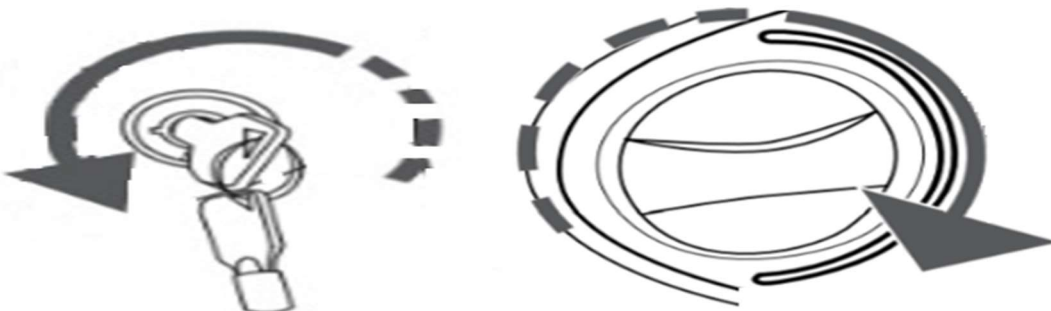
Package Includes:

- 1 x Cabinet safe
- 2 x Emergency Keys
- 1 x User Manual
- 4 x 1.5V AA Batteries (inside safe box)
- 2 x Expansion bolts

Opening your safe for the first time

Use your emergency key the first time you open your safe, if you don't know the codes, or if there is an electronic circuit malfunction.

1. remove emergency lock cover.
2. insert the emergency key deeply enough and turn it anticlockwise, then turn the knob clockwise to open the door.



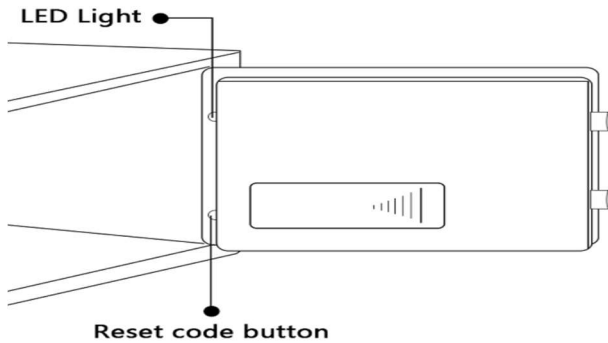
Installing the batteries

-Open the door, Open the battery compartment and insert four AA batteries (included). Make sure that the batteries match the "+" and "-" in the compartment.

NOTES: Replace the batteries if the low battery light is on Red LED.

Setting the user code

1. With the door open, press the Reset button. You will hear two beeps and the yellow LED goes on.



2. Input the new code (3-8 digits) on the keypad (within 20 seconds), then press the confirming button to confirm with two beeps and yellow LED flash two times, which indicates the acceptance and storage of the new code. If it with three beeps and the yellow LED flash three times, the code reset is not accepted and you need to try again.

3. Before you close the door, try the new code to make sure it works.

Setting the master code

Use the master code to enter your safe if you forget your User Code.

1. With the door open, press **0, 0**, on the keypad then press the Reset button. You will hear three beeps and the yellow LED goes on.

2. Input the new code (3-8 digits) on the keypad (within 20 seconds), then press the confirming button to confirm with two beeps and yellow LED flash two times, which indicates the acceptance and storage of the new code. If it with three beeps and the yellow LED flash three times, the code reset is not accepted and you need to try again.

Opening your safe – after the first time

-Input your user code (3 to 8 digits) on the keypad. Press the confirming button to confirm. The green LED turns on. Rotate the knob clockwise, then open the door. (NOTE: The preset user code is "159".)

Locking the safe

-Close the door, then turn the knob anticlockwise to lock it.

Automatic lockout

-If an incorrect code is entered three times, the safe locks for 30 seconds. Three additional incorrect entries lock the safe for five minutes. (you can use the emergency key to opening you safe and take down the battery, the automatic lockout will disappear)

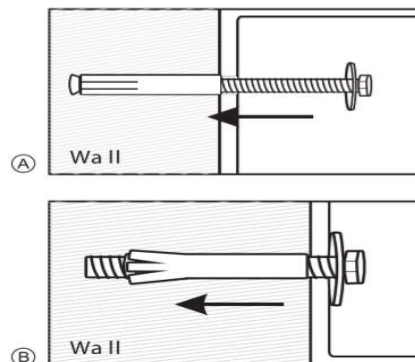
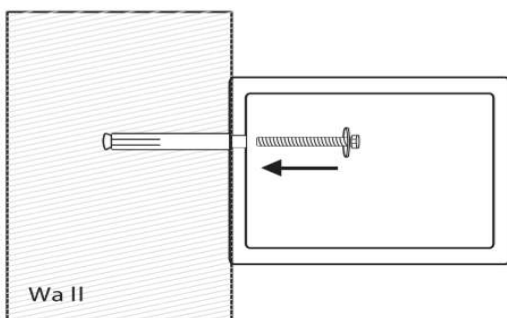
Securing the safe

Bolt down your safe for maximum security.

Fix the safe in the place which is not easy to move.

- Drill holes for expansion bolts (or clamping screws) in the right place.
- Turn the expansion bolts counter clockwise to separate.
- Use the expansion bolts (or clamping screws) to secure the case to the wall.
- Make sure the case is mounted in place as required and then tighten all screws.

⚠ CAUTION: Use the expansion bolt when there is a concrete wall surface. Use the clamping screw when there is a wooden wall surface.



Troubleshooting

The safe won't open when I enter my code.

- Make sure you entered the correct code.
- Press the confirming button to confirm after entering the code.
- You might be in lockout mode. Wait 5 minutes and try again.
- Replace the batteries.

The door won't shut.

- Make sure there are no obstructions.
- If the door bolts are extended, re-enter the user code and turn the knob clockwise to retract them.

Both the red and green LED are on at the same time.

- Replace the batteries.
- The yellow light is flashing three times with three beeps.
- Make sure you entered the correct code.
- Press the confirming button after entering the code.

Specifications

- Power supply: 4 X AA batteries (included)

Safety and Compliance

1. Read the user manual carefully before you use this safe.
2. To reduce the risk of theft, the safe must be affixed to the wall or floor, securing the safe.
3. Please take care of the emergency key and keep them in one secret place out of safe, please do not put the emergency keys inside the safe, otherwise, you can not open the safe with emergency key if battery used up or you forget the pass code. If you need replace the emergency keys, please contact the customer service. Go to your Amazon account find the order.
4. For security of your property, you will need to change the preset code.
5. Do not place the product in an insecure and elevated place, lest it may fall over and damage the product or hurt people. Never spill liquid over the control panel, or it may cause electrical shock to the electronic parts inside and disable their proper functions.
6. Never try to dismantle the product by yourself. Unguided dismantling and incorrect reassembly of the inside of back cover may damage the electrical circuit and affects its performance. Where maintenance is required, please contact the customer service.
7. If you have any questions, you can contact us as soon as possible, and we will definitely give you a satisfactory solution.

our customer service email: homeyuer@126.com, thank you for your support.