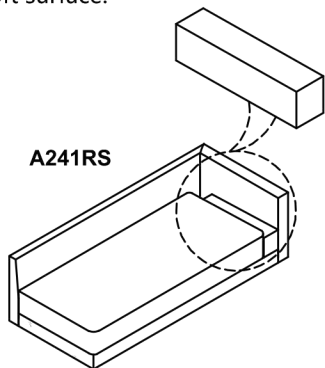
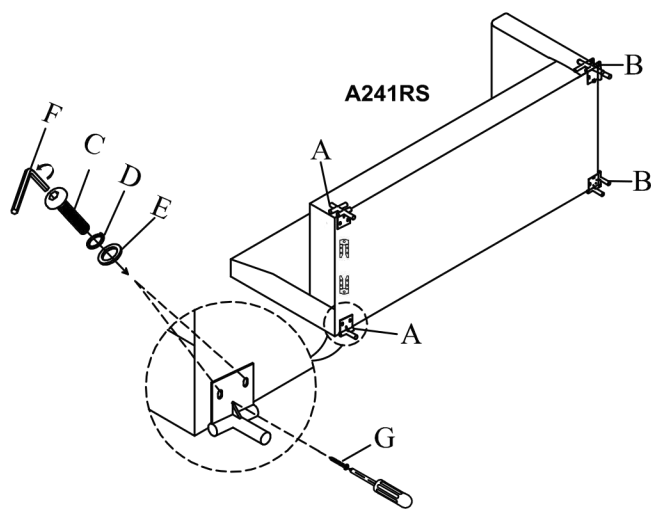


Thank you for purchasing this quality product. Be sure to check all packing material carefully for small parts that may have come loose inside the packing during shipment.

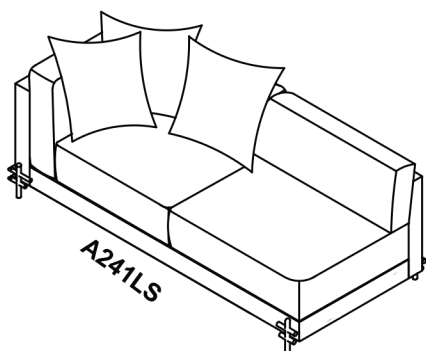
STEP 1 Please find the metal legs and hardware package in the seat, then carefully turn item on to its back onto a soft surface.



STEP 2 Assemble every metal leg (A) and metal Leg (B) tight with 2pcs flat washer (E) + 2pcs spring washer (D) + 2pcs bolt (C) by allen Key (F) and 1pc screw (G) by screwdriver as shown, not over tighten.



STEP 3 Carefully upright your furniture and set in place by carrying and not pushing or dragging. Put all cushions and pillows on A241RS RAF SECTION / A241LS LAF SECTION carefully.

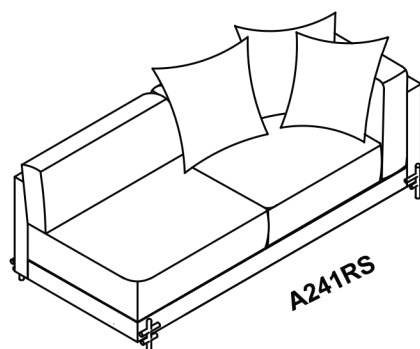


TOOLS REQUIRED (NOT PROVIDED)

Description	Sketch
Phillips Screwdriver	

PARTS LIST

No.	Description	Sketch	Quantity
A	Metal leg A		2
B	Metal leg B		2
C	Bolt		8
D	Spring Washer		8
E	Flat Washer		8
F	Allen Key		1
G	Screw		4



THE ASSEMBLY IS COMPLETED.