
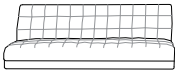


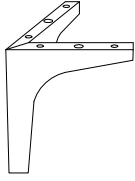
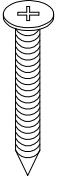
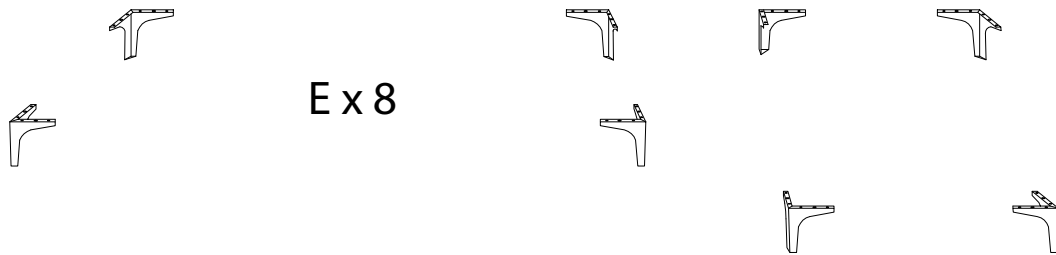
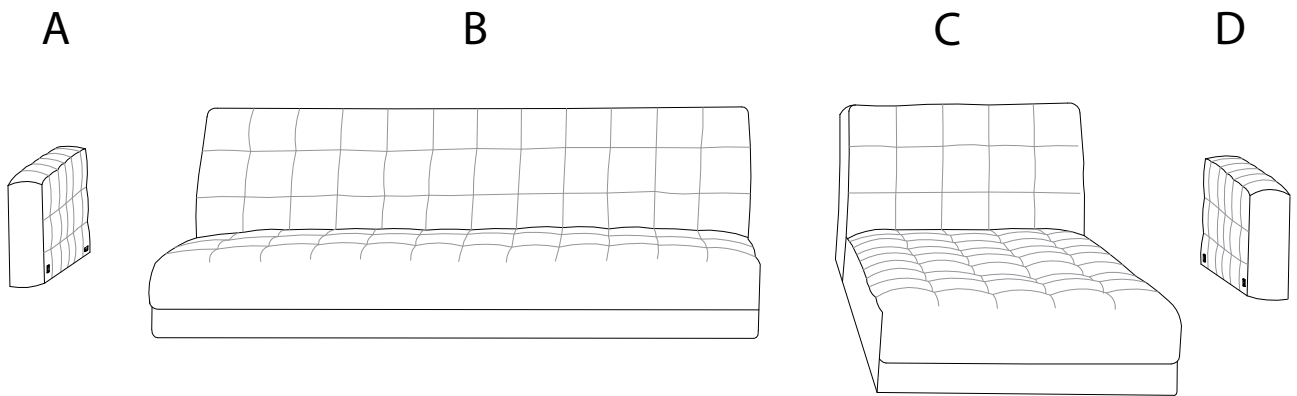

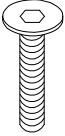

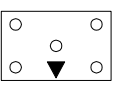
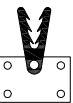


Assembly instructions for step 1/6:

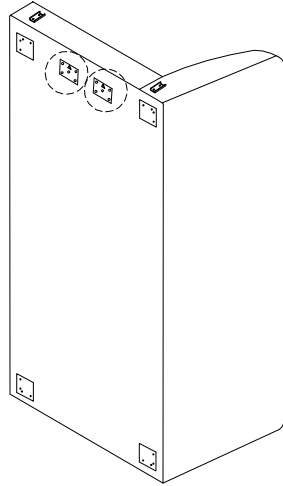
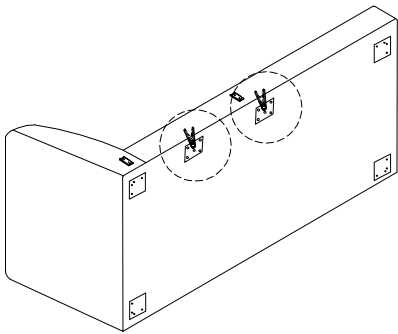
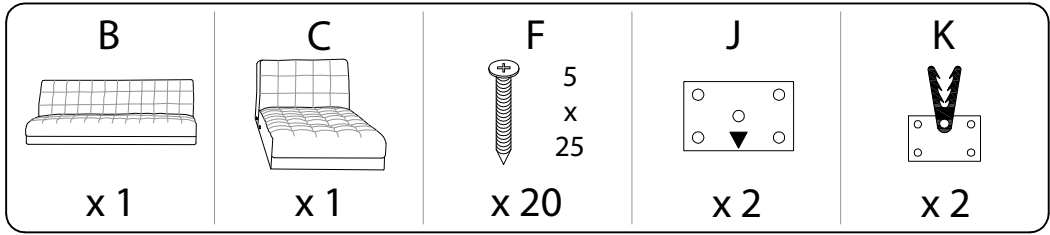
- Tools:** An icon in a circle shows an Allen key and a screwdriver. A power drill is shown with a diagonal line through it, indicating it should not be used.
- Warning:** A triangle with an exclamation mark points to the instructions.
- Time:** A clock icon indicates an estimated assembly time of 45 minutes.
- Personnel:** An icon of a person indicates that 2 people are required for assembly.

<b>A</b>	<b>B</b>	<b>C</b>	<b>D</b>	<b>E</b>	<b>F</b>
					
<b>x 1</b>	<b>x 1</b>	<b>x 1</b>	<b>x 1</b>	<b>x 8</b>	<b>5 x 25 x 52</b>

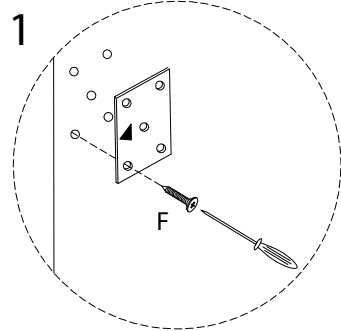


<b>G</b>	<b>H</b>	<b>I</b>	<b>J</b>	<b>K</b>
				
<b>x 4</b>	<b>M6 x 30 x 8</b>	<b>x 1</b>	<b>x 2</b>	<b>x 2</b>

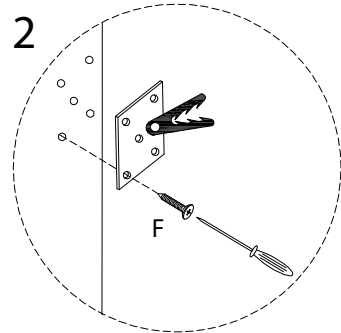
1



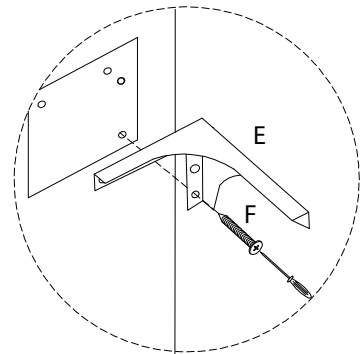
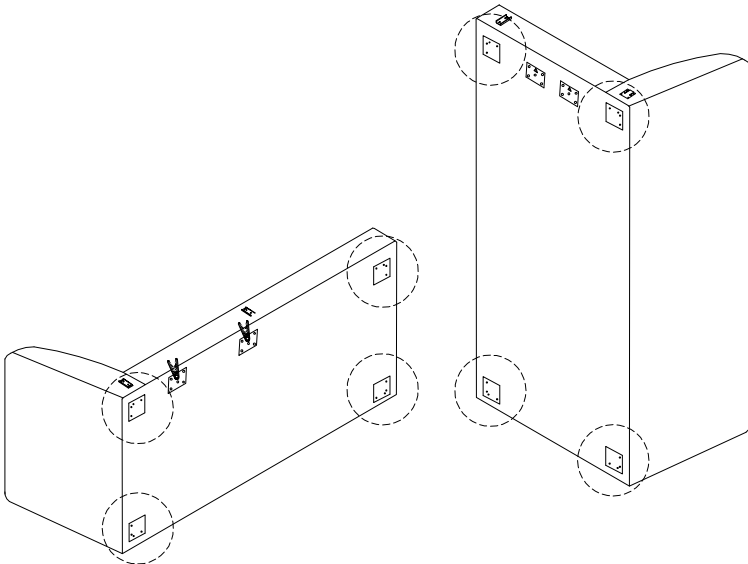
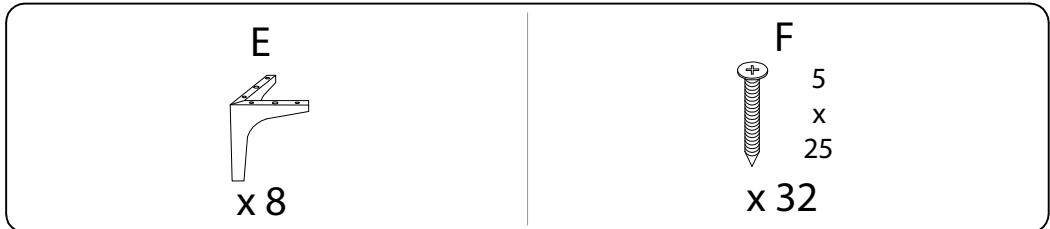
1




2





3

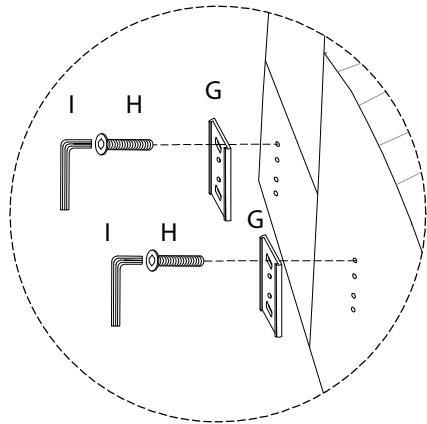
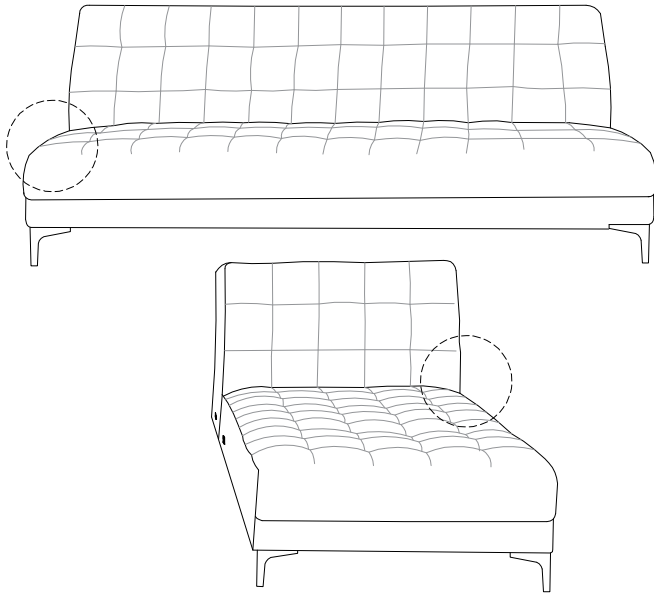


2

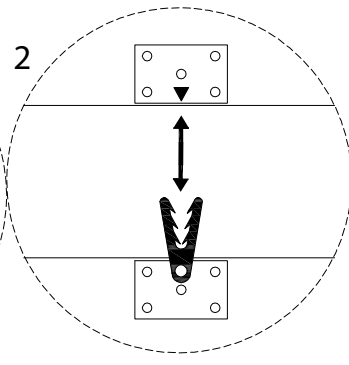
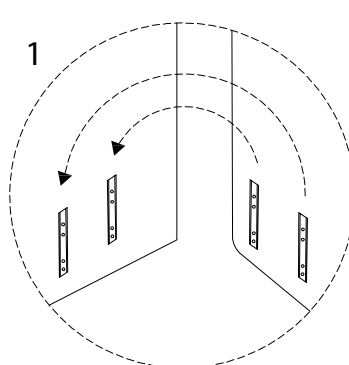
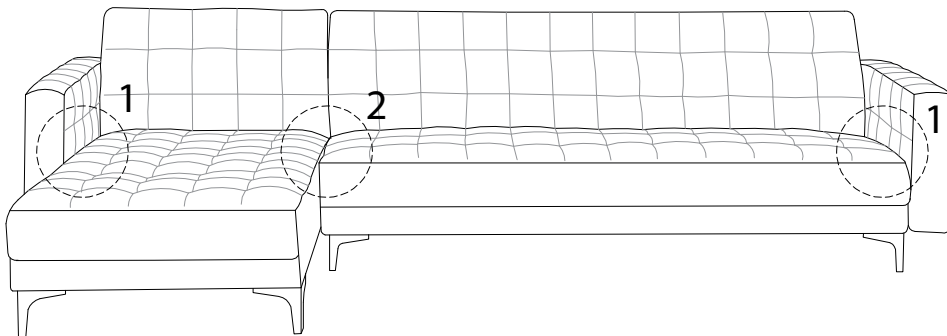
G  
  
x4

H  
  
M6  
x  
30  
x8

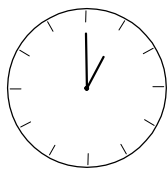
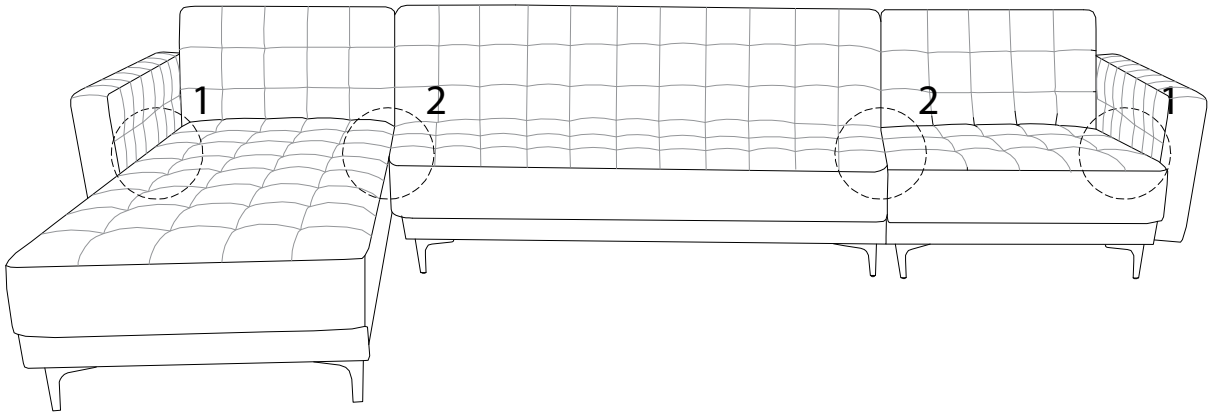
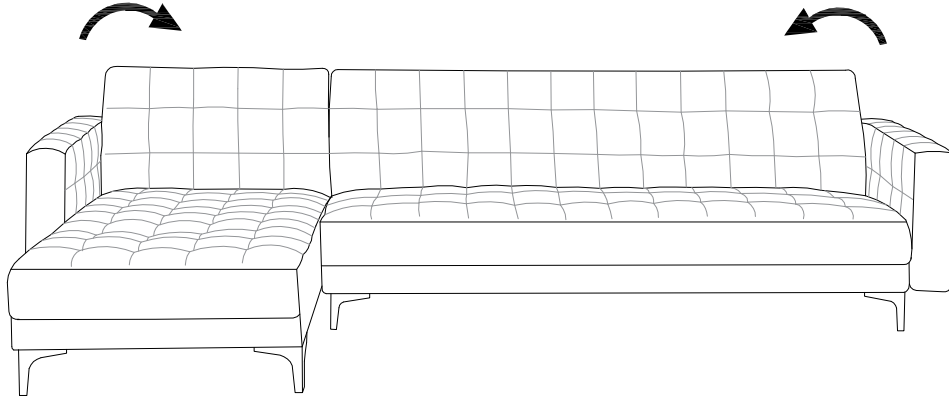
I  
  
x1



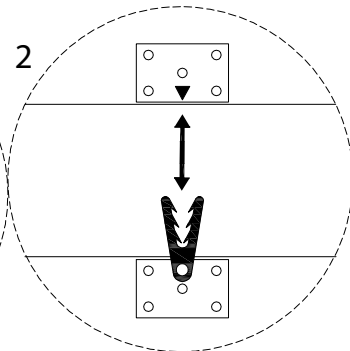
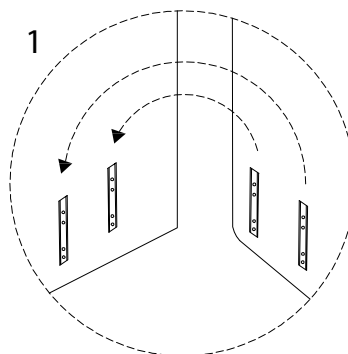
4

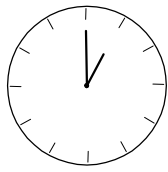
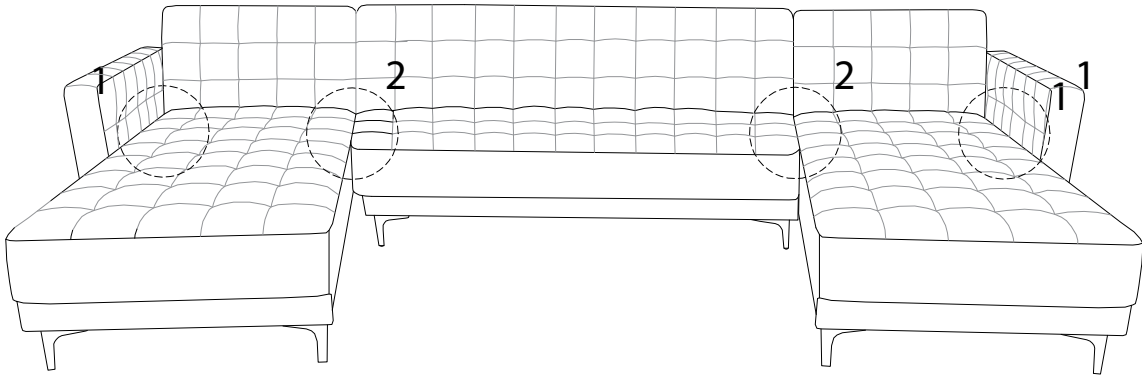


!

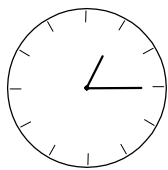
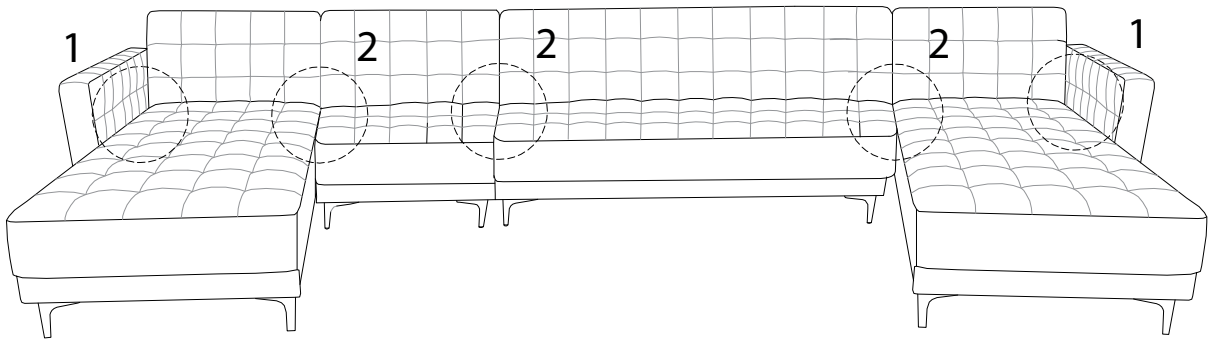
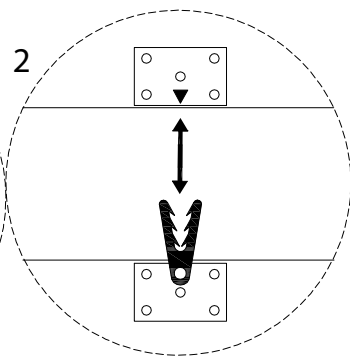
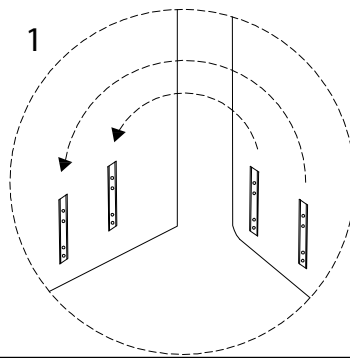


60'





60'



75'

