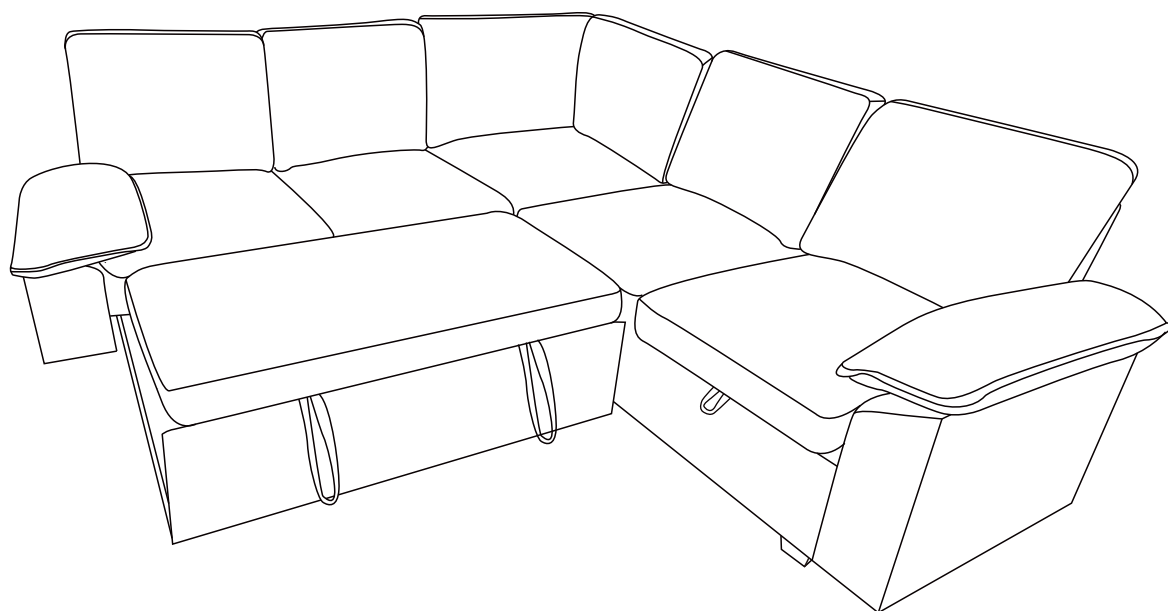


# 5-Seater Sofa Bed - Assembly Instructions




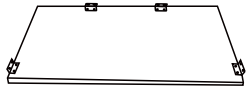



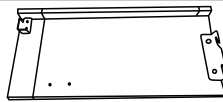
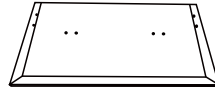

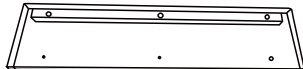
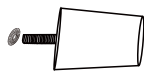
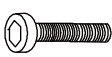




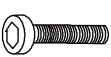
## **Important Notices**

Please read this manual carefully before assembly and keep it for future reference.

If you have any questions about this sofa, please contact us. Our professional team will respond within 24 hours.

# Pull-out Bed Instructions

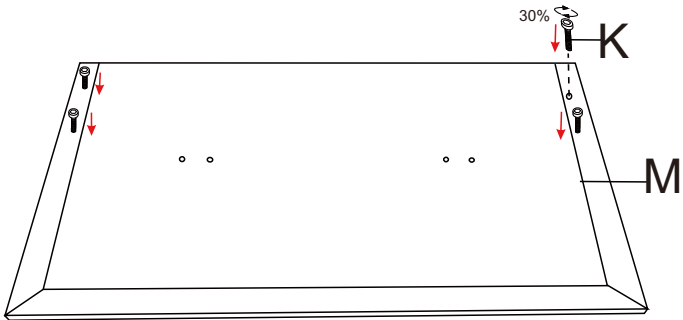
## Parts List

A	Yellow		Back cushion	2
B	Yellow		Cover plate	1
C	Yellow		Cushion	2
D	Yellow		Seat	1
E	Yellow		Left panel	1
F	Yellow		Right panel	1
M	Yellow		Back frame	1
H	Yellow		Sit on a soft bag	1
I	Yellow		Seat frame	1
J	Yellow		Foot	4
K	Yellow		Screw	12
L	Yellow		Wrench	1
O	White		Arm	1
P	Yellow		Screw	4
Q	White		Arm bag	1
R	Yellow		Screw	3

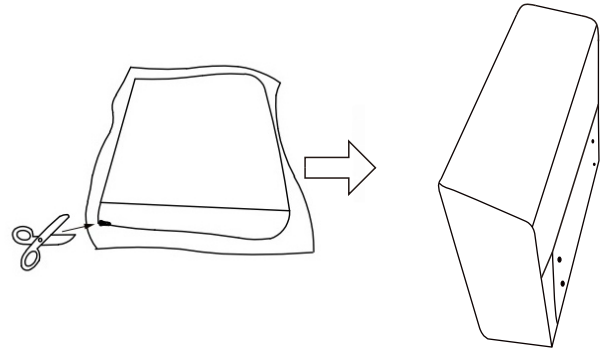
# Sofa Bed Instructions

1

Screw 30 percent

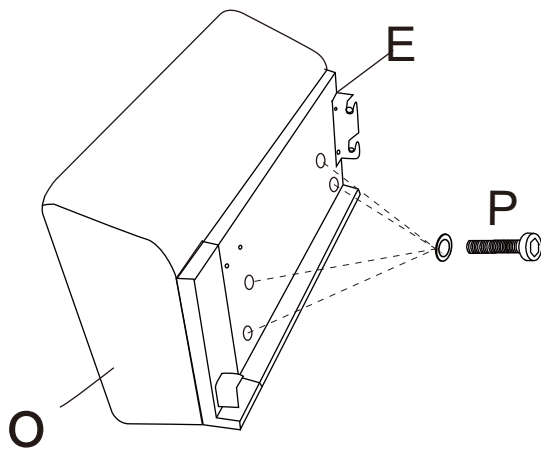


2

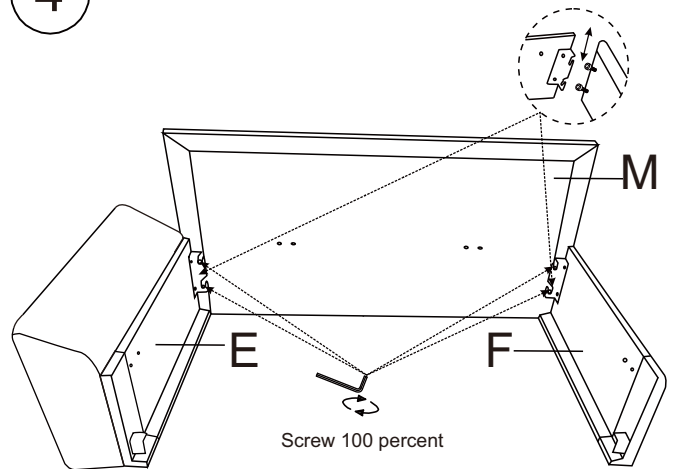


Cut open the bag, allow the armrest to retract naturally, and gently tap the sponge to facilitate its restoration.

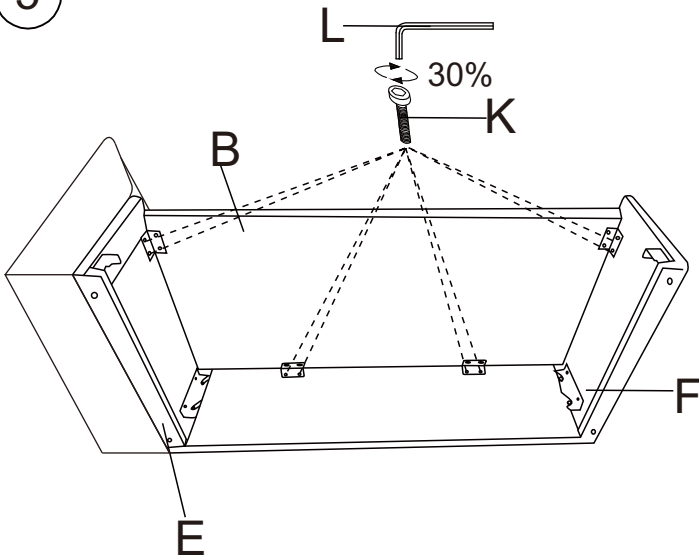
3



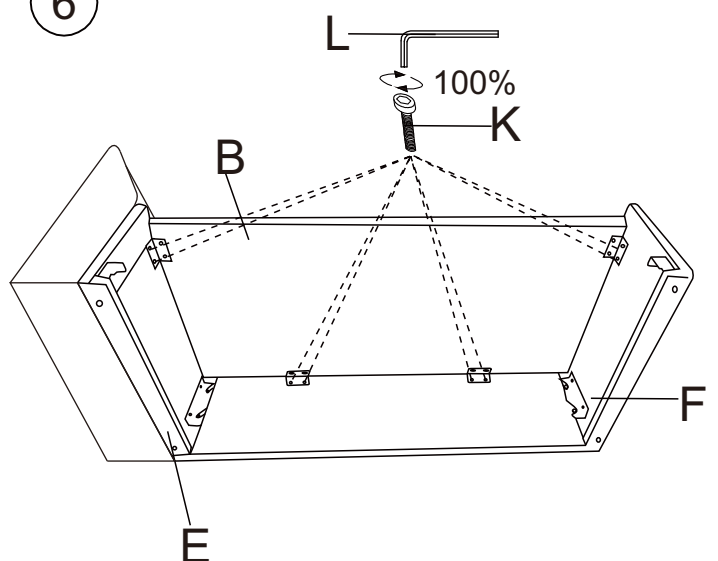
4



5

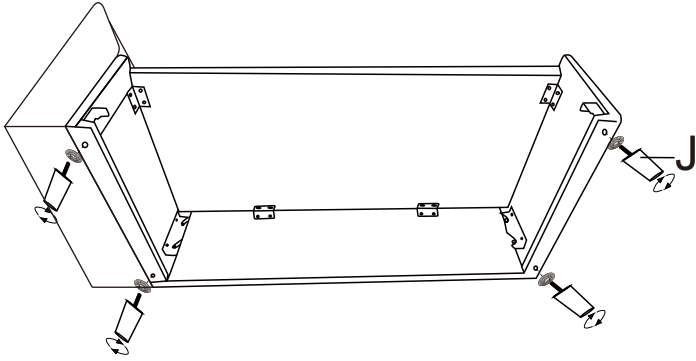


6

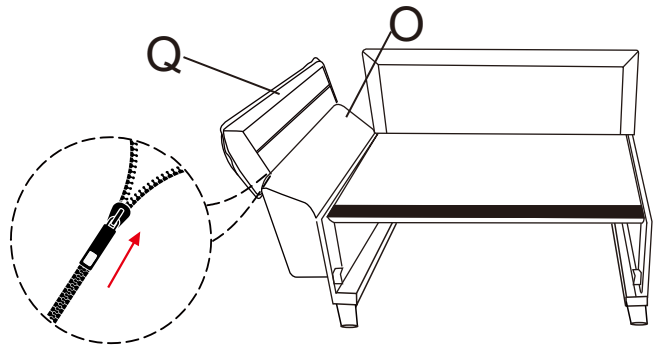


# Sofa Bed Instructions

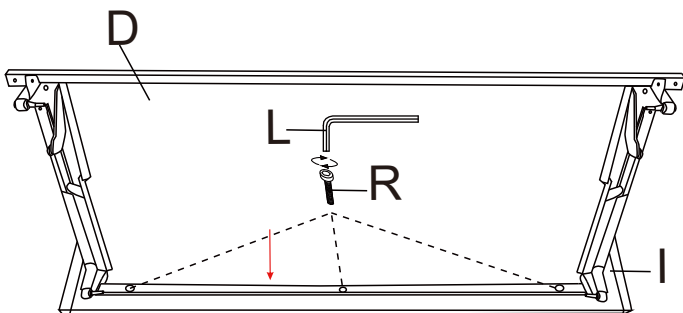
7



8

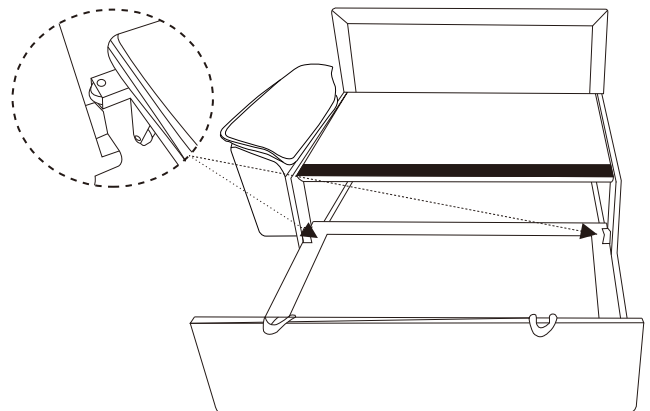


9



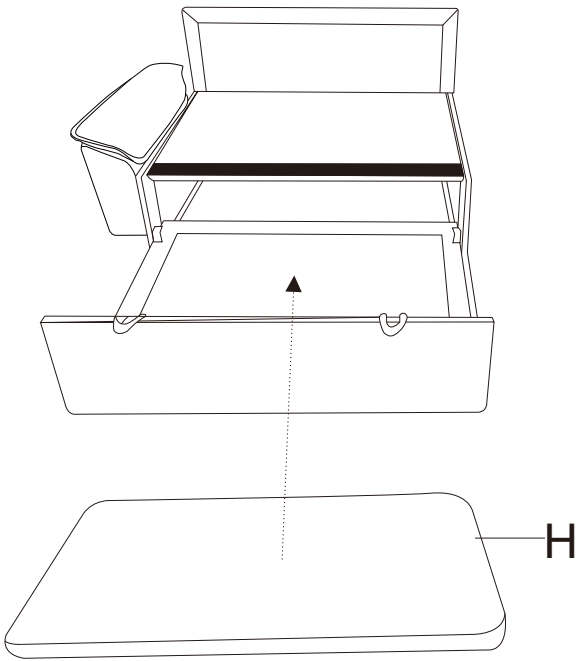
10

Lift the bed up a little and push it in.

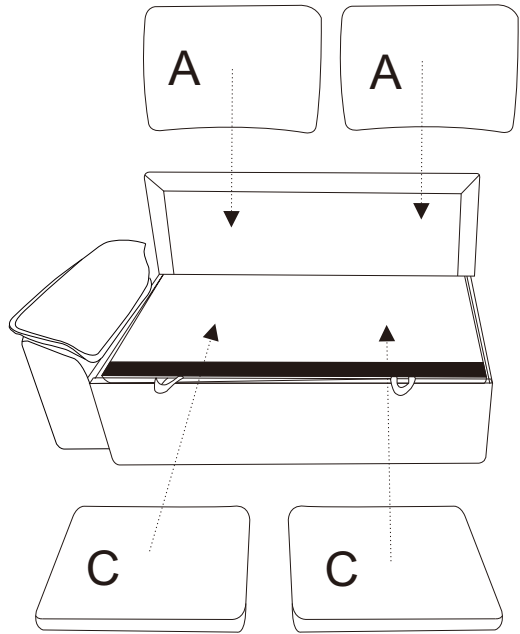


# Sofa Bed Instructions

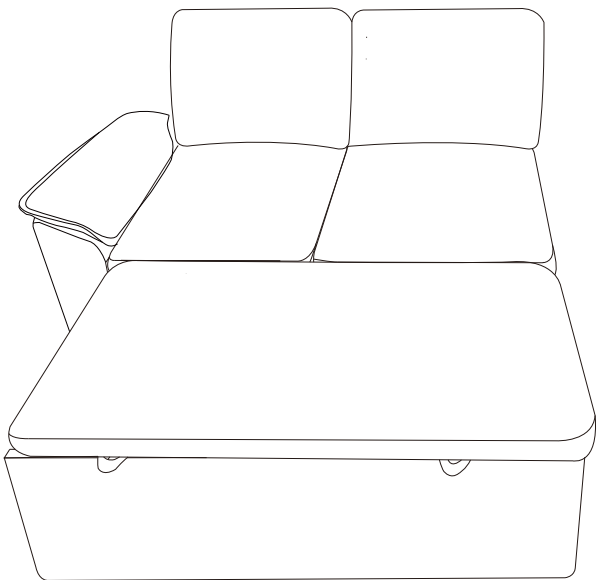
11



12

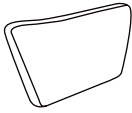
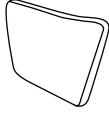

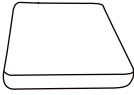
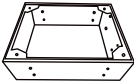
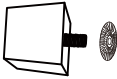


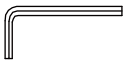
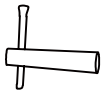


13



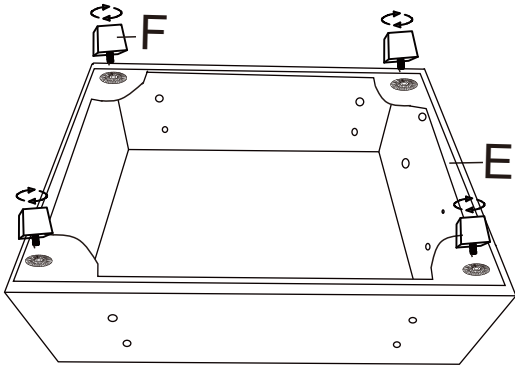
# Single Seat Assembly Notes

## Parts List

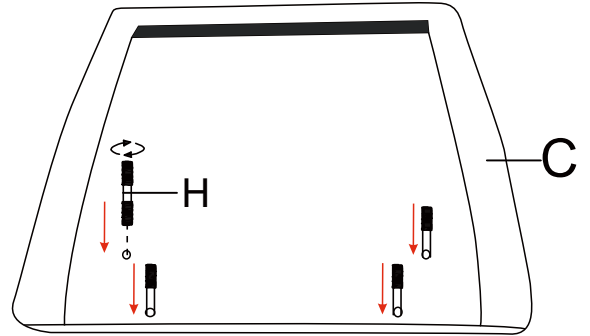
A	Blue		Satchel	1
B	Blue		Back cushion	1
C	Blue		Back armrest	2
D	Blue		Cushion	1
E	Blue		Seat	1
F	Blue		Foot	4
G	Blue		Screw	4
H	Blue		Screw	8
I	Blue		Wrench	1
J	Blue		Wrench	1

# Angle Mounting Instructions

1

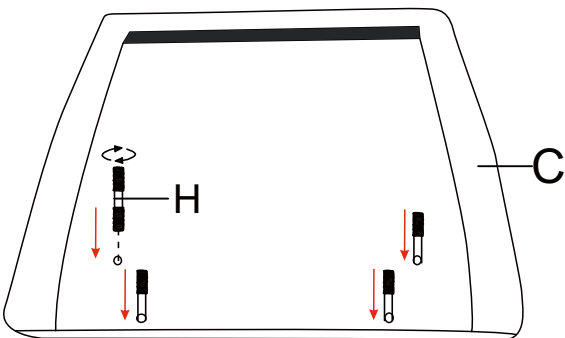


2



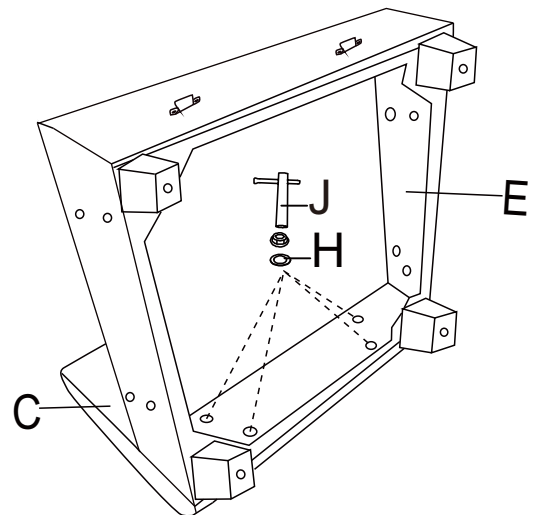
Twist until there are no threads (the first piece)

3



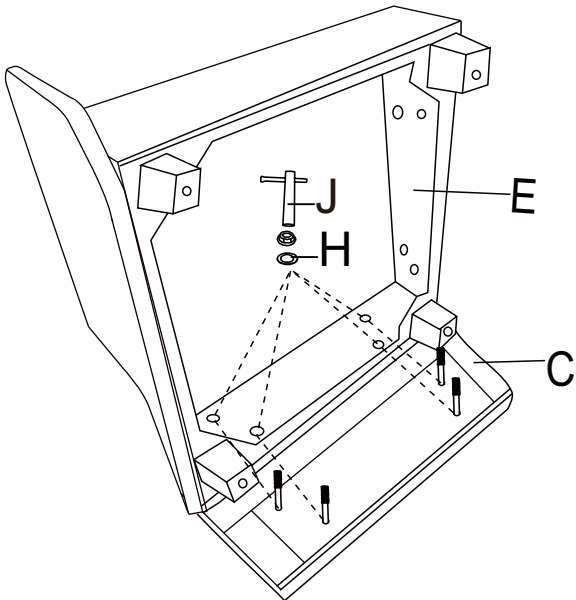
Twist until there are no threads (the second piece)

4

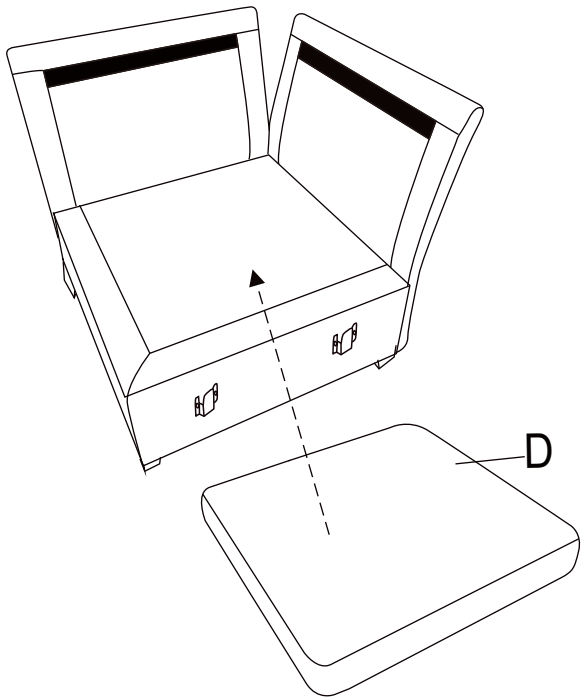


# Angle Mounting Instructions

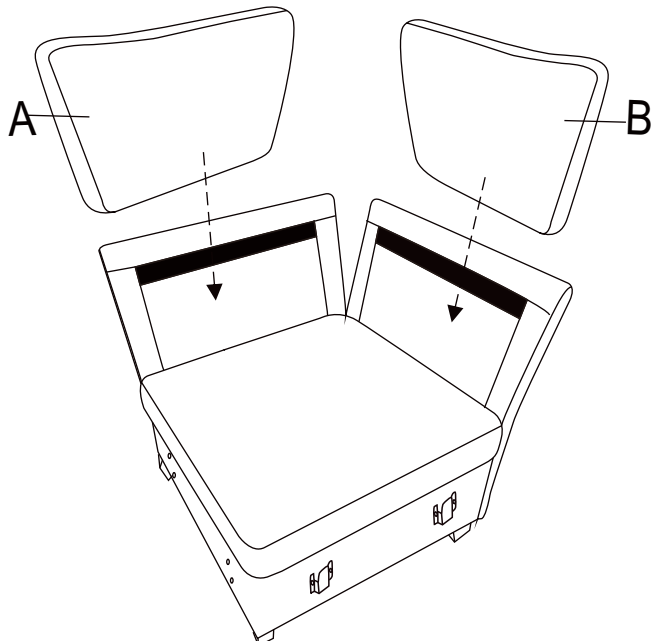
5



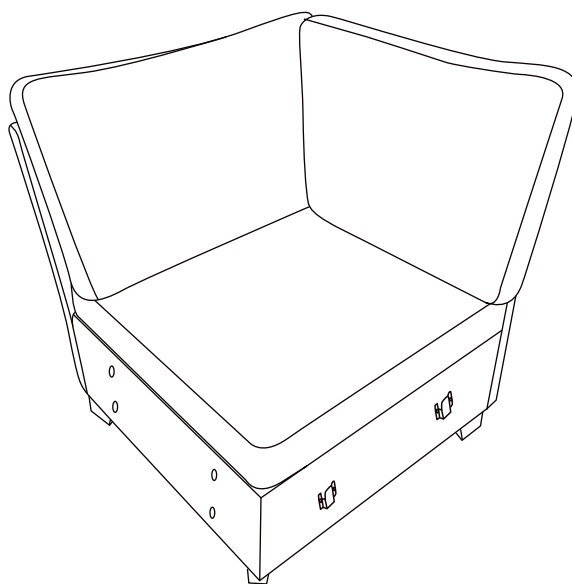
6



7

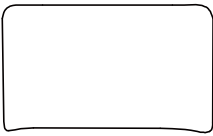
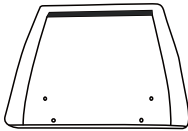
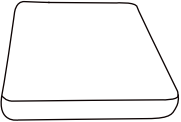
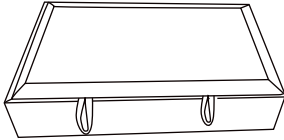

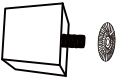

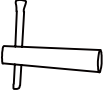




8



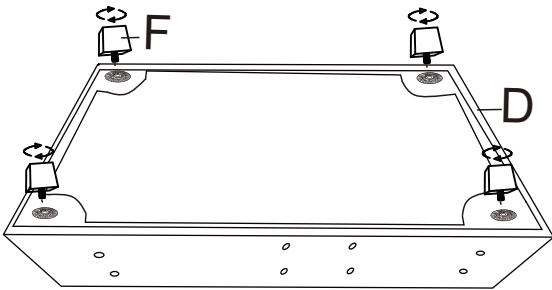
# Double Seater Instructions

## Parts List

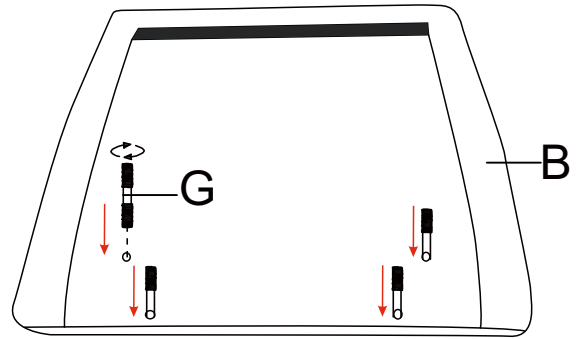
A	White		Back cushion	2
B	White		Back armrest	2
C	White		Cushion	2
D	White		Seat	1
O	White		Arm	1
F	White		Foot	4
G	White		Screw	12
H	White		Wrench	1
I	White		Screw cap	12
Q	White		Arm bag	1

# Two-Seat Mounting Steps

1

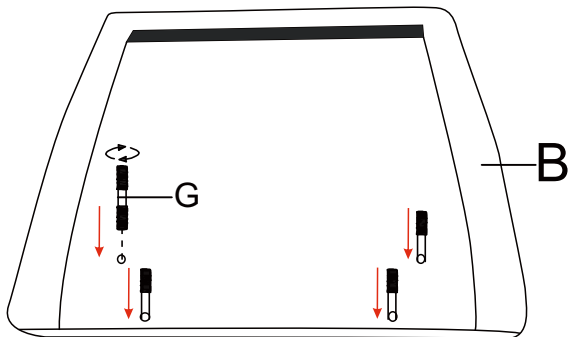


2



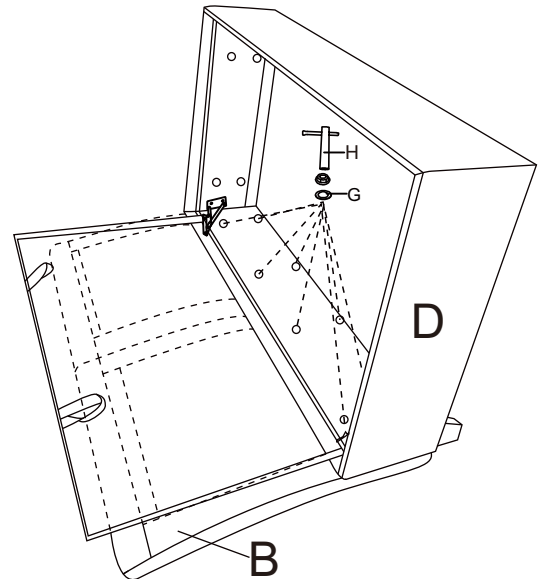
Twist until there are no threads (the first piece)

3

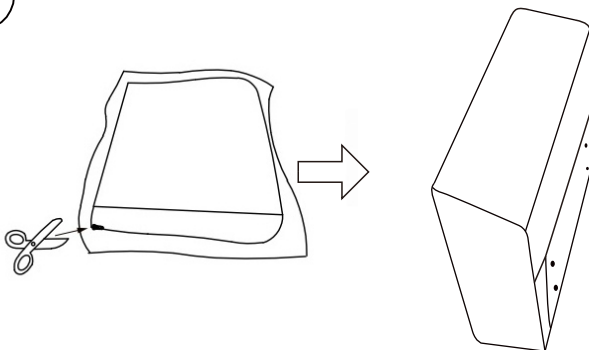


Twist until there are no threads (the second piece)

4

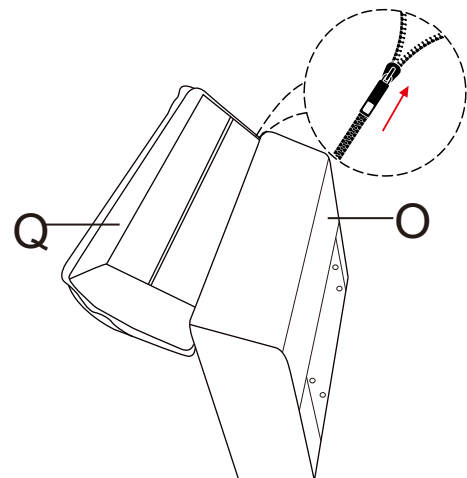


5



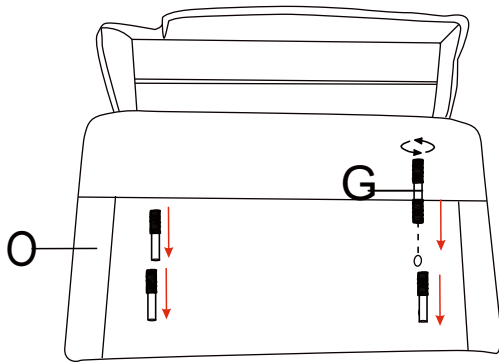
Cut open the bag, allow the armrest to retract naturally, and gently tap the sponge to facilitate its restoration.

6



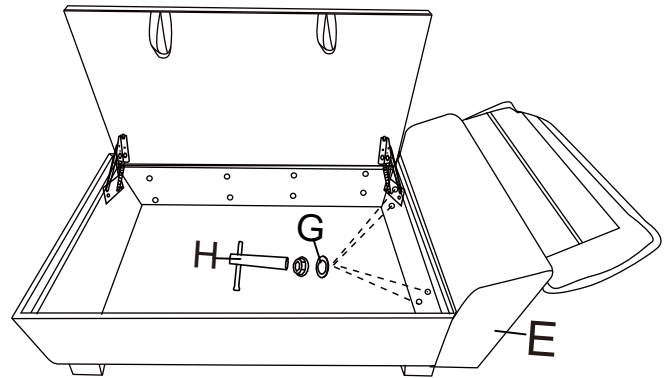
# Two-Seat Mounting Steps

7

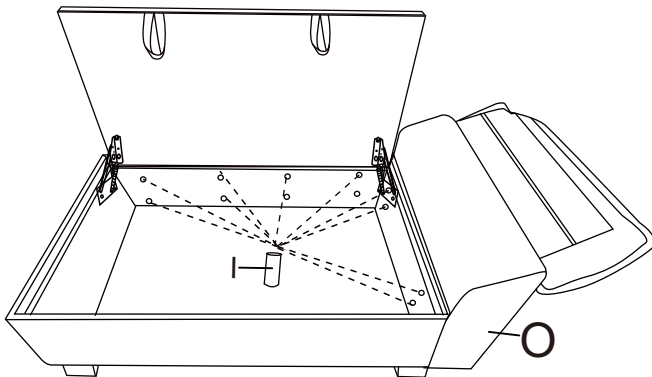


Twist until there are no threads

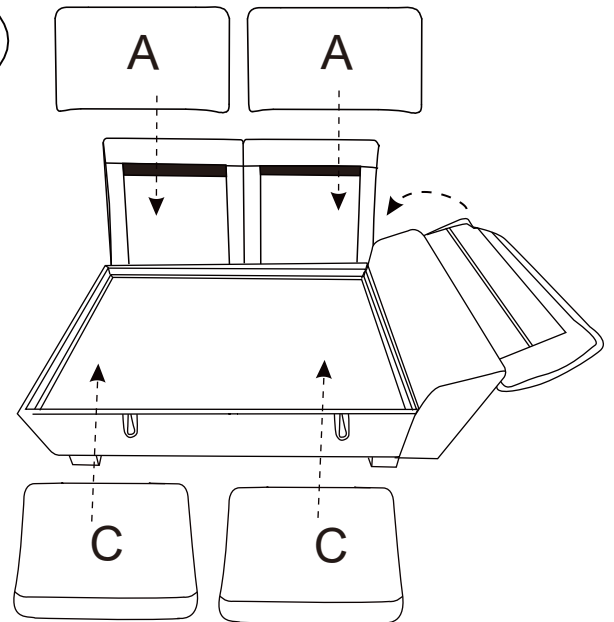
8



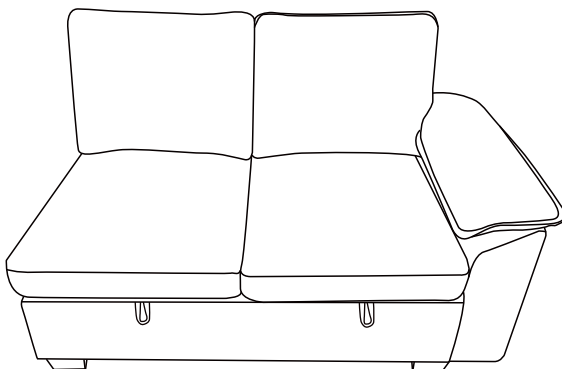
9



10

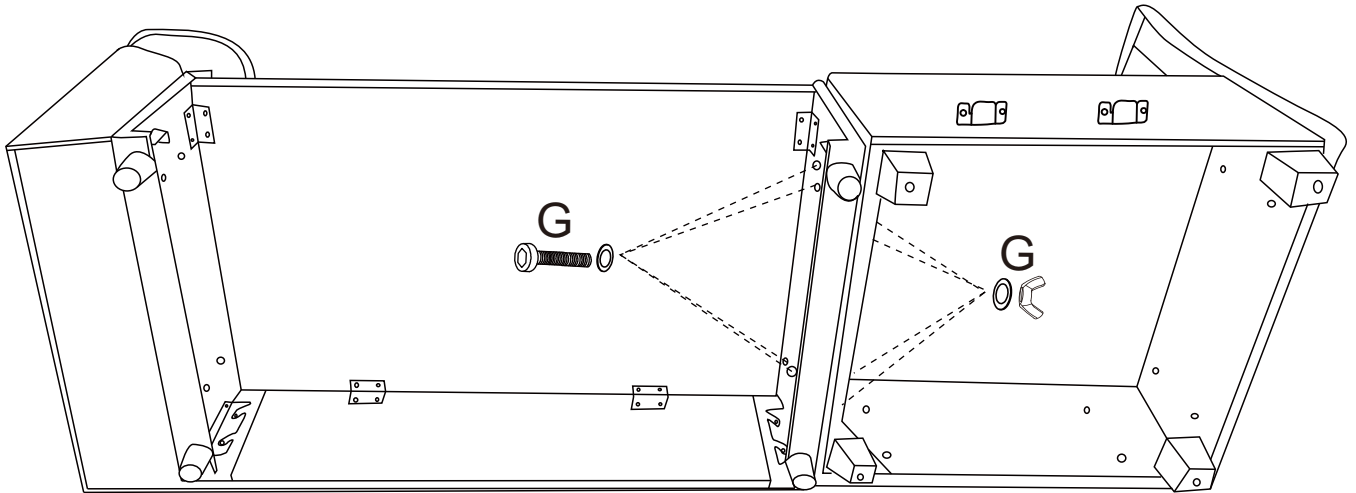


11

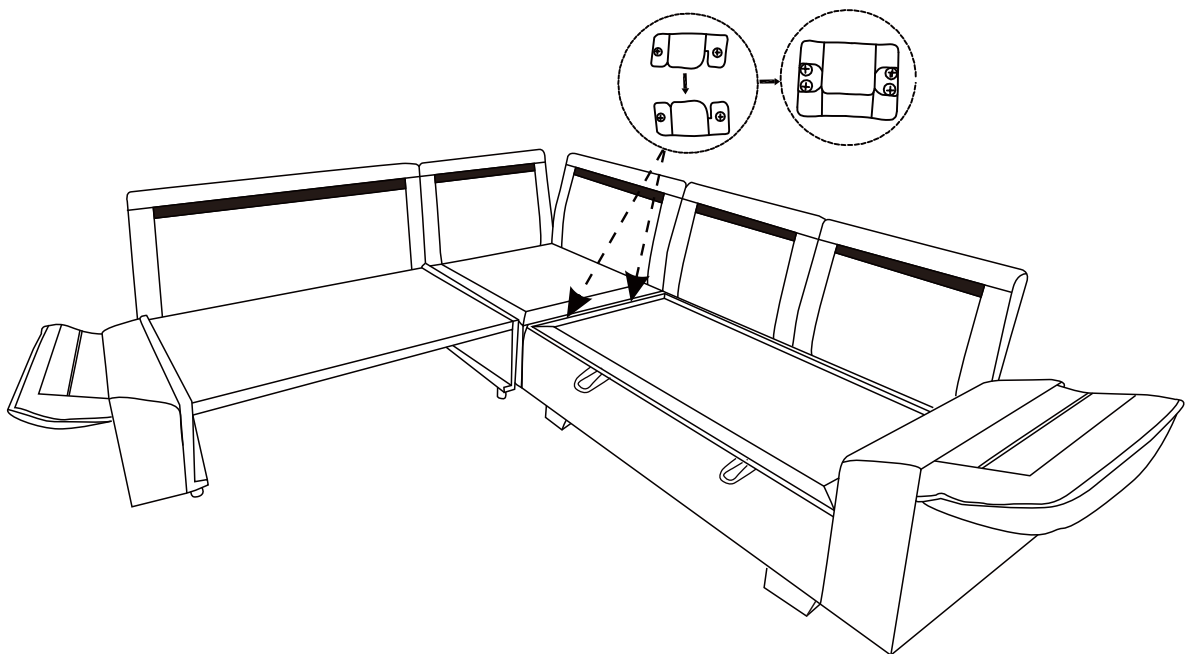


# Combination Instructions

## Fixed Seat Mode - Combination Method 1



The inside insert of the seat is connected to the main frame.



# Combination Mode Display

Diagrams showing various configuration options (Model 1, Model 2, etc.).

