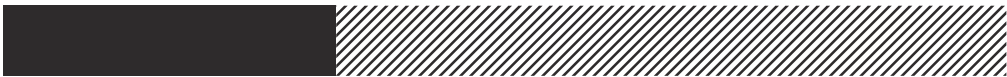


English / Español / Français



Safety Information

1. To reduce the risk of electric shock, the electricity has been turned off at the circuit breaker or fuse box before begin.
2. All wiring must be in accordance with the National Electrical Code NASI/NFPA70-1999 and local electrical codes. Electrical installation should be performed by a qualified licensed electrician.
3. The outlet box and support structure must be securely mounted and capable of reliably supporting 35lb.(15.9kg). Use only UL listed outlet boxes marked "Acceptable for Fan Support of 35lbs (15.9kg) or less."
4. The fan must be mounted with a minimum of 7 ft. (2.1m) clearance from the trailing edge of the blades to the floor.
5. Do not operate the reversing switch while the fan blades are in motion. You must turn the fan off and stop the blades before you reverse the blade direction.
6. Do not place objects in the path of the blades.
7. To avoid personal injury or damage to the fan and other items, please be careful when working around or cleaning the fan.
8. Electrical diagrams are for reference only. Light kits that are not packed with the fan must be UL-listed and marked suitable for use with the model fan you are installing. Switches must be UL General Use Switches. Refer to the instructions packaged with the light kits and switches for proper assembly.
9. After making electrical connections, spliced conductors should be turned upward and pushed carefully up into the outlet box. The wires should be spread apart with the grounded conductor and the equipment-grounding conductor on one side of the outlet box. and the ungrounded conductor on the other side of the outlet box.
10. All setscrews must be checked and retightened where necessary before installation.



WARNING: TO reduce the risk of personal injury, do not bend the blade brackets (also referred to as flanges) during assembly or after installation. Do not insert objects in the path of the blades.



WARNING: Remove the rubber motor stops on the bottom of the fan before installing the blades or testing the motor.



WARNING: To reduce the risk of fire or electric shock, do not use this fan with any solid-state speed control device.



WARNING: To avoid possible electric shock, turn the electricity off at the main fuse box before wiring. If you feel you do not have enough electrical wiring knowledge or experience, contact a licensed electrician.



WARNING: Electrical diagrams are for reference only. Optional use of any light kit shall be UL-listed and marked suitable for use with this fan.

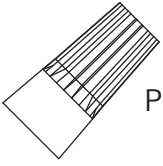


WARNING: To reduce the risk of fire, electric shock, or personal injury, mount to outlet box marked "Acceptable for fan support of 35lbs. (15.9 kg) or less "and use the screws provided with the outlet box.

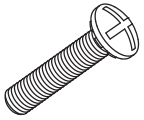
TECHNICAL INFORMATION

Nominal Voltage	Nominal output(motor)	light
120Vac	25W	18W

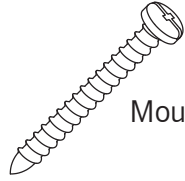
WARNING: SHUT POWER OFF AT FUSE OR CIRCUIT BREAKER



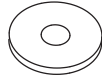
Plastic wire nut (4PCS)



Screws (2PCS)



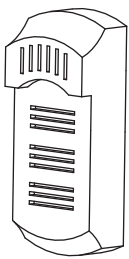
Mounting screws (2PCS)



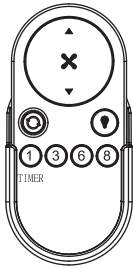
Washer (2PCS)



Blade screw (10PCS)

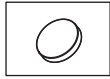


REMOTE CONTROL (1PC)



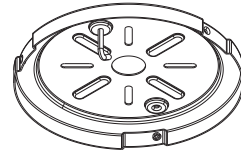
⬇ x 2

⬇ x 2

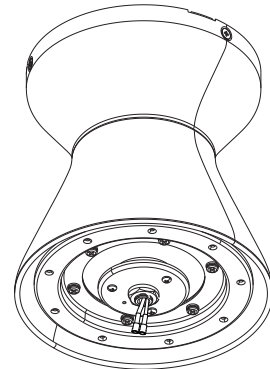


⬇ x 9

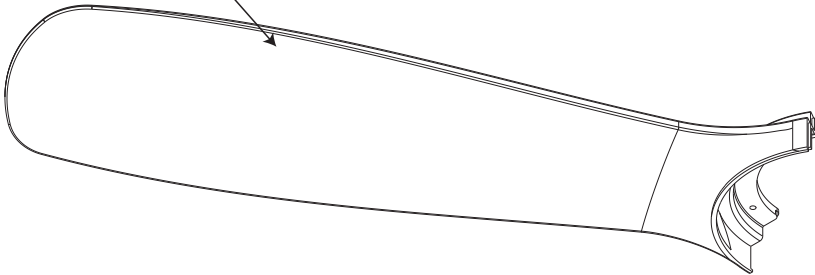
Ceiling Plate



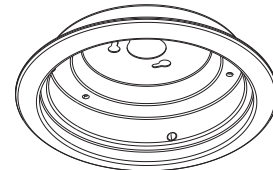
motor assembly



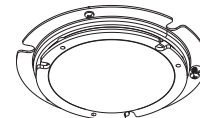
Blade (3PCS)



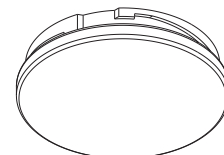
Switch Housing



Light kit



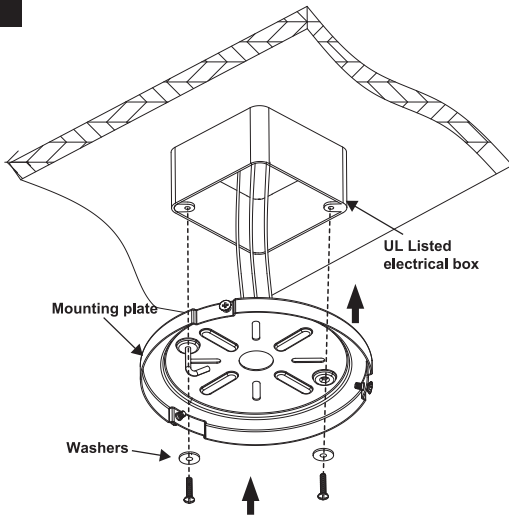
Shade



Pls check whether above accessories are completed or not?Yes,and install.

WARNING: SHUT POWER OFF AT FUSE OR CIRCUIT BREAKER

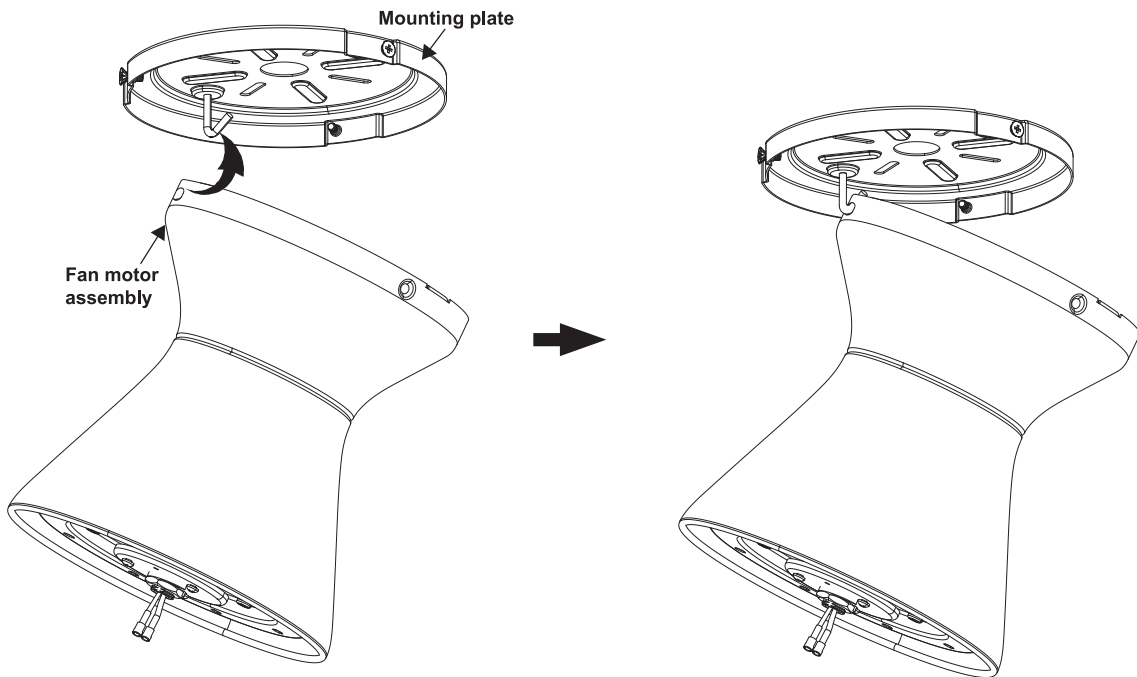
1



Check existing outlet box (not included) to ensure it is securely fastened to at least two points in a structural ceiling member and can support the full weight of the fan. Once verified, install ceiling plate to the outlet box using the screws and washers provided.

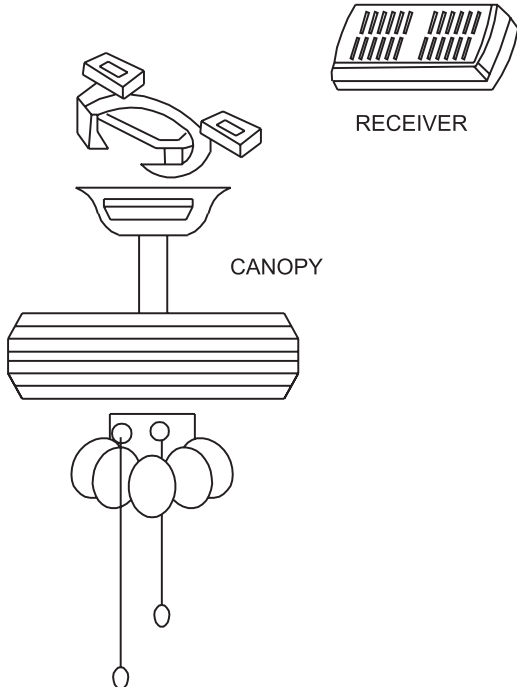
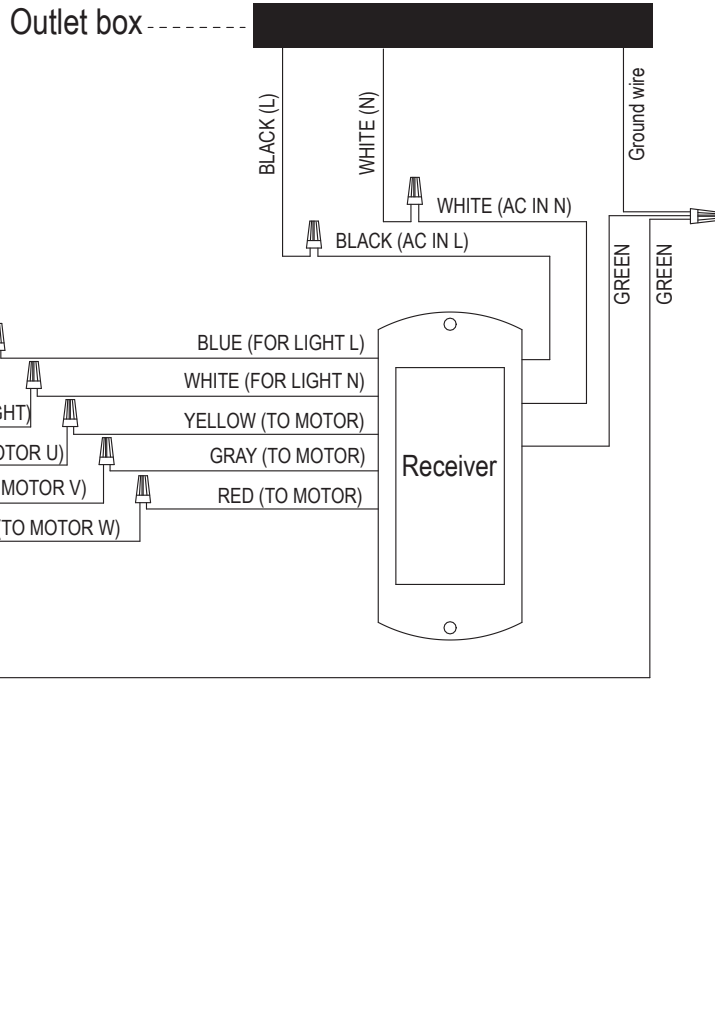
DANGER: A loose outlet box can cause the fan to wobble and increase the fan's potential to fall, which could result in serious injury or death.

2

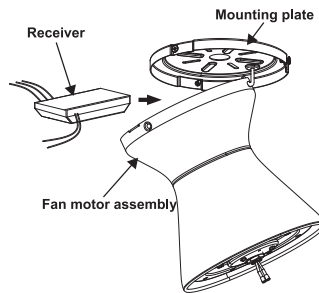


Hang the motor assembly from the ceiling bracket assembly using the hook on the ceiling bracket assembly and the cable loop from the motor assembly as shown.

WARNING: SHUT POWER OFF AT FUSE OR CIRCUIT BREAKER



Install remote control



After connections have been made, put the white and green leads to one side and the black leads towards the other side, the connection should be turned upward and carefully push leads into the outlet box. The wires should be spread apart with the grounded conductor and the equipment-grounding conductor on one side of the outlet box and the ungrounded conductor on the other side.

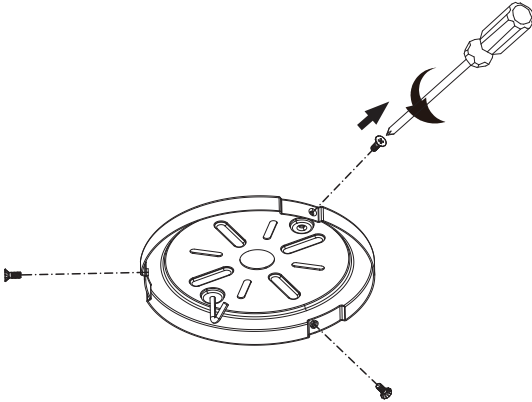
LIGHT MUST BE KEPT AT THE ON POSITION

FAN MUST BE KEPT AT THE HIGH SPEED

WARNING: SHUT POWER OFF AT FUSE OR CIRCUIT BREAKER

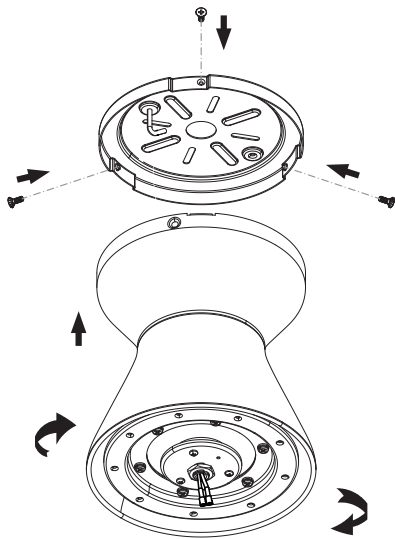
3

Remove the three screws from the ceiling plate assembly and retain for later.



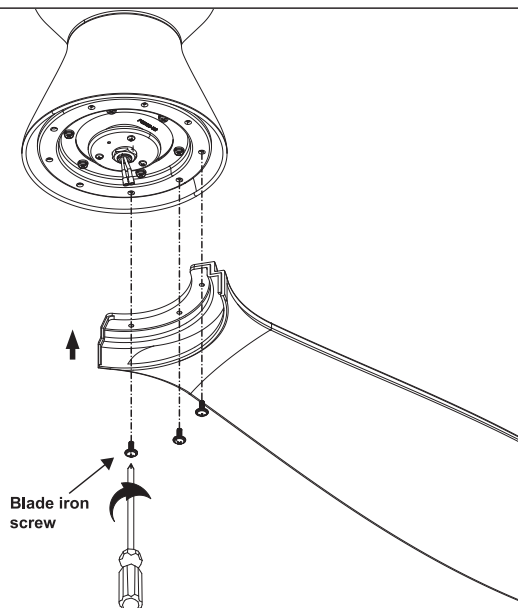
4

Align the wide tab of motor assembly to the wide notch of ceiling bracket. Carefully secure the motor housing onto the mounting slots on ceiling bracket by twisting in a clockwise direction. Be sure the receiver and all wiring are tucked into the motor housing and is not pinched. Once the motor assembly is flush with your ceiling, replace the previously removed screws and securely tighten all three screws.



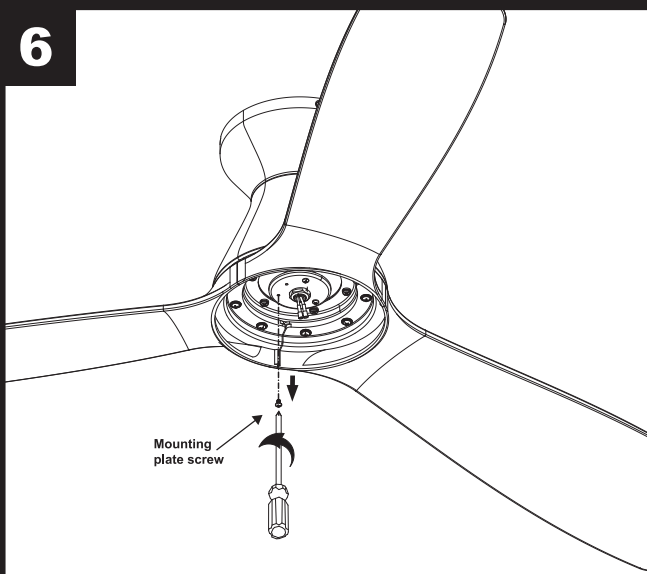
5

Secure the three blades using the blade screws through the holes located on the bottom of the motor assembly.



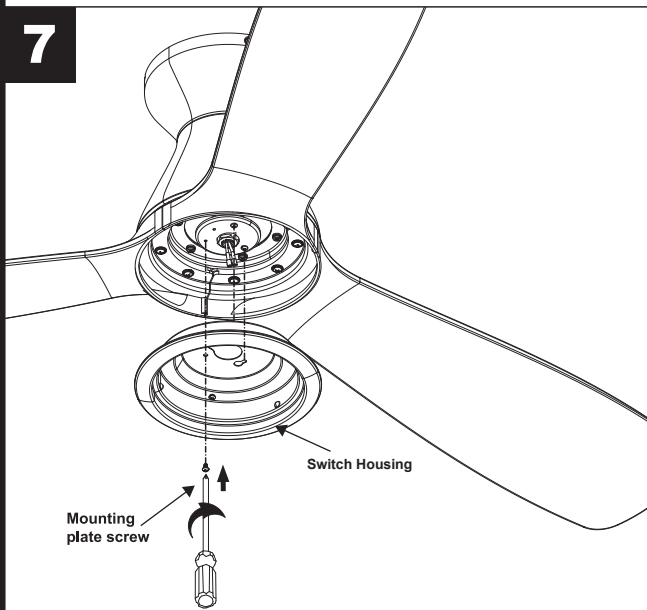
WARNING: SHUT POWER OFF AT FUSE OR CIRCUIT BREAKER

6



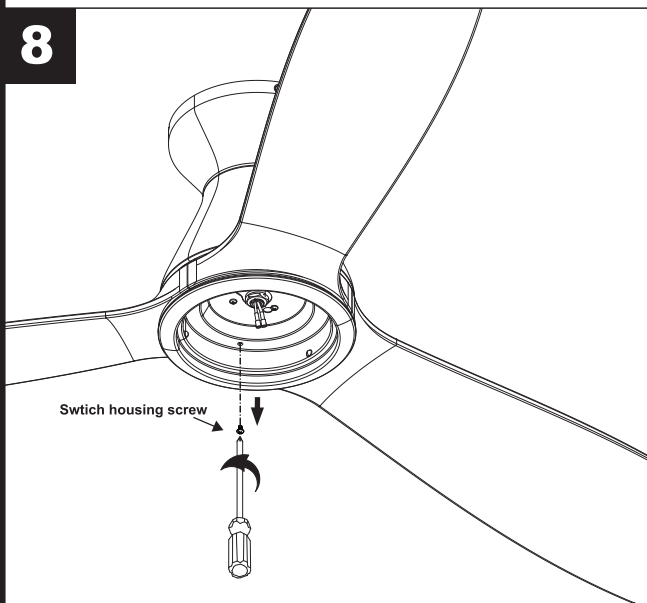
Remove one of the three screws in the support bracket at the bottom of the motor assembly. Retain the screw for later and slightly loosen the remaining two screws.

7



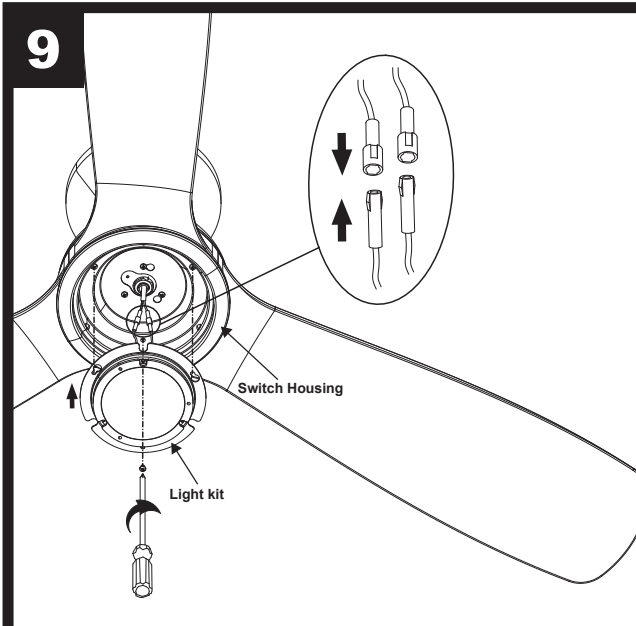
Assemble the switch housing assembly to the support bracket using the two key slots in the switch housing assembly. Replace the previously removed screw and securely tighten all three screws.

8

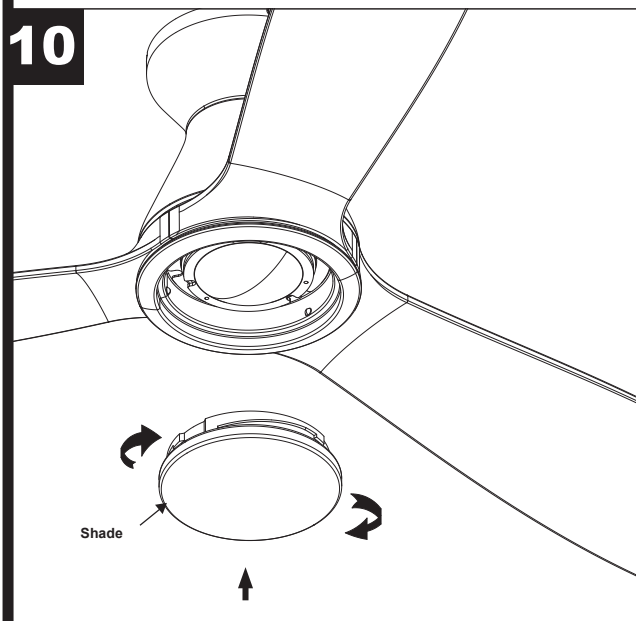


Remove one of the three screws in the switch housing assembly. Retain the screw for later and slightly loosen the remaining two screws.

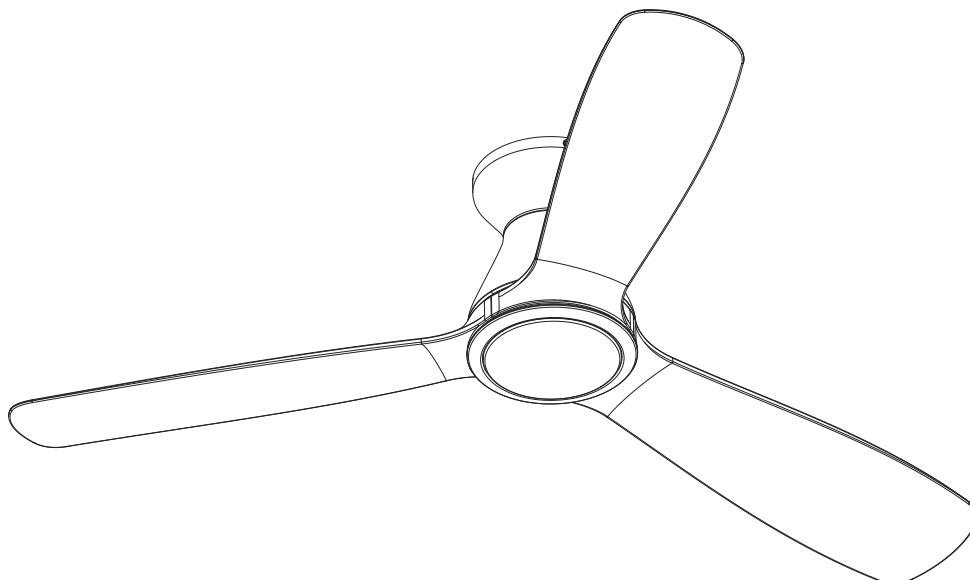
WARNING: SHUT POWER OFF AT FUSE OR CIRCUIT BREAKER



Connect the 2 single pin connectors from the light kit to the 2 single pin connectors from motor assembly. Assemble the light kit to the switch housing assembly using the two key slots. Replace the removed screw and secure all three screws.

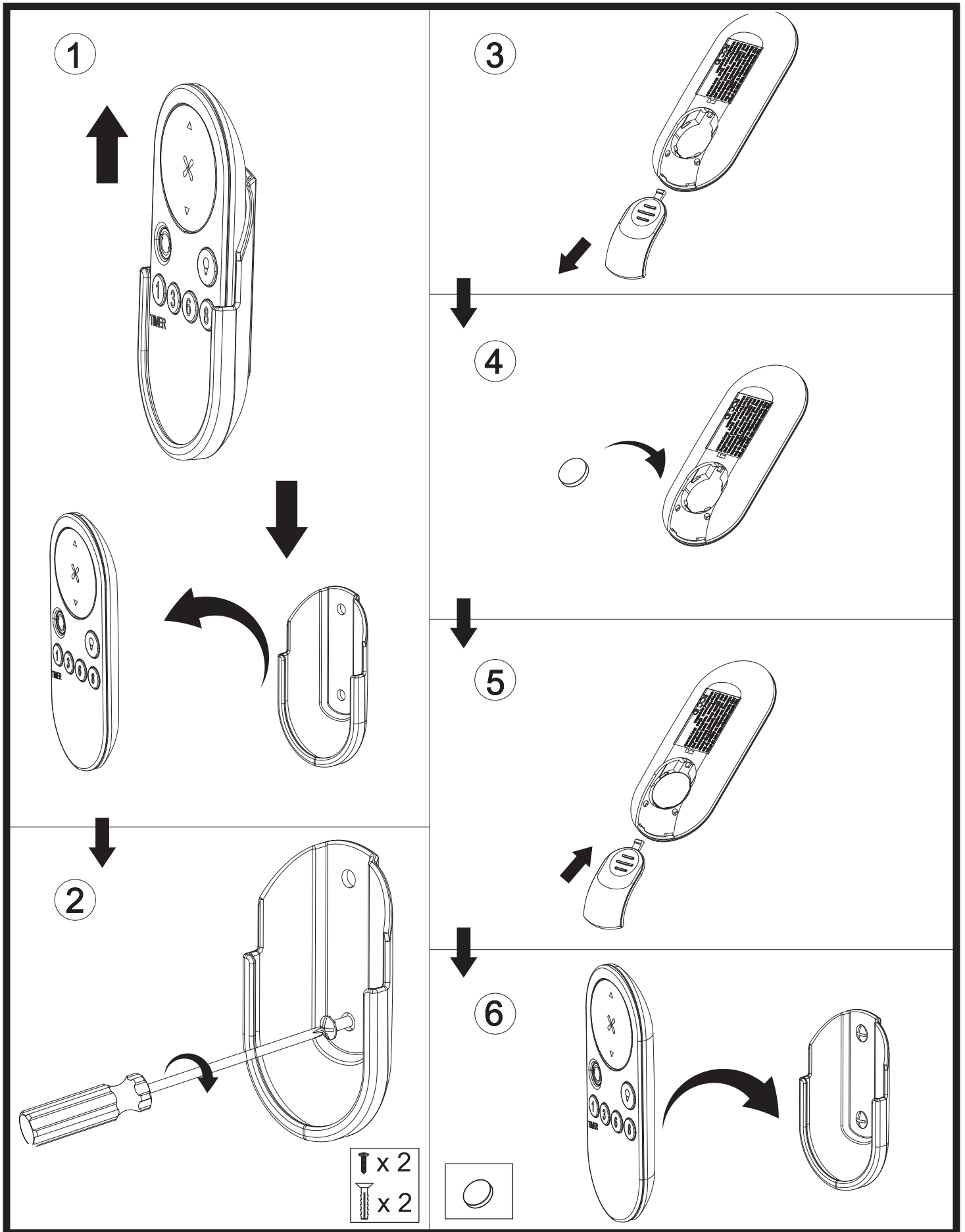


Secure the shade to the switch housing assembly by twisting in a clockwise direction. Twist the shade gradually until it snaps onto the switch housing assembly. Do not over-tighten.



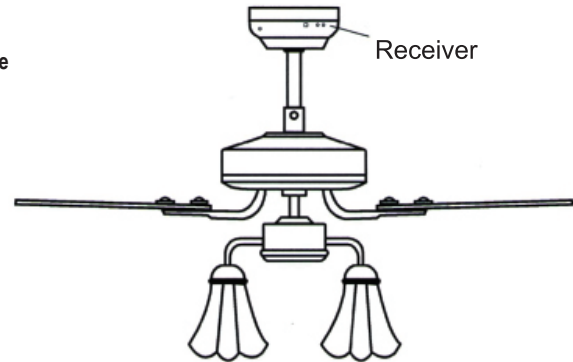
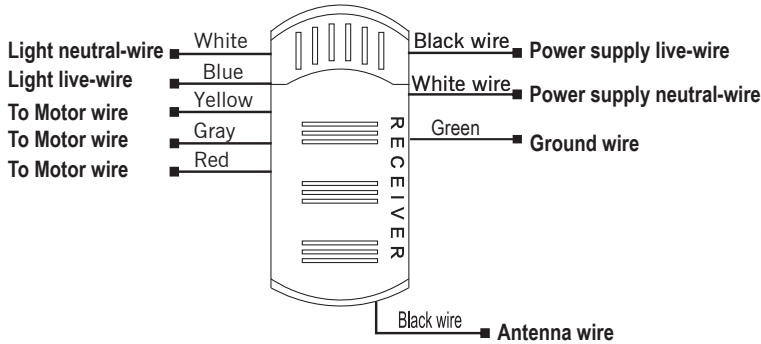
Whole structure

WARNING: SHUT POWER OFF AT FUSE OR CIRCUIT BREAKER



WARNING: SHUT POWER OFF AT FUSE OR CIRCUIT BREAKER

WIRING SCHEMATIC DIAGRAM FOR RECEIVER

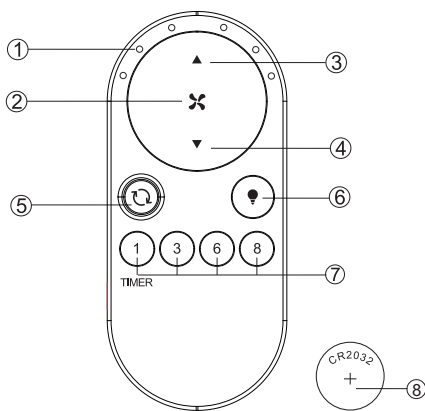


POWER PARAMETER LIST

Voltage	Fan (max.)	Lamp (max.)
120 V	25W	18W

Adopt RF wireless digit emission technique, biunique controlled, coincident code rate is less than one millionth. (Emitter and receiver must be sent back to factory for maintenance if damaged.) Receiver can be controlled by any angles of the emitter in prescriptive space, unrestricted by direction. With the memory function, the controller can save the status(light and direction) while the supply power OFF and resume to the original after reload the power supply.

FUNCTION INSTRUCTION OF EMITTER



- ① LED indicated light
- ② ON/OFF the fan
- ③ Turn up the speed of the fan
- ④ Turn down the speed of the fan
- ⑤ Direction of the fan (reverse switch)
- ⑥ Short press: ON/OFF the light
Long press: Adjust the brightness of the light
- ⑦ Timing control of the fan
- ⑧ 3V CR2032 battery x 1pcs

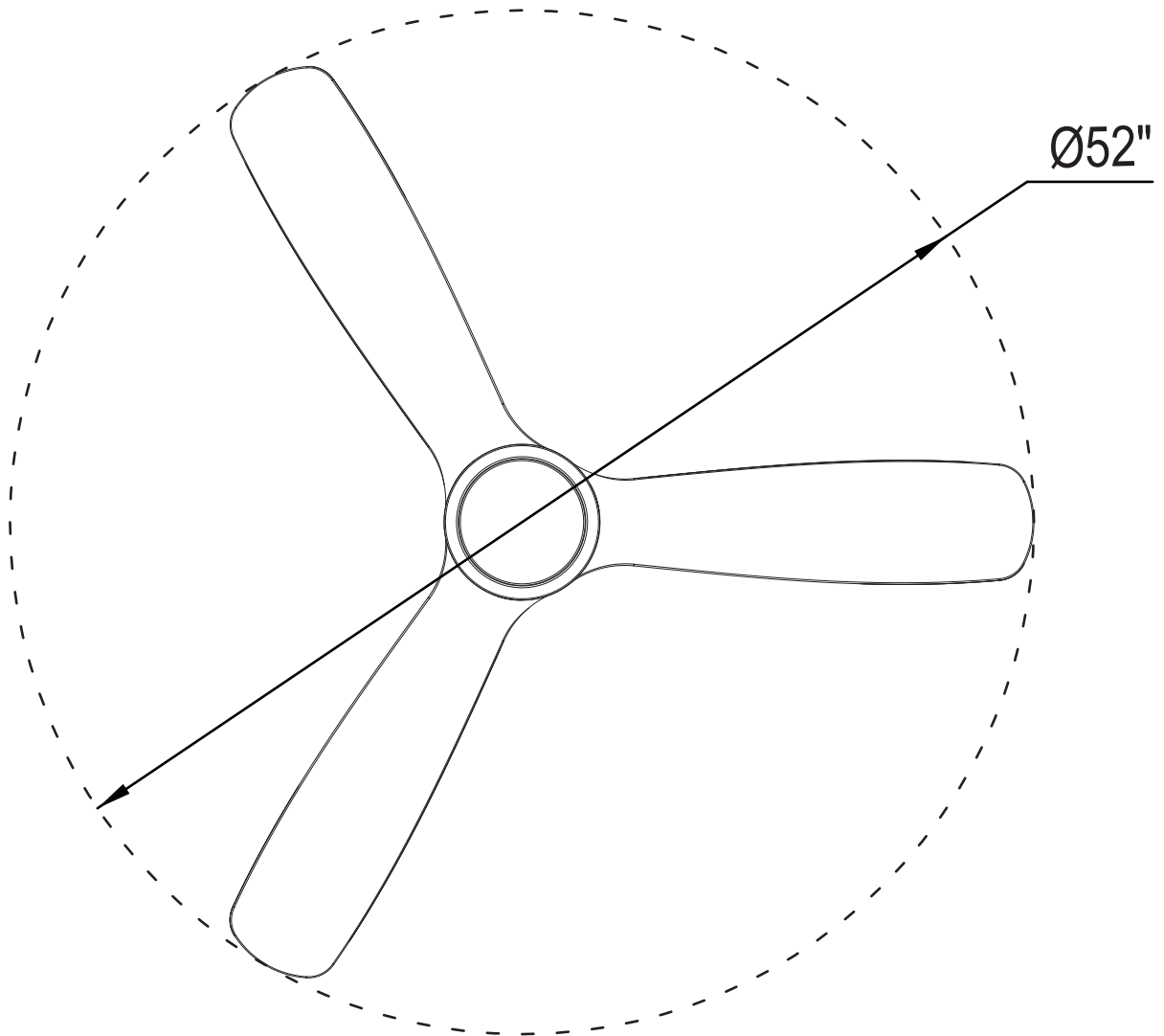
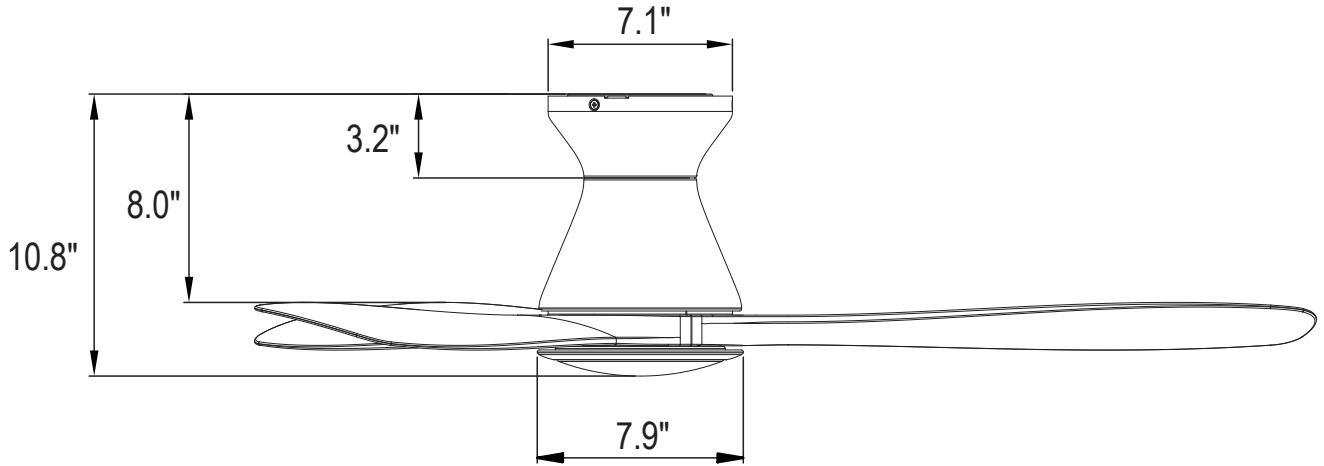
- a. ⚠ WARNING: Chemical Burn Hazard. Keep batteries away from children.
- b) This product contains a lithium button/coin cell battery. If a new or used lithium button/coin cell battery is swallowed or enters the body, it can cause severe internal burns and can lead to death in as little as 2 hours. Always completely secure the battery compartment. If the battery compartment does not close securely, stop using the product, remove the batteries, and keep it away from children. If you think batteries might have been swallowed or placed inside any part of the body, seek immediate medical attention.
- c) The cells shall be disposed of properly, including keeping them away from children; and
- d) Even used cells may cause injury

KINDLY REMINDERS:

1. If the emitter can not control the fan, learning code matching mode is used between emitter and receiver. Turn "ON" the supply power within 30 seconds and press the emitter's "X" button for 5 seconds, it can load normally after hearing a long sound "bee", which means learning successfully and it can works normally.
(PS: Learning mode is not accepted after turn "ON" the supply power for 30 seconds)
2. When the emitter cannot control the receiver, please check the battery switch touching normally or not, correction of the positive and negative, full or empty of the power.
3. When the emitter cannot control the receiver, please check is there any existence of similar remote controlled products nearby, then check whether they works, because remote controlled product with the same frequency will disturb each other.
4. Low voltage of battery will affect the sensitivity of the emitter and the signal reception accordingly(the indicated light will flash out its warning when the battery get low voltage), must replace if the battery is getting low voltage.
5. Please take out the battery from the emitter when leaving unused for long time.
6. The maximum load of lighting see the above"POWER PARAMETER LIST"
PS: please connect the ground wire correctly, otherwise it may cause the light micro-light or flash
7. When installing the fan, the fan ceiling cover don't press the antenna (or other wire), it is easy to breakdown the wire and short-circuited.

WARNING: SHUT POWER OFF AT FUSE OR CIRCUIT BREAKER

SIZE OF PRODUCT



TROUBLESHOOTING GUIDE

1. FAN / REMOTE IS NOT WORKING

Ensure the remote is within the 20 foot range of the receiver
To reset the remote control: 1) Turn off power to fan using the wall switch or circuit breaker. 2) Remove batteries from remote. 3) Wait 10 seconds. 4) Replace batteries and turn power on
Check batteries to insure they are good and oriented correctly
Check to make sure the frequency switches (DIP Switches) from the remote to the receiver are set to the same frequency
Check the main and branch circuit fuses or breakers
If using a Variable Speed Wall Switch, ensure it is specifically designed for use with a ceiling fan.
Check the line wire connections to the fan and the switch wire connections in the switch housing per the instructions
If fan still does not work, please contact us

2. THE FAN IS NOISY

Make sure all motor housing screws are tight
Make sure the screws that attach fan blade to motor are tight
Make sure the wire nut connectors are not rattling against each other or the interior wall of the switch housing
Allow 24-hour break in period. Most noises associated with the new fan may disappear during this time
if using a ceiling light kit, make sure the glassware is secured tightly
Make sure there is a short distance/gap from the ceiling to the top of the canopy. The canopy should not touch the ceiling!
Make sure your ceiling box is secure and that the rubber insulating pads are used between the mounting bracket and outlet box

3. THE FAN WOBBLES

Verify all blades and blade bracket screws are secure (most fan wobble problems are caused by loose parts). Once fan is properly installed, run the ceiling fan for 10 minutes to let the fan self-adjust.
If wobble occurs after running the fan for 10 minutes, verify blade level using the following process: a) select a point on the ceiling above the tip of one of the blades. Then select the fan blade and measure from the center of the selected blade to point on the ceiling. Rotate the fan until the next blade is positioned and repeat the measurement using the same point from the ceiling for every blade. Measurements should be within 1/8 inch. b) If all deviation are less than 1/8 inch and the fan continues to wobble, please contact us to order a complimentary Blade Balancing Kit
-If all deviation are less than 1/8 inch and the fan continues to wobble, please contact us. com to order a complimentary Blade Balancing Kit.

4. LIGHT IS NOT WORKING

Loose electrical connections.
Shut off the branch circuit electricity at the fuse box or breaker panel and check the LED light fixture assembly electrical connectors for proper installation.
To reset the remote control: 1) Turn off power to fan using the wall switch or circuit breaker. 2) Remove batteries from remote. 3) wait 10 seconds. 4) Replace batteries and turn power on

AFTER INSTALLATION

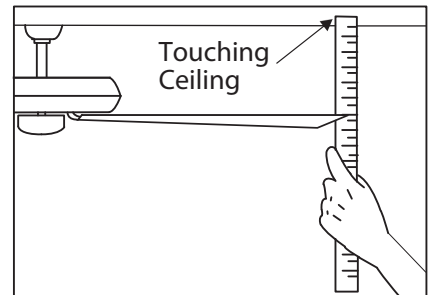
Wobble

The fan blades have been adjusted in the factory to minimize any wobble

Note: ceiling fans tend to move during operation due to the fact that they are mounted on a rubber grommet. If the fan was mounted rigidly to the ceiling, it would cause excess vibration. Movement of a few centimeters is quite acceptable and does not suggest any problem to reduce the fan Wobble: Please check that all screws which secured the mounting bracket and downrod are secure.

Balancing a wobbling ceiling fan:

1. Check that all blade and blade arm screws are secure.
2. Most fan wobbling problems are caused when blade levels are unequal. Check this level by electing a point on the ceiling above the tip of one of the blades. Measure this distance. Rotate the fan until the next blade is positioned for measurement. Repeat for each blade. The distance deviation should be equal within 1/8"(0.32cm).
3. If the blade wobble is still noticeable, Interchanging two adjacent (side by side) blades can redistribute the weight and possibly result in smoother operation.



Warning: To reduce the risk of personal injury, Do not bend the blade arm while installing, Balancing the blades, or cleaning the fan. Do not insert foreign objects between rotating fan blades.

Noise

When it is quiet (especially at night) you may hear occasional small noises. This is normal.

Please allow a 24-hour "breaking-in" period, Most noises associated with a new fan disappear during the time.

Care and cleaning

1. Periodic cleaning of your ceiling fan is the only maintenance required. Use a soft brush or lint free cloth to avoid scratching the paint finish. Please make sure to turn off electricity power before you clean your fan
2. Do not use water when cleaning your ceiling fan. It could damage the motor or the blades and create the possibility of an electrical shock.
3. Motor has permanently lubricated ball bearing. No need to oil.

Note: Make sure the power is off at the electrical panel box before you attempt any cleaning or repairs.

Información de seguridad

1. Para reducir el riesgo de descarga eléctrica, la electricidad se ha desconectado en el disyuntor o caja de fusibles antes de empezar.
2. Todo el cableado debe cumplir con el Código Eléctrico Nacional NASI/NFPA 70-1999 y los códigos eléctricos locales. La instalación eléctrica debe ser realizada por un electricista cualificado y autorizado.
3. La caja de salida y la estructura de soporte deben estar montadas de forma segura y ser capaces de soportar de forma fiable 35lb.(15,9kg). Utilice sólo cajas de salida listadas UL marcadas "Aceptable para soporte de ventilador de 35lbs(15,9kg) o menos".
4. El ventilador debe montarse con un espacio mínimo de 7 pies (2.1m) entre el borde de salida de las aspas y el suelo.
5. No accione el interruptor de marcha atrás mientras las aspas del ventilador estén en movimiento. Debe apagar el ventilador y detener las aspas antes de invertir la dirección de las aspas.
6. No coloque ningún objeto en la trayectoria de las aspas.
7. Para evitar lesiones o daños al ventilador y a otros objetos, tenga cuidado cuando trabaje alrededor del ventilador o lo limpie.
8. Los diagramas de cableado son meramente orientativos. Los kits de iluminación que no se suministran con el ventilador deben estar homologados por UL y marcados como adecuados para el modelo de ventilador que está instalando. Los interruptores deben ser interruptores de uso general UL. Consulte las instrucciones empaquetadas con los kits de iluminación y los interruptores para un correcto montaje.
9. Después de hacer las conexiones eléctricas, los conductores empalmados deben girarse hacia arriba y empujarse con cuidado en la caja de salida. Los cables deben extenderse con el conductor de tierra y el conductor de tierra del equipo en un lado de la caja de salida.
10. Todos los tornillos de fijación deben ser revisados y apretados si es necesario antes de la instalación.



ADVERTENCIA: Para reducir el riesgo de lesiones, no doble los soportes de las cuchillas (también conocidos como bridas) durante el montaje o después de la instalación y no introduzca objetos en la trayectoria de las cuchillas.



ADVERTENCIA: Retire los toques de goma del motor situados en la parte inferior del ventilador antes de instalar las aspas o probar el motor.



ADVERTENCIA: Para reducir el riesgo de incendio o descarga eléctrica, no utilice este ventilador con un dispositivo de control de velocidad de estado sólido.



ADVERTENCIA: Para evitar el riesgo de descarga eléctrica, desconecte la alimentación en la caja de fusibles principal antes de realizar el cableado. Si considera que no tiene suficientes conocimientos o experiencia en cableado eléctrico, póngase en contacto con un electricista autorizado.



ADVERTENCIA: Los esquemas eléctricos son orientativos. El uso opcional de cualquier kit de iluminación debe estar homologado por UL y marcado como adecuado para su uso con este ventilador.

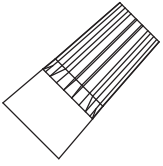


ADVERTENCIA: Para reducir el riesgo de incendio, descarga eléctrica o lesiones personales, instale la unidad en una caja de toma de corriente marcada como "Aceptable para un ventilador que pese 35 lbs (15.9 kg) o menos" y utilice los tornillos suministrados con la caja de toma de corriente.

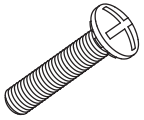
INFORMACIÓN TÉCNICA

Tensión nominal	Potencia nominal (motor)	Iluminación
120Vac	25W	18W

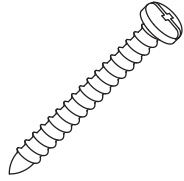
ADVERTENCIA: DESCONECTE LA ALIMENTACIÓN EN EL FUSIBLE O DISYUNTOR



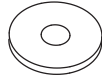
Tuerca de alambre de plástico (4pzas)



Tornillos (2pzas)



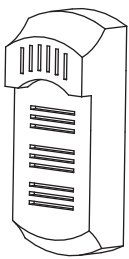
tornillos de montaje (2pzas)



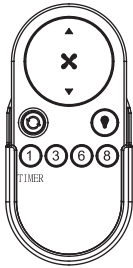
Arandela (2pzas)



Tornillo de la cuchilla (10pzas)

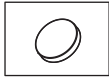


MANDO A DISTANCIA (1pza)



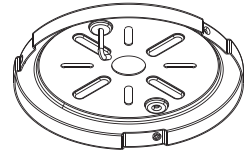
⌚ x 2

⌚ x 2

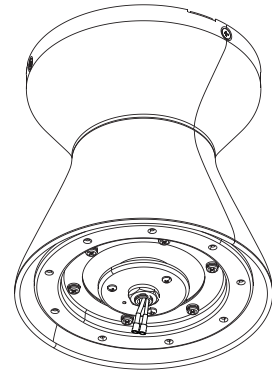


⌚ x 9

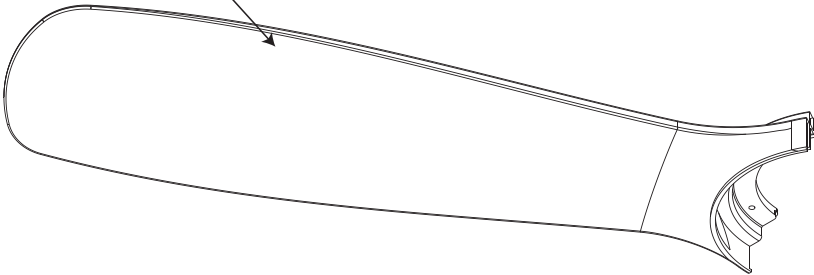
Placa de techo



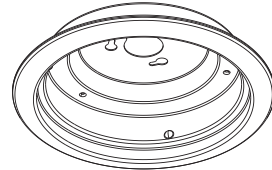
Conjunto motor



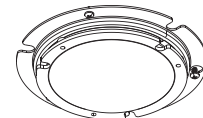
Cuchillas (3pzas)



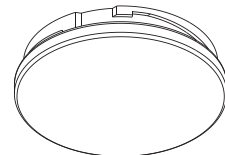
Carcasa del interruptor



Kit de luz



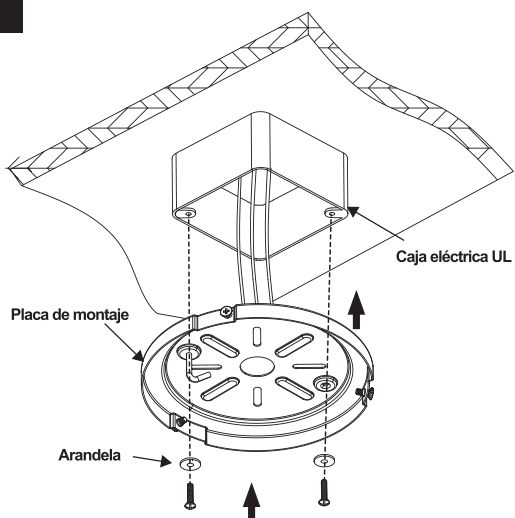
Pantalla de lámpara



Compruebe si los accesorios anteriores están completos o no? Sí, e instálelos.

ADVERTENCIA: DESCONECTE LA ALIMENTACIÓN EN EL FUSIBLE O DISYUNTOR

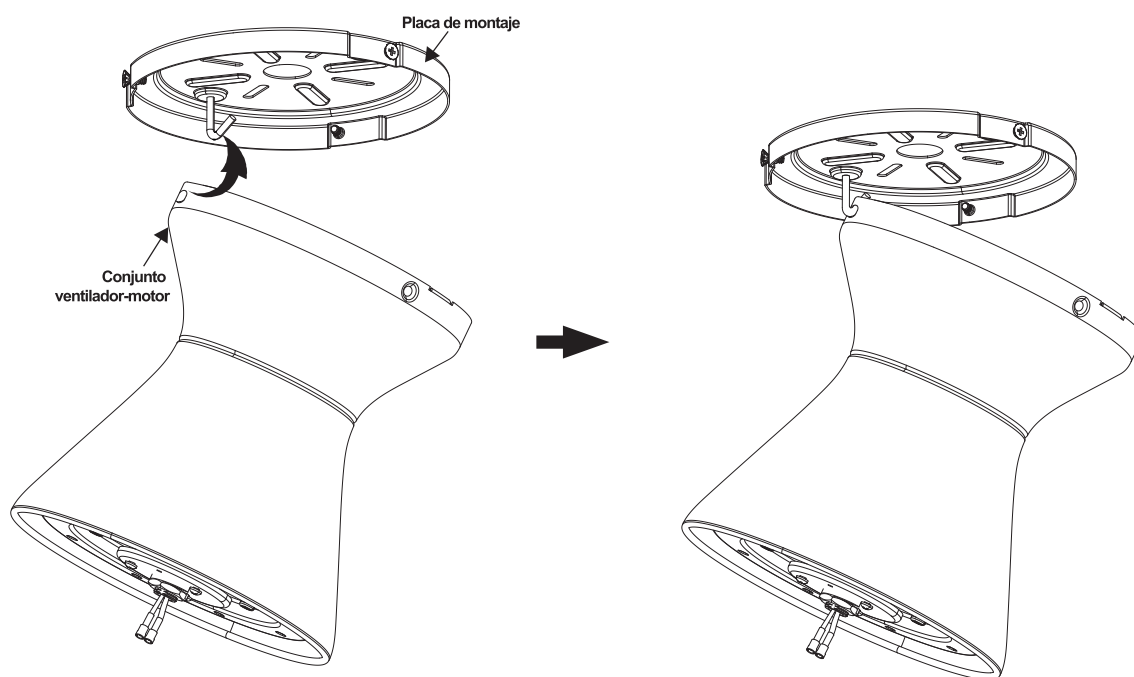
1



Compruebe la caja de salida existente (no incluida) para asegurarse de que está firmemente sujeta al menos a dos puntos de un elemento estructural del techo y de que puede soportar todo el peso del ventilador. Una vez verificado, instale el soporte de montaje en la caja de salida utilizando los tornillos y arandelas suministrados .

PELIGRO: Una caja de salida suelta puede hacer que el ventilador se tambalee y aumentar el potencial de caída del ventilador, lo que podría provocar lesiones graves.

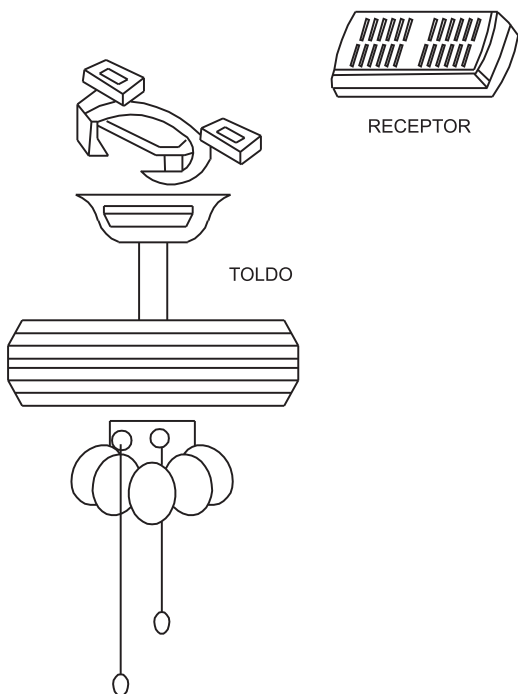
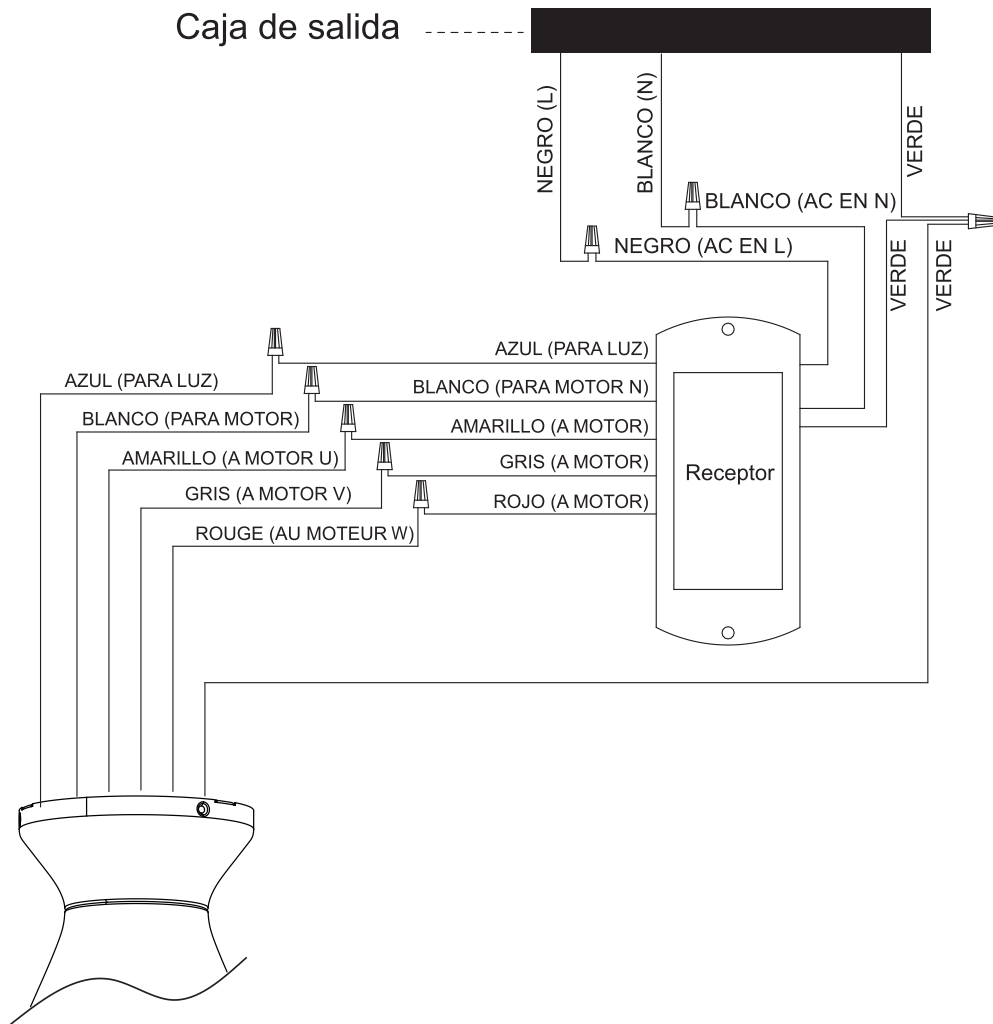
2



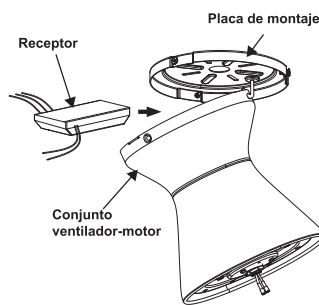
Cuelgue el conjunto del motor del conjunto del soporte de techo utilizando el gancho del conjunto del soporte de techo y el bucle del cable del conjunto del motor, tal como se muestra.

ADVERTENCIA: DESCONECTE LA ALIMENTACIÓN EN EL FUSIBLE O DISYUNTOR

Caja de salida



Instale el mando a distancia



Una vez realizadas las conexiones, coloque los conductores blanco y verde hacia un lado y los negros hacia el otro, la conexión debe girarse hacia arriba y empuje con cuidado los conductores dentro de la caja de salida.

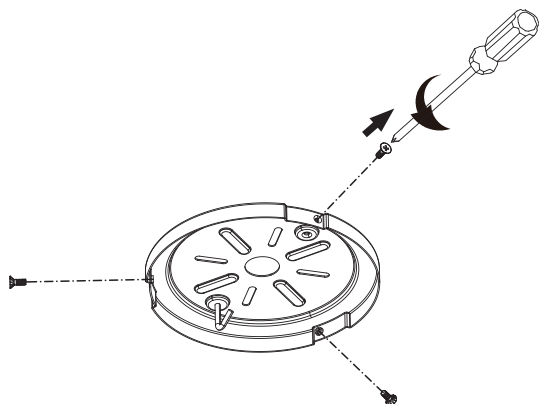
Los cables deben estar separados, con el conductor con toma de tierra y el conductor con toma de tierra del equipo en un lado de la caja de salida y el conductor sin toma de tierra en el otro lado.

LA LUZ DEBE MANTENERSE EN LA POSICIÓN DE ENCENDIDO

EL VENTILADOR DEBE MANTENERSE EN LA POSICIÓN DE ARRIBA

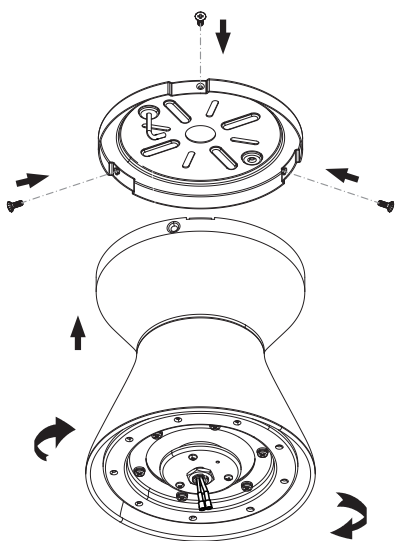
3

Retire los tres tornillos del conjunto de la placa del techo y consérvelos para más adelante.



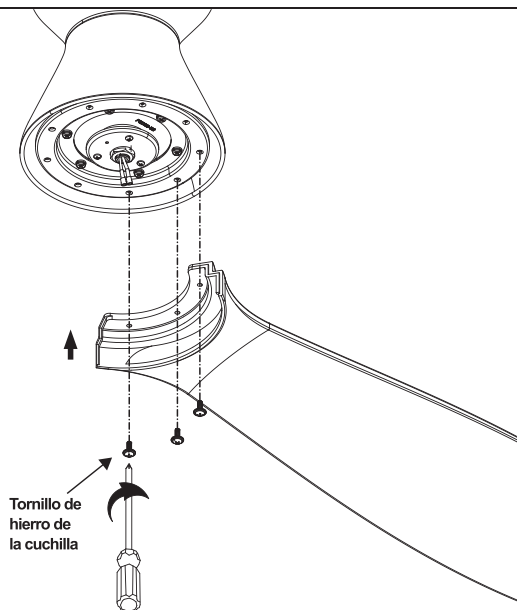
4

Alinee la lengüeta ancha del conjunto del motor con la muesca ancha del soporte de techo. Fije con cuidado el alojamiento del motor en las ranuras de montaje del soporte de techo girándolo en el sentido de las agujas del reloj. Asegúrese de que el receptor y todo el cableado estén metidos en la carcasa del motor y no queden aprisionados. Una vez que el conjunto del motor esté alineado con el techo, vuelva a colocar los tornillos retirados anteriormente y apriete firmemente los tres tornillos.



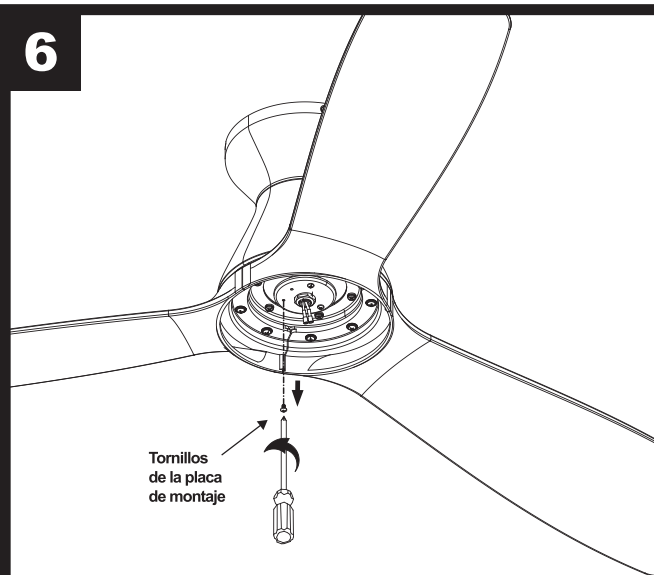
5

Fije las tres cuchillas con los tornillos de las cuchillas a través de los orificios situados en la parte inferior del conjunto del motor.



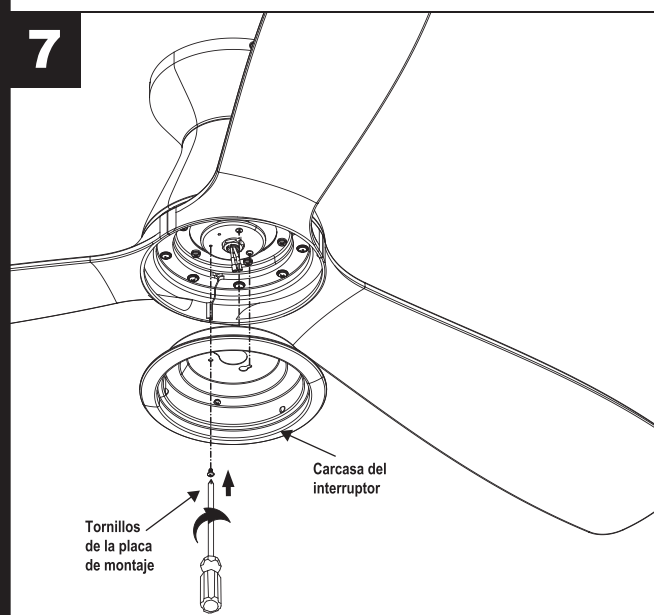
ADVERTENCIA: DESCONECTE LA ALIMENTACIÓN EN EL FUSIBLE O DISYUNTOR

6



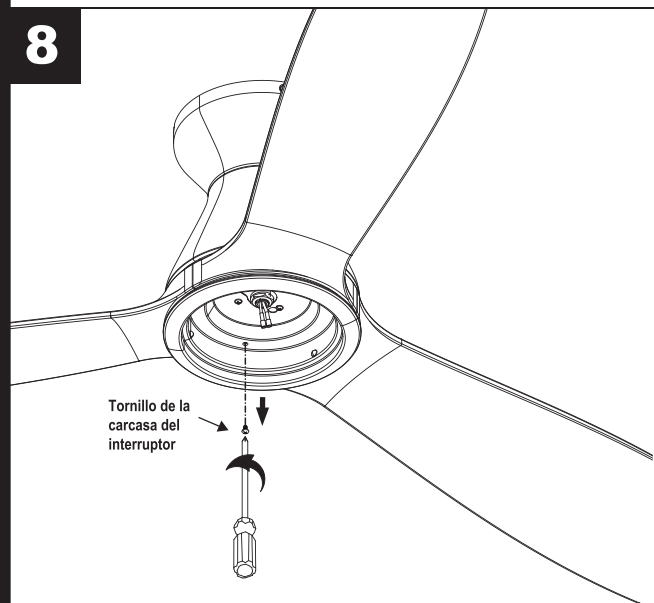
Retire uno de los tres tornillos de la abrazadera de soporte situada en la parte inferior del conjunto del motor.
Conserve el tornillo para más tarde y afloje ligeramente los dos tornillos restantes.

7



Monte el conjunto de la carcasa del interruptor en el soporte de apoyo utilizando las dos ranuras de llave del conjunto de la carcasa del interruptor.
Vuelva a colocar el tornillo retirado anteriormente y apriete firmemente los tres tornillos.

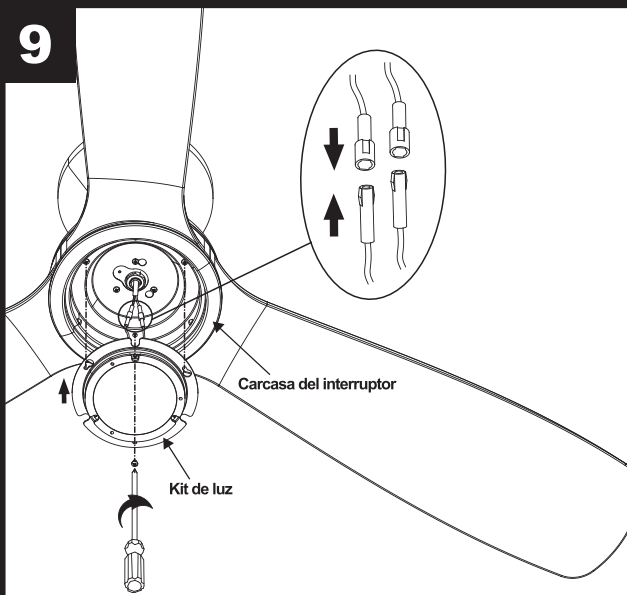
8



Retire uno de los tres tornillos del conjunto de la carcasa del interruptor.
Conserve el tornillo para más tarde y afloje ligeramente los dos tornillos restantes.

ADVERTENCIA: DESCONECTE LA ALIMENTACIÓN EN EL FUSIBLE O DISYUNTOR

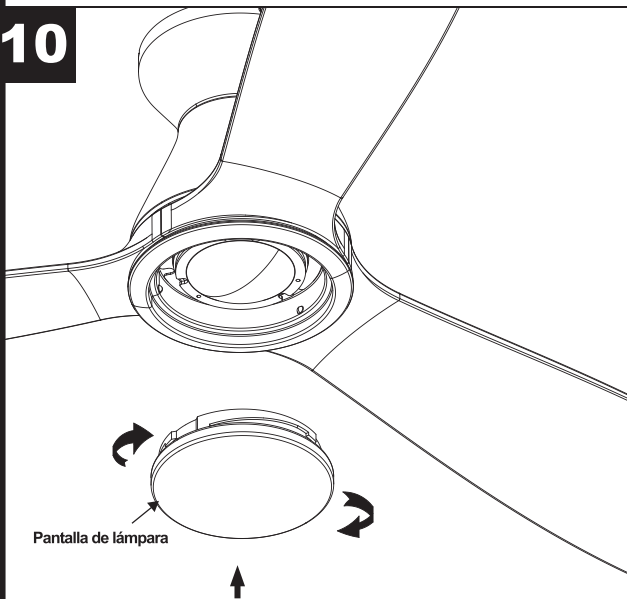
9



Conecte los 2 conectores de una clavija del kit de luces a los 2 conectores de una clavija del conjunto del motor. Monte el kit de luces en el conjunto de la carcasa del interruptor utilizando las dos ranuras de la llave. Vuelva a colocar el tornillo retirado y fije los tres tornillos.

Vuelva a colocar el tornillo retirado y fije los tres tornillos.

10

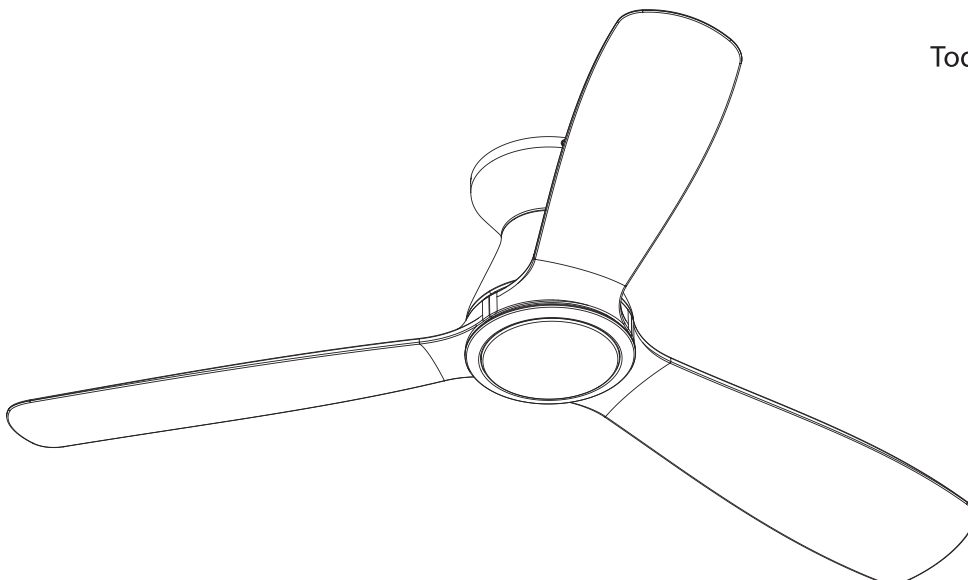


Fije la pantalla al conjunto de la carcasa del interruptor girándola en el sentido de las agujas del reloj.

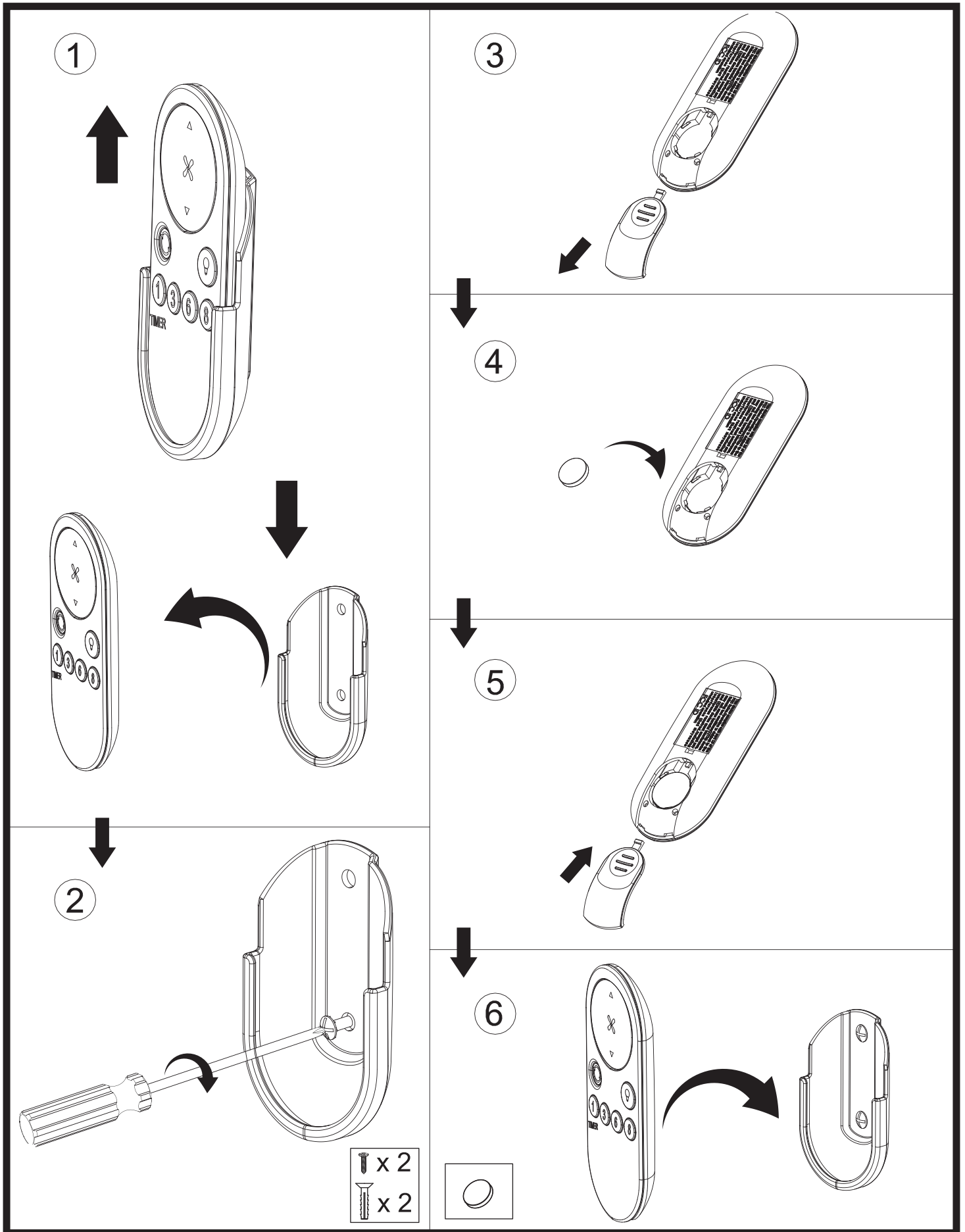
Gire la pantalla gradualmente hasta que encaje en la carcasa del interruptor.

No apriete demasiado.

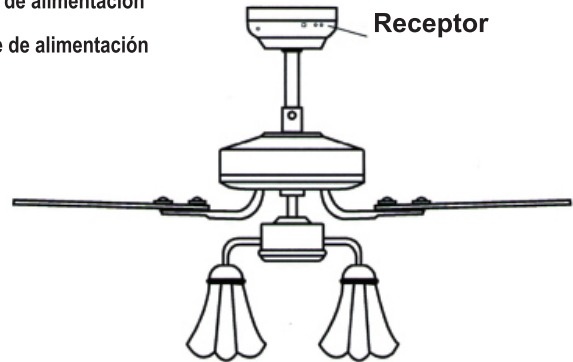
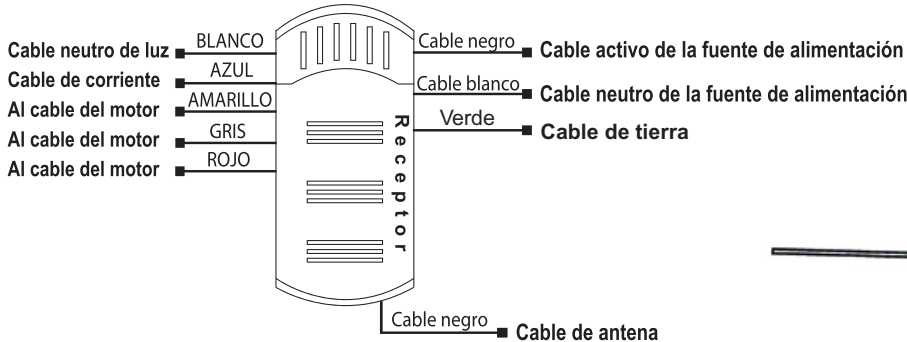
Toda la estructura



ADVERTENCIA: DESCONECTE LA ALIMENTACIÓN EN EL FUSIBLE O DISYUNTOR



ESQUEMA DE CONEXIÓN DEL RECEPTOR

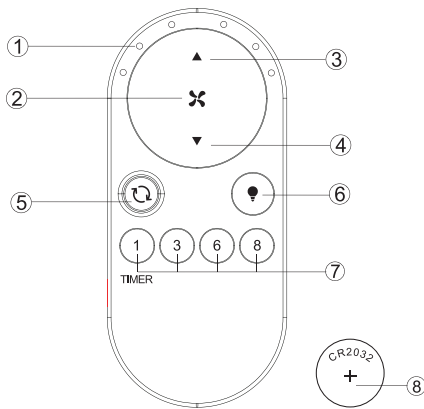


LISTA DE PARÁMETROS DE POTENCIA

Tensión	Ventilador (máx.)	Lámpara (máx.)
120 V	25W	18W

Adopta la técnica de emisión de dígitos inalámbricos RF, controlada biunívocamente, la tasa de códigos coincidentes es inferior a una millonésima. (El emisor y el receptor deben enviarse a fábrica para su mantenimiento si están dañados). El receptor puede ser controlado por cualquier ángulo del emisor en el espacio prescriptivo, sin restricción de dirección. Con la función de memoria, el controlador puede guardar el estado (luz y dirección) mientras la fuente de alimentación está apagada y reanudar al original después de recargar la fuente de alimentación.

INSTRUCCIÓN DE FUNCIÓN DEL TRANSMISOR



- ① Luz LED indicada
- ② Encendido/apagado del ventilador
- ③ Aumenta la velocidad del ventilador
- ④ Baje la velocidad del ventilador
- ⑤ Dirección del ventilador (interruptor de marcha atrás)
- ⑥ Pulsación corta: Encendido/apagado de la luz
Pulsación larga: ajusta el brillo de la luz
- ⑦ Control de temporización del ventilador
- ⑧ 3V CR2032 batería X 1 pza

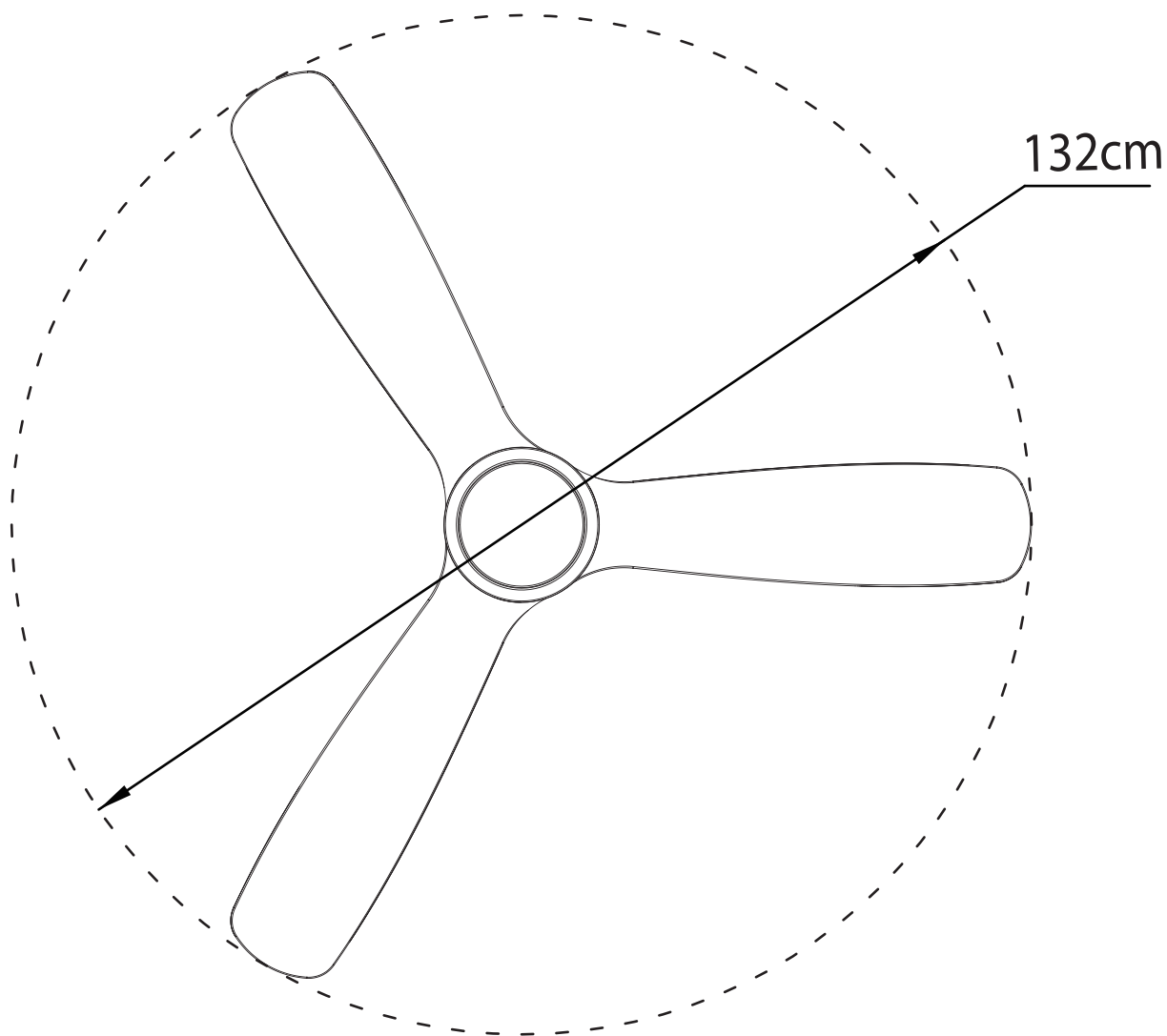
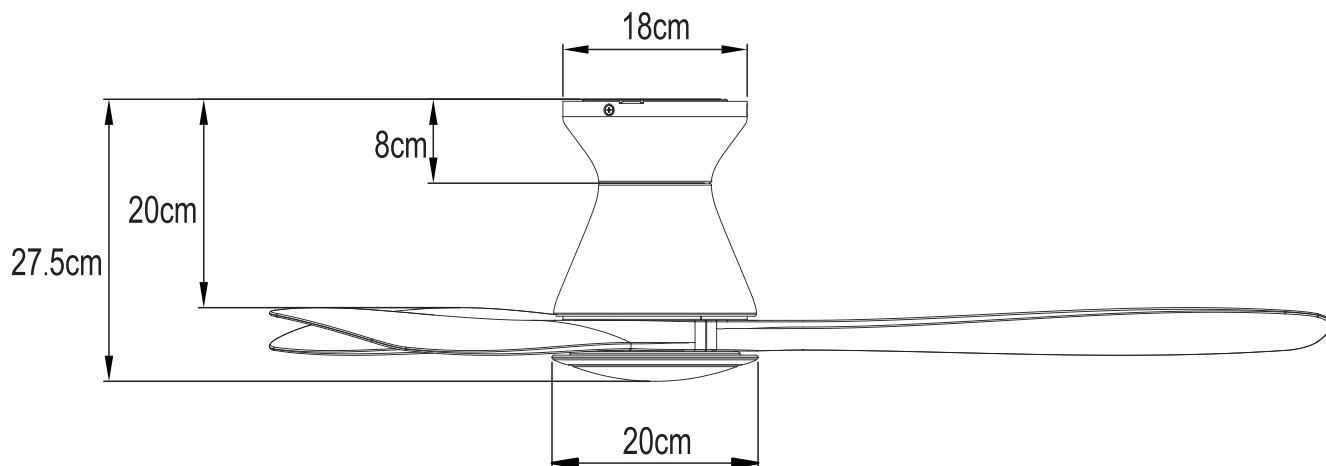
- a. ⚠ ADVERTENCIA: Peligro de quemaduras químicas. Mantenga las pilas fuera del alcance de los niños.
- b) Este producto contiene una pila de botón/moneda de litio. Si una pila de litio de botón/moneda nueva o usada se ingiere o entra en el cuerpo, puede causar quemaduras internas graves y provocar la muerte en tan sólo 2 horas. Asegure siempre completamente el compartimento de la pila. Si el compartimento de las pilas no cierra bien, deje de utilizar el producto, retire las pilas y manténgalo alejado de los niños.
- c) Si cree que las pilas han podido ser ingeridas o introducidas en cualquier parte del cuerpo, solicite atención médica inmediata.
- d) Las pilas deben desecharse correctamente, incluso manteniéndolas fuera del alcance de los niños.
- e) Incluso las pilas usadas pueden causar lesiones

RECORDATORIOS AMABLES:

1. Si el emisor no puede controlar el ventilador, se utiliza el modo de aprendizaje de código entre el emisor y el receptor. Encienda la fuente de alimentación en 30 segundos y pulse el botón "✕" del emisor durante 5 segundos, se puede cargar normalmente después de escuchar un sonido largo "bee", lo que significa que el aprendizaje se ha realizado con éxito y puede funcionar normalmente. **(PS: El modo de aprendizaje no se acepta después de encender "ON" la alimentación durante 30 segundos)**
 2. Cuando el emisor no puede controlar el receptor, por favor, compruebe el interruptor de la batería tocando normalmente o no, la corrección del positivo y negativo, lleno o vacío de la energía.
 3. Si el emisor no puede controlar el receptor, compruebe si hay productos similares controlados a distancia en las proximidades y si funcionan, ya que los productos controlados a distancia con la misma frecuencia se perturbarán mutuamente.
 4. Un voltaje bajo de la pila afectará a la sensibilidad del emisor y a la recepción de la señal (la luz indicadora parpadeará cuando la pila tenga un voltaje bajo), debe sustituir la pila si tiene un voltaje bajo.
 5. Por favor, saque la batería del emisor cuando se deja sin usar durante mucho tiempo.
 6. La carga máxima de iluminación se indica en la "LISTA DE PARÁMETROS DE ALIMENTACIÓN".
- PS: por favor, conecte el cable de tierra correctamente, de lo contrario puede causar la luz micro-light o flash**
7. Al instalar el ventilador, la cubierta del techo del ventilador no presione la antena (u otro cable), es fácil romper el cable y cortocircuito.

ADVERTENCIA: DESCONECTE LA ALIMENTACIÓN EN EL FUSIBLE O DISYUNTOR

TAMAÑO DEL PRODUCTO



GUÍA DE SOLUCIÓN DE PROBLEMAS

1. VENTILADOR / EL MANDO A DISTANCIA NO FUNCIONA

Asegúrese de que el mando a distancia está dentro del alcance de 20 pies del receptor.

Para reiniciar el mando a distancia: 1) Desconecte la alimentación del ventilador mediante el interruptor de pared o el disyuntor. 2) Retire las pilas del mando a distancia. 3) Espere 10 segundos. 4) Vuelva a colocar las pilas y encienda el ventilador.

Compruebe que las pilas están en buen estado y correctamente orientadas.

Compruebe que los interruptores de frecuencia (interruptores DIP) del mando a distancia al receptor están en la misma frecuencia

Compruebe los fusibles o disyuntores del circuito principal y de los circuitos derivados.

Si utiliza un interruptor de pared de velocidad variable, asegúrese de que está diseñado específicamente para su uso con un ventilador de techo.

Compruebe las conexiones de los cables al ventilador y las conexiones de los cables del interruptor en la carcasa del interruptor siguiendo las instrucciones.

Si el ventilador sigue sin funcionar, póngase en contacto

2. EL VENTILADOR HACE RUIDO

Asegúrese de que todos los tornillos de la carcasa del motor están apretados.

Asegúrese de que los tornillos que sujetan las aspas del ventilador al motor están apretados.

Asegúrese de que los conectores de las tuercas de los cables no chocan entre sí ni con la pared interior de la carcasa del interruptor.

Permita un periodo de rodaje de 24 horas. La mayoría de los ruidos asociados con el nuevo ventilador pueden desaparecer durante este tiempo.

si utiliza un kit de iluminación de techo, asegúrese de que la cristalería está bien sujeta

Asegúrese de que hay una corta distancia/espacio entre el techo y la parte superior de la campana. La cubierta no debe tocar el techo.

Asegúrese de que la caja del techo esté bien sujeta y de que se utilicen las almohadillas aislantes de goma entre el soporte de montaje y la caja de salida.

3. EL VENTILADOR SE TAMBALEA

Verifique que todas las aspas y los tornillos del soporte de las aspas estén bien sujetos (la mayoría de los problemas de bamboleo del ventilador son causados por piezas sueltas). Una vez que el ventilador esté instalado correctamente, haga funcionar el ventilador de techo durante 10 minutos para que el ventilador se autoajuste.

Si el ventilador se tambalea después de 10 minutos de funcionamiento, verifique el nivel de las aspas mediante el siguiente proceso:

a) seleccione un punto en el techo por encima de la punta de una de las aspas. A continuación, seleccione el aspa del ventilador y mida desde el centro del aspa seleccionada hasta el punto en el techo. Gire el ventilador hasta colocar el siguiente aspa y repita la medición utilizando el mismo punto del techo para cada aspa. Las mediciones deben estar dentro de 1/8 de pulgada.

b) Si todas las desviaciones son inferiores a 1/8 de pulgada y el ventilador sigue oscilando, póngase en contacto con el servicio de atención al cliente para solicitar un kit de equilibrado de palas gratuito.

-Si todas las desviaciones son inferiores a 1/8 de pulgada y el ventilador sigue tambaleándose, póngase en contacto con el servicio de atención al cliente para solicitar un kit de equilibrado de palas gratuito.

4. LA LUZ NO FUNCIONA

Conexiones eléctricas sueltas.

Desconecte la electricidad del circuito derivado en la caja de fusibles o en el panel de disyuntores y compruebe que los conectores eléctricos del conjunto de la luz LED están bien instalados.

Para reiniciar el mando a distancia: 1) Desconecte la alimentación del ventilador mediante el interruptor de pared o el disyuntor. 2) Retire las pilas del mando a distancia. 3) Espere 10 segundos. 4) Vuelva a colocar las pilas y encienda el ventilador.

AFTER INSTALLATION

Wobble

The fan blades have been adjusted in the factory to minimize any wobble

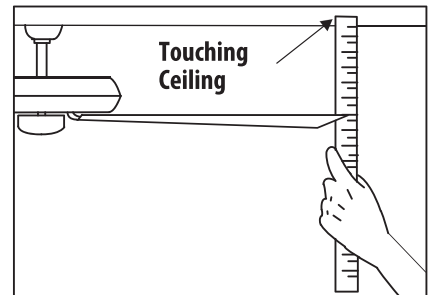
Nota: : los ventiladores de techo tienden a moverse durante su funcionamiento debido a que están montados sobre un ojal de goma. Si el ventilador estuviera montado rígidamente en el techo, causaría un exceso de vibración. Un movimiento de unos pocos centímetros es bastante aceptable y no sugiere ningún problema para reducir el bamboleo del ventilador: Compruebe que todos los tornillos que fijan el soporte de montaje y la varilla de bajada están bien apretados.

Equilibrar un ventilador de techo que se tambalea:

1. Compruebe que todos los tornillos de las aspas y del brazo de las aspas estén bien sujetos.
2. La mayoría de los problemas de bamboleo del ventilador se deben a que el nivel de las aspas es desigual. Compruebe este nivel eligiendo un punto en el techo por encima de la punta de una de las aspas. Mida esta distancia. Gire el ventilador hasta que el siguiente aspa esté posicionada para la medición. Repita el procedimiento para cada aspa. La desviación de la distancia debe ser igual dentro de 1/8"(0,32cm).

3. Si el bamboleo de las aspas sigue siendo perceptible, el intercambio de dos aspas adyacentes (una al lado de la otra) puede redistribuir el peso y posiblemente resultar en un funcionamiento más suave.

Advertencia: Para reducir el riesgo de lesiones personales, no doble el brazo de las aspas mientras instala, equilibra las aspas o limpia el ventilador. No introduzca objetos extraños entre las aspas giratorias del ventilador.



Ruido

Cuando todo está tranquilo (sobre todo por la noche), es posible que oiga pequeños ruidos ocasionales. Esto es normal.

La mayoría de los ruidos asociados a un ventilador nuevo desaparecen durante ese tiempo.

Cuidado y limpieza

1. La limpieza periódica de su ventilador de techo es el único mantenimiento necesario. Utilice un cepillo suave o un paño que no suelte pelusa para evitar rayar el acabado de la pintura. Asegúrese de desconectar la corriente eléctrica antes de limpiar el ventilador.
2. No utilice agua para limpiar el ventilador de techo. Podría dañar el motor o las aspas y crear la posibilidad de una descarga eléctrica.
3. El motor tiene rodamientos de bolas lubricados permanentemente. No necesita aceite.

Nota: Asegúrese de que la corriente está desconectada en la caja del cuadro eléctrico antes de intentar cualquier limpieza o reparación.

Informations sur la Sécurité

1. Pour réduire le risque de choc électrique, l'électricité a été coupée au niveau du disjoncteur ou de la boîte à fusibles avant de commencer.
2. Tout le câblage doit être conforme au Code national de l'électricité NASI/NFPA 70-1999 et aux codes électriques locaux. L'installation électrique doit être effectuée par un électricien qualifié et agréé.
3. La boîte de sortie et la structure de support doivent être solidement montées et capables de supporter de manière fiable 35lb.(15,9kg). Utilisez uniquement des boîtes de sortie homologuées UL portant la mention "Acceptable for Fan Support of 35lbs(15,9kg)or less."
4. Le ventilateur doit être monté avec un dégagement minimum de 7 pieds (2,1m) entre le bord de fuite des pales et le sol.
5. N'actionnez pas le commutateur d'inversion lorsque les pales du ventilateur sont en mouvement. Vous devez éteindre le ventilateur et arrêter les pales avant d'inverser le sens des pales.
6. Ne placez pas d'objets dans la trajectoire des pales.
7. Pour éviter toute blessure ou tout dommage au ventilateur et à d'autres articles, veuillez être prudent lorsque vous travaillez autour du ventilateur ou lorsque vous le nettoyez.
8. Les schémas électriques ne sont donnés qu'à titre indicatif Les kits d'éclairage qui ne sont pas emballés avec le ventilateur doivent être répertoriés UL et marqués comme convenant au modèle de ventilateur que vous installez. Les interrupteurs doivent être des interrupteurs à usage général UL. Reportez-vous aux instructions emballées avec les kits d'éclairage et les interrupteurs pour un assemblage correct.
9. Après avoir effectué les connexions électriques, les conducteurs épissés doivent être tournés vers le haut et poussés avec précaution dans la boîte de sortie. Les fils doivent être écartés avec le conducteur mis à la terre et le conducteur de mise à la terre de l'équipement d'un côté de la boîte de sortie.
10. Toutes les vis de pression doivent être vérifiées et resserrées si nécessaire avant l'installation.



AVERTISSEMENT: pour réduire les risques de blessures, ne pliez pas les supports de pales (également appelés brides) pendant l'assemblage ou après l'installation et n'insérez pas d'objets dans la trajectoire des pales.



AVERTISSEMENT: Retirez les butées en caoutchouc du moteur situées au bas du ventilateur avant d'installer les pales ou de tester le moteur.



AVERTISSEMENT: Pour réduire les risques d'incendie ou d'électrocution, n'utilisez pas ce ventilateur avec un dispositif de contrôle de vitesse à semi-conducteurs.



AVERTISSEMENT: Pour éviter tout risque de choc électrique, coupez l'électricité au niveau de la boîte à fusibles principale avant de procéder au câblage. Si vous pensez ne pas avoir suffisamment de connaissances ou d'expérience en matière de câblage électrique, contactez un électricien agréé.



AVERTISSEMENT: Les schémas électriques ne sont donnés qu'à titre indicatif. L'utilisation facultative de tout kit d'éclairage doit être répertorié UL et marqué comme convenant à l'utilisation de ce ventilateur.

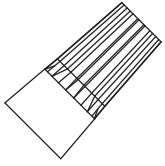


AVERTISSEMENT: Pour réduire les risques d'incendie, d'électrocution ou de blessures corporelles, installez l'appareil sur une boîte de sortie portant la mention " Acceptable pour un ventilateur supportant 35 lbs (15,9 kg) ou moins " et utilisez les vis fournies avec la boîte de sortie.

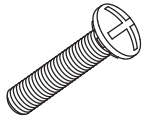
INFORMATION TECHNIQUE

Tension nominale	Puissance nominale (moteur)	Lumière
120Vac	25W	18W

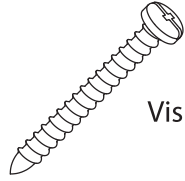
VERTISSEMENT : COUPER L'ALIMENTATION AU FUSIBLE OU AU DISJONCTEUR



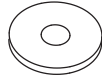
Écrou pour fil en
plastique (4PCS)



Vis (2PCS)



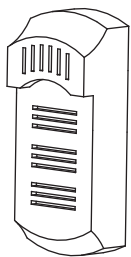
Vis de montage (2PCS)



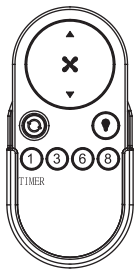
Rondelle (2PCS)



Vis à lame (10PCS)

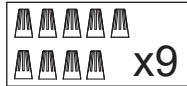
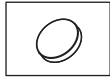


TÉLÉCOMMANDE (1PC)

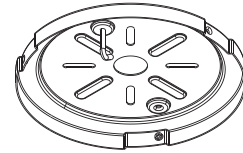


⌚ x 2

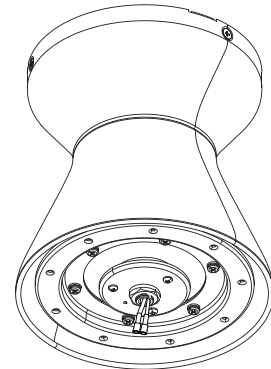
⌚ x 2



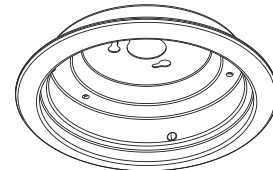
Plaque de plafond



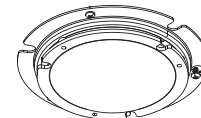
Assemblage moteur



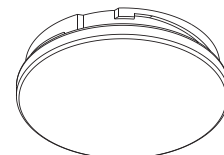
Boîtier de l'interrupteur



Kit de lumière

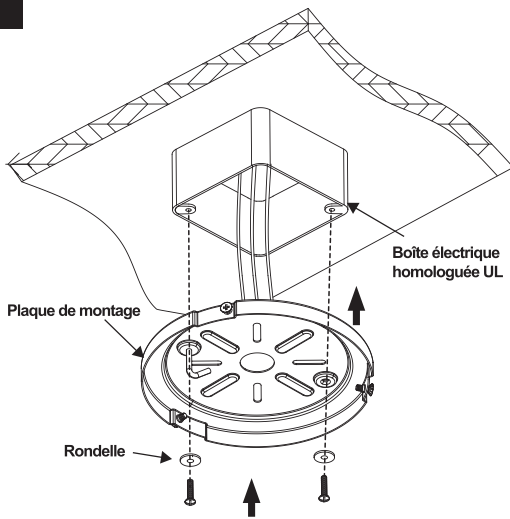


Abat-jour



Veillez vérifier si les accessoires ci-dessus sont terminés ou non? Oui, et installez-les.

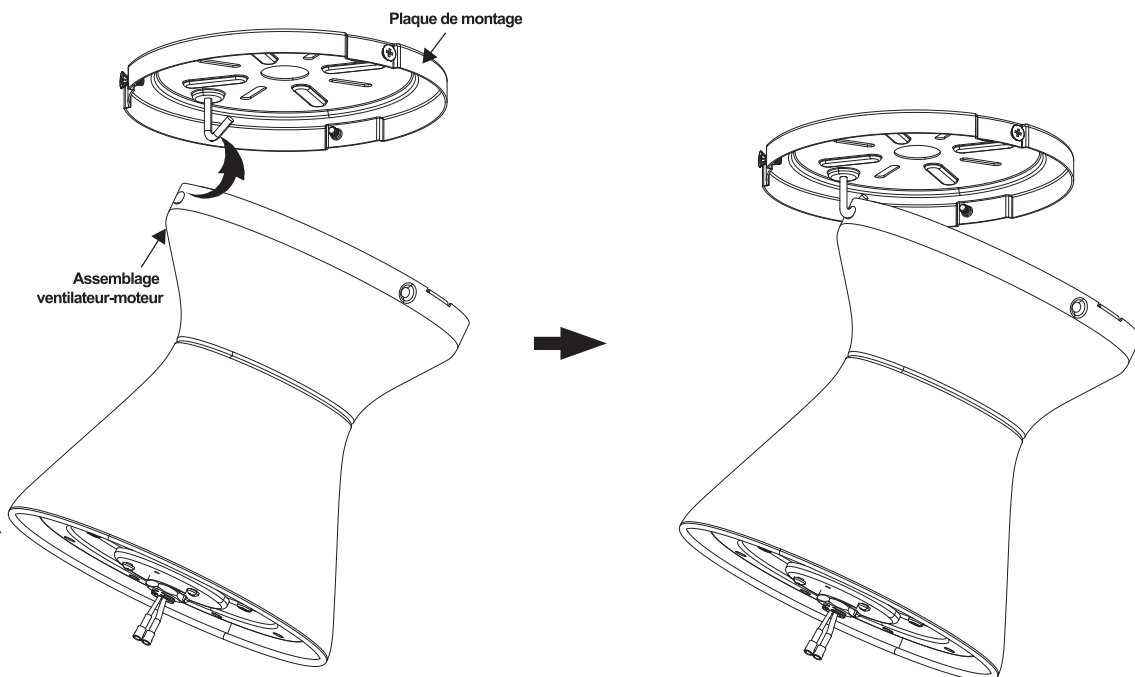
1



Vérifier la boîte de sortie existante (non fournie) pour s'assurer qu'elle est solidement fixée à au moins deux points d'un élément structural du plafond et qu'elle peut supporter tout le poids du ventilateur. Une fois cette vérification effectuée, installez la plaque de plafond sur la boîte de sortie à l'aide des vis et des rondelles fournies.

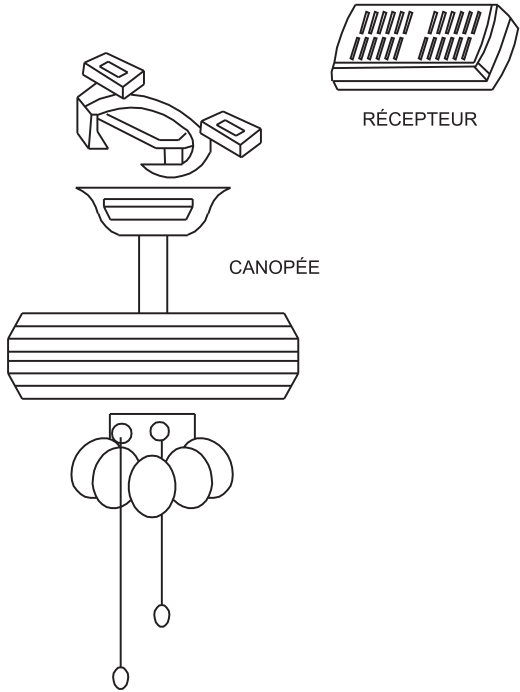
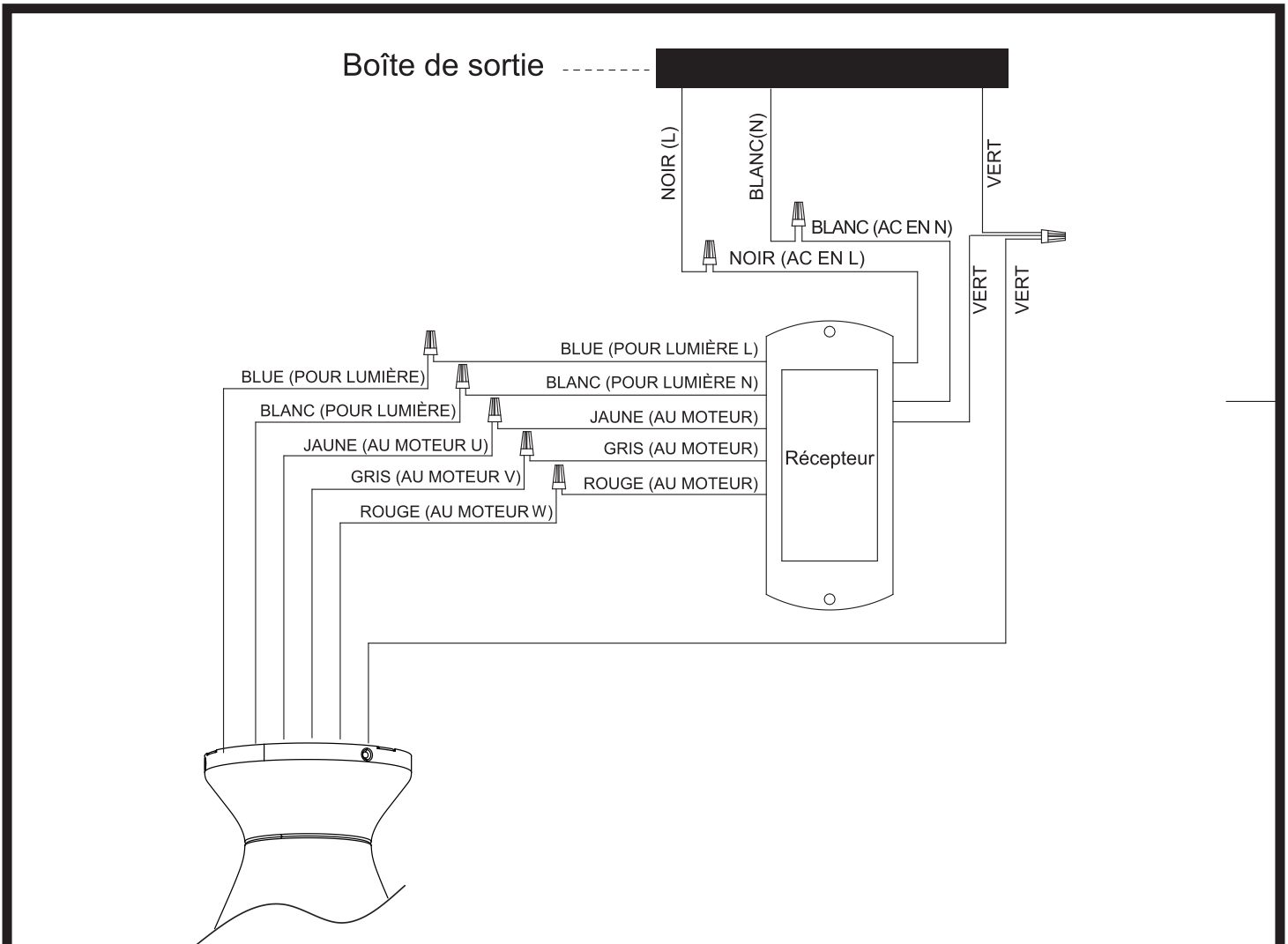
DANGER: Une boîte de sortie mal fixée peut faire vaciller le ventilateur et augmenter son potentiel de chute, ce qui peut entraîner des blessures graves ou mortelles.

2



Accrocher le moteur à l'ensemble du support de plafond à l'aide du crochet du support de plafond et de la boucle de câble du de l'assemblage du moteur, comme illustré.

VERTISSEMENT : COUPER L'ALIMENTATION AU FUSIBLE OU AU DISJONCTEUR



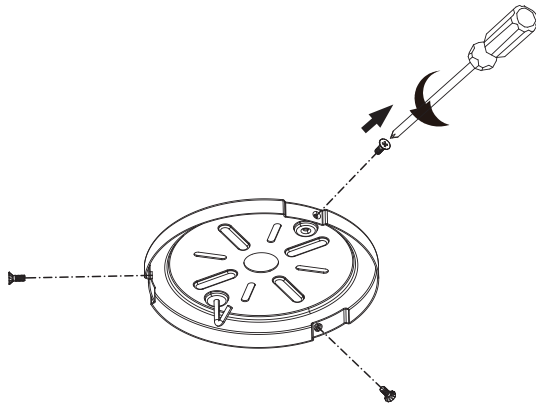
Installer la télécommande

Une fois les connexions effectuées, placez les fils blanc et vert d'un côté et les fils noirs de l'autre, la connexion doit être tournée vers le haut et poussez soigneusement les fils dans la boîte de sortie.

Les fils doivent être écartés avec le conducteur de mise à la terre et le conducteur de mise à la terre de l'équipement d'un côté de la boîte de sortie et le conducteur non relié à la terre de l'autre côté.

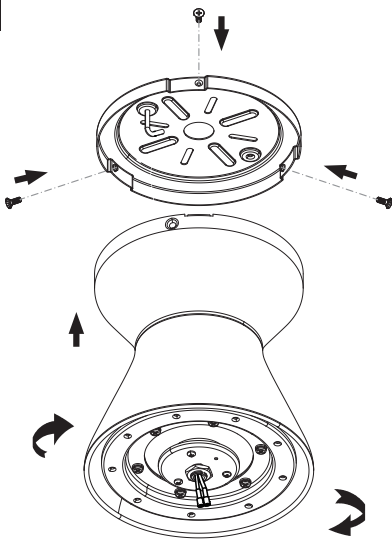
LA LUMIÈRE DOIT ÊTRE MAINTENUE EN POSITION ALLUMÉE
LE VENTILATEUR DOIT ÊTRE MAINTENU EN POSITION HAUTE

3



Retirez les trois vis de la plaque de plafond et conservez-les pour plus tard. et conservez-les pour plus tard.

4

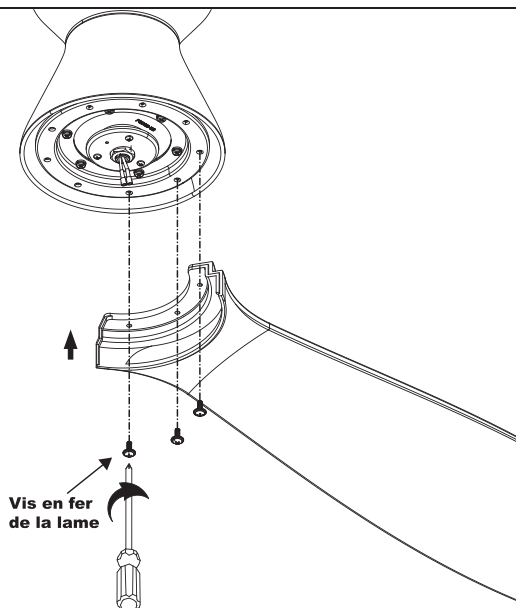


Alignez la languette large du moteur sur l'encoche large du support de plafond. Fixez soigneusement le boîtier du moteur sur les fentes de montage du support de plafond en le tournant dans le sens des aiguilles d'une montre.

Veillez à ce que le récepteur et tous les câbles soient rentrés dans le boîtier du moteur et ne soient pas coincés.

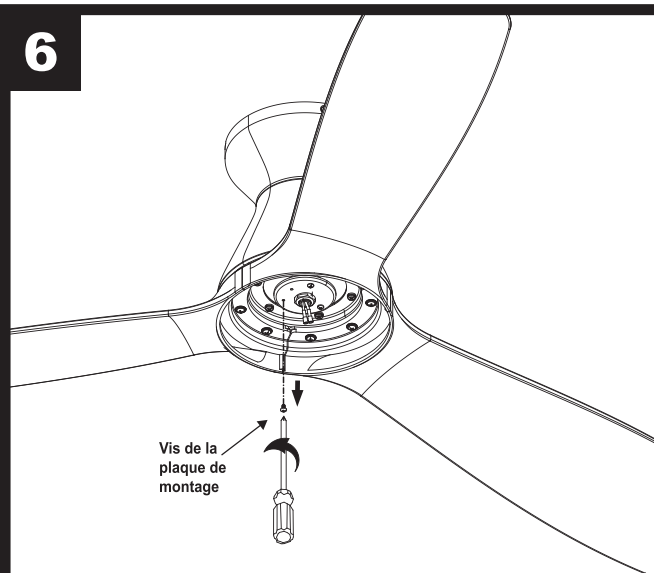
Une fois que le moteur est au ras du plafond, remplacez les vis retirées précédemment et serrez fermement les trois vis.

5



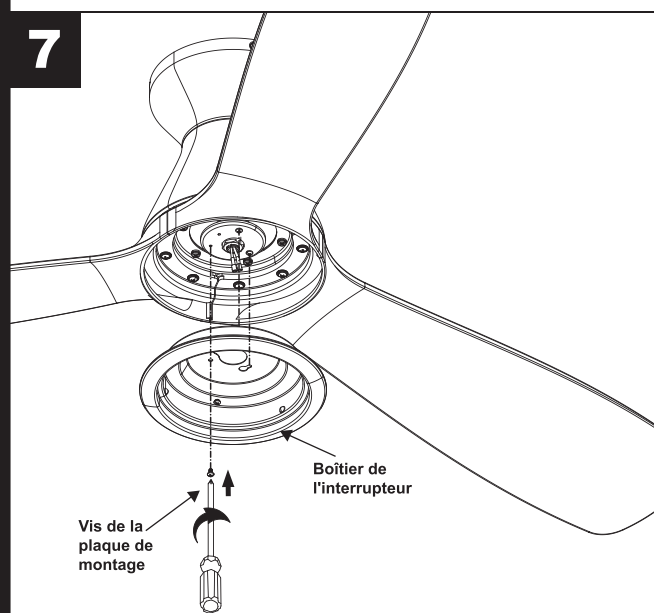
Fixez les trois lames à l'aide des vis de lames à travers les trous situés sur la partie inférieure de l'ensemble de l'ensemble moteur.

6



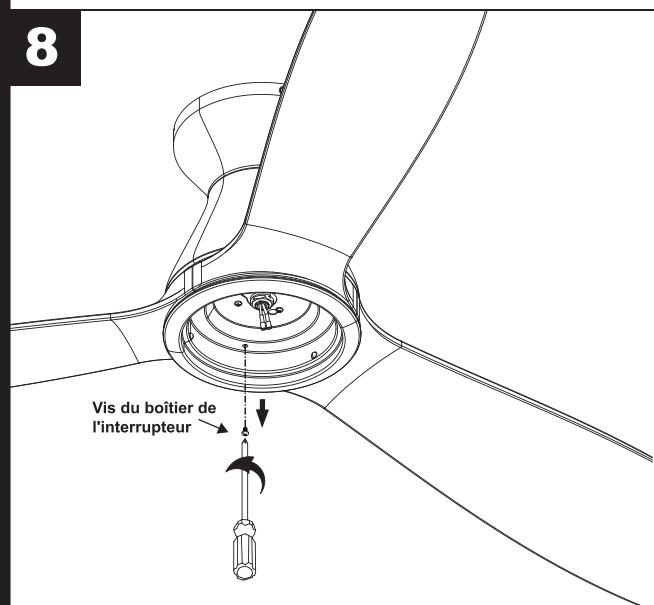
Retirez l'une des trois vis du support situé au bas de l'ensemble du moteur.
Conservez la vis pour plus tard et desserrez légèrement les deux autres vis.

7



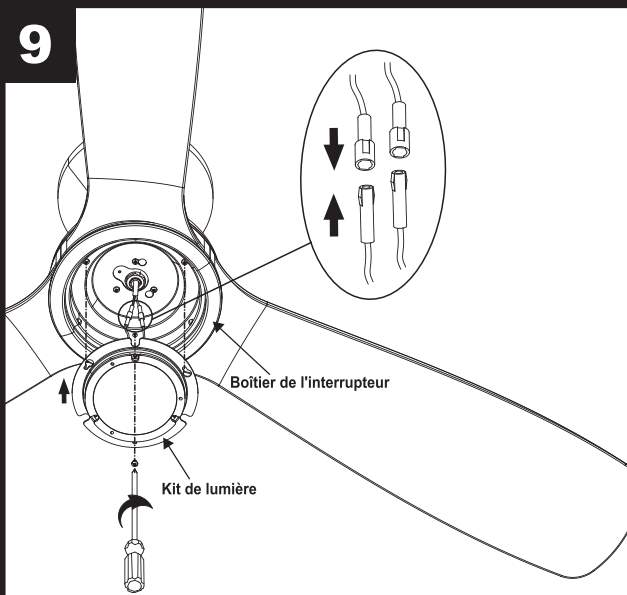
Assembler le boîtier de l'interrupteur au support en utilisant les deux fentes du boîtier de l'interrupteur.
Remplacez la vis précédemment retirée et serrez fermement les trois vis.

8



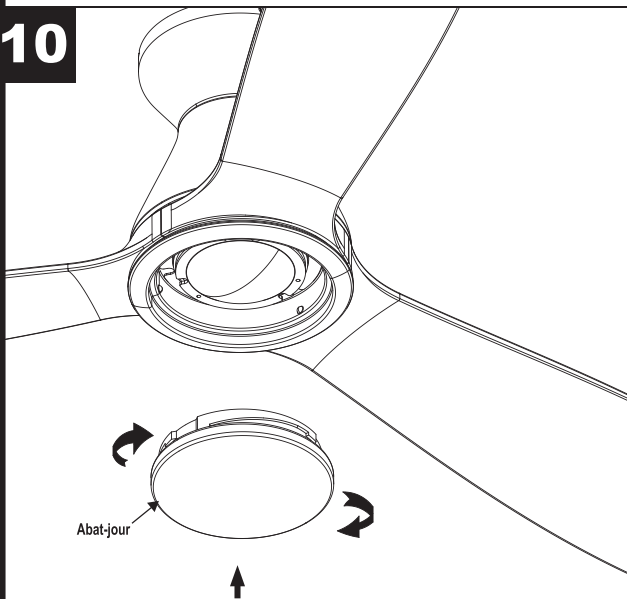
Retirez l'une des trois vis du boîtier de l'interrupteur.
Conservez la vis pour plus tard et desserrez légèrement les deux autres vis.

9



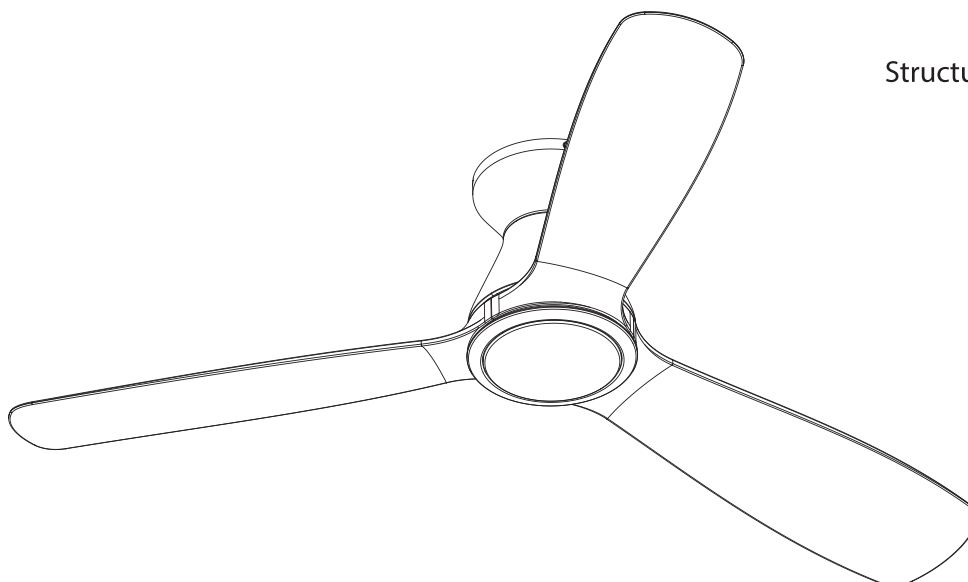
Connecter les 2 connecteurs à simple broche du kit d'éclairage aux 2 connecteurs à simple broche de l'assemblage du moteur. Assembler le kit d'éclairage au boîtier de l'interrupteur en utilisant les deux fentes de la clé.
Remplacer la vis retirée et fixer les trois vis.

10



Fixez l'abat-jour au boîtier de l'interrupteur en le tournant dans le sens des aiguilles d'une montre. Tournez progressivement l'abat-jour jusqu'à ce qu'il s'enclenche dans le boîtier de l'interrupteur. Ne pas trop serrer.

Structure complète



VERTISSEMENT : COUPER L'ALIMENTATION AU FUSIBLE OU AU DISJONCTEUR

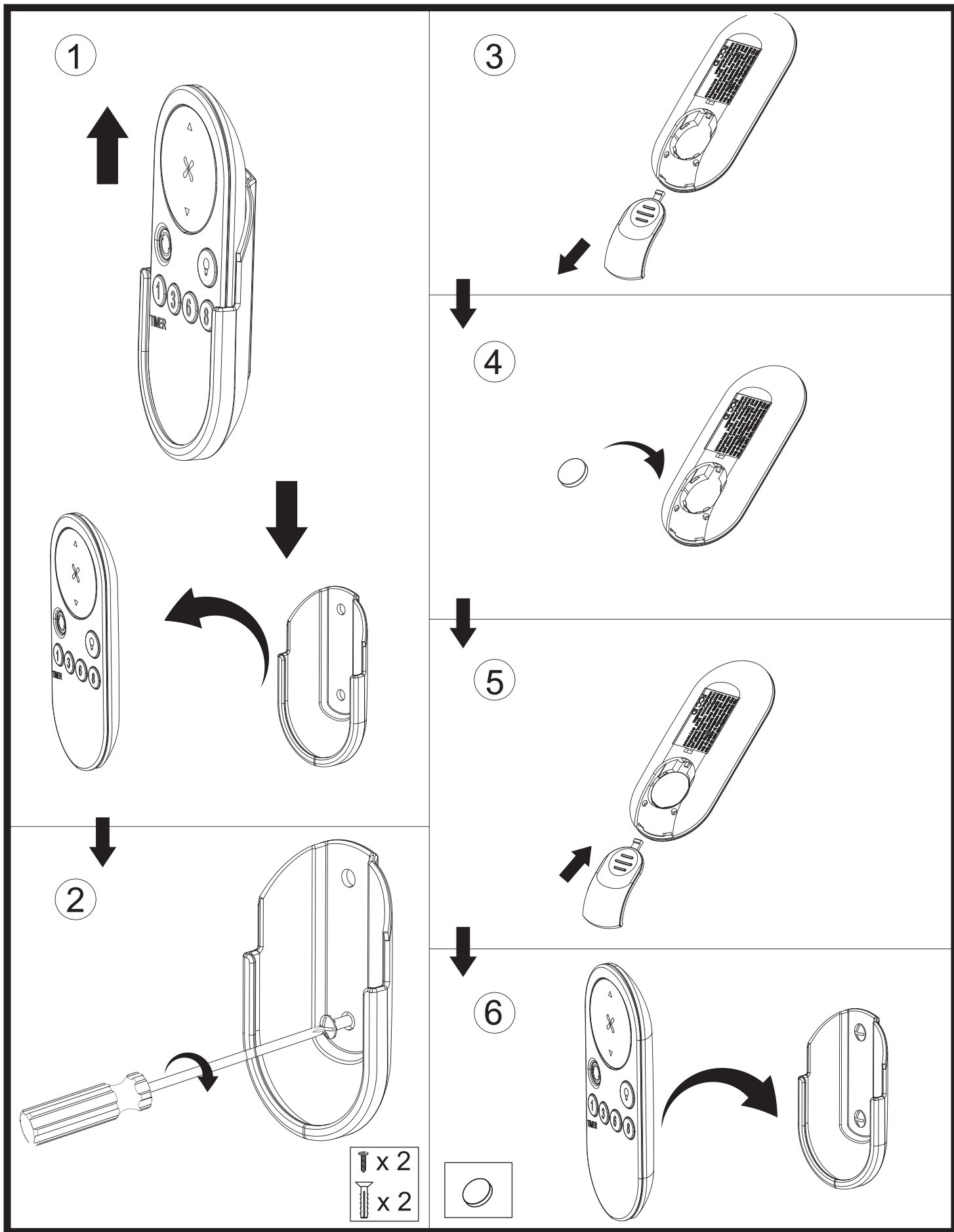
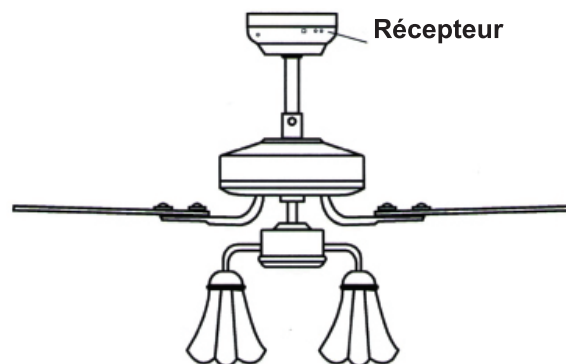
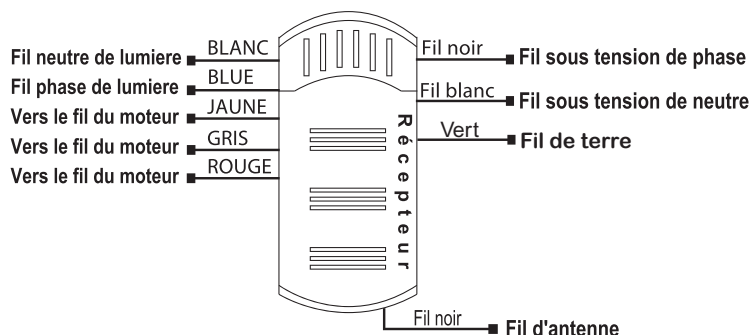


SCHÉMA DE CÂBLAGE DU RÉCEPTEUR

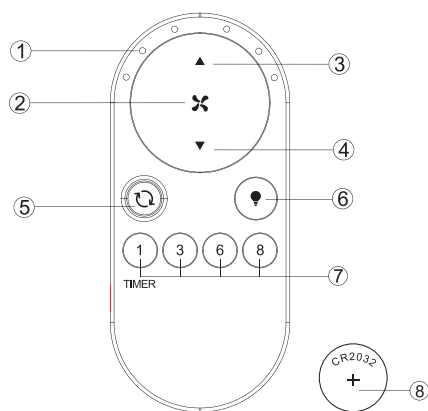


LISTE DES PARAMÈTRES DE PUISSANCE

Tension	Ventilateur (max.)	Lampe (max.)
120 V	25W	18W

Adopte la technique d'émission de chiffres sans fil RF, contrôlée par biunique, le taux de code coïncident est inférieur à un millionième. millionième. (L'émetteur et le récepteur doivent être renvoyés à l'usine pour maintenance s'ils sont endommagés). Le récepteur peut être contrôlé par n'importe quel angle de l'émetteur dans un espace normalisé, sans restriction de direction. Grâce à la fonction de mémoire, le contrôleur peut enregistrer l'état (lumière et direction) lorsque l'alimentation est éteinte et revenir à l'état d'origine après avoir rechargé l'alimentation.

INSTRUCTION DE FONCTION DE L'ÉMETTEUR



- ① LED indicated light
 - ② Marche/Arrêt du ventilateur
 - ③ Augmentez la vitesse du ventilateur
 - ④ Baissez la vitesse du ventilateur
 - ⑤ Direction du ventilateur (interrupteur de marche arrière)
 - ⑥ Appui court : Allumer/éteindre la lumière
Appui long : Régler la luminosité de la lumière
 - ⑦ Contrôle de la temporisation du ventilateur
 - ⑧ Pile 3V CR2032 X 1 pcs
- a. ⚠ **AVERTISSEMENT** : Risque de brûlure chimique. Tenir les piles hors de portée des enfants.
 b) Ce produit contient une pile bouton/pile bouton au lithium. Si une pile bouton/cellule de monnaie au lithium, neuve ou usagée, est avalée ou pénètre dans le corps, elle peut provoquer de graves brûlures internes et entraîner la mort en seulement 2 heures. Fermez toujours complètement le compartiment à piles. Si le compartiment à piles ne ferme pas correctement, arrêtez d'utiliser le produit, retirez les piles et tenez-le hors de portée des enfants. Si vous pensez que des piles ont été avalées ou placées à l'intérieur d'une partie du corps, consultez immédiatement un médecin.
 c) Les piles doivent être éliminées de manière appropriée, y compris hors de portée des enfants.
 d) Même les piles usagées peuvent provoquer des blessures

DES RAPPELS BIENVEILLANTS :

1. Si l'émetteur ne peut pas contrôler le ventilateur, le mode de correspondance des codes d'apprentissage est utilisé entre l'émetteur et le récepteur. Mettez l'alimentation sous tension dans les 30 secondes et appuyez sur le bouton "✂" de l'émetteur pendant 5 secondes, il peut se charger normalement après avoir entendu un long son "bee", ce qui signifie que l'apprentissage a réussi et qu'il peut fonctionner normalement.

(PS : Le mode d'apprentissage n'est pas accepté après avoir mis l'appareil sous tension pendant 30 secondes).

2. Si l'émetteur ne peut pas contrôler le récepteur, vérifiez que l'interrupteur de la batterie touche normalement ou non, que le positif et le négatif sont corrects, que la batterie est pleine ou vide. positif et négatif, l'alimentation pleine ou vide.

3. Lorsque l'émetteur ne peut pas contrôler le récepteur, vérifiez s'il existe des produits télécommandés similaires à proximité, Vérifiez ensuite s'ils fonctionnent, car les produits télécommandés ayant la même fréquence se perturbent mutuellement.

4. La faible tension de la batterie affecte la sensibilité de l'émetteur et la réception du signal en conséquence (le voyant lumineux clignote lorsque la batterie est faible). Il faut remplacer la pile si elle est faible.

5. Veuillez retirer la pile de l'émetteur si vous ne l'utilisez pas pendant une longue période.

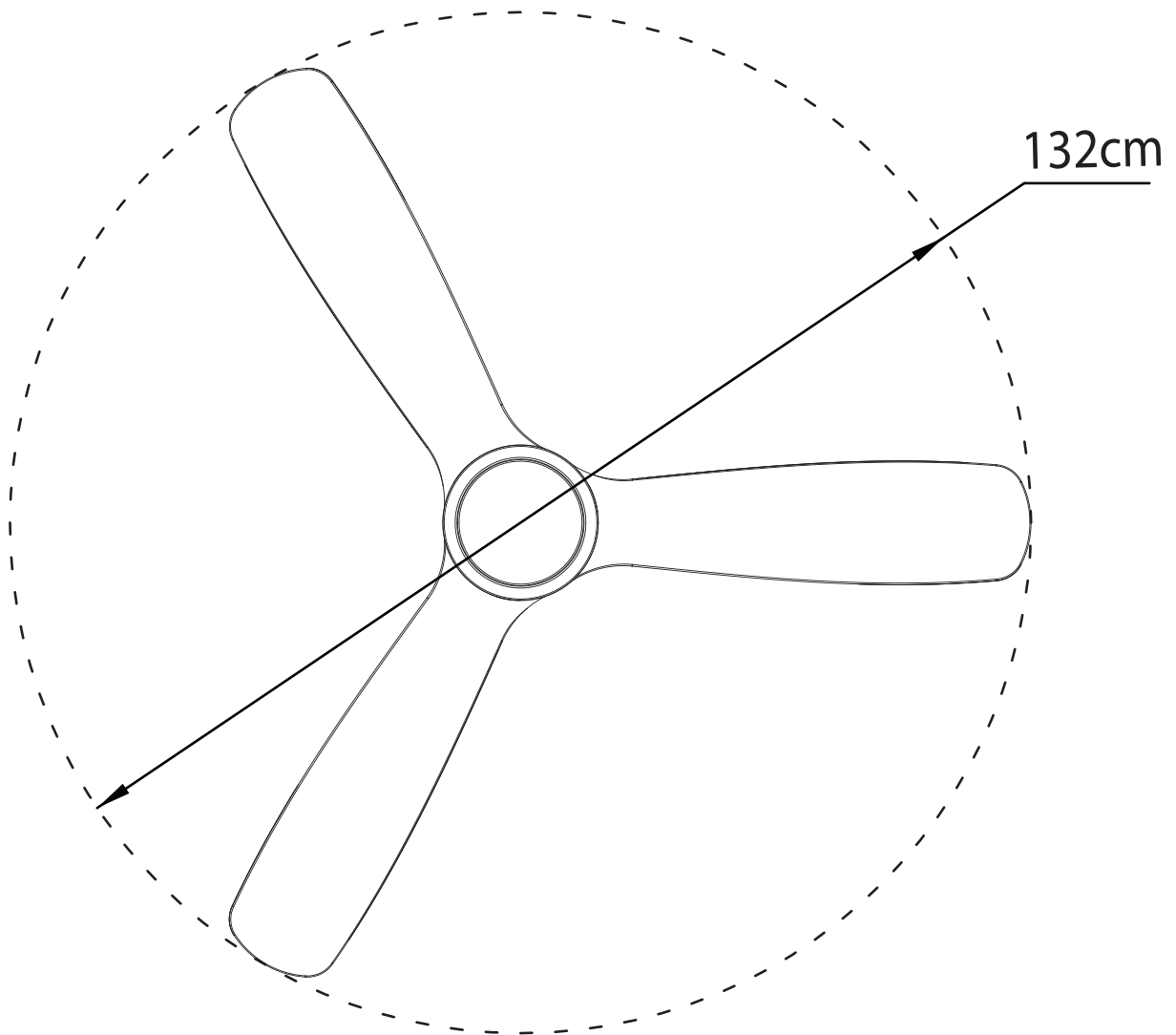
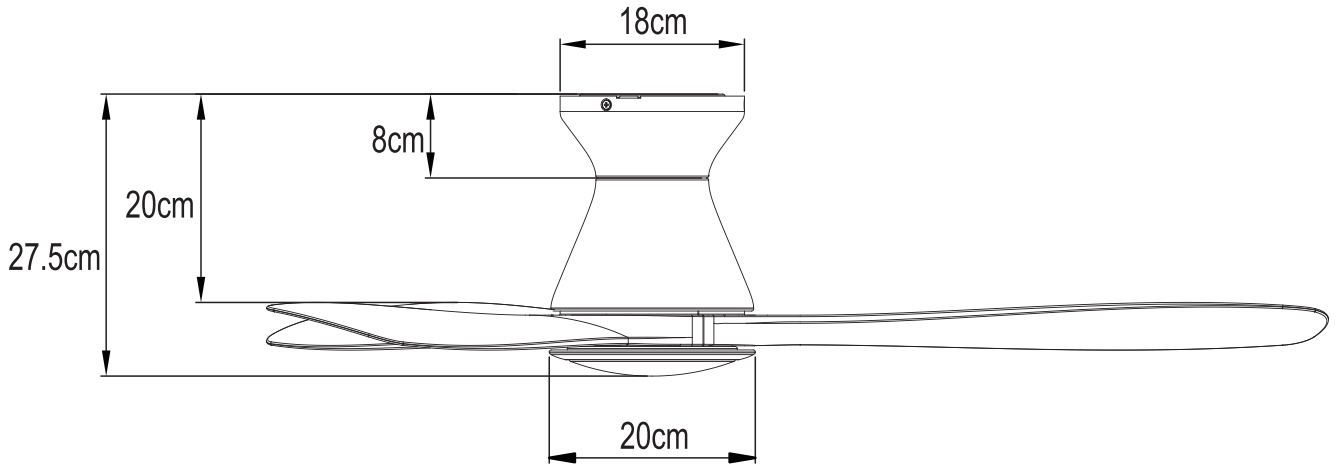
6. La charge maximale de l'éclairage est indiquée dans la "LISTE DES PARAMÈTRES DE PUISSANCE" ci-dessus.

PS : veuillez connecter correctement le fil de terre, sinon la lumière risque de s'éteindre ou de clignoter.

7. Lors de l'installation du ventilateur, le couvercle du plafond du ventilateur ne doit pas appuyer sur l'antenne (ou autre fil), il est facile de briser le fil et de provoquer un court-circuit.

VERTISSEMENT : COUPER L'ALIMENTATION AU FUSIBLE OU AU DISJONCTEUR

TAILLE DU PRODUIT



GUIDE DE DÉPANNAGE

1. VENTILATEUR / LA TÉLÉCOMMANDE NE FONCTIONNE PAS

Assurez-vous que la télécommande se trouve dans le rayon d'action de 20 pieds du récepteur.
Pour réinitialiser la télécommande : 1) Coupez l'alimentation du ventilateur à l'aide de l'interrupteur mural ou du disjoncteur. 2) Retirez les piles de la télécommande. 3) Attendez 10 secondes. 4) Remettez les piles en place et mettez l'appareil sous tension.
Vérifiez que les piles sont en bon état et correctement orientées.
Vérifiez que les commutateurs de fréquence (commutateurs DIP) de la télécommande et du récepteur sont réglés sur la même fréquence.
Vérifiez les fusibles ou les disjoncteurs du circuit principal et des circuits de dérivation.
Si vous utilisez un interrupteur mural à vitesse variable, assurez-vous qu'il est spécifiquement conçu pour être utilisé avec un ventilateur de plafond.
Vérifiez les connexions des fils de ligne au ventilateur et les connexions des fils de l'interrupteur dans le boîtier de l'interrupteur conformément aux instructions.
Si le ventilateur ne fonctionne toujours pas, veuillez contacter le service clientèle

2. LE VENTILATEUR EST BRUYANT

Vérifier que toutes les vis du boîtier du moteur sont bien serrées.
Assurez-vous que les vis qui fixent les pales du ventilateur au moteur sont bien serrées.
Assurez-vous que les connecteurs des écrous à fils ne s'entrechoquent pas ou ne heurtent pas la paroi intérieure du boîtier de l'interrupteur.
Prévoyez une période de rodage de 24 heures. La plupart des bruits associés au nouveau ventilateur peuvent disparaître pendant cette période.
En cas d'utilisation d'un kit de plafonnier, s'assurer que la verrerie est bien fixée.
Veillez à ce qu'il y ait une courte distance entre le plafond et le haut de l'auvent. L'auvent ne doit pas toucher le plafond !
Assurez-vous que votre boîte de plafond est bien fixée et que les tampons isolants en caoutchouc sont utilisés entre le support de montage et la boîte de sortie.

3. LE VENTILATEUR OSCILLE

Vérifiez que toutes les pales et les vis de fixation des pales sont bien fixées (la plupart des problèmes d'oscillation du ventilateur sont dus à des pièces desserrées). Une fois le ventilateur correctement installé, faites fonctionner le ventilateur de plafond pendant 10 minutes pour qu'il s'ajuste de lui-même.
Si le ventilateur oscille encore après 10 minutes de fonctionnement, vérifiez le niveau des pales en procédant comme suit : a) choisissez un point au plafond au-dessus de l'extrémité de l'une des pales. Sélectionnez ensuite la pale du ventilateur et mesurez à partir du centre de la pale sélectionnée jusqu'au point du plafond. Faites tourner le ventilateur jusqu'à ce que la pale suivante soit positionnée et répétez la mesure en utilisant le même point du plafond pour chaque pale. Les mesures doivent se situer à 1/8 de pouce près. b) Si tous les écarts sont inférieurs à 1/8 de pouce et que le ventilateur continue à osciller, veuillez contacter le service clientèle pour commander un kit d'équilibrage des pales gratuit.
-Si tous les écarts sont inférieurs à 1/8 de pouce et que le ventilateur continue à osciller, veuillez contacter le service clientèle pour commander un kit gratuit d'équilibrage des pales.

4. LA LUMIÈRE NE FONCTIONNE PAS

Connexions électriques desserrées.
Coupez l'électricité du circuit de dérivation au niveau de la boîte à fusibles ou du panneau de disjoncteurs et vérifiez que les connecteurs électriques de l'ensemble du luminaire à DEL sont correctement installés.
Pour réinitialiser la télécommande : 1) Couper l'alimentation du ventilateur à l'aide de l'interrupteur mural ou du disjoncteur. 2) Retirez les piles de la télécommande. 3) Attendez 10 secondes. 4) Remplacez les piles et remettez l'appareil sous tension

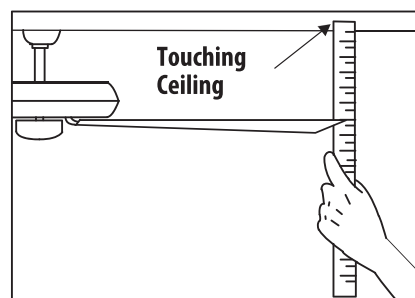
APRÈS L'INSTALLATION**Oscillation**

Les pales du ventilateur ont été réglées en usine pour minimiser les oscillations.

Remarque: les ventilateurs de plafond ont tendance à bouger pendant leur fonctionnement, car ils sont montés sur un œillet en caoutchouc. Si le ventilateur était monté de manière rigide au plafond, il provoquerait des vibrations excessives. Un mouvement de quelques centimètres est tout à fait acceptable et ne pose aucun problème pour réduire l'oscillation du ventilateur : Veuillez vérifier que toutes les vis qui fixent le support de montage et la tige de descente sont bien serrées.

Équilibrer un ventilateur de plafond qui oscille :

1. Vérifiez que toutes les vis des pales et du bras de pale sont bien fixées.
2. La plupart des problèmes d'oscillation des ventilateurs sont causés lorsque les niveaux des pales sont inégaux. Vérifiez ce niveau en choisissant un point au plafond au-dessus de la pointe de l'une des lames. Mesurez cette distance. Faites pivoter le ventilateur jusqu'à ce que la pale suivante soit positionnée pour la mesure. Répétez l'opération pour chaque lame. L'écart de distance doit être égal à 1/8 (0,32 cm).
3. Si l'oscillation de la lame est toujours perceptible, l'interchangement de deux lames adjacentes (côte à côte) peut redistribuer le poids et éventuellement permettre un fonctionnement plus régulier.



Avertissement : Pour réduire les risques de blessures, ne pliez pas le bras de pale lors de l'installation, de l'équilibrage des pales ou du nettoyage du ventilateur. N'insérez pas d'objets étrangers entre les pales du ventilateur en rotation.

Bruit

Par temps calme (en particulier la nuit), vous pouvez entendre de petits bruits occasionnels. C'est normal.

Prévoyez une période de rodage de 24 heures. La plupart des bruits associés à un nouveau ventilateur disparaissent pendant cette période.

Entretien et nettoyage

1. Le nettoyage périodique de votre ventilateur de plafond est le seul entretien nécessaire. Utilisez une brosse douce ou un chiffon non pelucheux pour éviter de rayer la peinture. Veillez à éteindre l'électricité avant de nettoyer votre ventilateur.
2. N'utilisez pas d'eau pour nettoyer votre ventilateur de plafond. Cela pourrait endommager le moteur ou les pales et créer un risque d'électrocution.
3. Le moteur est équipé d'un roulement à billes lubrifié en permanence. Il n'est pas nécessaire de l'huiler.

Remarque: Assurez-vous que le courant est coupé au niveau du panneau électrique avant de procéder à tout nettoyage ou réparation.