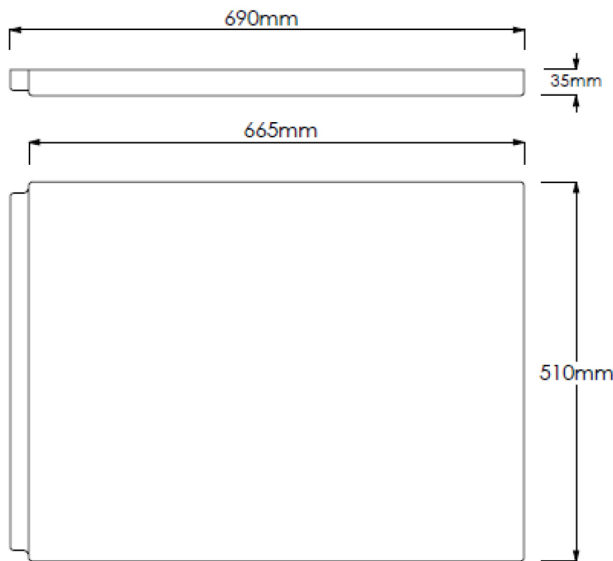


CUSTOMER DATA SHEET - BATHS

DESCRIPTION: Straight Bath End Panel 700 X510x25mm



PRODUCT DIMENSIONS

Length (mm)	Width (mm)	Depth (mm)	Nett Wgt Kg
700	510	35	0.06

PACKAGING DIMENSIONS

Length (mm)	Width (mm)	Depth (mm)	Gross Wgt Kg
700	510	30	0.06

PACKAGING DATA

Box Colour	Polybagged With End Caps		
Box Qty	1	Label Colour	White Label
Label Size	100 X 50	Label Qty	1

OUTER BOX DIMENSIONS (If Applicable)

Length (mm)	Width (mm)	Height (mm)	Gross Wgt Kg

PRODUCT DETAILS

Country of Origin	United Kingdom	Certification	FSC	N/A	CE	N/A
Fitting Instruction	Yes	Material Colour Ref'	European White			
Product Material	Acrylic	Material Thickness	2mm			
Volume (Ltr)	N/A	Displaced Capacity	N/A			
Leg Set Inc'	Not Applicable	Waste Inc'	Not Applicable			
Drilled/Undrilled	Not Applicable	Includes Grips	Not Applicable			
Embossed	No	No of Tapholes	Not Applicable			
Anti-Slip	Not Applicable					