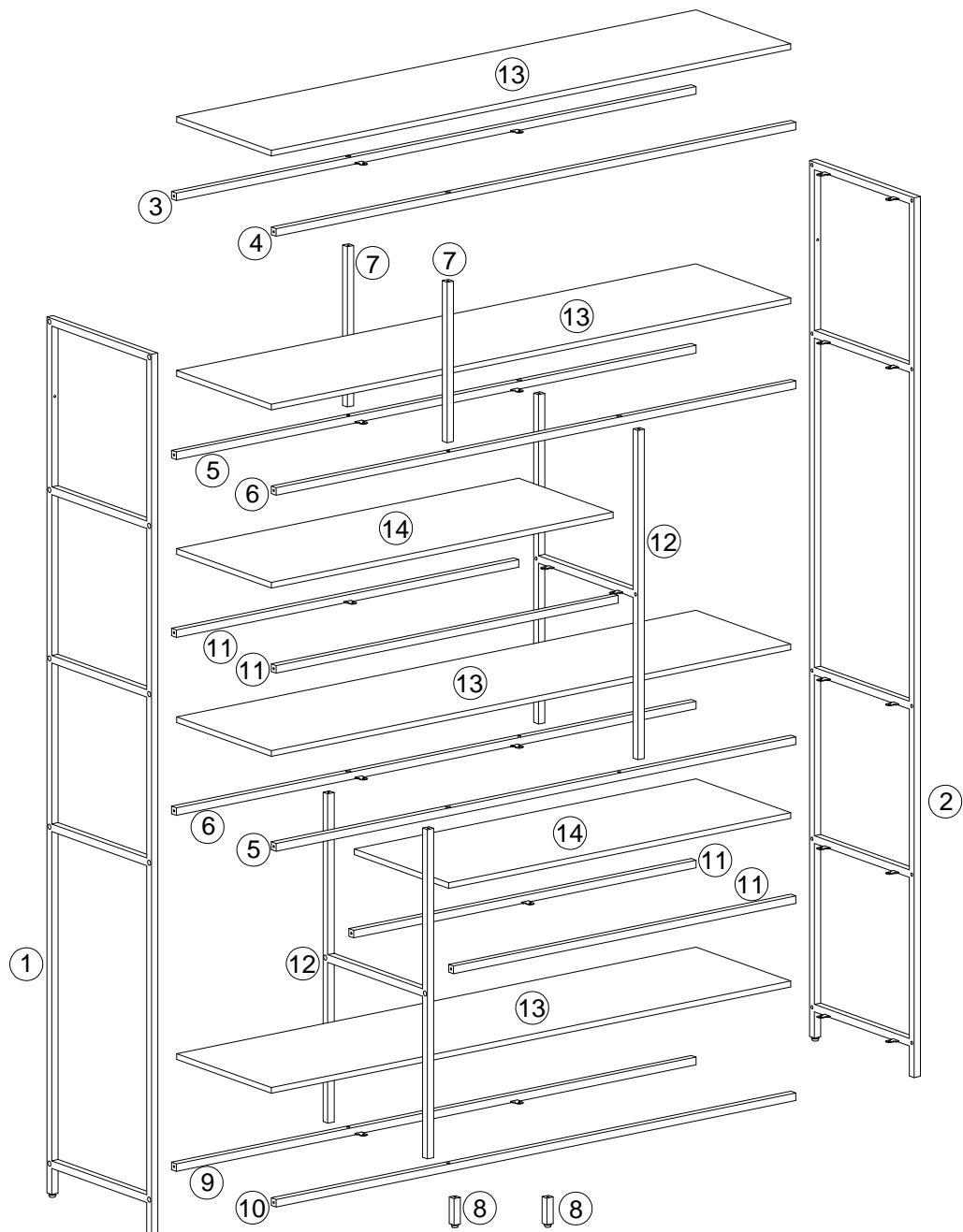
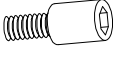
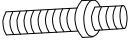
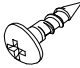



25/05/2021



			✓
①	1	1850x350x42/16	
②	1	1850x350x42/16	
③	1	1318x42/16x16	
④	1	1318x42/16x16	
⑤	2	1318x42/16x16	
⑥	2	1318x42/16x16	
⑦	2	337x16x16	

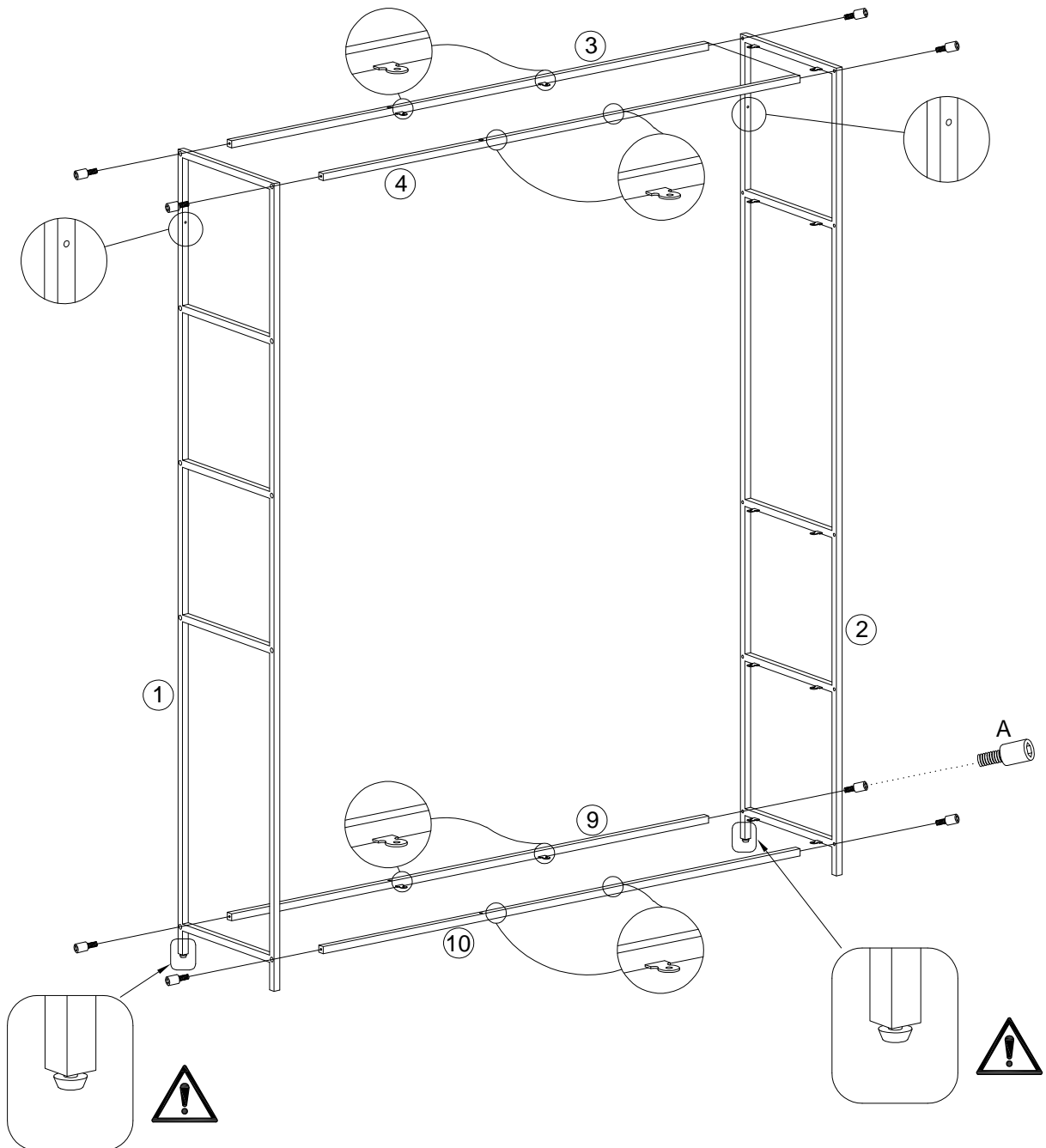
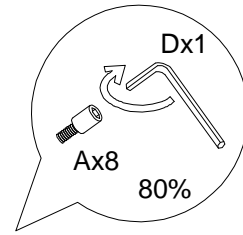
			✓
⑧	2	61x16x16	
⑨	1	1318x42/16x16	
⑩	1	1318x42/16x16	
⑪	4	868x42/16x16	
⑫	2	692x350x42/16	
⑬	4	1316x316x12	
⑭	2	866x316x12	






<p>A x 34</p>  <p>M6 x 15 mm</p>	<p>B x 2</p>  <p>M6 x 55 mm</p>	<p>C x 44</p>  <p>Ø4 x 12mm</p>	<p>D x 1</p>  <p>4 mm</p>
---	--	--	--

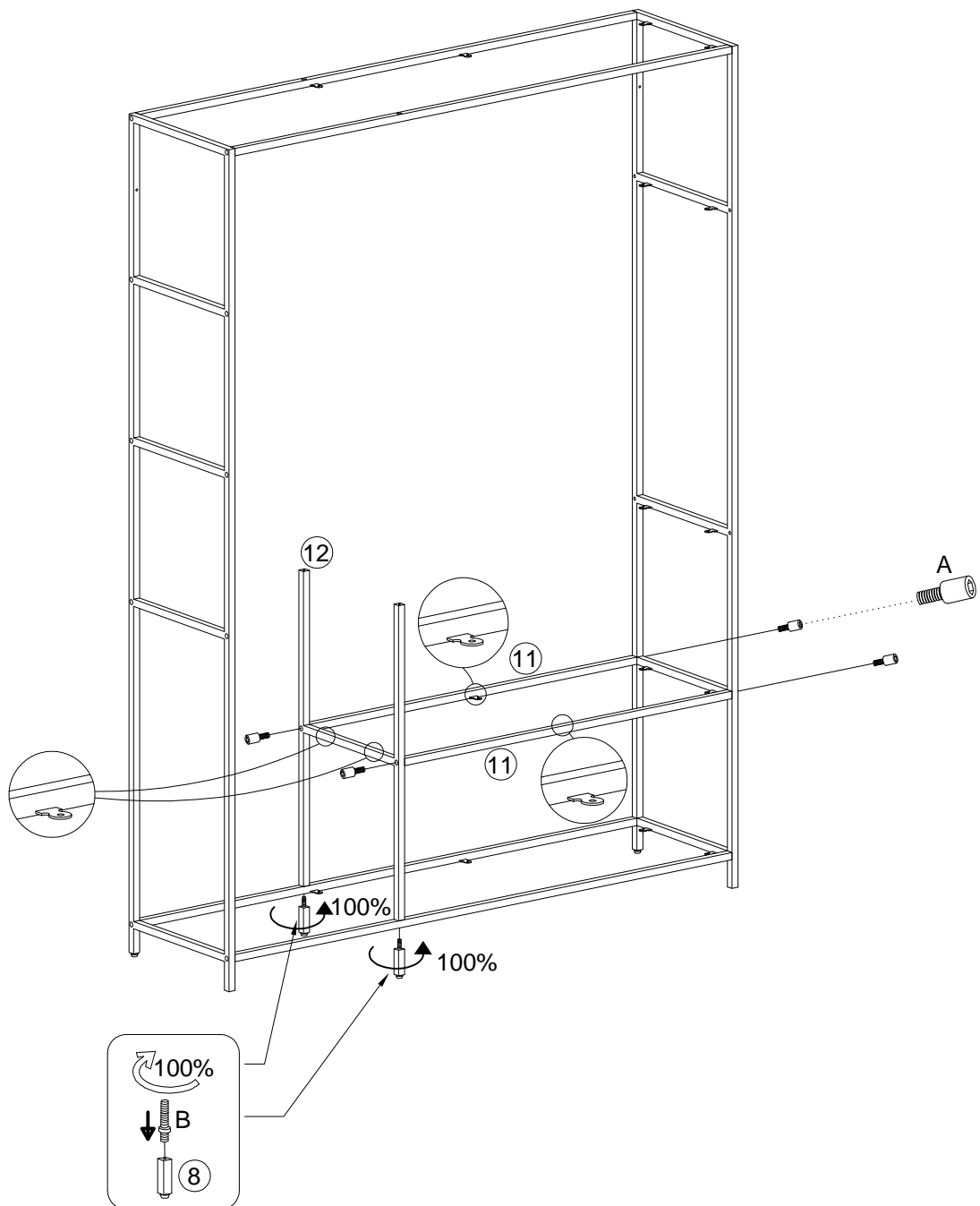
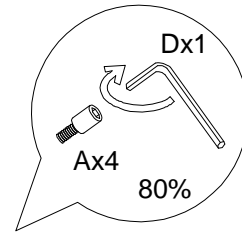
# 1

A x 8  M6 x 15 mm	D x 1  4 mm
--	--





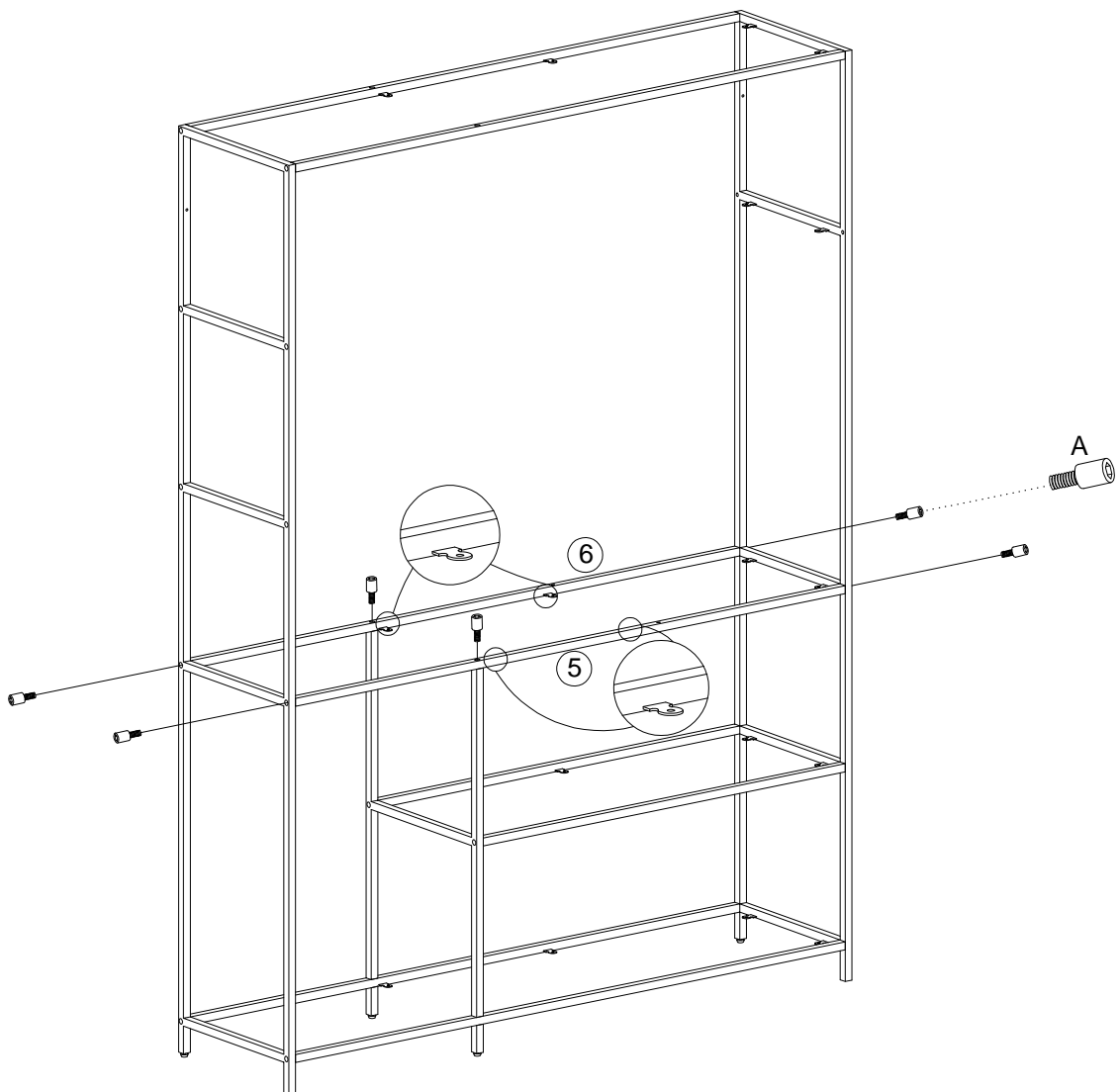
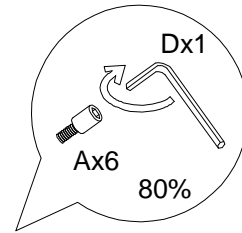
# 2

A x 4	B x 2	D x 1
		
M6 x 15 mm	M6 x 55 mm	4 mm





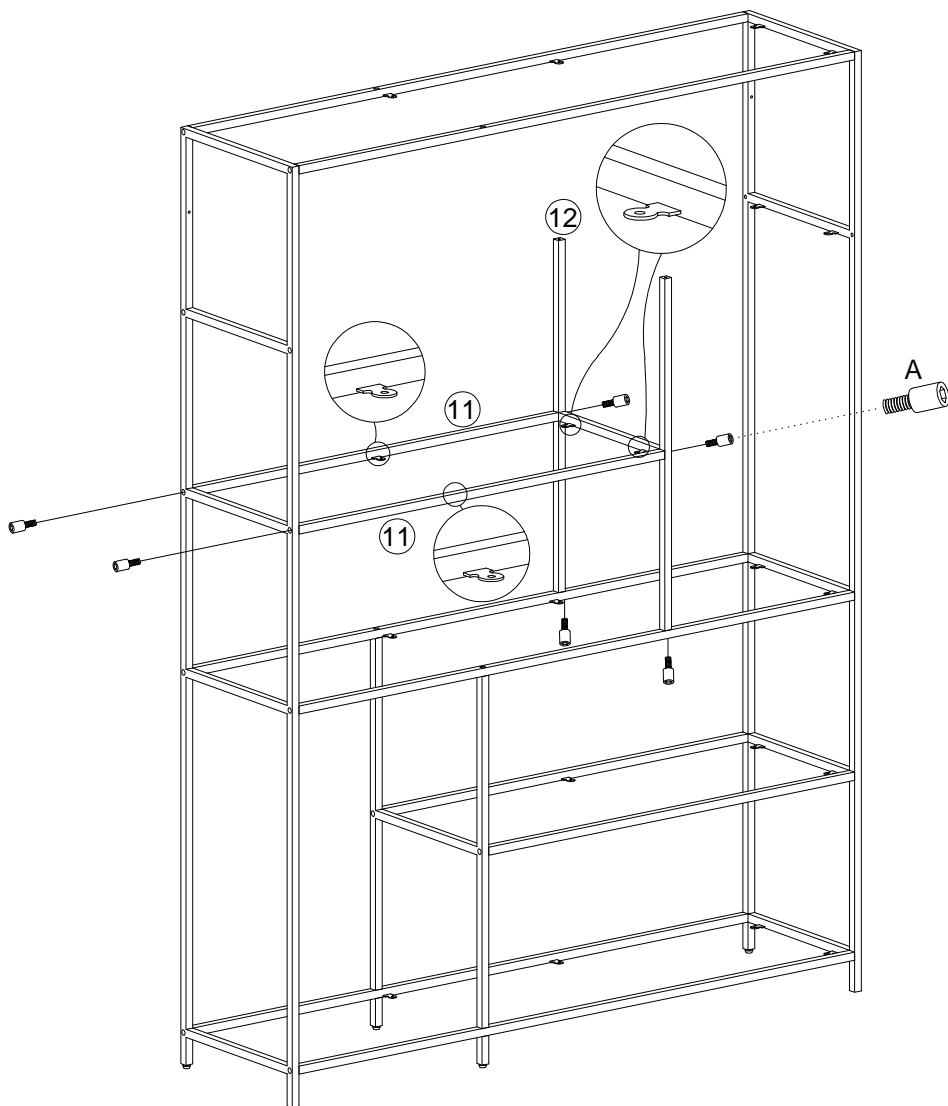
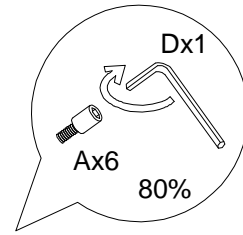
# 3

A x 6	D x 1
	
M6 x 15 mm	4 mm





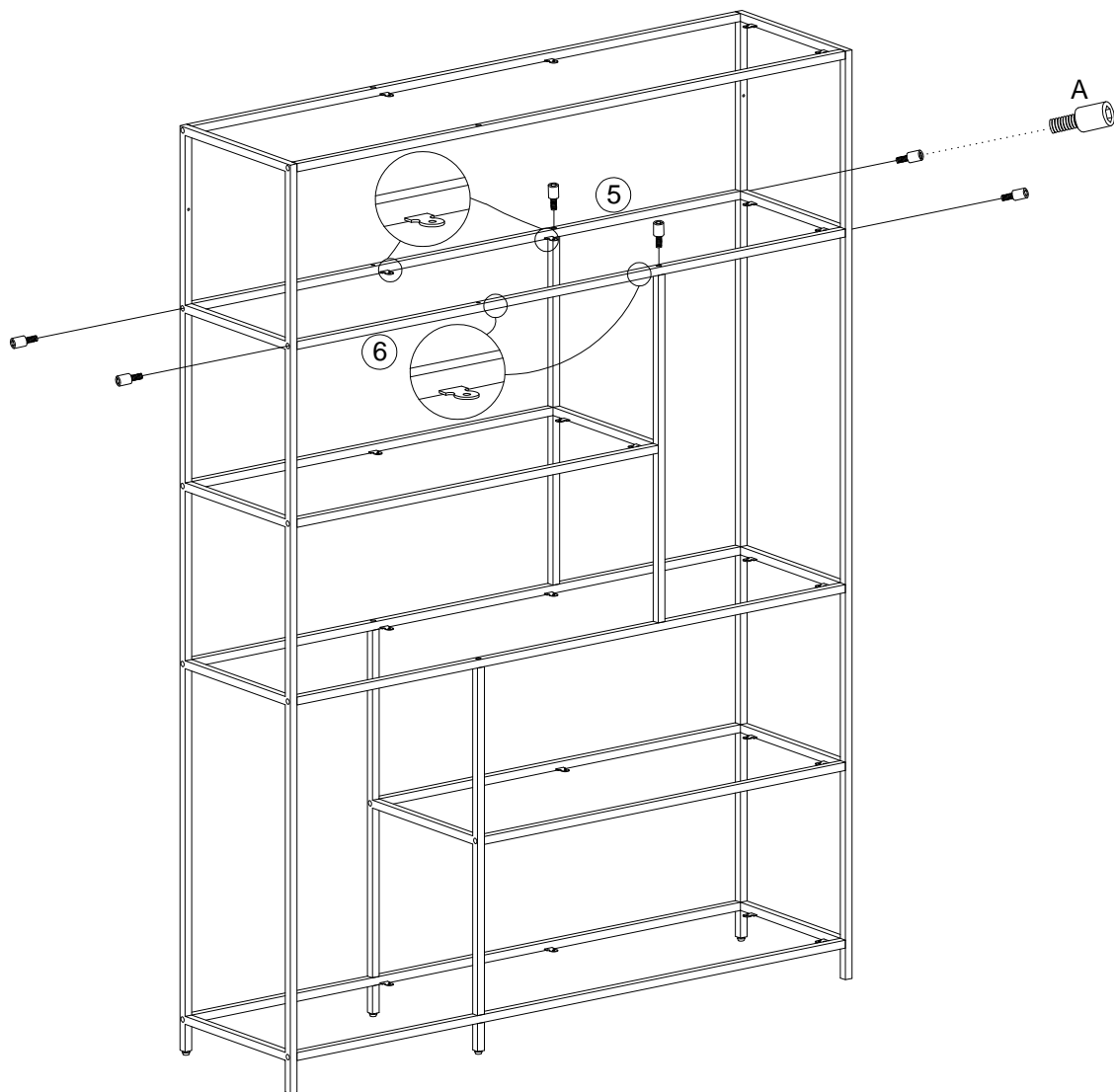
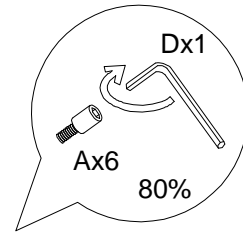
# 4

A x 6	D x 1
	
M6 x 15 mm	4 mm





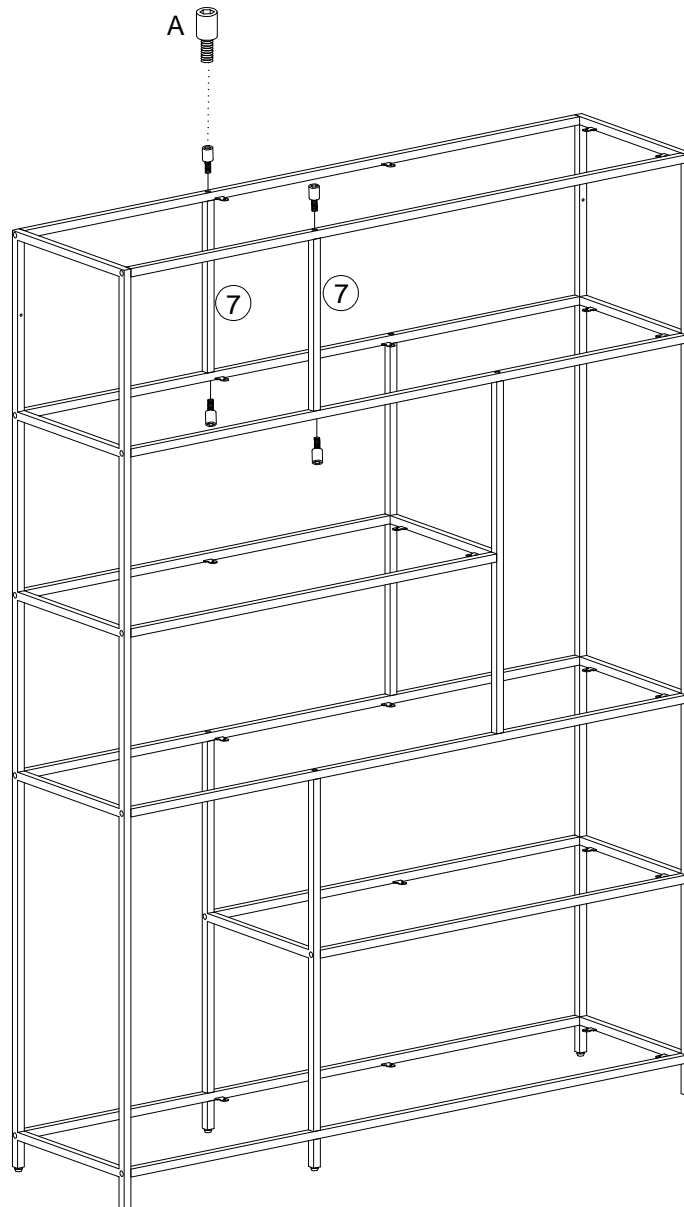
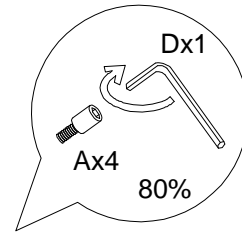
# 5

A x 6	D x 1
	
M6 x 15 mm	4 mm





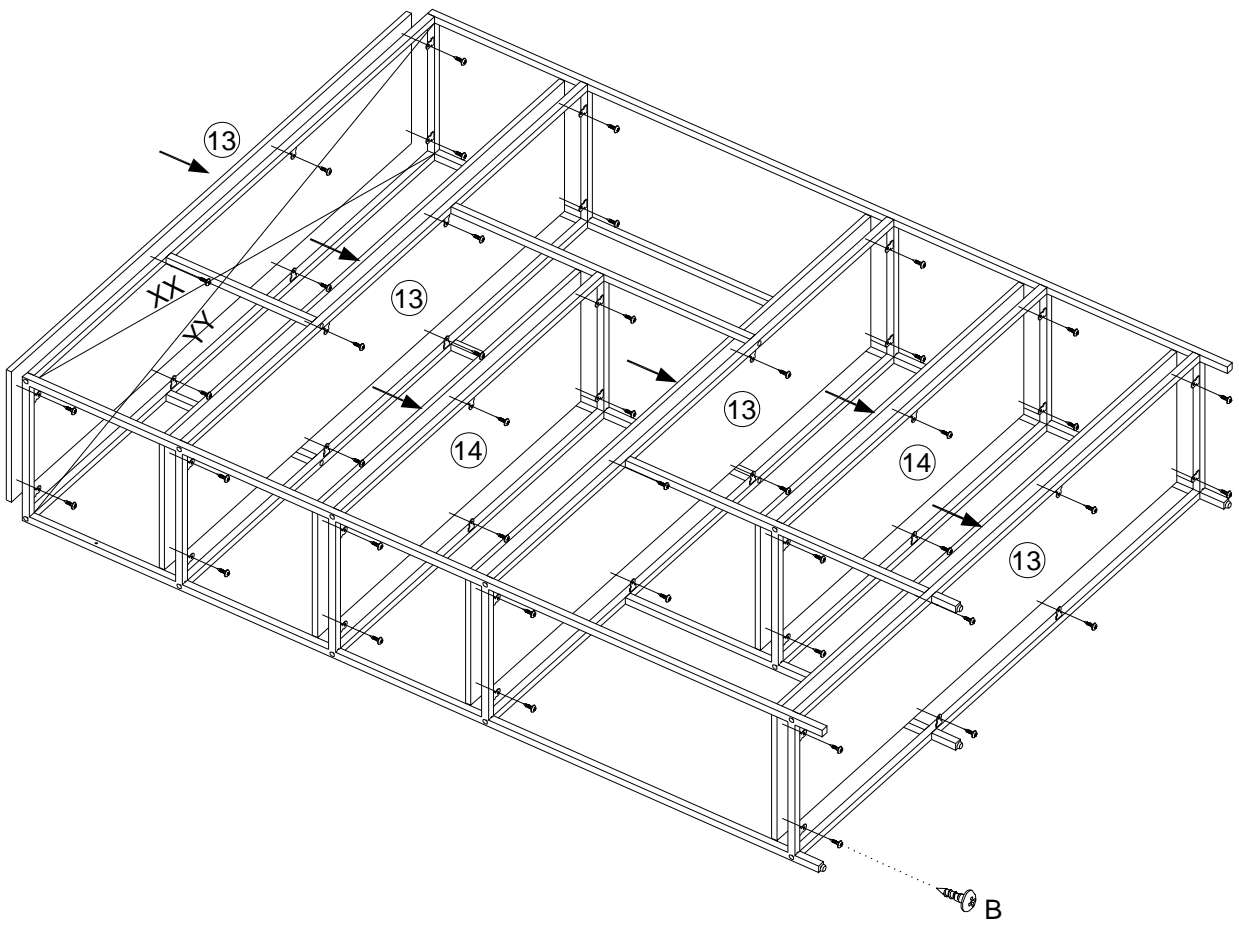
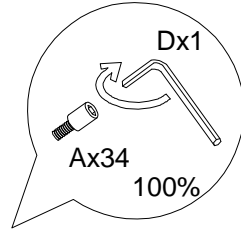
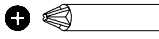
# 6

A x 4	D x 1
	
M6 x 15 mm	4 mm

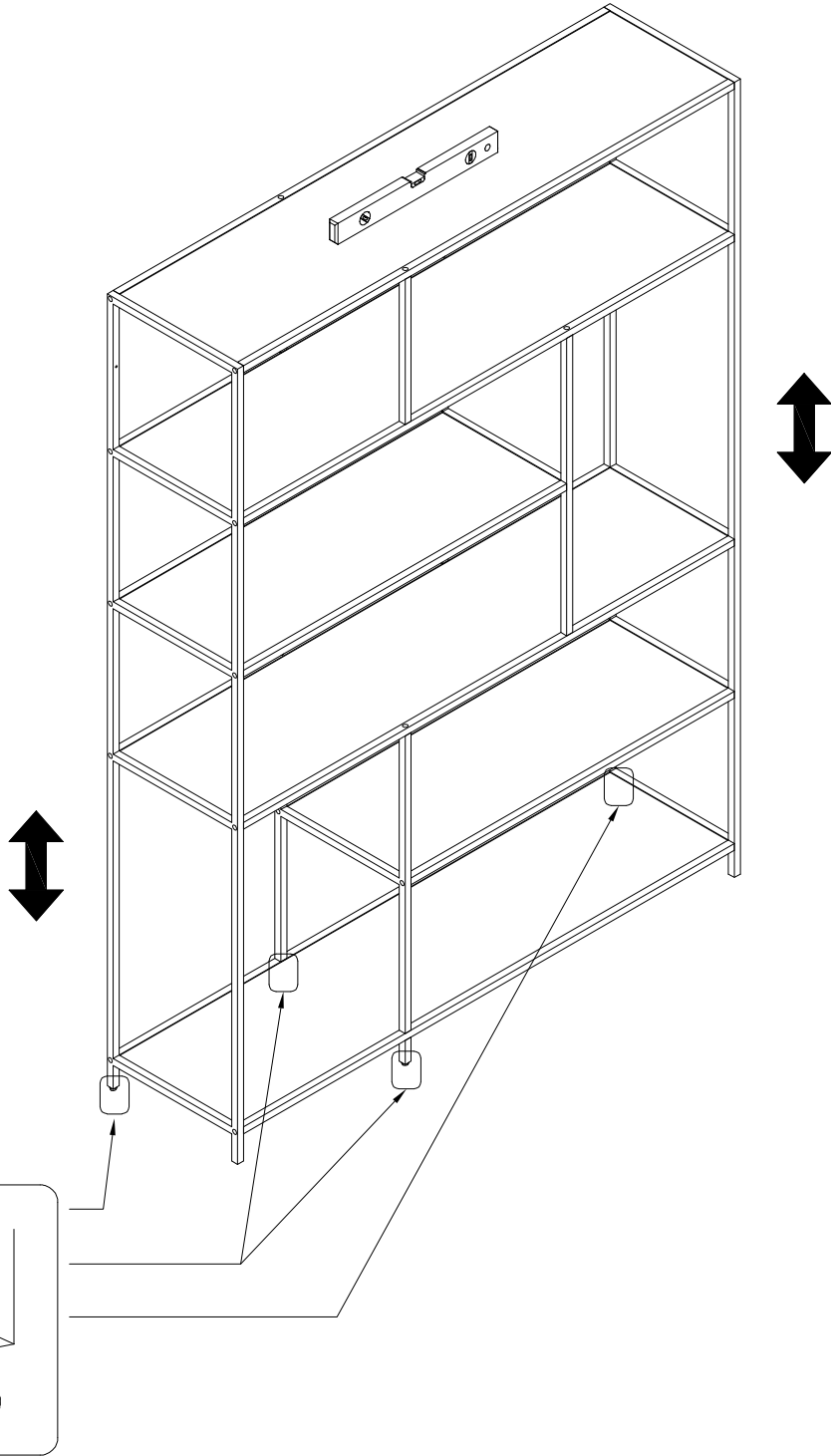
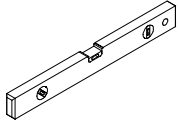


# 7

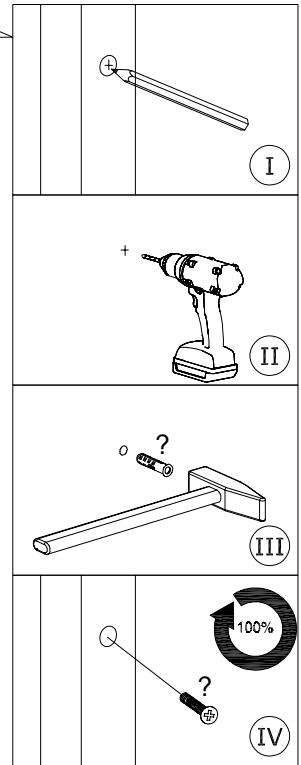
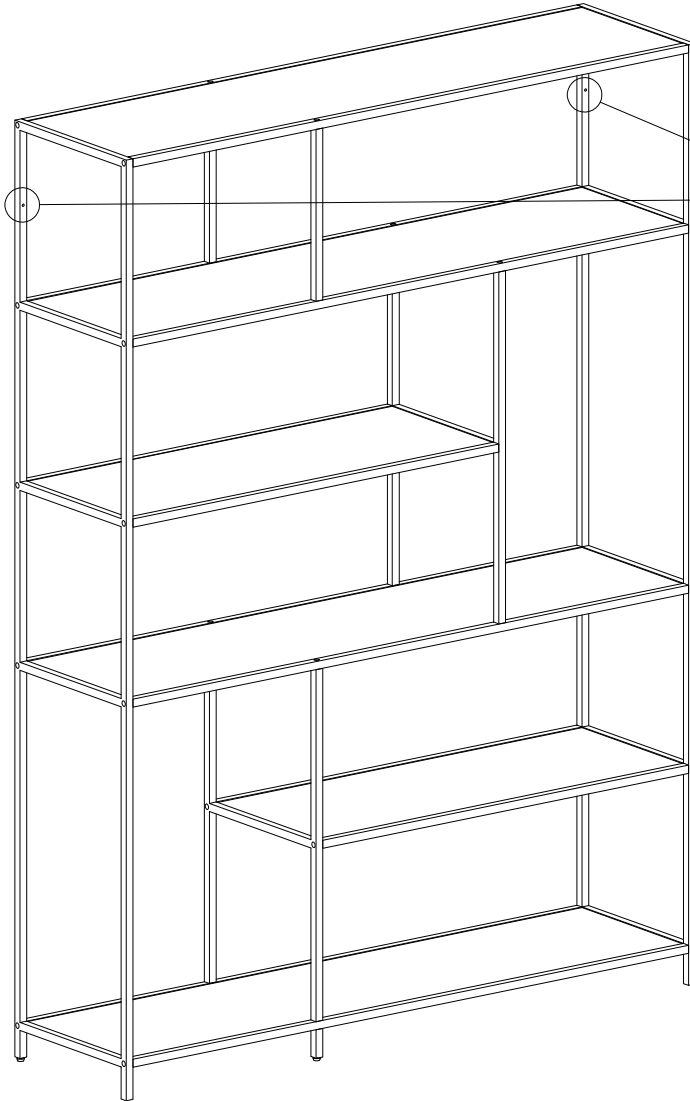
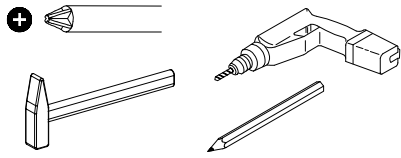
B x 44	D x 1
	
Ø4 x 12mm	4 mm



8



# 9



# 10

