

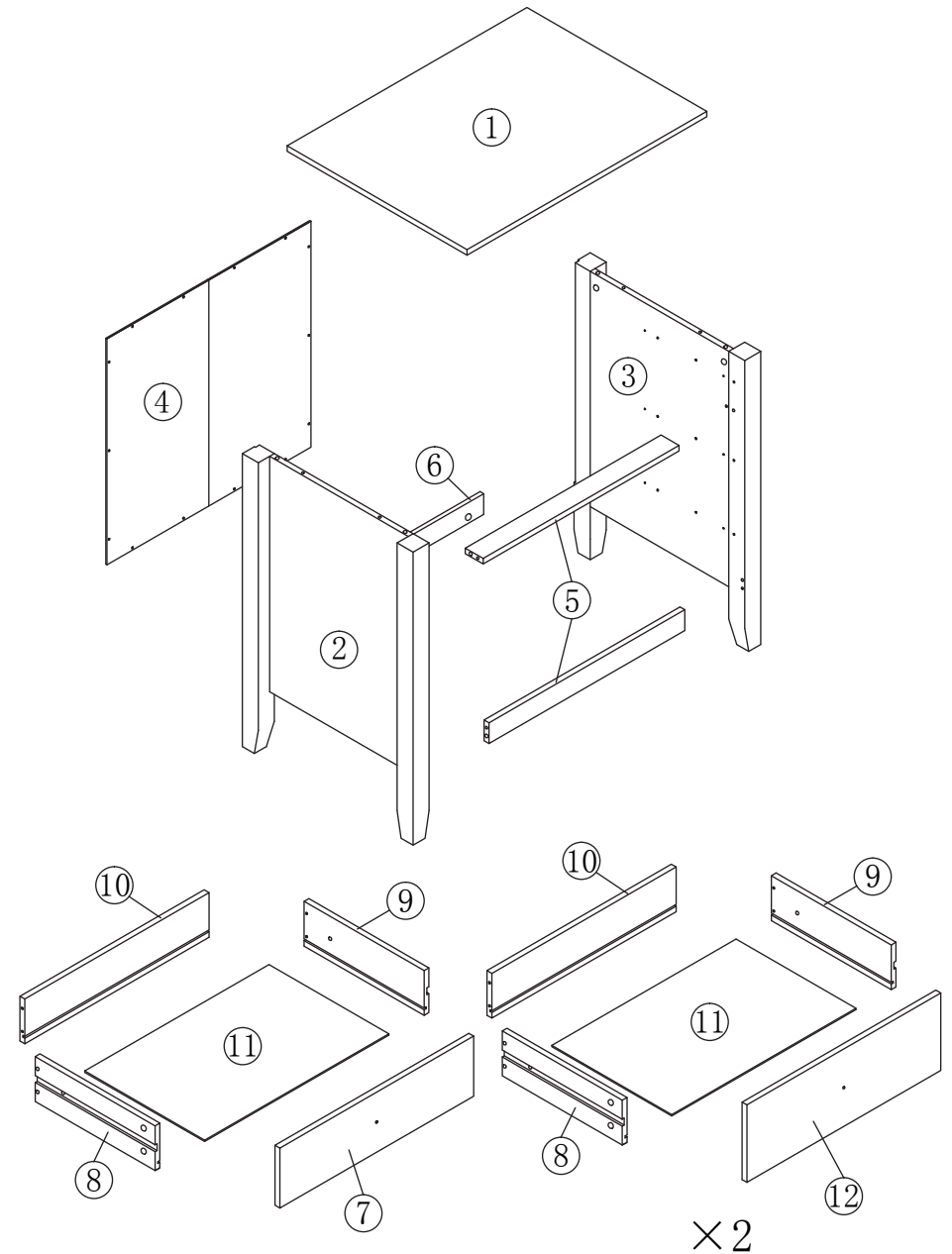
**USER'S MANUAL**  
**Drawer**

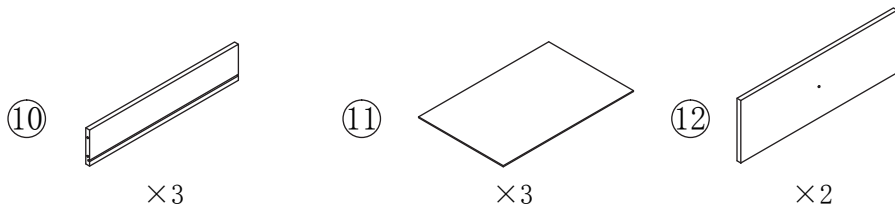
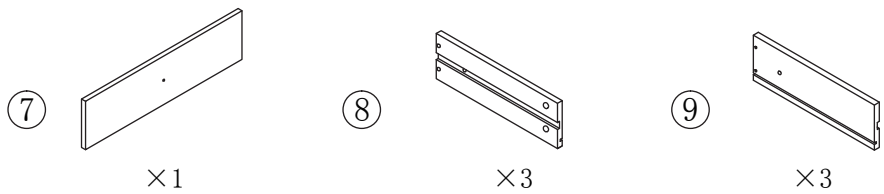
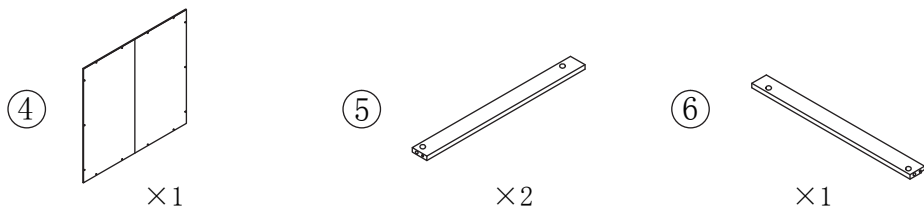
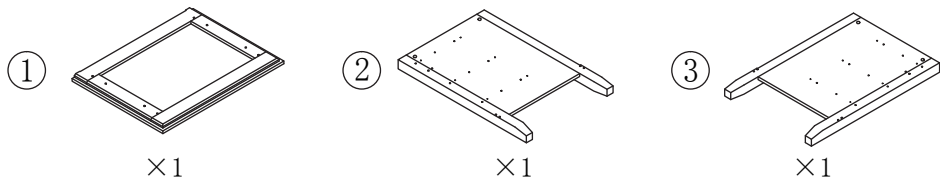
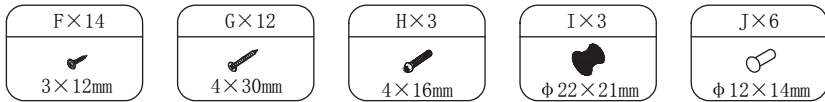
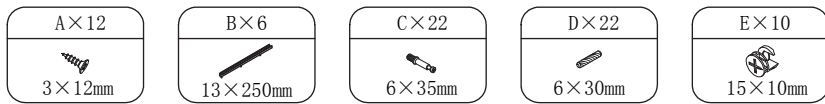
THIS INSTRUCTION BOOKLET CONTAINS **IMPORTANT** SAFETY INFORMATION. PLEASE READ AND KEEP FOR FUTURE REFERENCE.

---

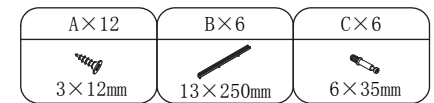
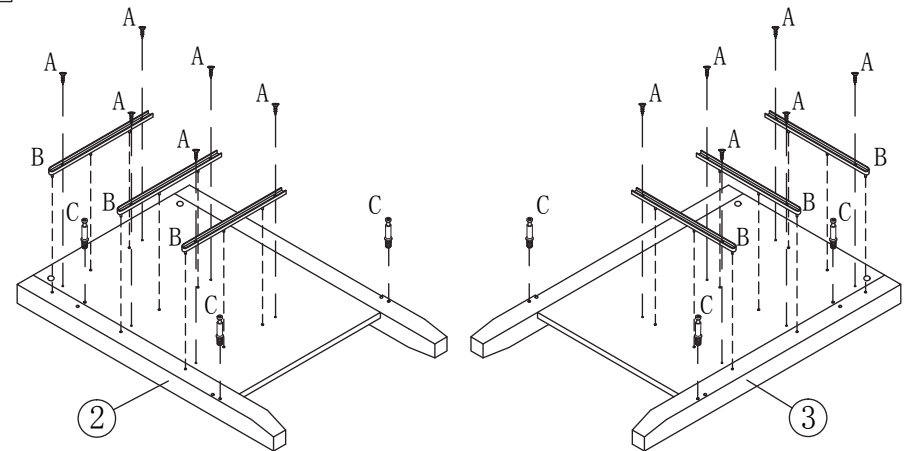
## Before You Start

- ⦿ Please read all instructions carefully.
- ⦿ Retain instructions for future reference.
- ⦿ Separate and count all parts and hardware.
- ⦿ Read through each step carefully and follow the proper order.
- ⦿ We recommend that, where possible, all items are assembled near to the area in which they will be placed in use, to avoid moving the product unnecessarily once assembled.
- ⦿ Always place the product on a flat, steady and stable surface.
- ⦿ Caution: Read the warnings carefully. Avoid kids get touch of small parts or plastic bag.

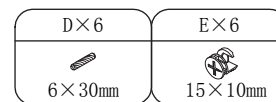
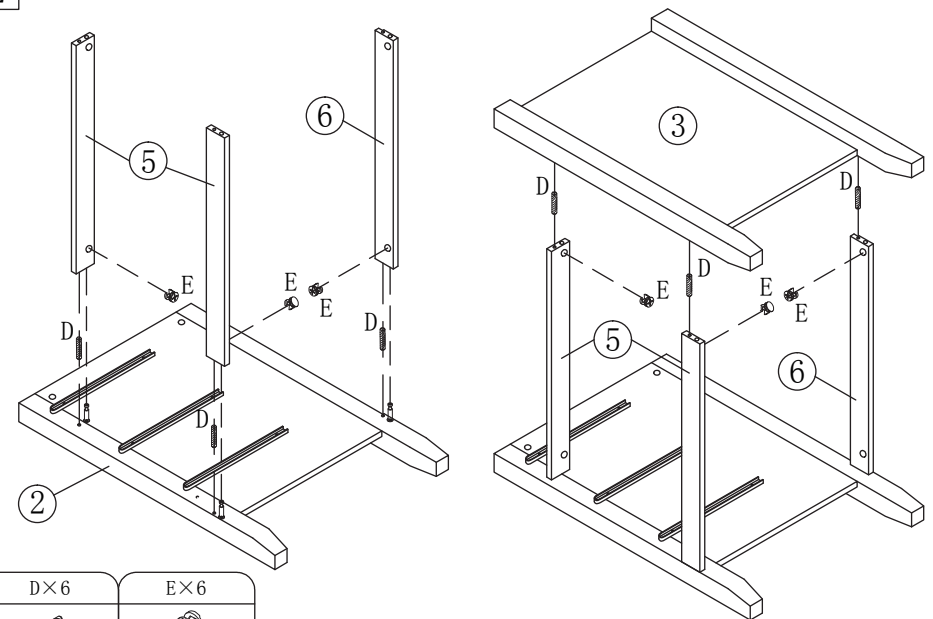




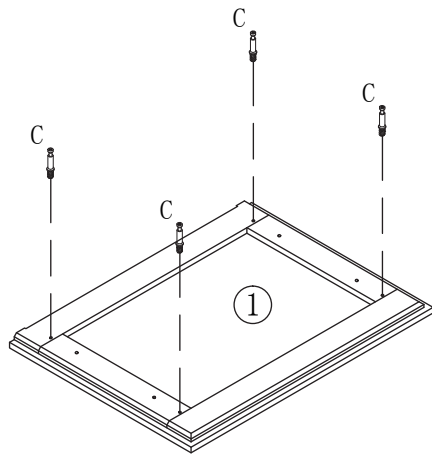
1




2

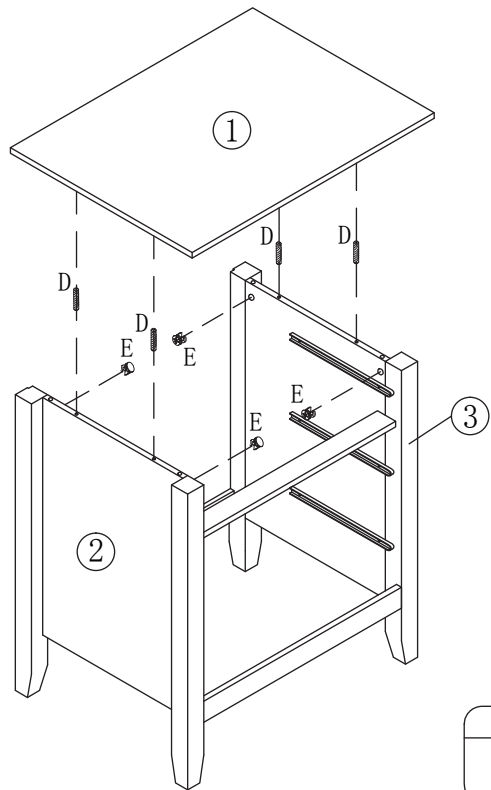



3




C×4  
  
 6×35mm

4

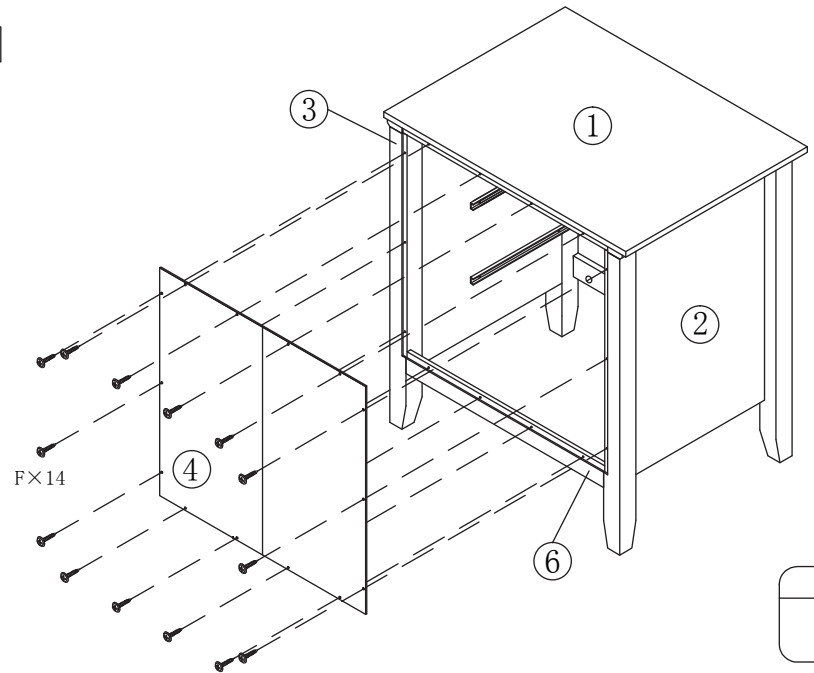



D×4  
  
 6×30mm

E×4  
  
 15×10mm

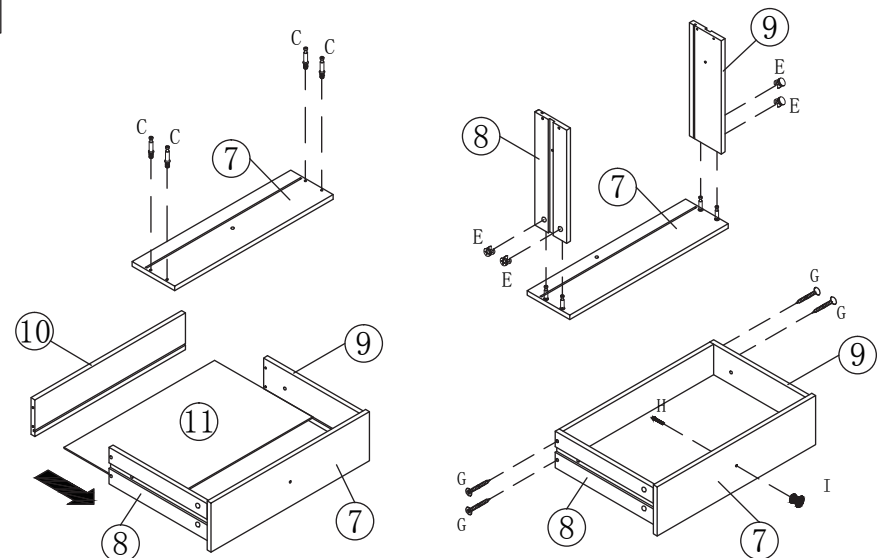
6


5





F×14  
  
 3×12mm


6




C×4  
  
 6×35mm

E×4  
  
 15×10mm

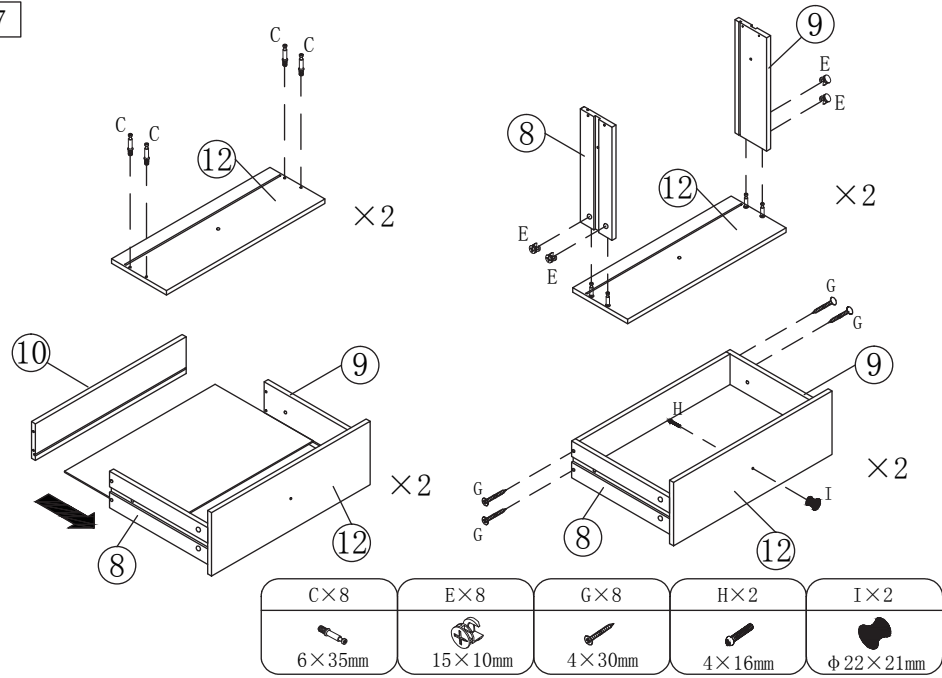
G×4  
  
 4×30mm

H×1  
  
 4×16mm

I×1  
  
 φ 22×21mm

7

7



8

