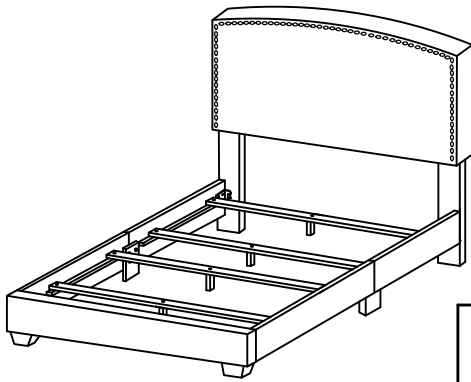


ASSEMBLY INSTRUCTIONS



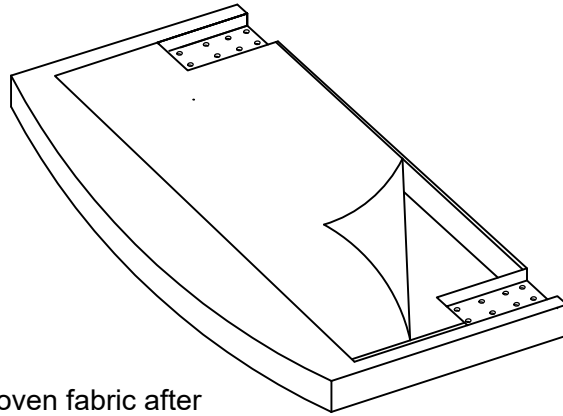
COMPONENT

Headboard - 1 pc ①	Footboard - 1 pc ②	Side Rail - 4 pcs ③	Bed Slats - 4 pcs ④	SR Suppt Leg - 2 pcs ⑤	Headboard Leg (Right) - 1 pcs ⑥R
Headboard Leg (Left) - 1 pcs ⑥L	Center Leg - 4 pcs ⑦	Bed Leg - 2 pc ⑧	JCBC Bolt M6x40mm - 2 pcs ⑧		

HARDWARE

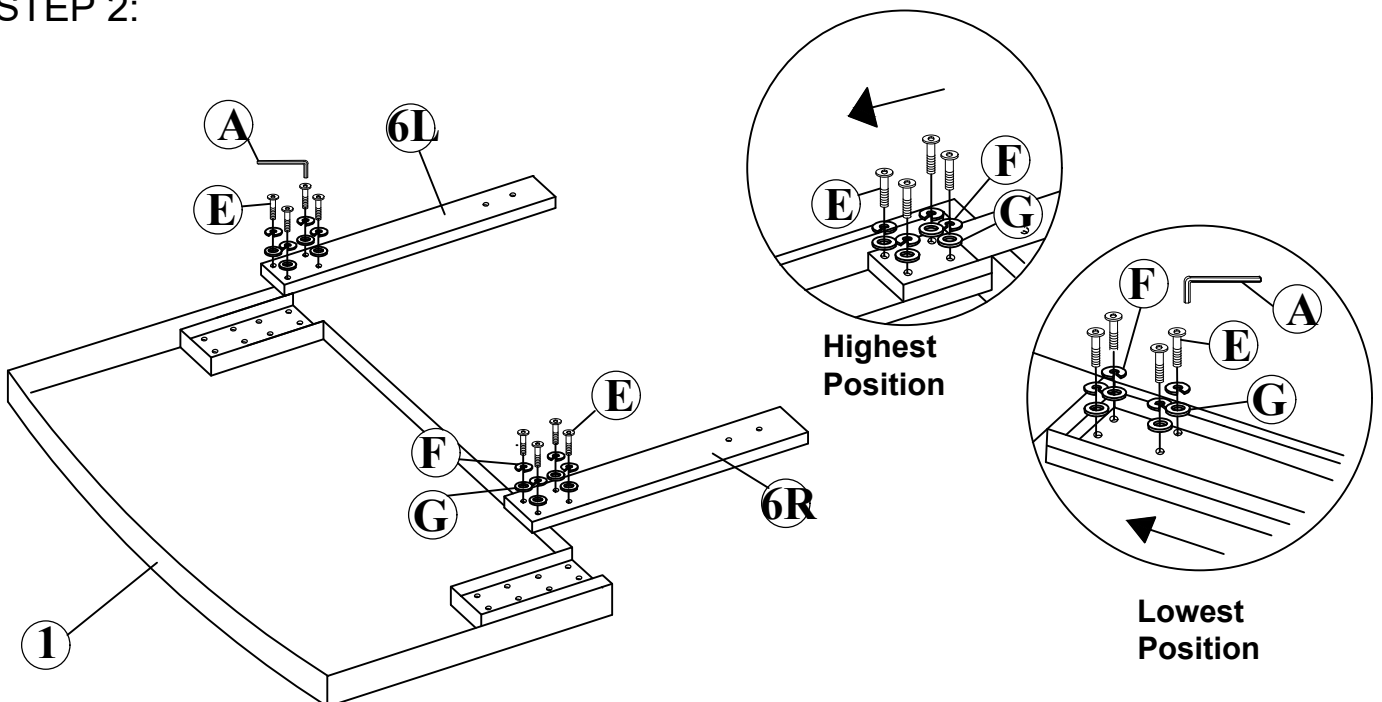
Allen Key M4 Long - 1 pc ①	Allen Key M5 - 1pc ②	Wood Screw M4x25mm - 8 pcs ③	JCBC Bolt M6x30mm - 12 pcs ④	JCBC Bolt M6x45mm - 8 pcs ⑤	M6 Spring Washer - 8 pcs. ⑥	M6 Washer - 20 pcs. ⑦
---	--------------------------------	---	---	--	--	---------------------------------

STEP 1:



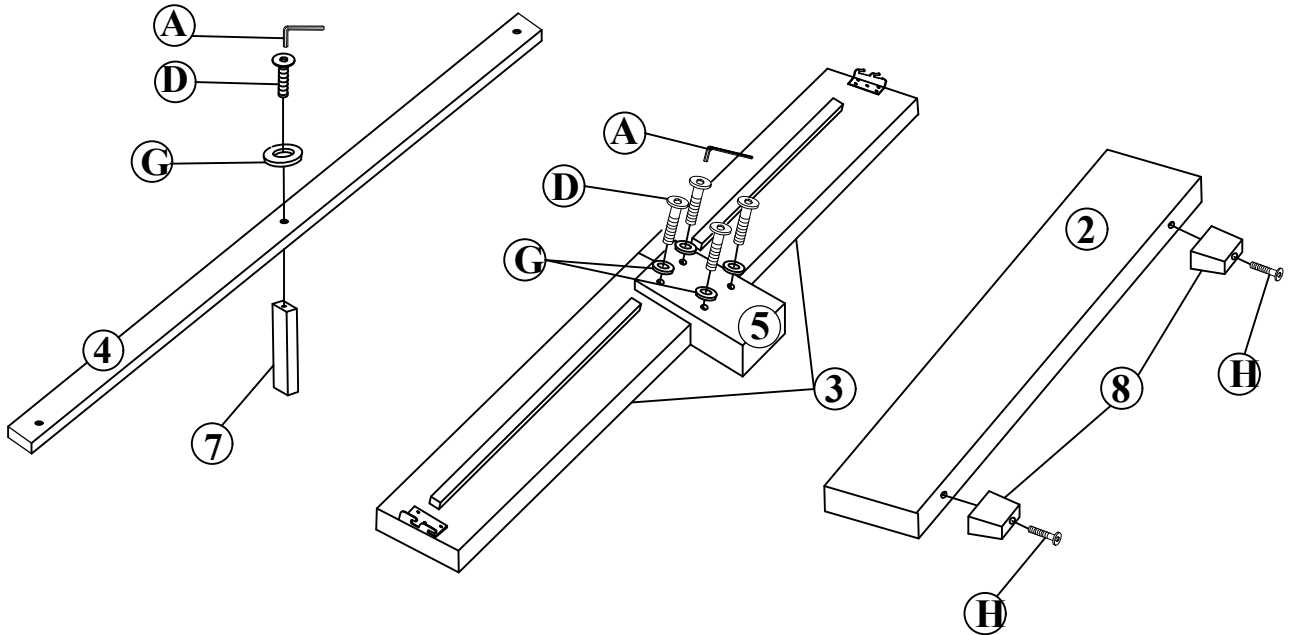
ATTENTION : Zip the black non-woven fabric after take out the part .

STEP 2:

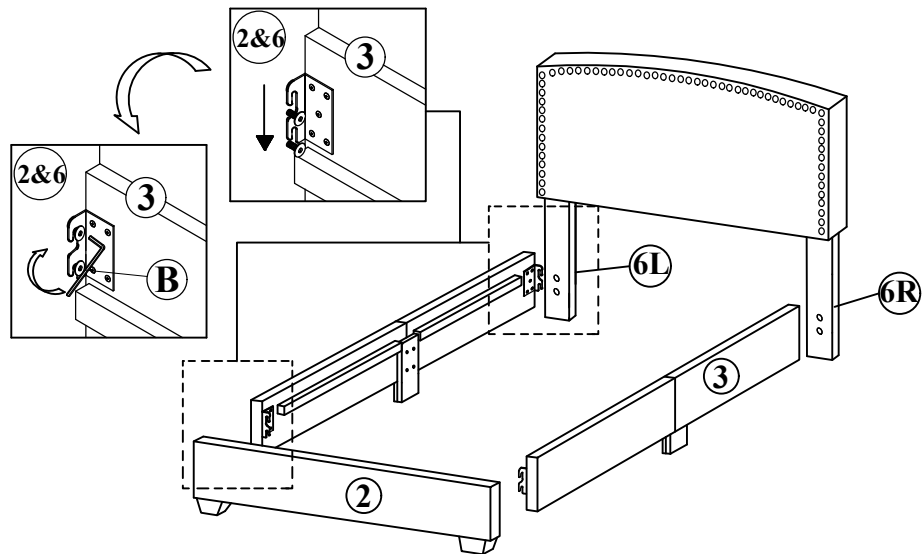


ASSEMBLY INSTRUCTIONS

STEP 3:

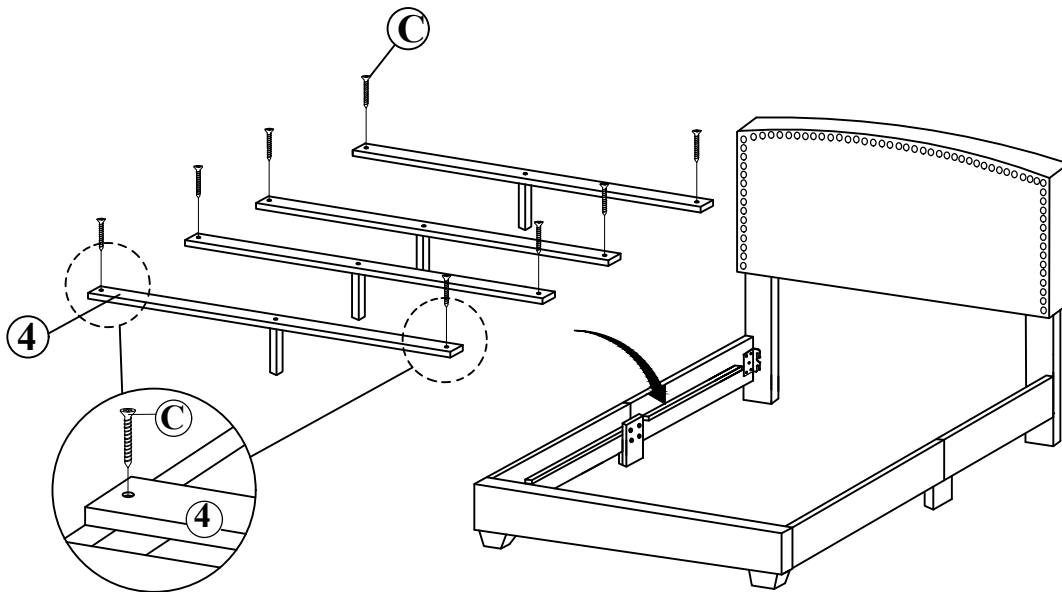


STEP 4:

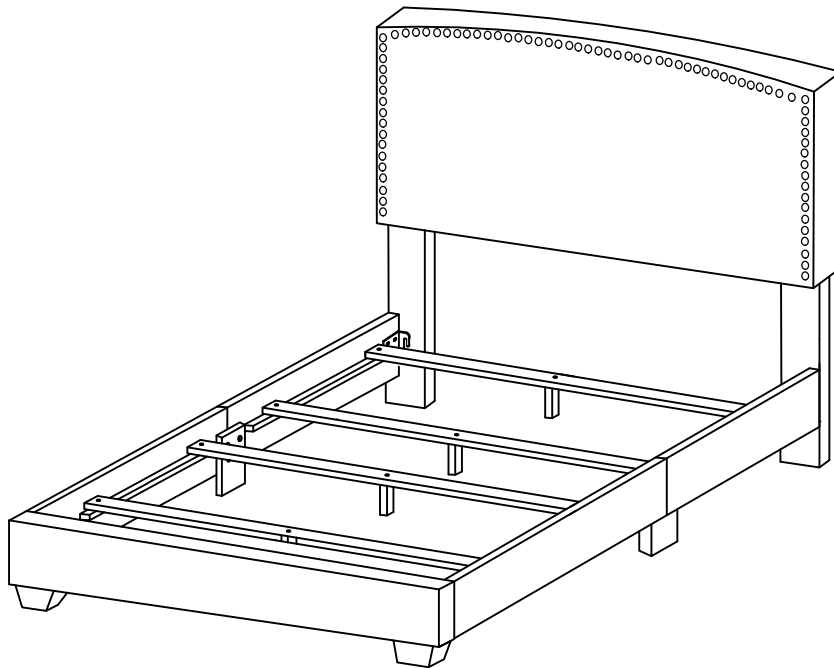


ASSEMBLY INSTRUCTIONS

STEP 5:



COMPLETE VIEW



IMPORTANT

Please lift up the bed to move with 2 or more people.
DO NOT DRAG THE BED !