

ASSEMBLY INSTRUCTION
FURNITURE

OFFICE DESK



ASSEMBLY INSTRUCTION

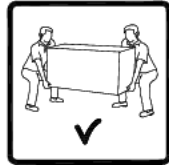
ASSEMBLY TIPS:

1. Remove hardware from box and sort by size.
2. Please check to see that all hardware and parts are present prior to start of assembly.
3. Please follow attached instructions in the same sequence as numbered to assure fast & easy assembly.



Warning!

1. Don't attempt to repair or modify parts that are broken or defective. Please contact the store immediately.
2. This product is for home use only and not intended for commercial establishment.



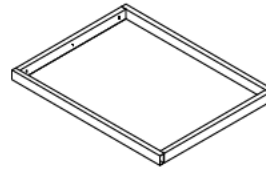
ASSEMBLY TIME PER UNIT: 60 MINUTES

PARTS IDENTIFICATION:

(A) LEFT SIDE PANEL		1PC	(I) LARGE RIGHT DRAWER SIDE PANEL		1PC
(B) RIGHT SIDE PANEL		1PC	(J) DRAWER BOTTOM PANEL		3PCS
(C) BOTTOM PANEL		1PC	(K) SMALL DRAWER FRONT PANEL		2PCS
(D) SMALL TOP PANEL		1PC	(L) SMALL DRAWER BACK PANEL		2PCS
(E) BACK PANEL		1PC	(M) SMALL LEFT DRAWER SIDE PANEL		2PCS
(F) LARGE DRAWER FRONT PANEL		1PC	(N) SMALL RIGHT DRAWER SIDE PANEL		2PCS
(G) LARGE DRAWER BACK PANEL		1PC	(O) LARGE TOP PANEL		1PC
(H) LARGE LEFT DRAWER SIDE PANEL		1PC	(P) BACK BRACE		1PC

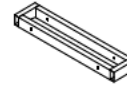
ASSEMBLY INSTRUCTION

(Q) LEG FRAME



1PC

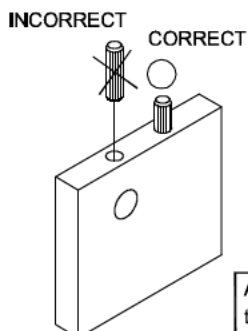
(R) SUPPORT



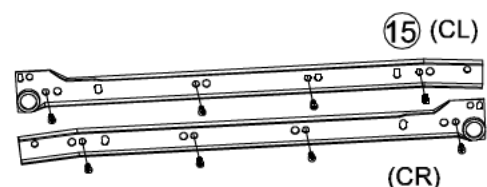
1PC

Z							
HARDWARE PACKAGE							
NO	DESCRIPTION	FIGURE	Q'TY	NO	DESCRIPTION	FIGURE	Q'TY
1	GLUE 15g		1PC	10	FOOT SCREW φ5x23mm		8PCS
2	WOODEN DOWEL φ8x30mm		20PCS	11	LONG SCREW φ4.5x42mm		6PCS
3	CAM LOCK φ15x12mm		12PCS	12	ALLEN BOLT M6 x 35mm		7PCS
4	CAM BOLT φ7x35.5mm		12PCS	13	ALLEN WRENCH		1PC
5	SCREW φ4.3x35mm		12PCS	14	STICKER φ20mm		2PCS
6	SHORT SCREW φ3x12mm		42PCS	15	GLIDES L = 400mm		3SET
7	HANDLE L=120mm		3PCS	16	IRON BAR φ4.8x405mm		2PCS
8	HANDLE BOLT φ4x28mm		6PCS	17	FLOOR PROTECTOR 40x20mm		2PCS
9	FOOT 50x50x18mm		4PCS				

Z7,Z8,Z9,Z15,Z16 not included in blister packaging.

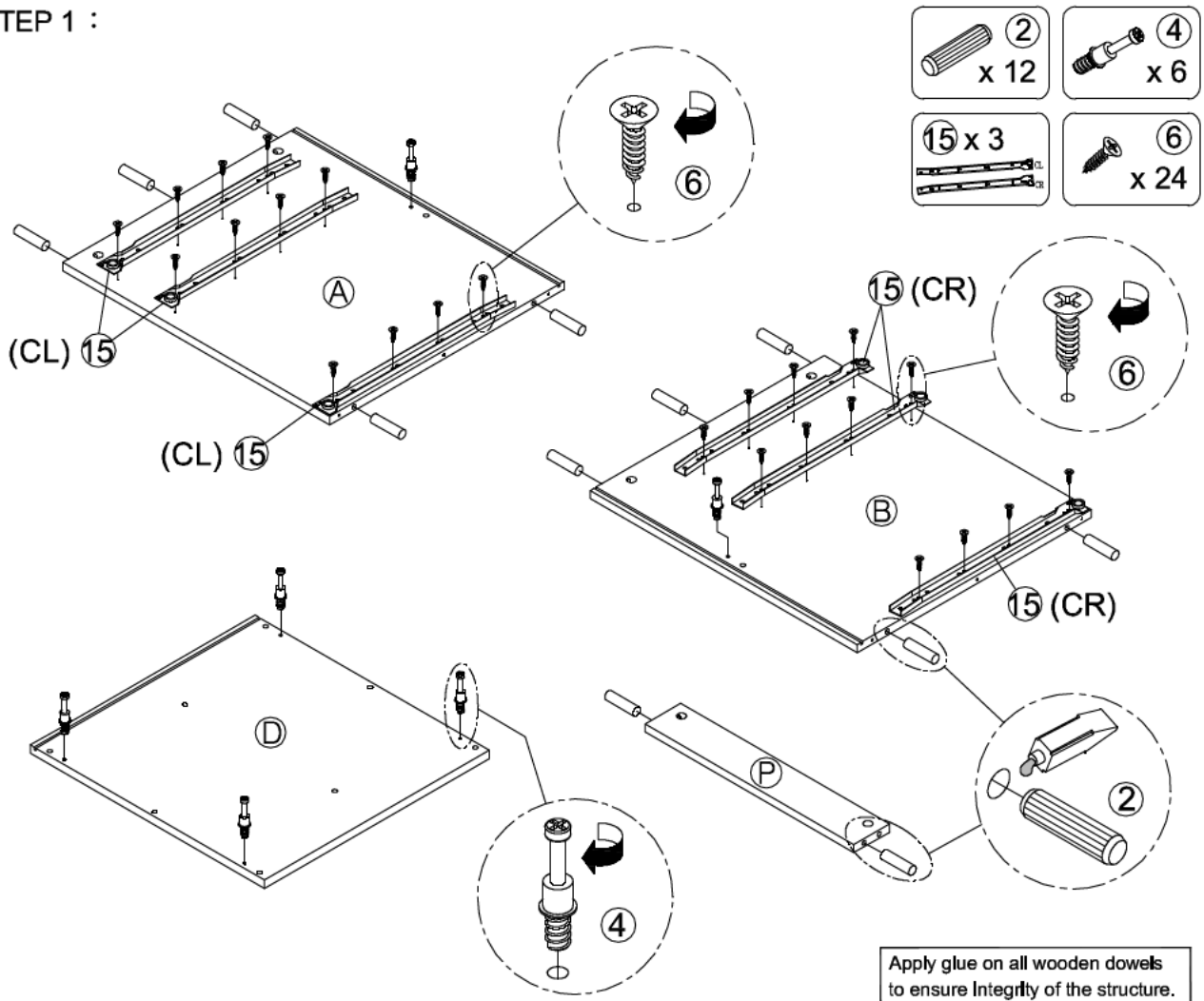


Apply glue on all wooden dowels to ensure integrity of the structure.

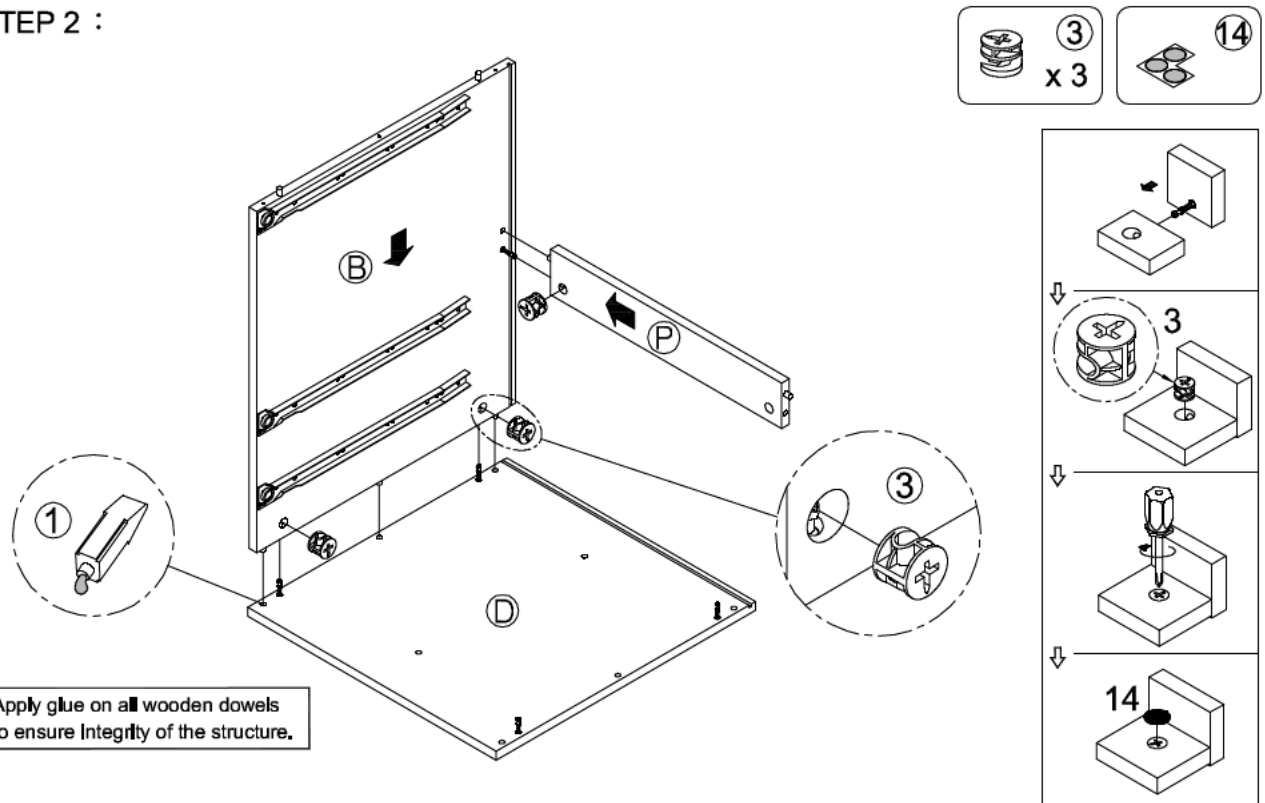


ASSEMBLY INSTRUCTION

STEP 1 :

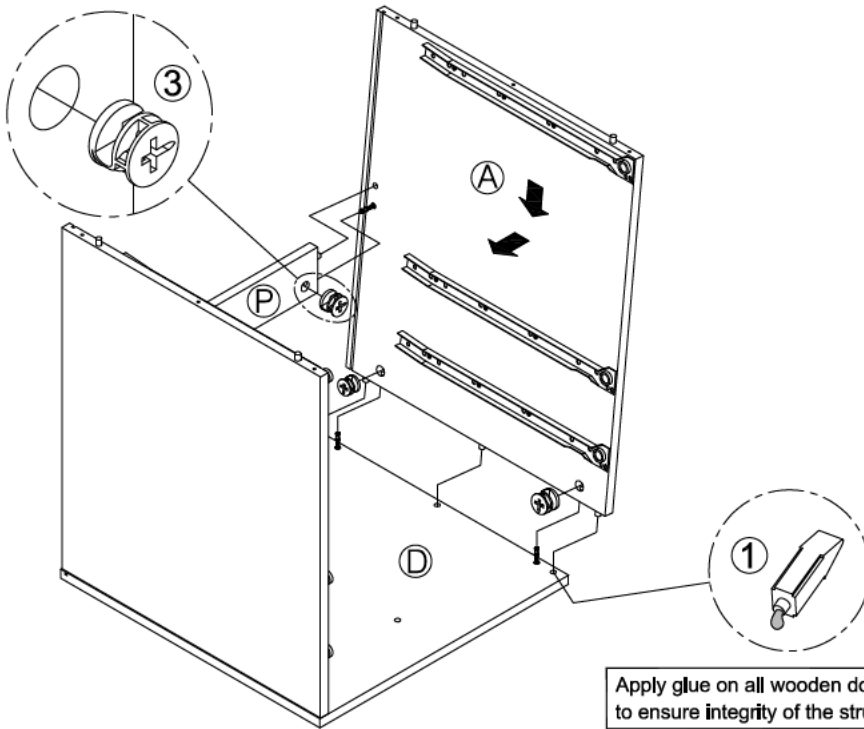
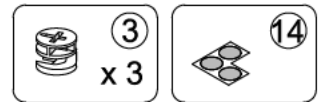


STEP 2 :

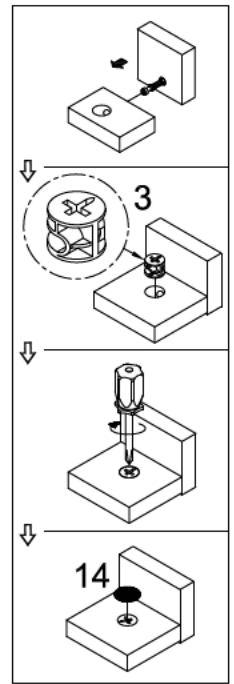


ASSEMBLY INSTRUCTION

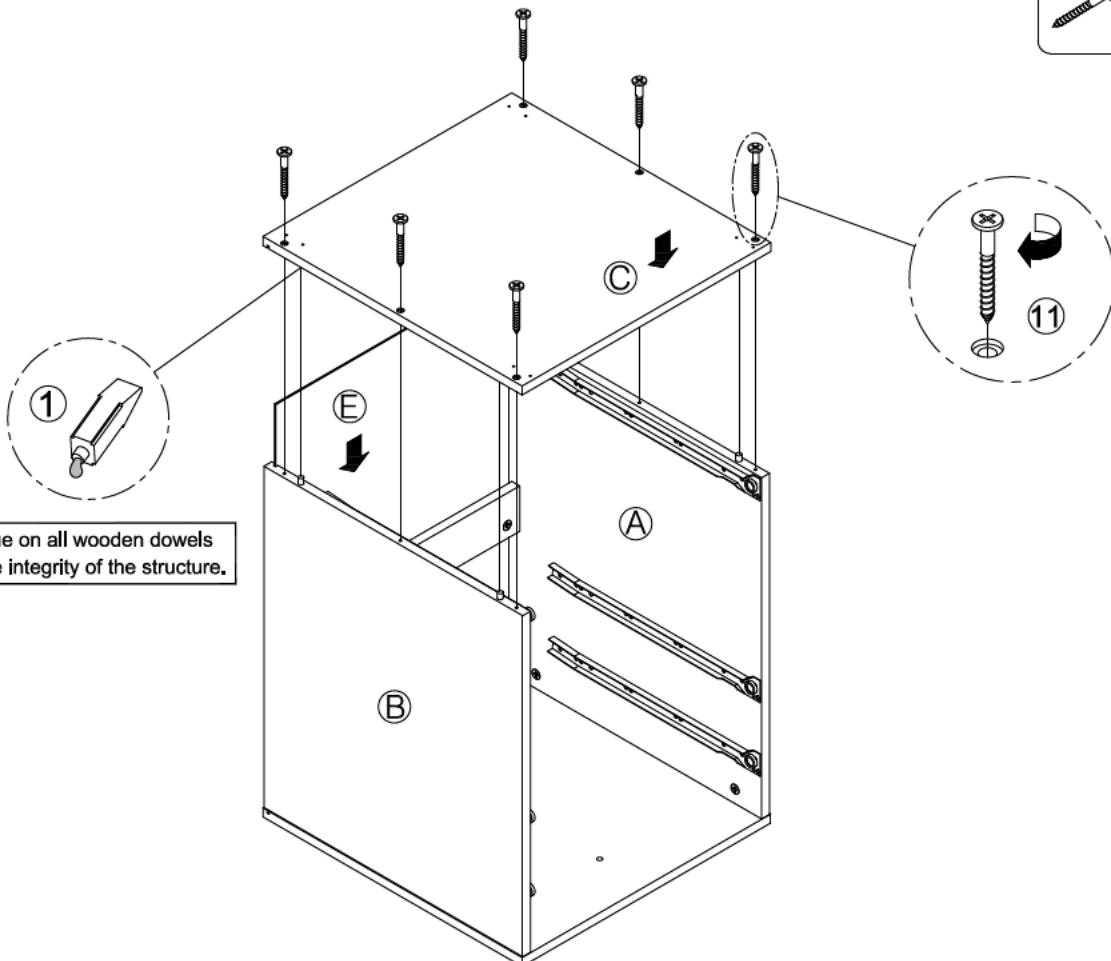
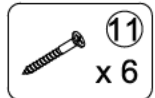
STEP 3 :



Apply glue on all wooden dowels to ensure integrity of the structure.

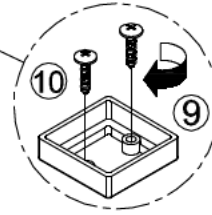
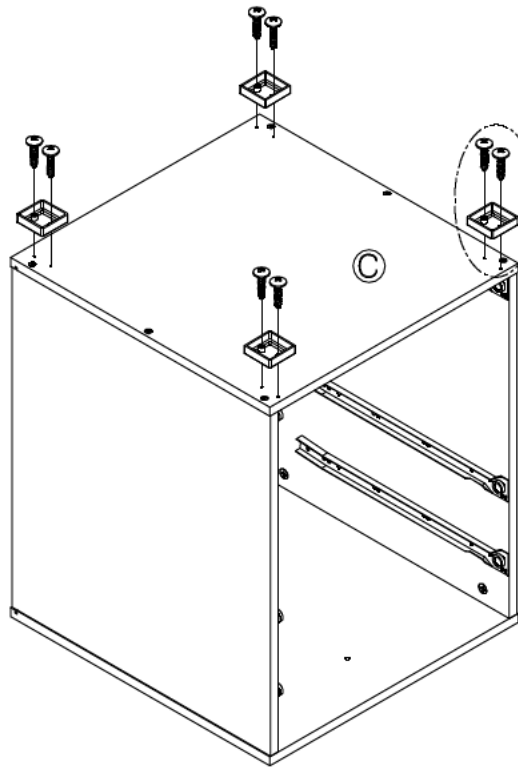


STEP 4 :

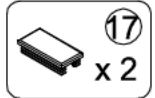
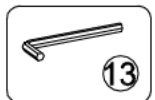
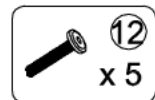
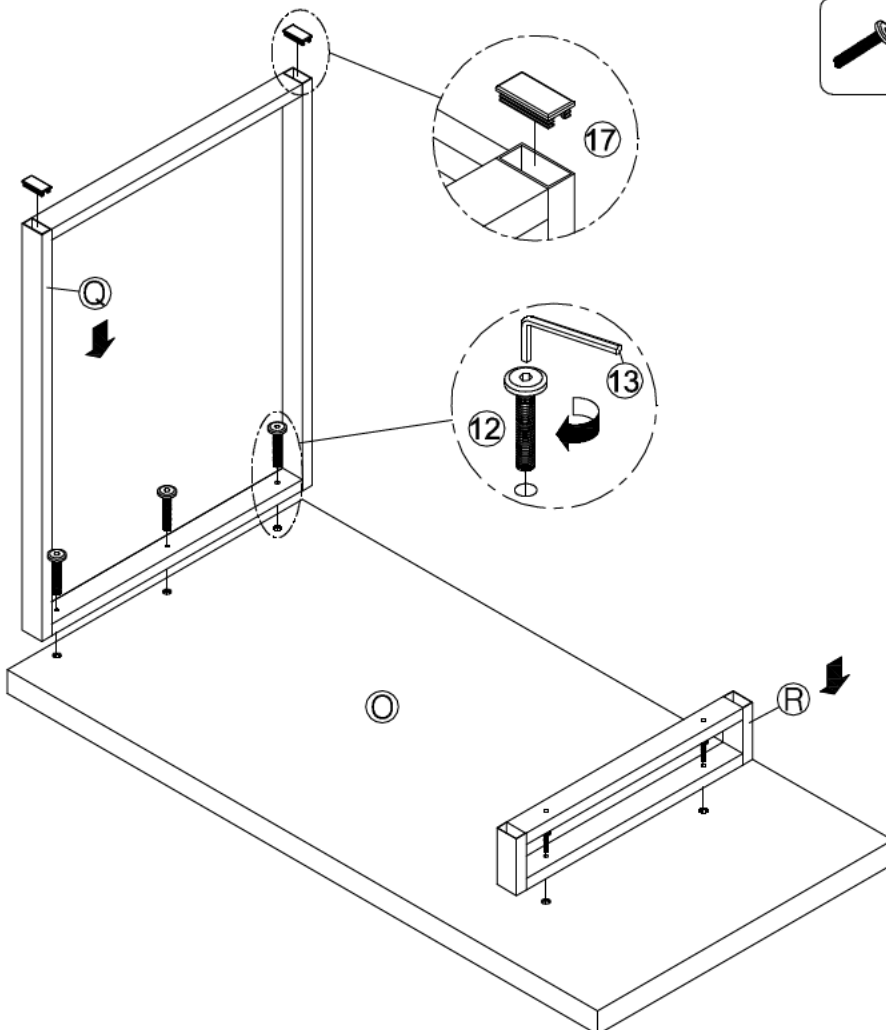


Apply glue on all wooden dowels to ensure integrity of the structure.

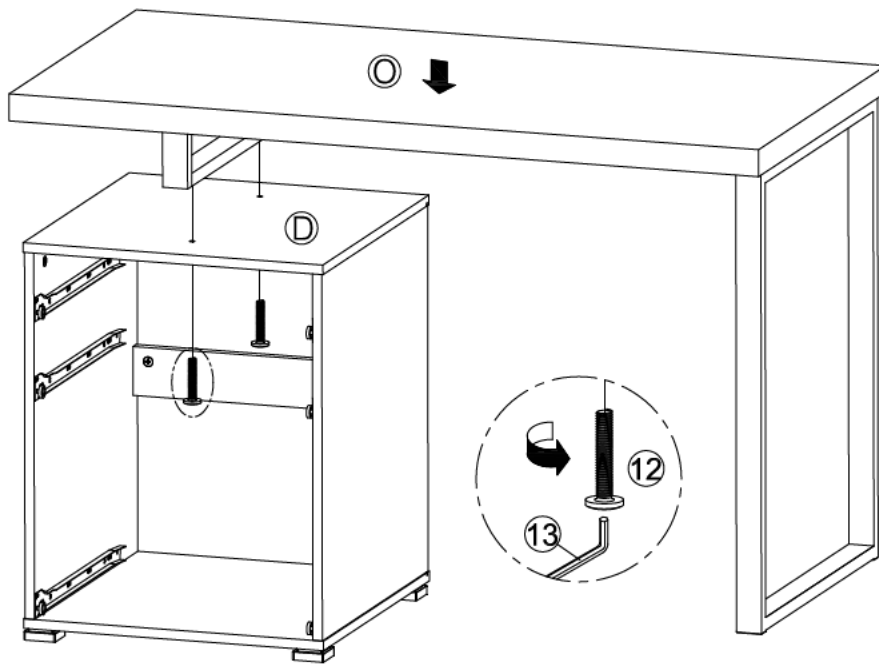
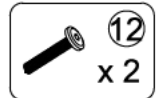
STEP 5 :



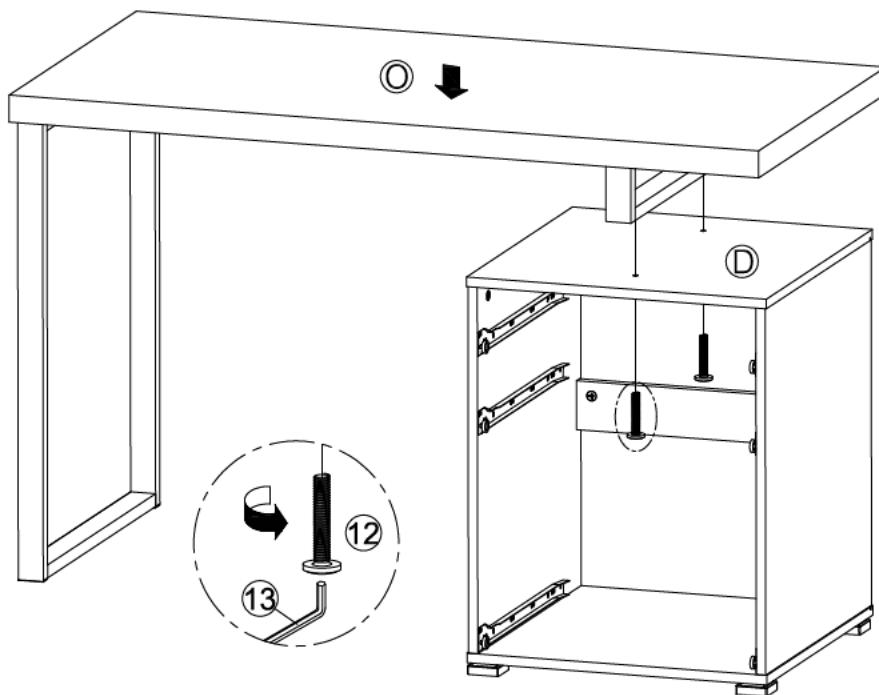
STEP 6 :



STEP 7 :



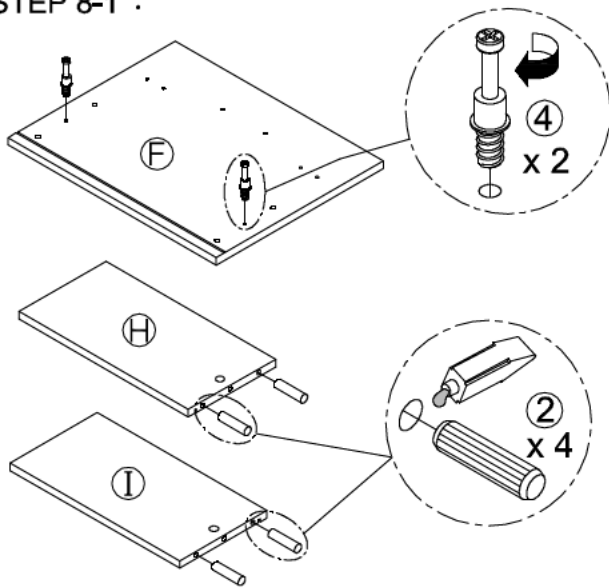
LEFT



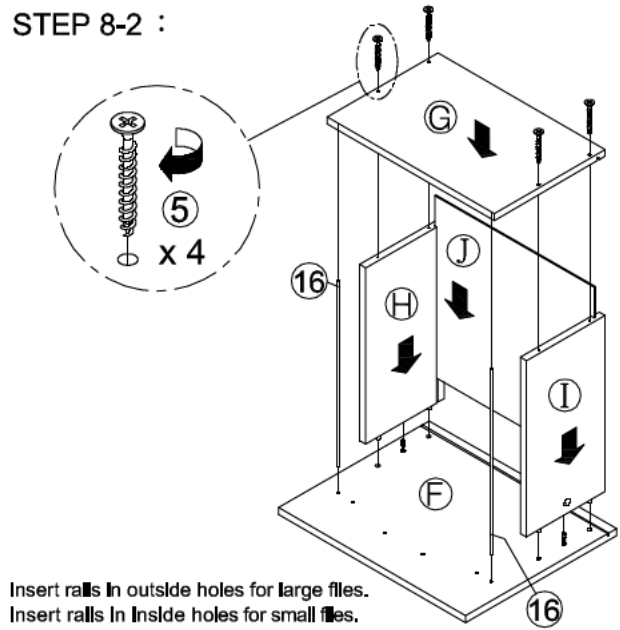
RIGHT

ASSEMBLY INSTRUCTION

STEP 8-1 :

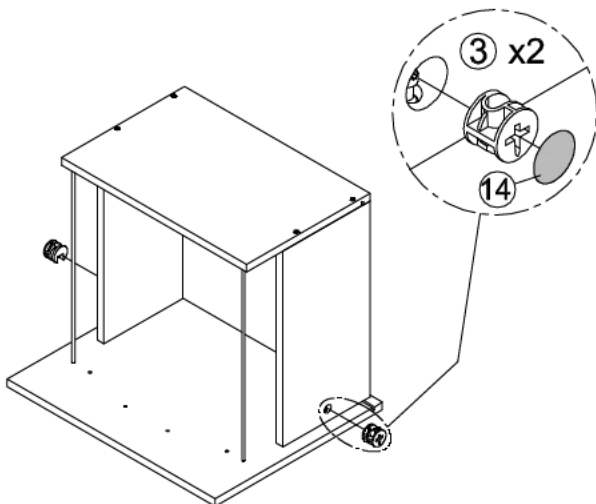


STEP 8-2 :

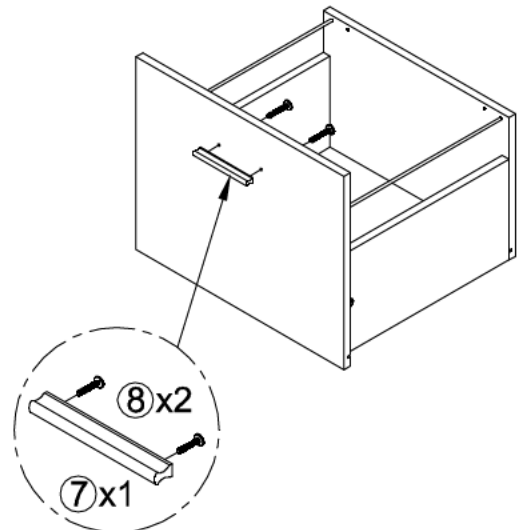


Insert rails in outside holes for large files.
Insert rails in inside holes for small files.

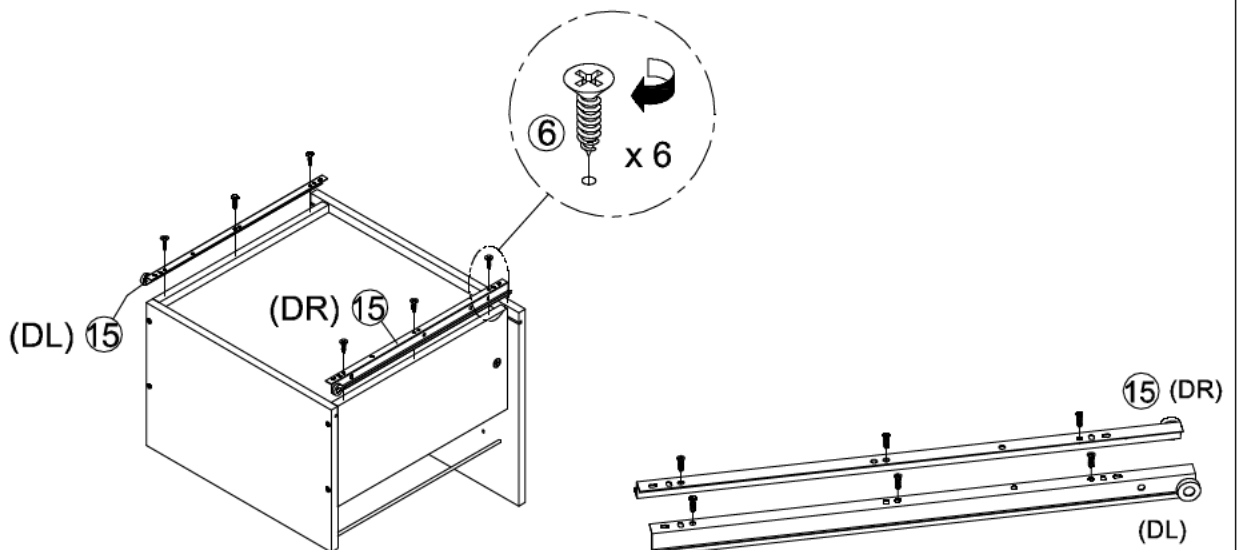
STEP 8-3 :



STEP 8-4 :

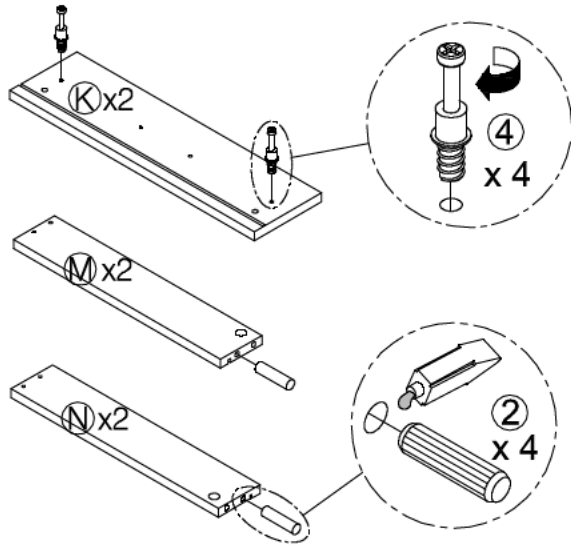


STEP 8-5 :

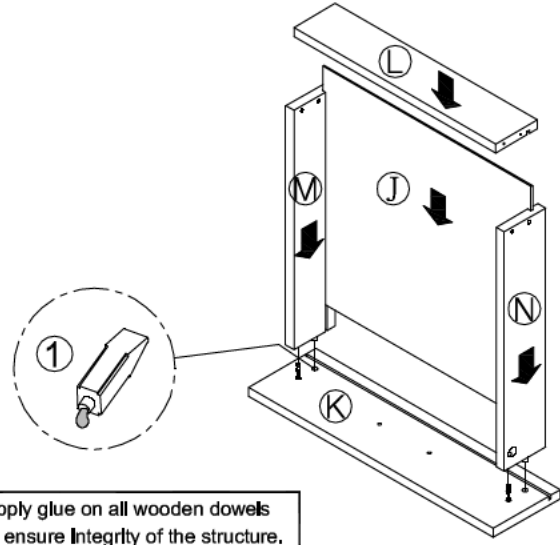


ASSEMBLY INSTRUCTION

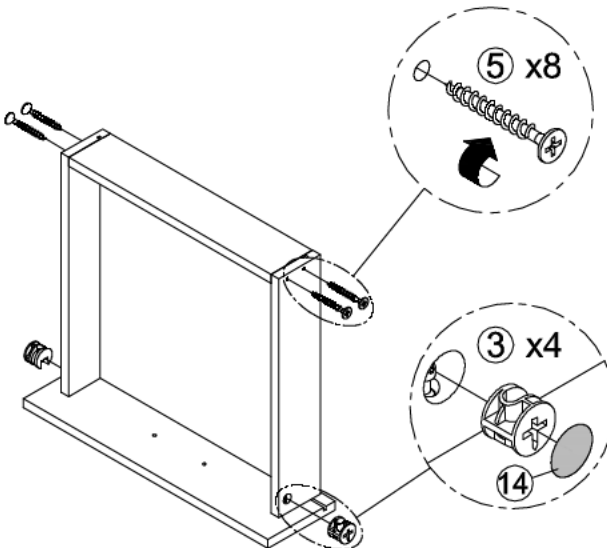
STEP 9-1 :



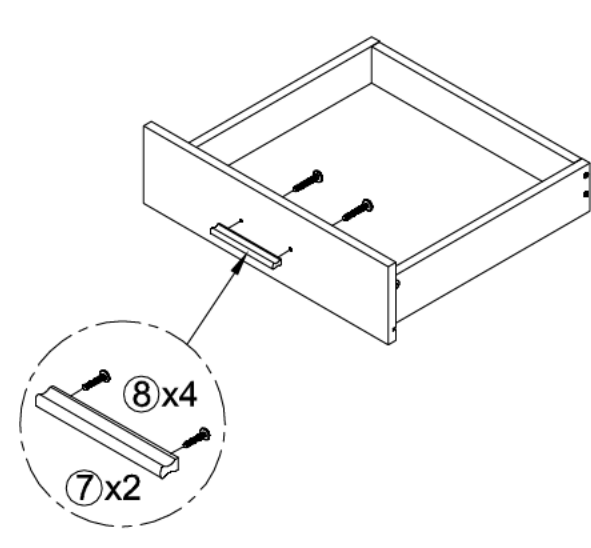
STEP 9-2 :



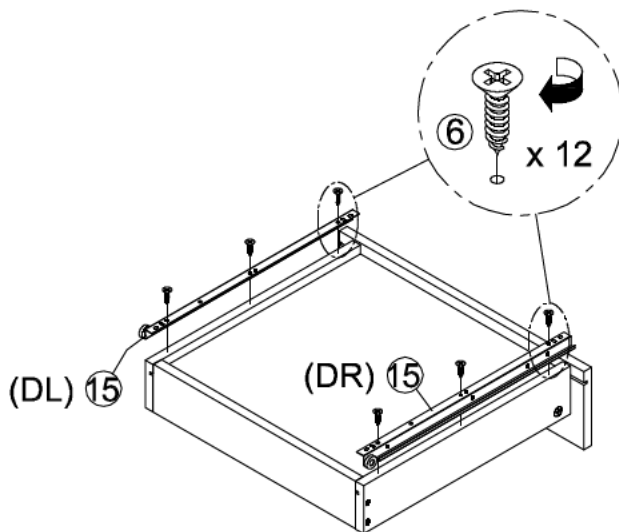
STEP 9-3 :



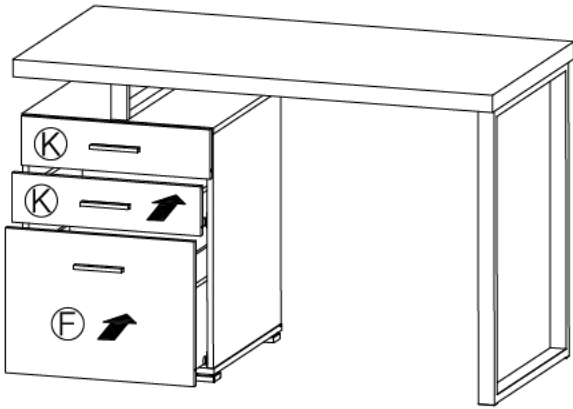
STEP 9-4 :



STEP 9-5 :

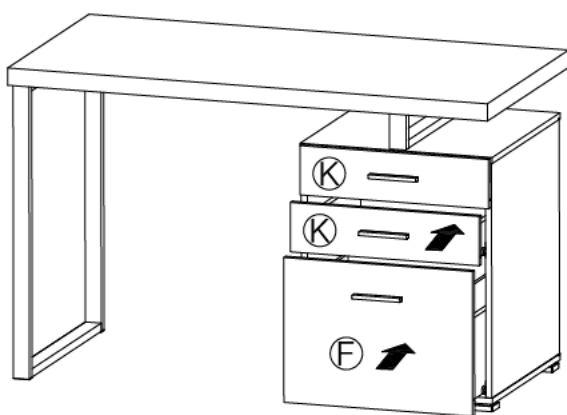
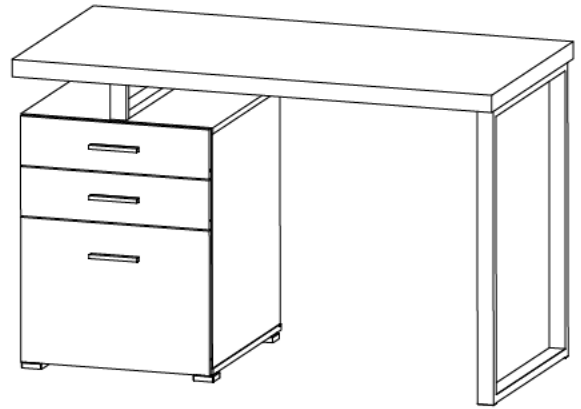


STEP 10 :



LEFT

FINISH



RIGHT

